



US00D719252S

(12) **United States Design Patent**
Allen et al.

(10) **Patent No.:** **US D719,252 S**
(45) **Date of Patent:** **** Dec. 9, 2014**

(54) **CEILING FAN**

(75) Inventors: **Philip Allen**, Wahroonga (AU); **David Stocks**, Bensville (AU); **Scott Ibbotson**, Pennant Hills (AU)

(73) Assignee: **Hunter Pacific International Pty Ltd**, Dural NSW (AU)

(**) Term: **14 Years**

(21) Appl. No.: **29/424,194**

(22) Filed: **Jun. 8, 2012**

(30) **Foreign Application Priority Data**

Dec. 9, 2011 (AU) 15618/2011

(51) **LOC (10) Cl.** **23-04**

(52) **U.S. Cl.**
USPC **D23/385**

(58) **Field of Classification Search**

CPC F04D 25/088; F04D 25/08; F04D 29/34;
F04D 29/005; F04D 29/646; F04D 29/263;
F04D 25/06; F04D 29/20; F04D 29/242;
F04D 29/325; F04D 29/38; F04D 19/002;
F04D 1/04; F04D 29/322; Y02E 10/721;
F21V 33/0096; F21V 21/03; F21Y 2103/022;
F21Y 2103/02; F03D 1/0691; F03D 3/005;
F03D 1/0666; F03D 1/0675; F03D 3/002;
F05B 2250/25

USPC D23/385, 370-384, 411-414, 386-394,
D23/499; D26/51, 59, 72, 73, 80-86, 88,
D26/90; 165/244; 362/96; 416/5, 170 R,
416/214 R, 184; 417/423.1; 392/364

See application file for complete search history.

(56) **References Cited**

U.S. PATENT DOCUMENTS

D90,938 S *	10/1933	Beck	D26/88
2,739,780 A	3/1956	Richards		
4,073,598 A *	2/1978	Mizutani et al.	416/5
4,592,702 A *	6/1986	Bogage	416/247 R
4,634,345 A	1/1987	Stanek et al.		
4,697,777 A	10/1987	Yang		
D298,454 S	11/1988	Clyde-Mason		
D298,931 S	12/1988	Sekiguchi		
D312,687 S	12/1990	Mason et al.		
D321,933 S	11/1991	Markwardt et al.		
5,069,433 A	12/1991	Womack		
D328,639 S	8/1992	Hsieh		
D328,785 S	8/1992	Markwardt		
D329,087 S	9/1992	Markwardt		
D342,311 S	12/1993	Rezek		
D357,978 S *	5/1995	Young	D23/377

(Continued)

OTHER PUBLICATIONS

Notice of Allowance for U.S. Appl. No. 29/424,184, mailed Aug. 7, 2013, 8 pages.

(Continued)

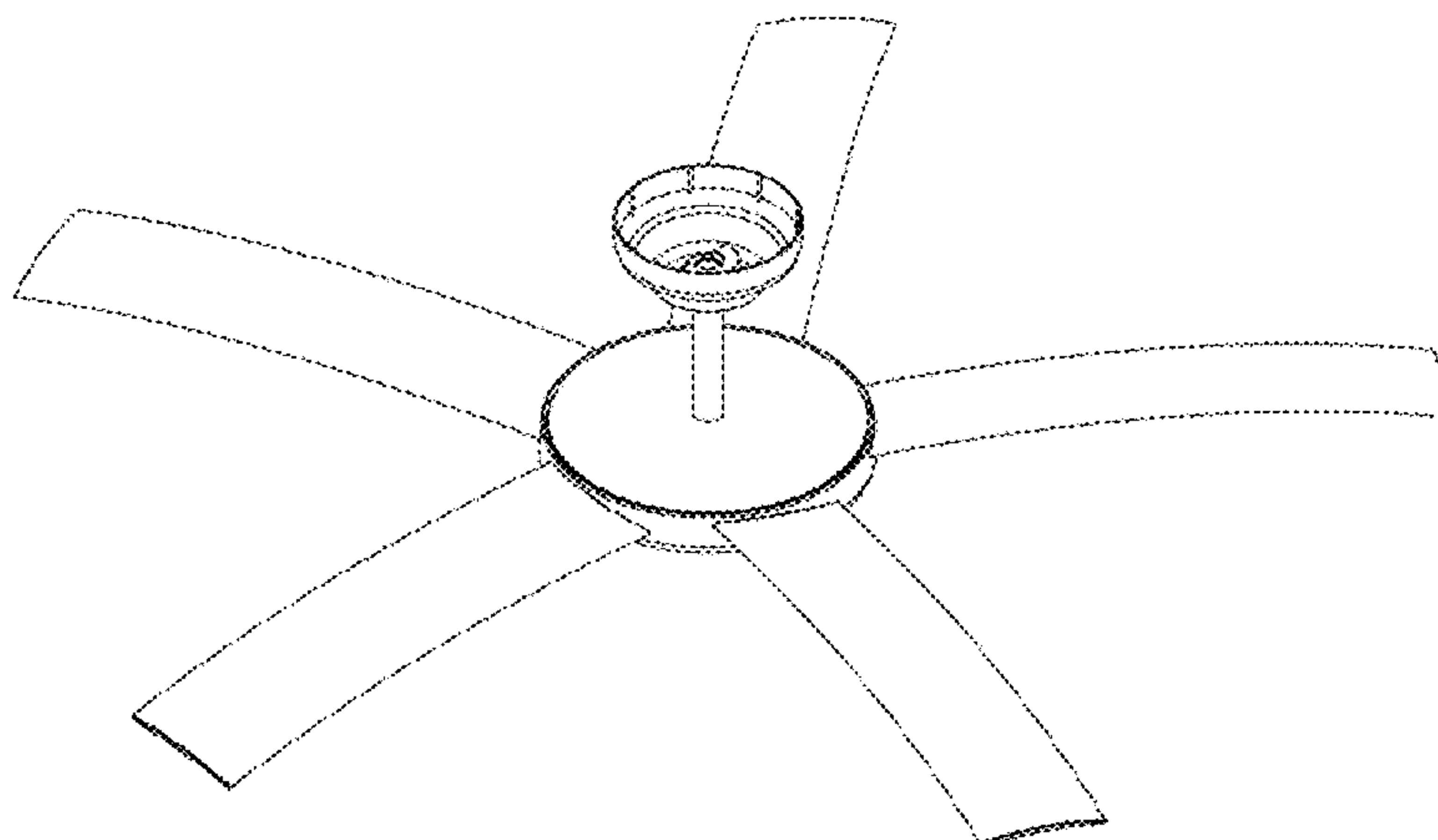
Primary Examiner — Susan Bennett Hattan
Assistant Examiner — Marie Fast Horse
(74) *Attorney, Agent, or Firm* — Sheridan Ross P.C.

(57) **CLAIM**
The ornamental design for a ceiling fan, as shown.

DESCRIPTION

FIG. 1 is a top perspective view of the ceiling fan;
FIG. 2 is a bottom perspective view thereof;
FIG. 3 is a front elevation view thereof;
FIG. 4 is a rear elevation view thereof;
FIG. 5 is a top plan view thereof;
FIG. 6 is a bottom plan view thereof;
FIG. 7 is a left side view thereof; and,
FIG. 8 is a right side view thereof.

1 Claim, 8 Drawing Sheets



(56)

References Cited

U.S. PATENT DOCUMENTS

D358,365 S 5/1995 Rodeffer et al.
 D361,377 S 8/1995 Tsuji
 D372,080 S * 7/1996 Dolan D23/411
 D385,026 S 10/1997 Liu
 D386,257 S 11/1997 Liu
 D387,149 S 12/1997 Tsuji
 D389,908 S * 1/1998 Dolan D23/411
 D391,661 S * 3/1998 Pan D26/86
 D396,531 S 7/1998 Lieu
 D408,515 S 4/1999 Evans
 D420,733 S 2/2000 Chen
 6,042,072 A 3/2000 Chi-Nan
 D424,680 S * 5/2000 Wenzlick D23/377
 D430,330 S * 8/2000 Hammar D26/88
 6,139,279 A 10/2000 Pearce et al.
 D441,119 S * 4/2001 Crosby D26/85
 D441,483 S * 5/2001 Schaefer et al. D26/85
 D442,315 S * 5/2001 Schaefer et al. D26/85
 D453,216 S 1/2002 Gajewski
 D464,164 S * 10/2002 Thompson D26/89
 D476,406 S 6/2003 Friedes
 D476,728 S 7/2003 Gajewski
 D478,974 S * 8/2003 Hidalgo D23/377
 D485,002 S * 1/2004 Lin D26/85
 D492,053 S * 6/2004 Graves et al. D26/51
 6,877,703 B2 4/2005 Tang
 6,885,797 B2 4/2005 Lee et al.
 D510,426 S 10/2005 Garcia, Jr.
 6,971,854 B2 * 12/2005 Krakowski 416/146 R
 6,981,678 B2 1/2006 Fu-Liang
 D514,731 S * 2/2006 Engel D26/88
 7,050,306 B1 5/2006 Ribeiro et al.
 7,080,813 B1 7/2006 Frampton et al.
 D530,039 S * 10/2006 Blackman D26/85
 D541,970 S * 5/2007 Blackman D26/81
 D544,441 S 6/2007 Sichner et al.
 D544,836 S 6/2007 Sichner et al.
 D545,762 S 7/2007 Sichner et al.
 7,261,520 B2 8/2007 Wang
 D559,785 S 1/2008 Tosetti
 D564,123 S * 3/2008 Porter D26/84
 D566,258 S 4/2008 Bucher et al.
 D571,736 S 6/2008 Copeland et al.
 D587,656 S 3/2009 Shen et al.
 7,510,160 B1 3/2009 Wang
 D590,489 S * 4/2009 Bucher et al. D23/377
 7,527,232 B2 5/2009 Frampton et al.
 D593,962 S 6/2009 Ross et al.
 D597,198 S 7/2009 Parker et al.
 D599,461 S * 9/2009 Ertze D23/377
 D601,092 S 9/2009 Rupp et al.
 D605,128 S 12/2009 Gribble et al.
 D605,751 S 12/2009 Yang
 D608,737 S 1/2010 Upham et al.
 D609,799 S * 2/2010 Lee D23/377
 7,665,967 B1 2/2010 Parker et al.
 D611,136 S 3/2010 Orozco
 D615,183 S 5/2010 Parker et al.
 D625,252 S 10/2010 Nguyen et al.
 D627,051 S * 11/2010 Pan D23/411
 D628,687 S 12/2010 Yao
 7,874,860 B2 1/2011 Starke et al.
 D631,955 S * 2/2011 Vilella et al. D23/411
 7,927,071 B2 4/2011 Parker et al.
 7,969,744 B2 6/2011 Mathes et al.

D645,135 S * 9/2011 Orozco D23/413
 8,107,243 B2 1/2012 Guccione et al.
 D660,806 S 5/2012 Wong
 D660,953 S * 5/2012 Allen et al. D23/377
 D663,829 S * 7/2012 Allen et al. D23/377
 8,241,017 B2 * 8/2012 Yamamoto et al. 417/423.1
 D675,570 S 2/2013 Muller
 D676,388 S 2/2013 Muller
 D679,794 S 4/2013 Allen et al.
 D679,795 S * 4/2013 Allen et al. D23/377
 2005/0006549 A1 1/2005 Liu
 2008/0224013 A1 9/2008 Huang
 2008/0260345 A1 10/2008 Mertendorf et al.
 2009/0034165 A1 2/2009 Tyler et al.
 2009/0053061 A1 2/2009 Wang
 2009/0141458 A1 6/2009 Liu et al.
 2009/0294620 A1 12/2009 Lin
 2011/0031367 A1 2/2011 Wang
 2011/0031368 A1 2/2011 Wang
 2011/0052411 A1 * 3/2011 Yamamoto et al. 416/244 R
 2011/0103025 A1 5/2011 Ross et al.
 2011/0305571 A1 * 12/2011 Heim et al. 416/62
 2012/0070223 A1 3/2012 Wimberley
 2012/0162929 A1 6/2012 Huang
 2012/0307459 A1 12/2012 Sakuma et al.
 2013/0136603 A1 * 5/2013 Kuramochi et al. 416/170 R
 2013/0272879 A1 * 10/2013 Chen 416/5

OTHER PUBLICATIONS

U.S. Appl. No. 29/424,183, filed Jun. 8, 2012, Allen et al.
 U.S. Appl. No. 29/424,184, filed Jun. 8, 2012, Allen et al.
 U.S. Appl. No. 29/424,185, filed Jun. 8, 2012, Allen et al.
 U.S. Appl. No. 29/424,186, filed Jun. 8, 2012, Allen et al.
 U.S. Appl. No. 29/424,188, filed Jun. 8, 2012, Allen et al.
 U.S. Appl. No. 29/424,189, filed Jun. 8, 2012, Allen et al.
 U.S. Appl. No. 29/424,191, filed Jun. 8, 2012, Allen et al.
 U.S. Appl. No. 29/424,193, filed Jun. 8, 2012, Allen et al.
 Official Action for U.S. Appl. No. 29/424,183 mailed Feb. 26, 2014, 6 pages.
 Official Action for U.S. Appl. No. 29/424,185 mailed Feb. 12, 2014, 7 pages.
 Official Action for U.S. Appl. No. 29/424,186 mailed Dec. 20, 2013, 10 pages.
 Official Action for U.S. Appl. No. 29/424,186 mailed Mar. 25, 2014, 8 pages.
 Notice of Allowance for U.S. Appl. No. 29/424,189 mailed Dec. 17, 2013, 12 pages.
 Official Action for U.S. Appl. No. 29/424,193 mailed Nov. 27, 2013, 7 pages.
 Notice of Allowance for U.S. Appl. No. 29/424,193 mailed Mar. 6, 2014, 8 pages.
 Official Action for U.S. Appl. No. 29/424,183 mailed Apr. 21, 2014, 5 pages.
 Notice of Allowance for U.S. Appl. No. 29/424,183 mailed May 13, 2014, 5 pages.
 Official Action for U.S. Appl. No. 29/424,185 mailed Apr. 28, 2014, 5 pages.
 Notice of Allowance for U.S. Appl. No. 29/424,185 mailed May 15, 2014, 5 pages.
 Notice of Allowance for U.S. Appl. No. 29/424,186 mailed May 12, 2014, 5 pages.
 Notice of Allowance for U.S. Appl. No. 29/424,188 mailed May 23, 2014, 9 pages.

* cited by examiner

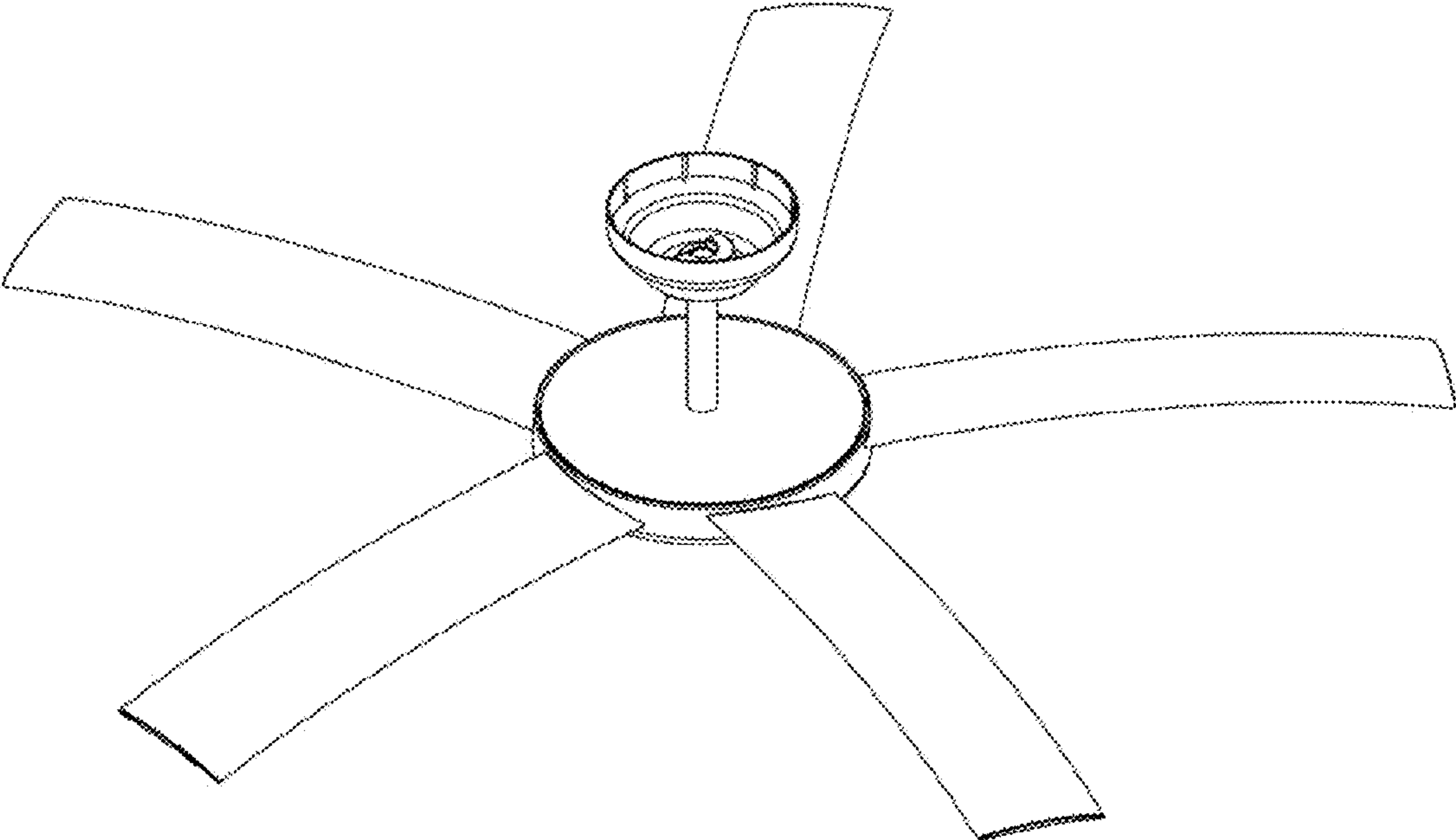


FIG. 1

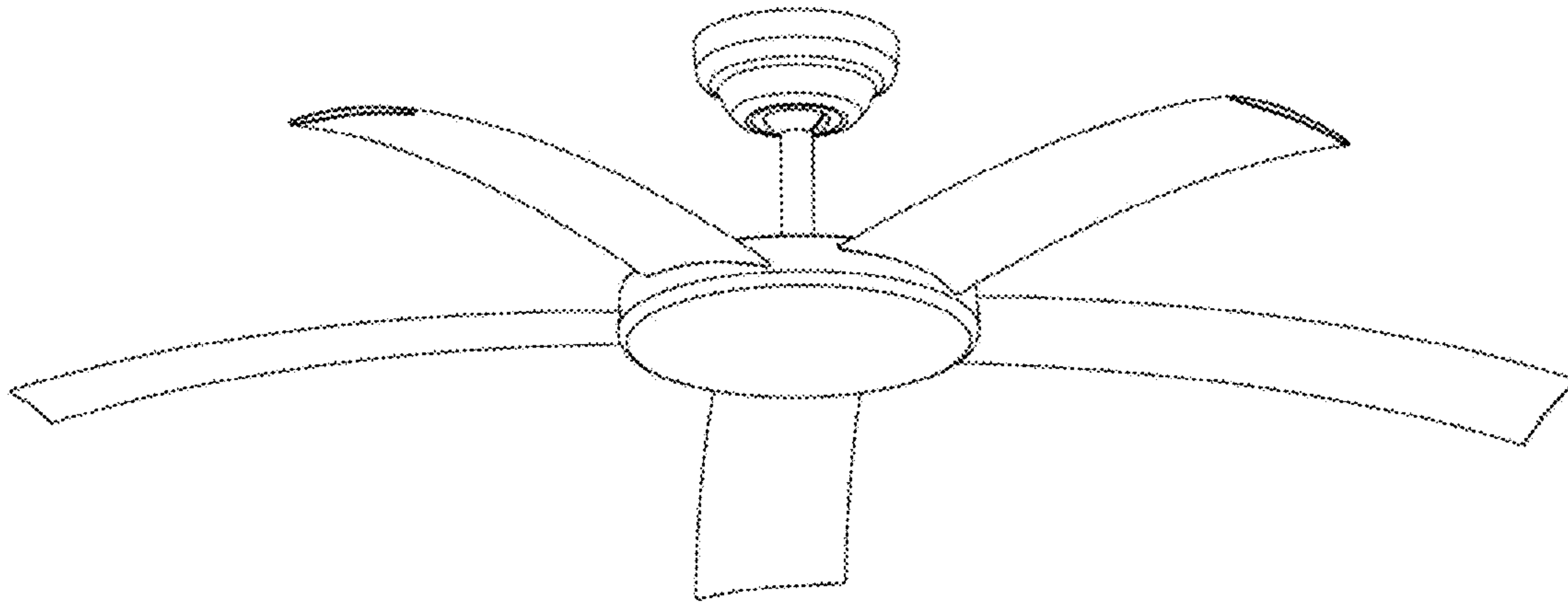


FIG. 2

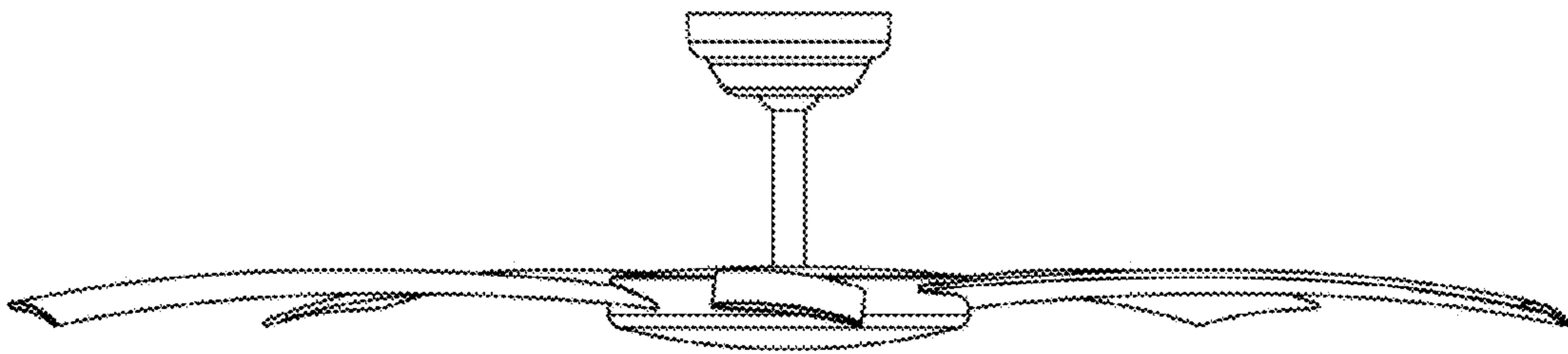


FIG. 3

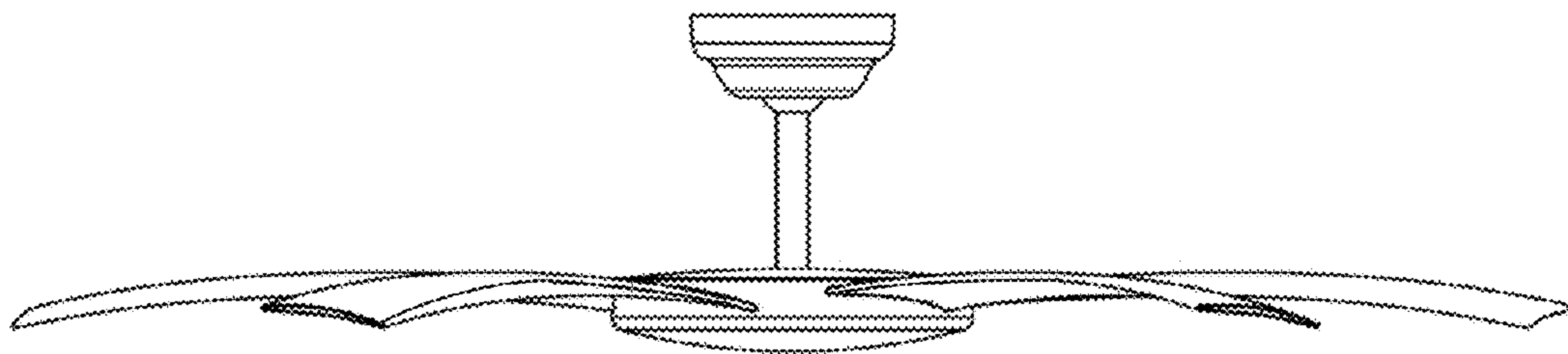


FIG. 4

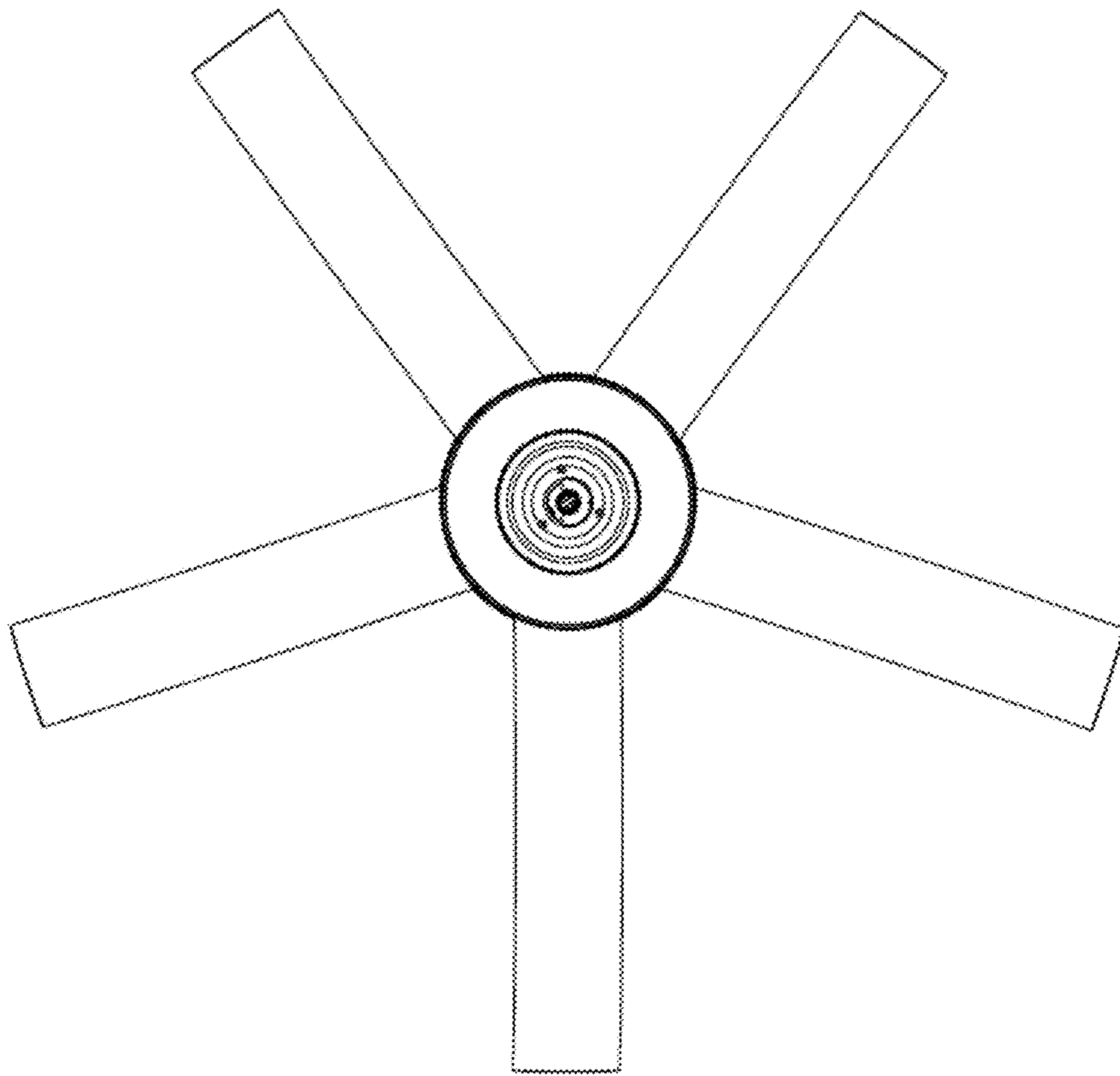


FIG. 5

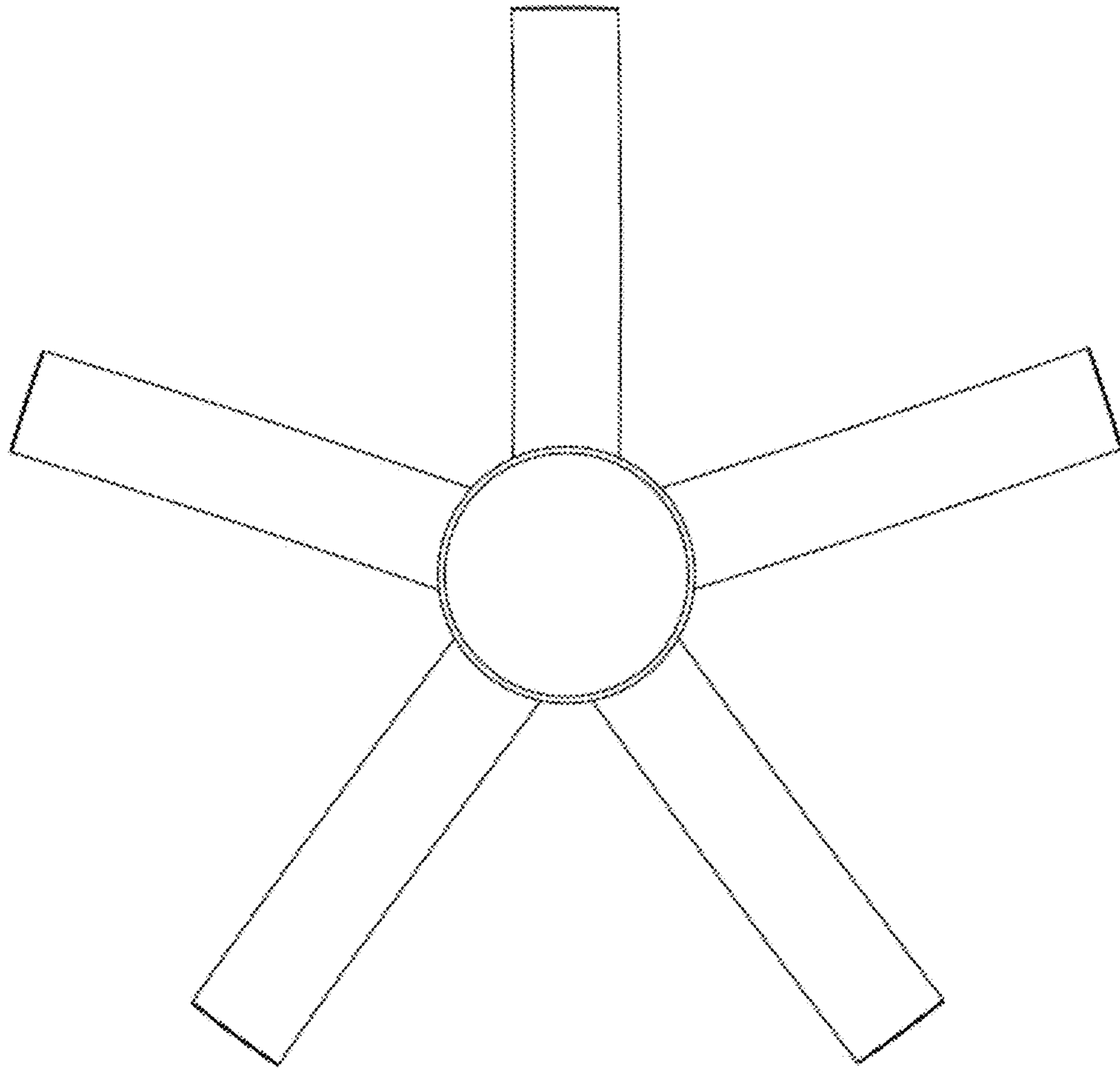


FIG. 6

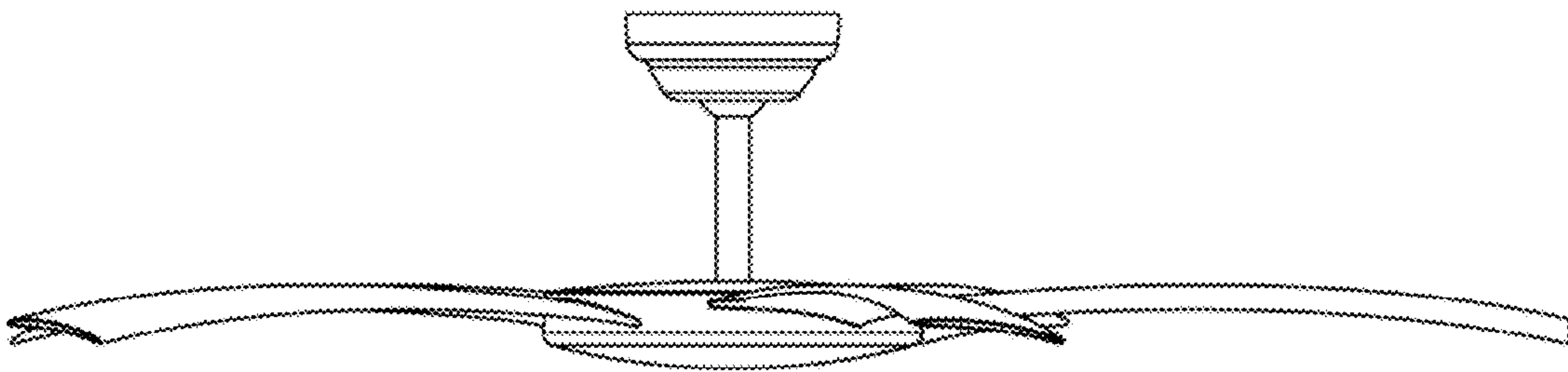


FIG. 7

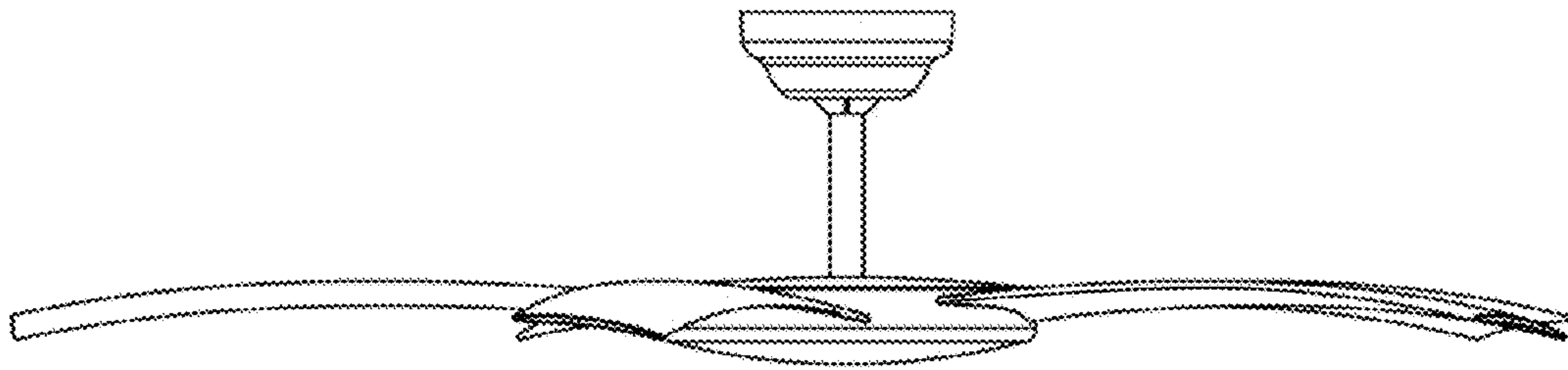


FIG. 8