



US00D719251S

(12) **United States Design Patent**
Farone et al.

(10) **Patent No.:** **US D719,251 S**
(45) **Date of Patent:** **** Dec. 9, 2014**

- (54) **PLUGGABLE WALL AIR PURIFIER**
- (71) Applicants: **Richard C. Farone**, Willoughby, OH (US); **Cynthia Caffoe**, Aurora, OH (US)
- (72) Inventors: **Richard C. Farone**, Willoughby, OH (US); **Cynthia Caffoe**, Aurora, OH (US)
- (73) Assignee: **Gaurdian Technologies LLC**, Mentor, OH (US)

(**) Term: **14 Years**

(21) Appl. No.: **29/484,881**

(22) Filed: **Mar. 13, 2014**

(51) **LOC (10) Cl.** **23-04**

(52) **U.S. Cl.**
USPC **D23/364**

(58) **Field of Classification Search**
USPC D23/355-366, 352, 369, 332, 333, 335, D23/336, 342, 351; 422/120, 122; 55/356, 55/473, 504; 96/97; D18/34.6; 261/DIG. 17, DIG. 65, DIG. 88, DIG. 31
See application file for complete search history.

(56) **References Cited**

U.S. PATENT DOCUMENTS

- D594,948 S * 6/2009 Lewis D23/314
- D603,497 S * 11/2009 Choi D23/364
- D643,520 S * 8/2011 Choi D23/364

- D648,018 S * 11/2011 Sordo D23/366
- D657,034 S * 4/2012 Chouji D23/351
- D657,857 S * 4/2012 Choi D23/364
- D662,578 S * 6/2012 Blanking et al. D23/366
- D675,306 S * 1/2013 Bartolucci et al. D23/366
- D688,364 S * 8/2013 Gammon et al. D23/366
- D698,431 S * 1/2014 Garbusi et al. D23/366
- D698,912 S * 2/2014 Garbusi et al. D23/366
- D701,596 S * 3/2014 Yoo et al. D23/351
- D712,532 S * 9/2014 Adair et al. D23/366

* cited by examiner

Primary Examiner — David Muller

(74) *Attorney, Agent, or Firm* — Calfee Halter and Griswold LLP

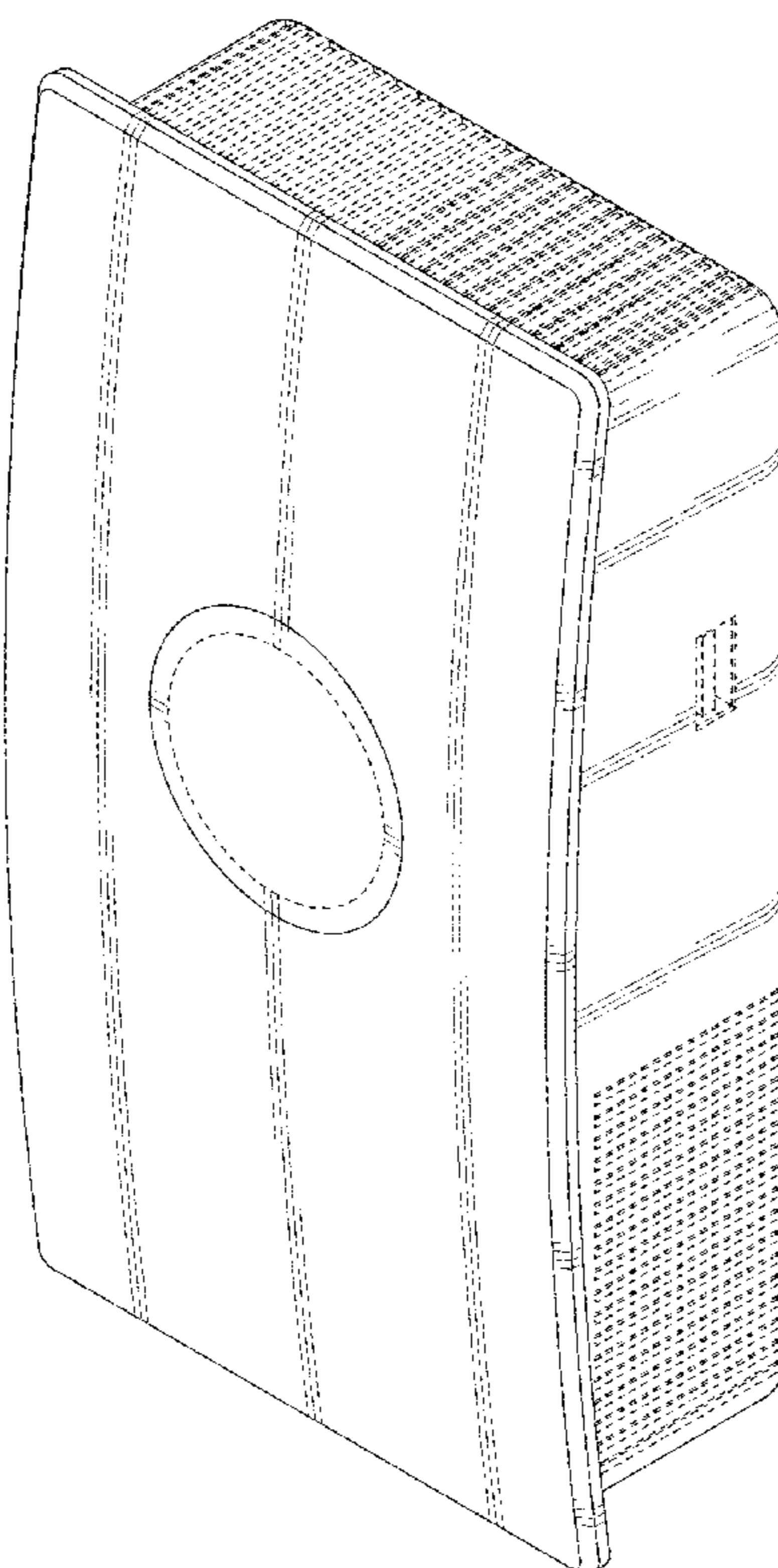
(57) **CLAIM**

The ornamental design for a pluggable wall air purifier, as shown and described.

DESCRIPTION

FIG. 1 is a perspective view of a pluggable wall air purifier of the new design;
 FIG. 2 is left side elevation view thereof;
 FIG. 3 is a front elevation thereof;
 FIG. 4 is a right side elevation view thereof;
 FIG. 5 is a rear elevation view thereof;
 FIG. 6 is top plan view thereof; and,
 FIG. 7 is bottom plan view thereof.
 The features shown in broken lines depict environmental subject matter only and form no part of the claimed design.

1 Claim, 4 Drawing Sheets



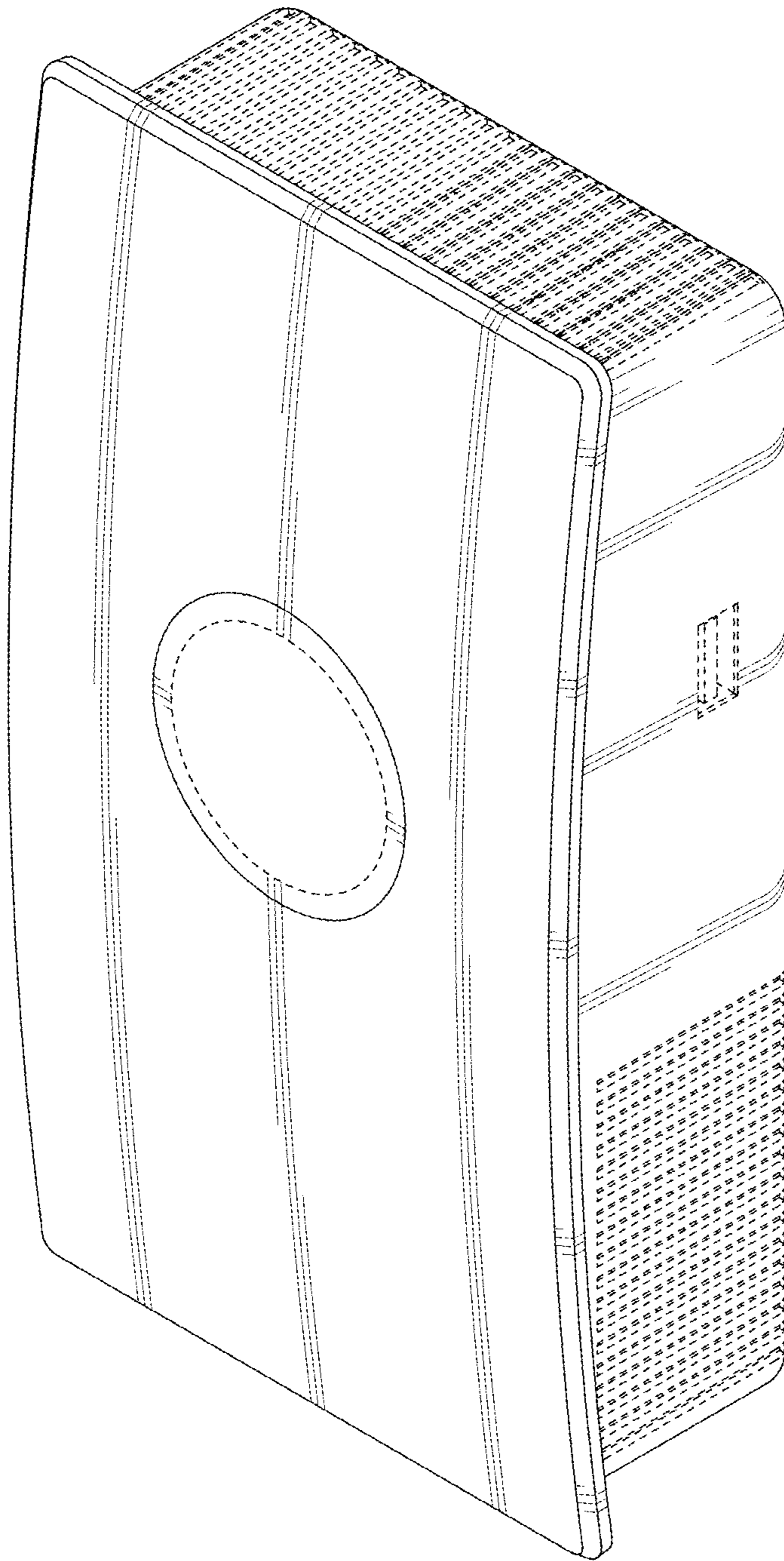


FIG. 1

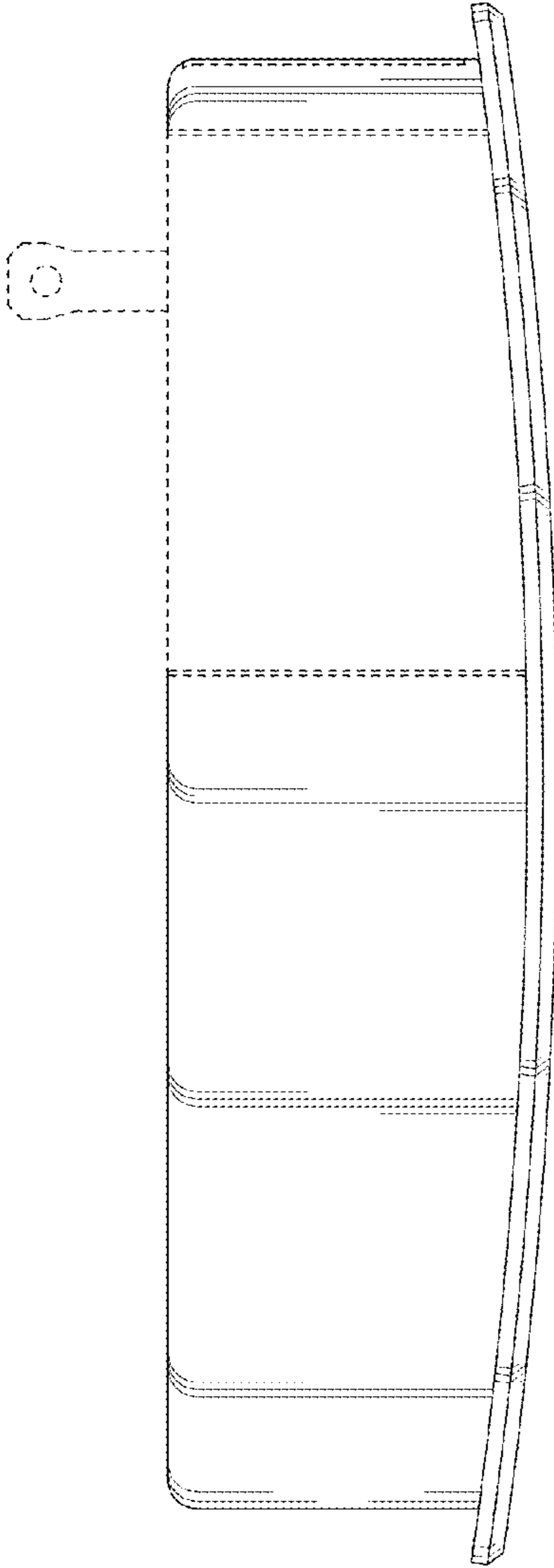


FIG. 2

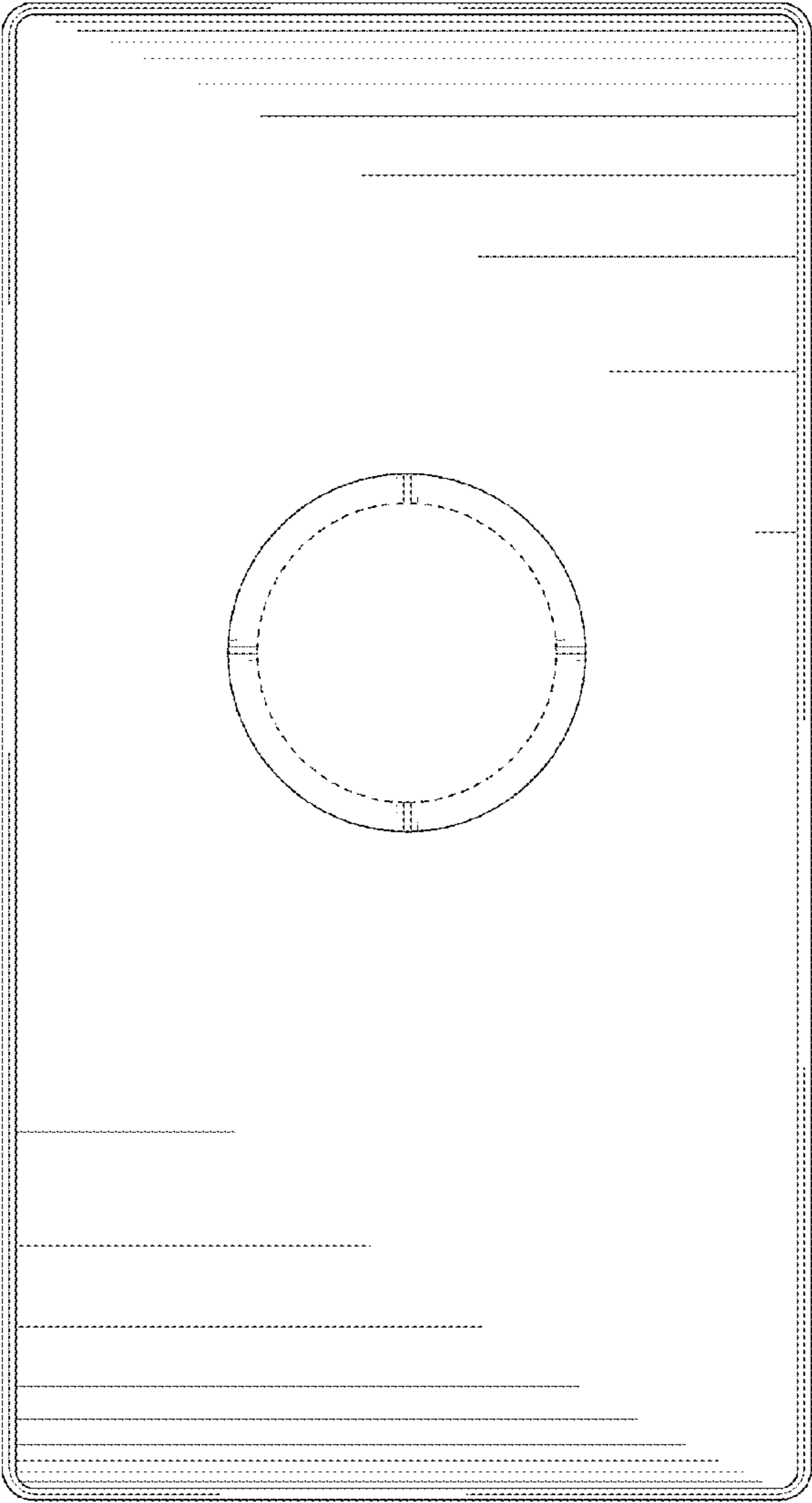


FIG. 3

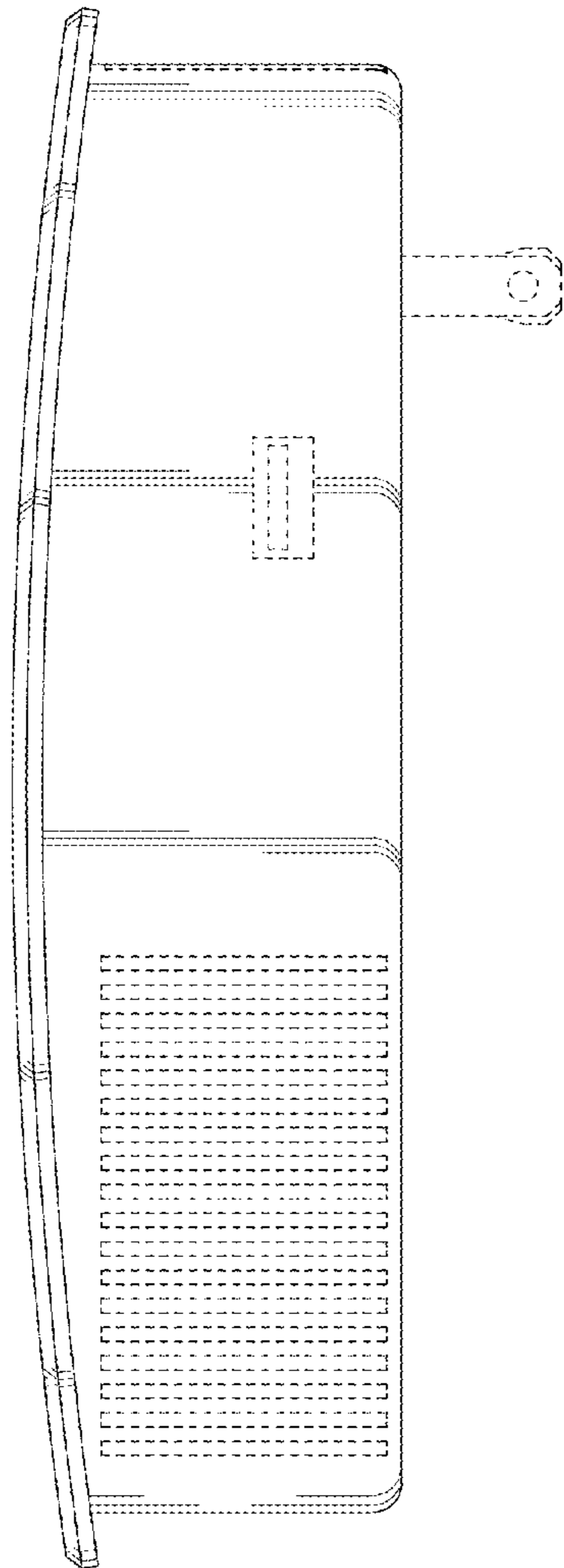


FIG. 4

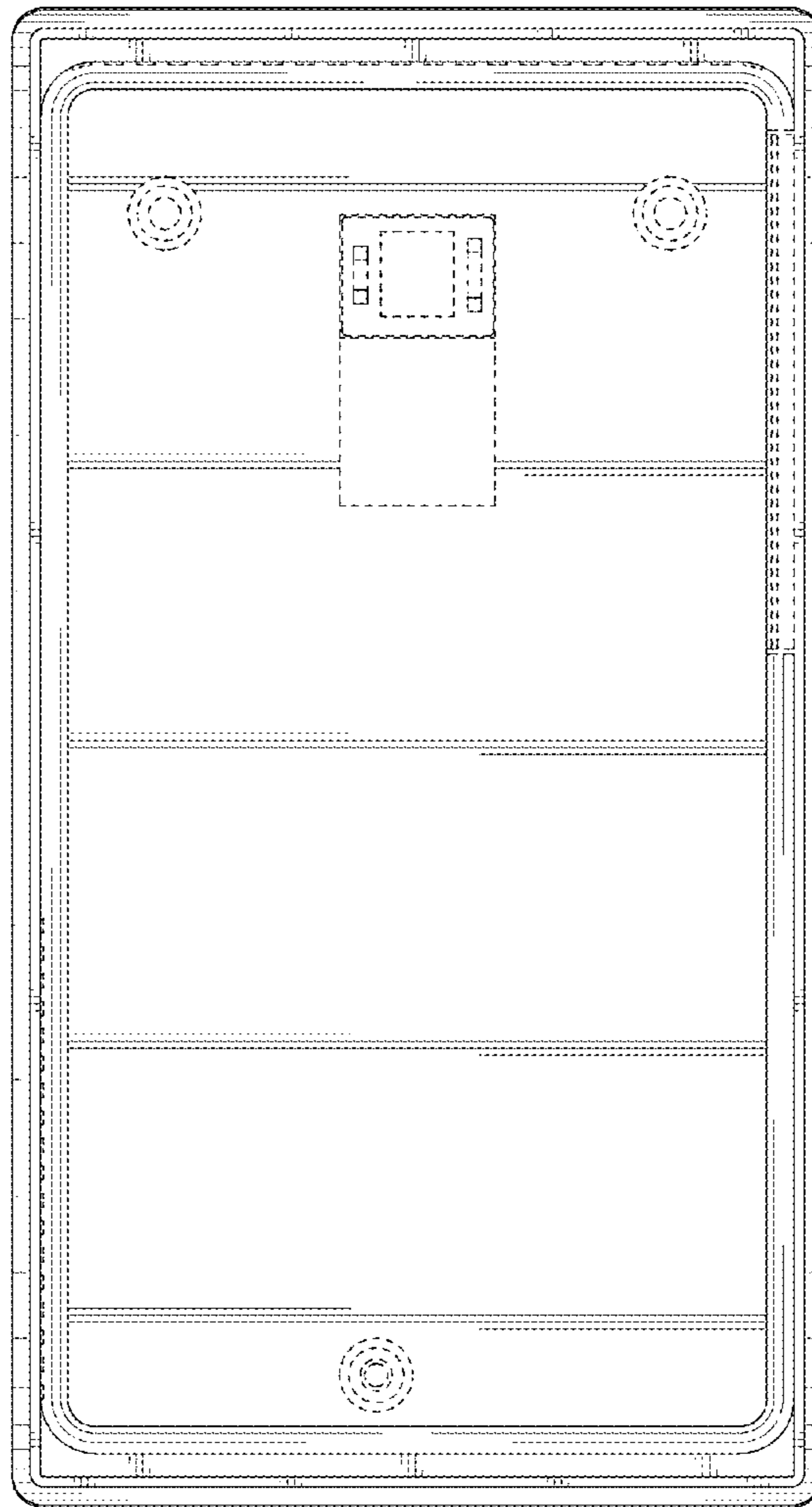


FIG. 5

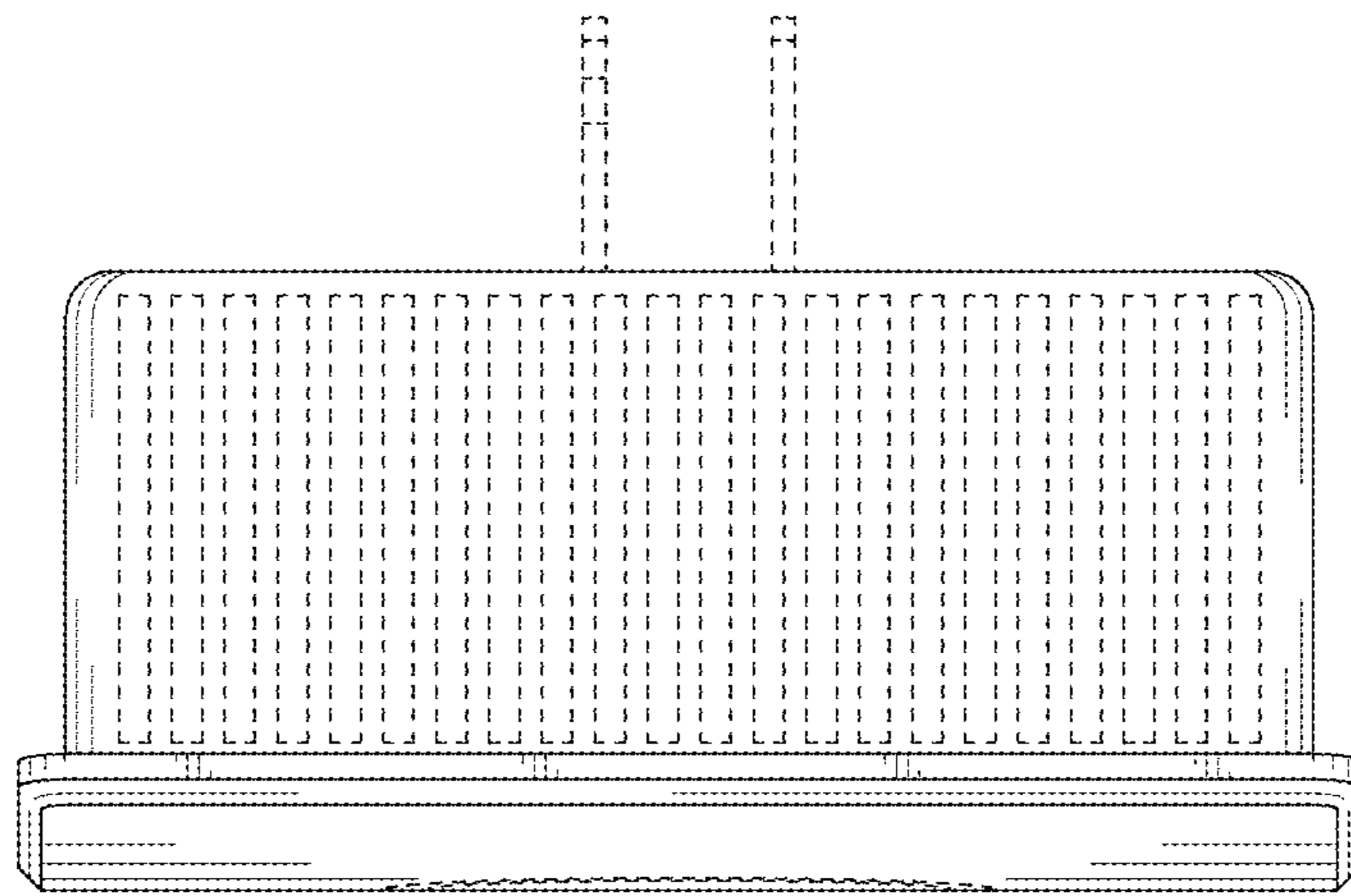


FIG. 6

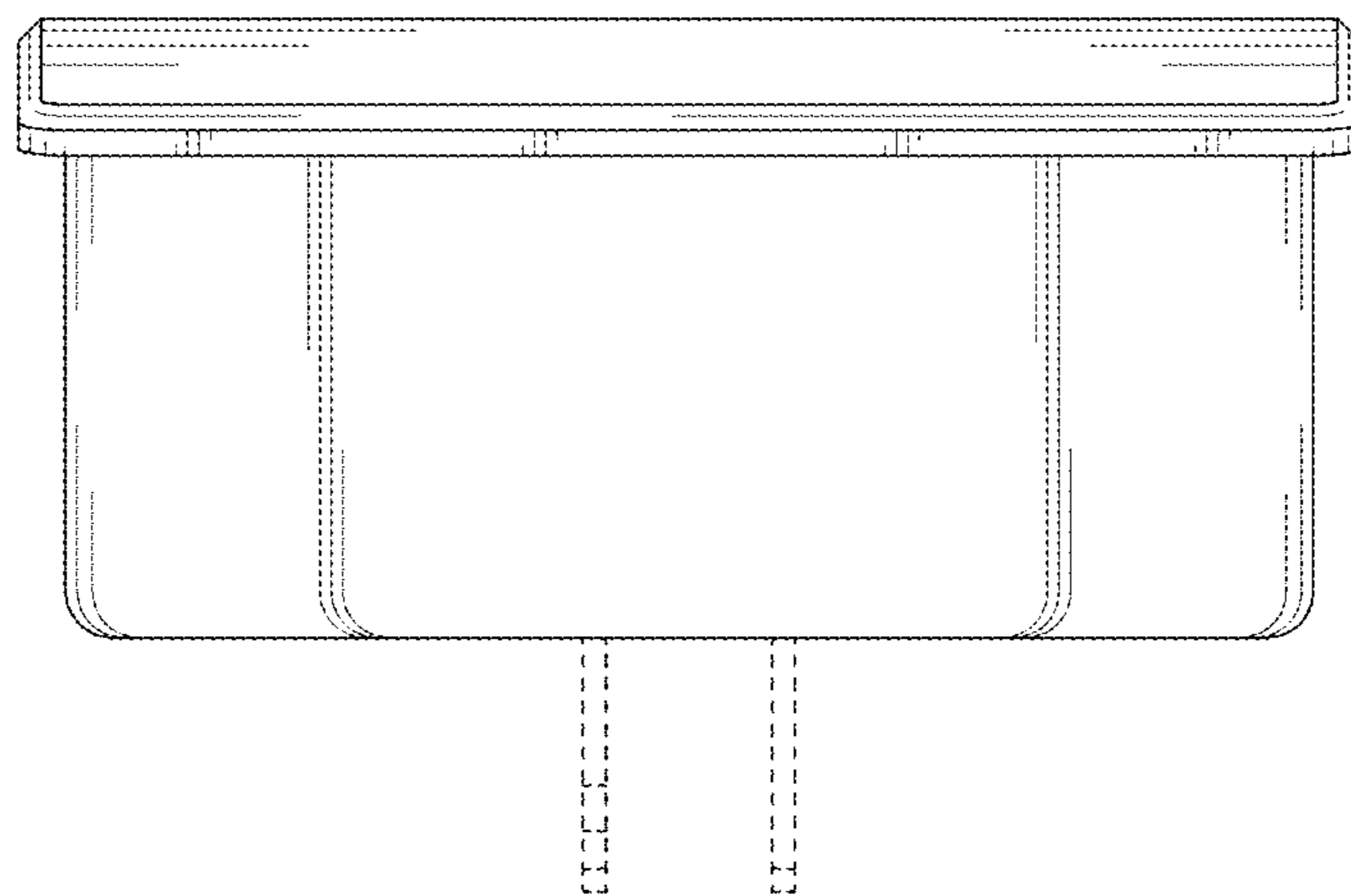


FIG. 7