



US00D719250S

(12) **United States Design Patent**
Poindexter et al.

(10) **Patent No.:** **US D719,250 S**
(45) **Date of Patent:** **** Dec. 9, 2014**

- (54) **TABLE TOP AIR PURIFIER**
- (71) Applicant: **Kaz USA, Inc.**, Southborough, MA (US)
- (72) Inventors: **Michael Poindexter**, New York, NY (US); **Joohwi Rhi**, Oradell, NJ (US); **Thomas Dooley**, Hoboken, NJ (US); **Arthur Eisenkrein**, Gladbeck (DE)
- (73) Assignee: **Helen of Troy Limited**, St. Michael (BB)
- (**) Term: **14 Years**
- (21) Appl. No.: **29/457,742**
- (22) Filed: **Jun. 12, 2013**
- (51) **LOC (10) Cl.** **23-04**
- (52) **U.S. Cl.**
USPC **D23/364**
- (58) **Field of Classification Search**
USPC D23/355-366, 352, 369, 332, 333, 335, D23/336, 342, 351; 422/120, 122; 55/356, 55/473, 504; 96/97; 261/DIG. 17, DIG. 65, 261/DIG. 88, DIG. 31
See application file for complete search history.

D548,314 S *	8/2007	Huang	D23/356
D572,355 S *	7/2008	Gao	D23/356
D592,740 S *	5/2009	Catrino	D23/332
D597,186 S *	7/2009	Campbell et al.	D23/356
D597,187 S *	7/2009	Campbell	D23/356
D600,788 S *	9/2009	Campbell et al.	D23/364
D621,019 S *	8/2010	Kim et al.	D23/356
D638,923 S *	5/2011	Choi	D23/364
D653,743 S *	2/2012	Lacotta et al.	D23/366
D677,773 S *	3/2013	Choi	D23/356

* cited by examiner

Primary Examiner — David Muller

(74) *Attorney, Agent, or Firm* — Stroock & Stroock & Lavan LLP

(57) **CLAIM**

The ornamental design for a table top air purifier with scent delivery, as shown and described.

DESCRIPTION

FIG. 1 is a perspective view of a table top air purifier with scent delivery, constructed in accordance with the present invention;

FIG. 2 is a top view thereof;

FIG. 3 is a front view thereof;

FIG. 4 is a rear view thereof;

FIG. 5 is a right side view thereof;

FIG. 6 is a left side view thereof; and,

FIG. 7 is a bottom view thereof.

The broken line showing of parts of the drawings is included for the purpose of illustrating use and environment and forms no part of the claimed design.

(56) **References Cited**

U.S. PATENT DOCUMENTS

D397,196 S *	8/1998	Tsuji	D23/356
D413,661 S *	9/1999	Litvin et al.	D23/356
D544,593 S *	6/2007	Yamamoto	D23/366

1 Claim, 6 Drawing Sheets

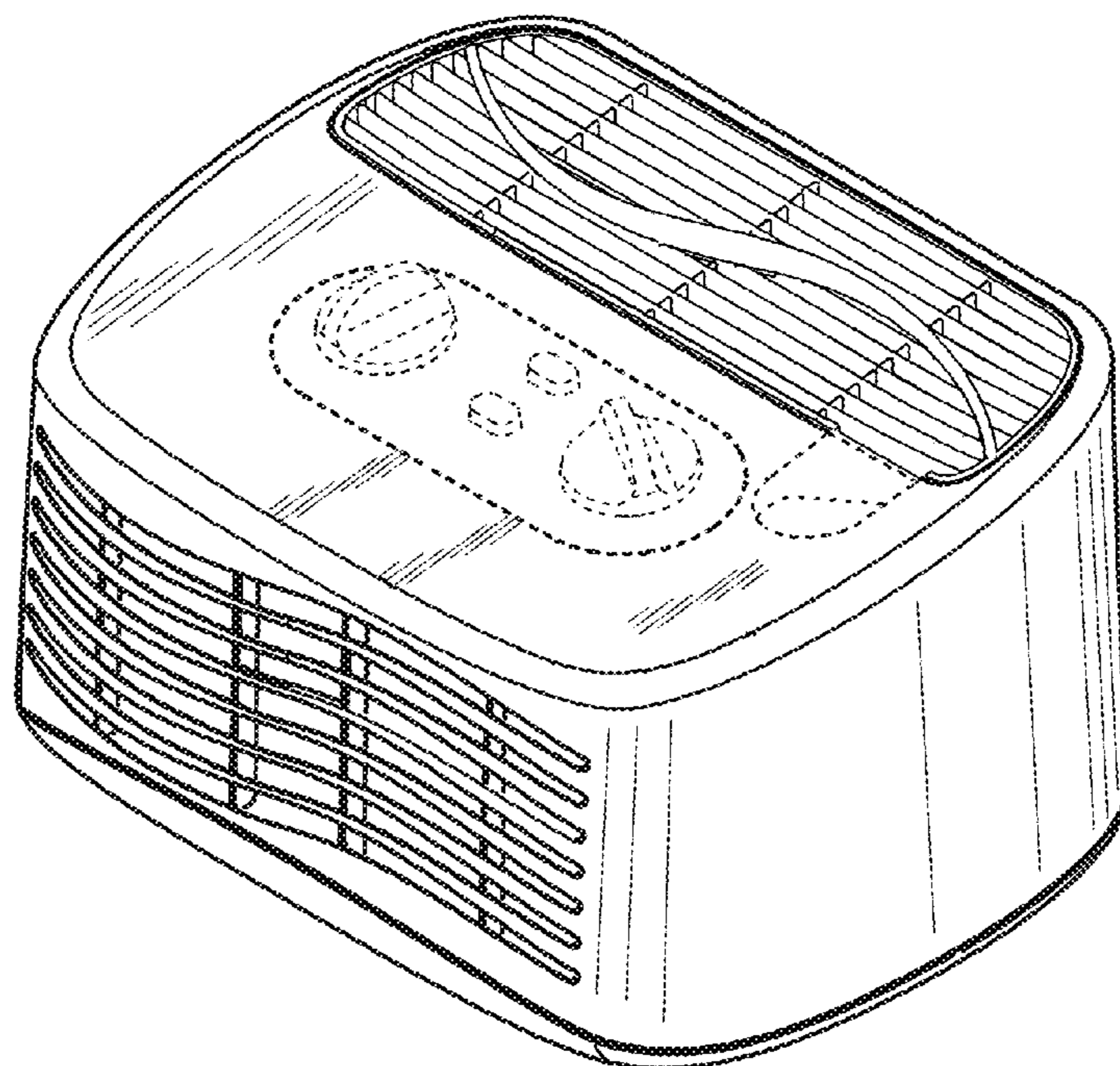


Fig. 1

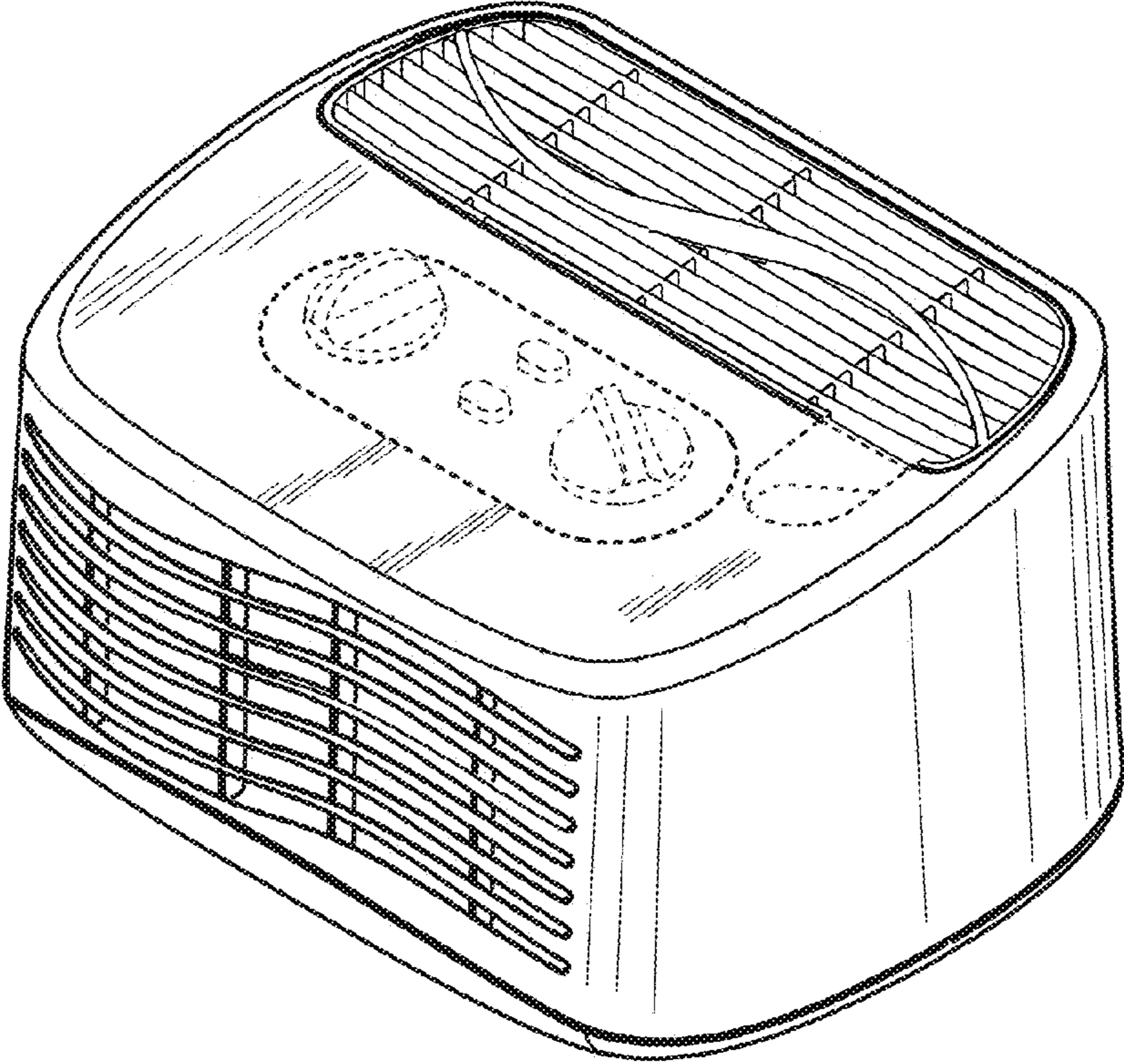


Fig. 2

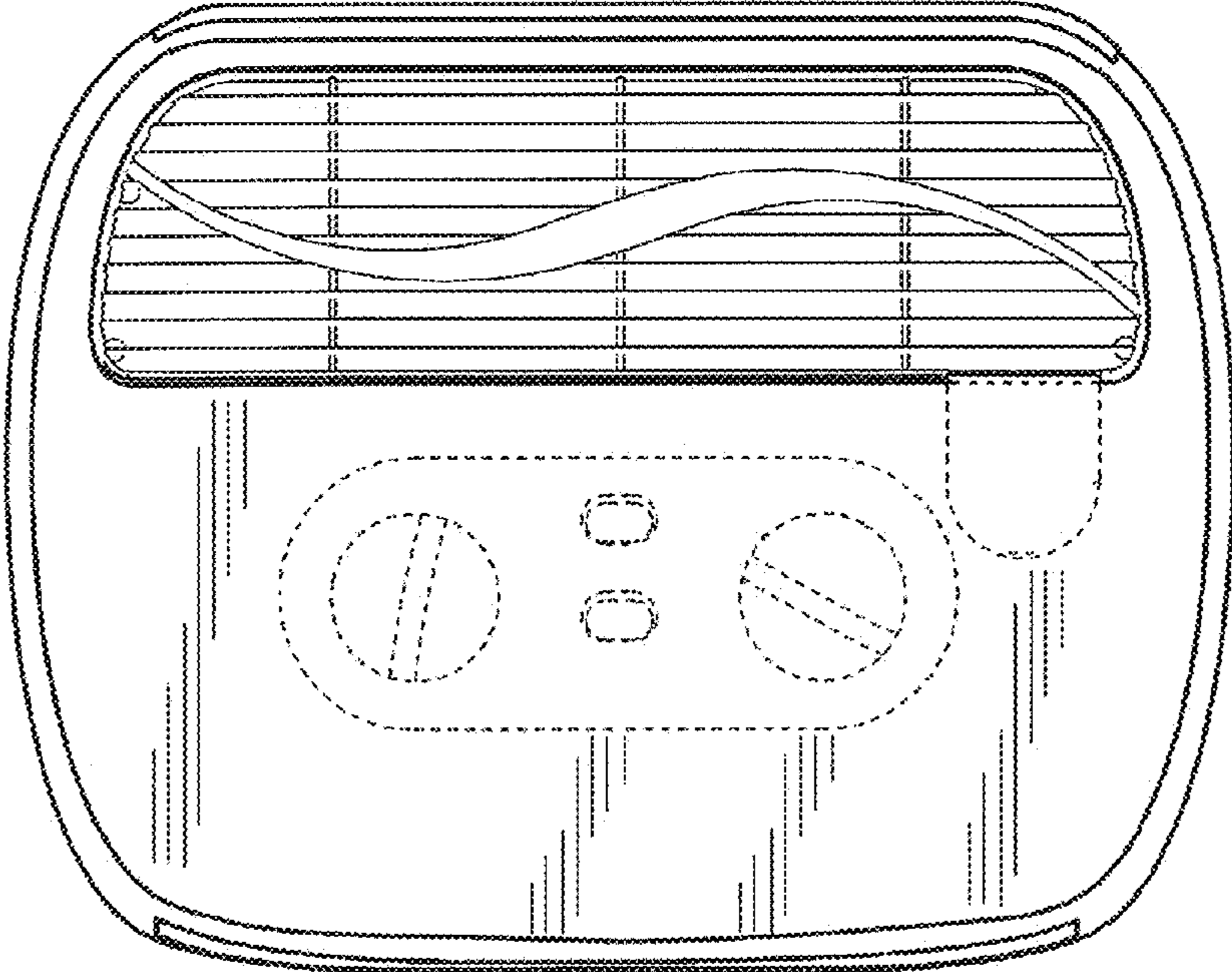


Fig. 3

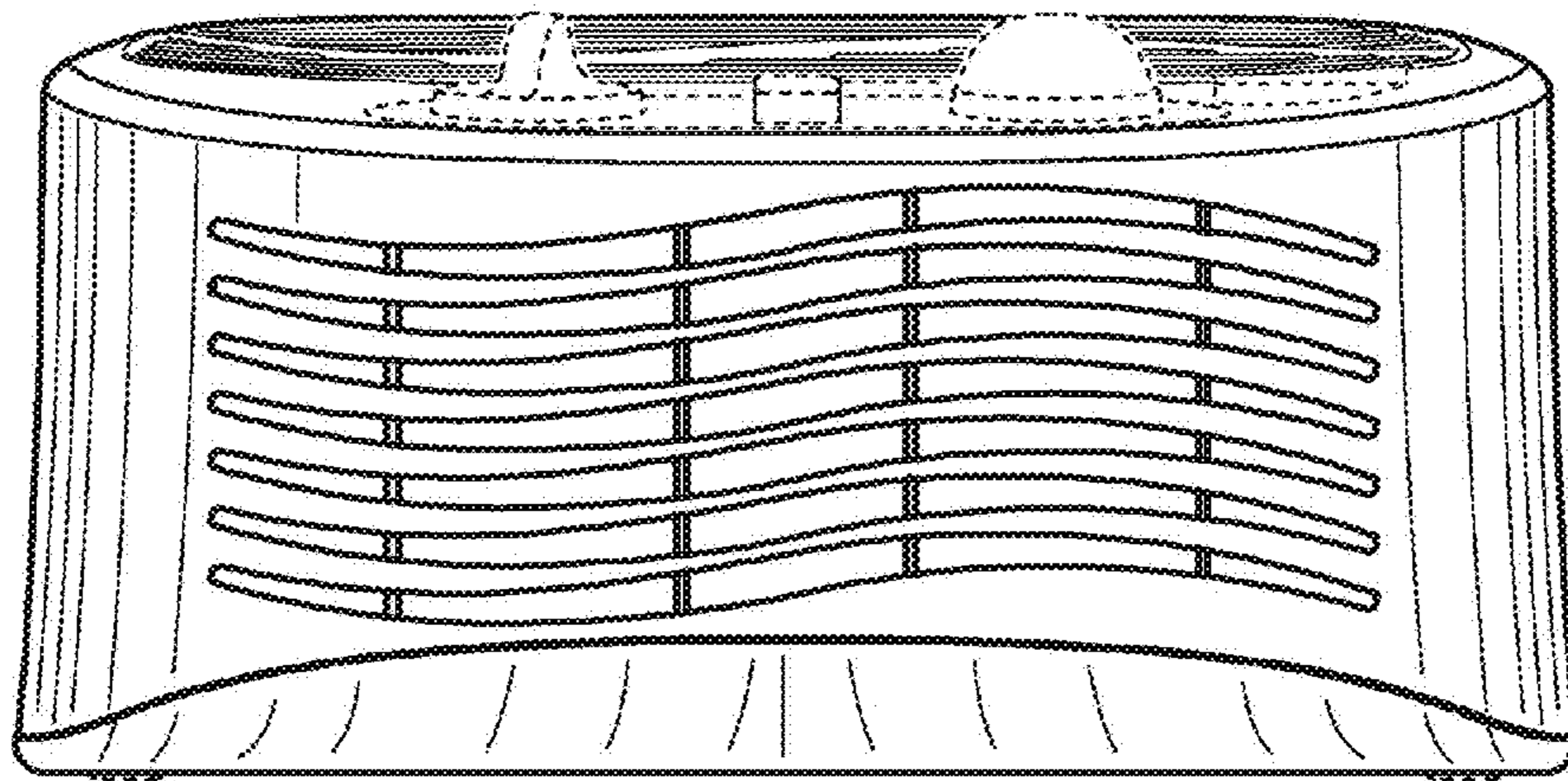


Fig. 4

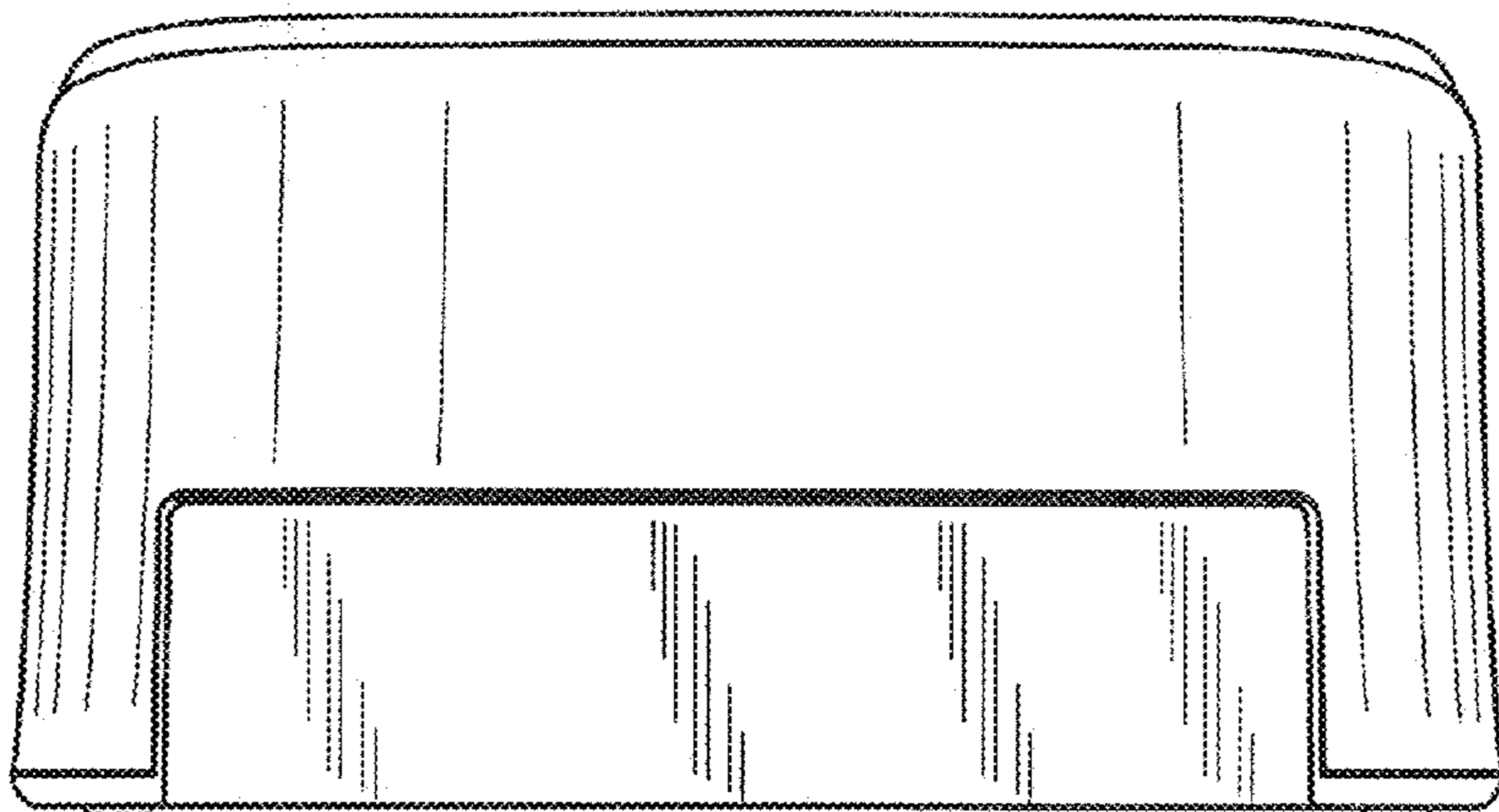


Fig. 5

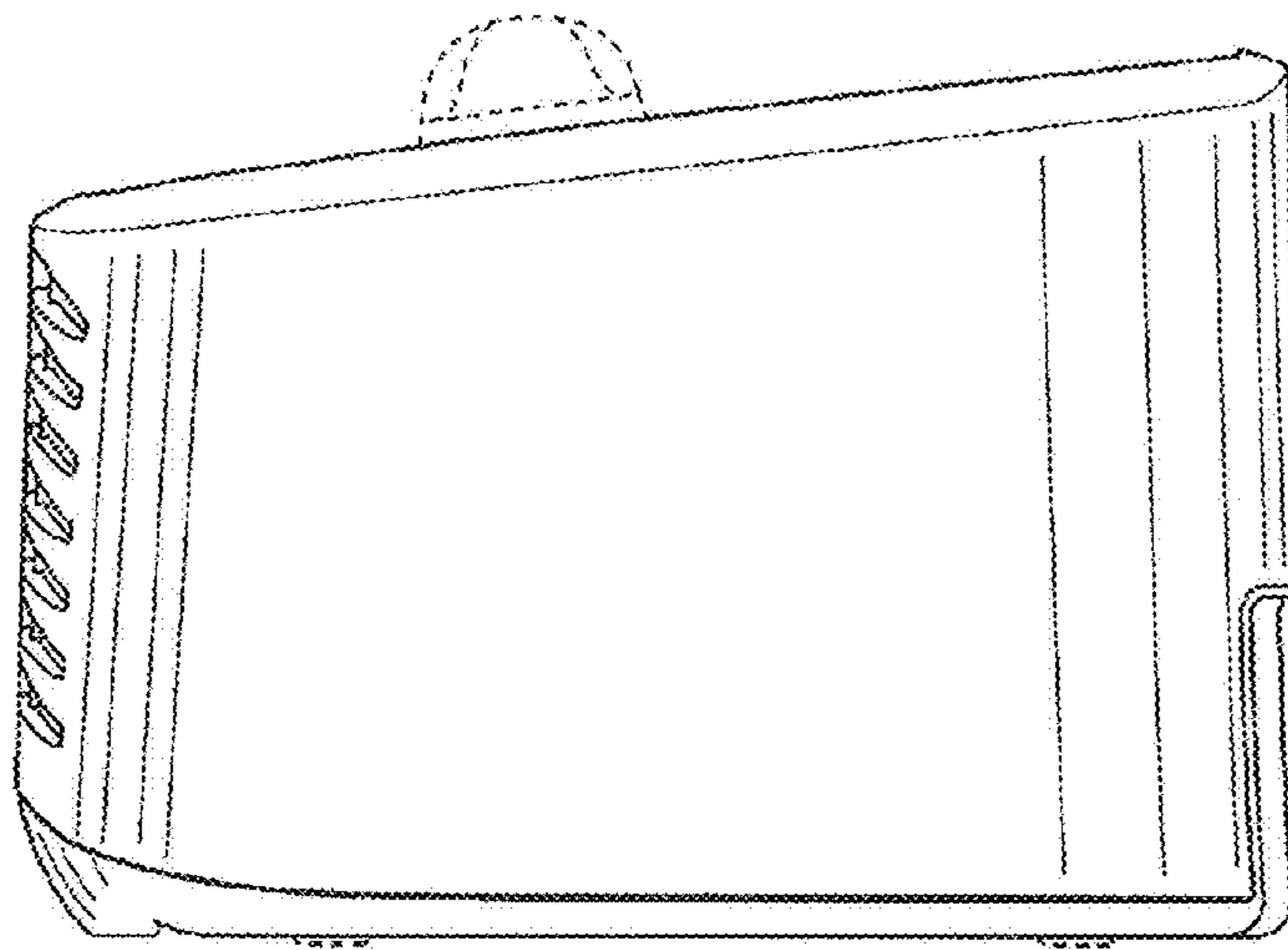


Fig. 6

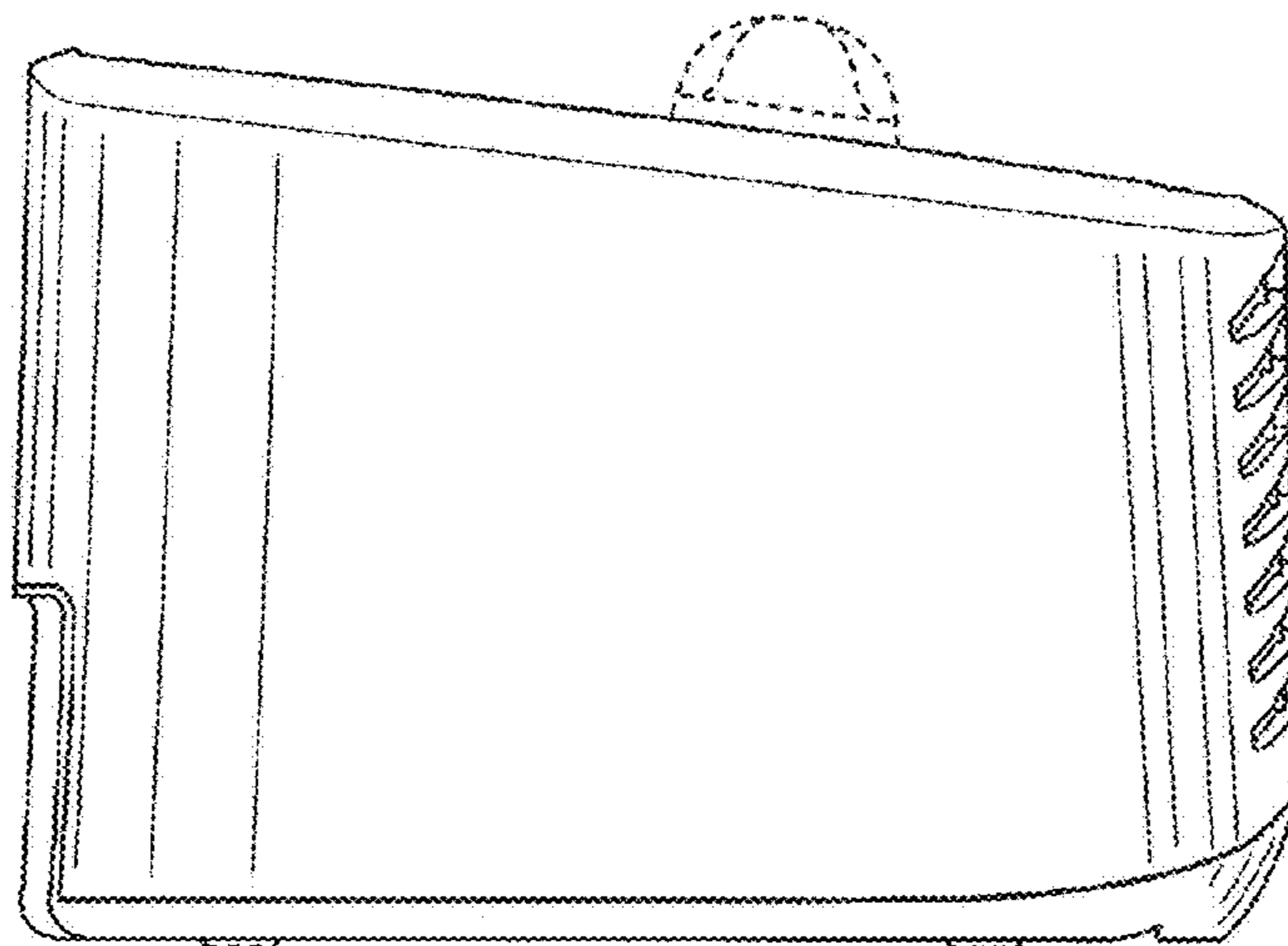


Fig. 7

