



US00D719247S

(12) **United States Design Patent**  
**Tse**

(10) **Patent No.:** **US D719,247 S**

(45) **Date of Patent:** **\*\* Dec. 9, 2014**

(54) **FIREPLACE**

(71) Applicant: **Way Interglobal Network, LLC**,  
Elkhart, IN (US)

(72) Inventor: **Gary Tse**, Dongguan (CN)

(73) Assignee: **Way Interglobal Network, LLC**,  
Elkhart, IN (US)

(\*\*) Term: **14 Years**

(21) Appl. No.: **29/467,562**

(22) Filed: **Sep. 20, 2013**

(51) **LOC (10) Cl.** ..... **23-03**

(52) **U.S. Cl.**  
USPC ..... **D23/343**

(58) **Field of Classification Search**  
USPC ..... D23/343, 345, 350, 404, 409, 406, 314,  
D23/342, 351, 355, 378, 370, 381, 336, 341,  
D23/344, 405; 126/500, 512, 25 R, 547,  
126/92 AC, 92 B, 91 R, 200; 431/2  
See application file for complete search history.

(56) **References Cited**

**U.S. PATENT DOCUMENTS**

7,007,687	B2 *	3/2006	Lewis	126/30
D638,922	S *	5/2011	Zhou	D23/344
D654,995	S *	2/2012	Asofsky et al.	D23/332
D654,996	S *	2/2012	Asofsky et al.	D23/332
D658,750	S *	5/2012	Nemes	D23/344
D664,634	S *	7/2012	Kent et al.	D23/343
D666,281	S *	8/2012	Nemes	D23/344
D667,534	S *	9/2012	Kent et al.	D23/343
D667,942	S *	9/2012	Kent et al.	D23/343
D668,325	S *	10/2012	Kent et al.	D23/343
D671,200	S *	11/2012	Kent et al.	D23/343

\* cited by examiner

*Primary Examiner* — T. Chase Nelson

*Assistant Examiner* — Ania Aman

(74) *Attorney, Agent, or Firm* — Botkin & Hall, LLP

(57) **CLAIM**

The ornamental design for a fireplace, as shown and described.

**DESCRIPTION**

FIG. 1 is a front perspective view of the fireplace, the broken lines represent the housing structure on the rear of the fireplace and control elements on the front of the fireplace and are for illustrative purposes only and form no part of the claimed design;

FIG. 2 is a rear perspective view of the fireplace, the broken lines represent the housing structure on the rear of the fireplace and are for illustrative purposes only and form no part of the claimed design;

FIG. 3 is a front view of the fireplace of FIG. 1, the broken lines represent the control elements, the heating elements and the feet of the fireplace and are for illustrative purposes only and form no part of the claimed design;

FIG. 4 is a back view of the fireplace of FIG. 1, the broken lines represent the housing structure and feet of the fireplace and are for illustrative purposes only and form no part of the claimed design;

FIG. 5 is a left side view of the fireplace of FIG. 1, the broken lines represent the housing structure and feet of the fireplace and are for illustrative purposes only and form no part of the claimed design;

FIG. 6 is a right side view of the fireplace of FIG. 1, the broken lines represent the housing structure and feet of the fireplace and are for illustrative purposes only and form no part of the claimed design;

FIG. 7 is a top view of the fireplace of FIG. 1, the broken lines represent the housing structure of the fireplace and are for illustrative purposes only and form no part of the claimed design; and,

FIG. 8 is a bottom view of the fireplace of FIG. 1, the broken lines represent the housing structure and feet of the fireplace and are for illustrative purposes only and form no part of the claimed design.

**1 Claim, 6 Drawing Sheets**

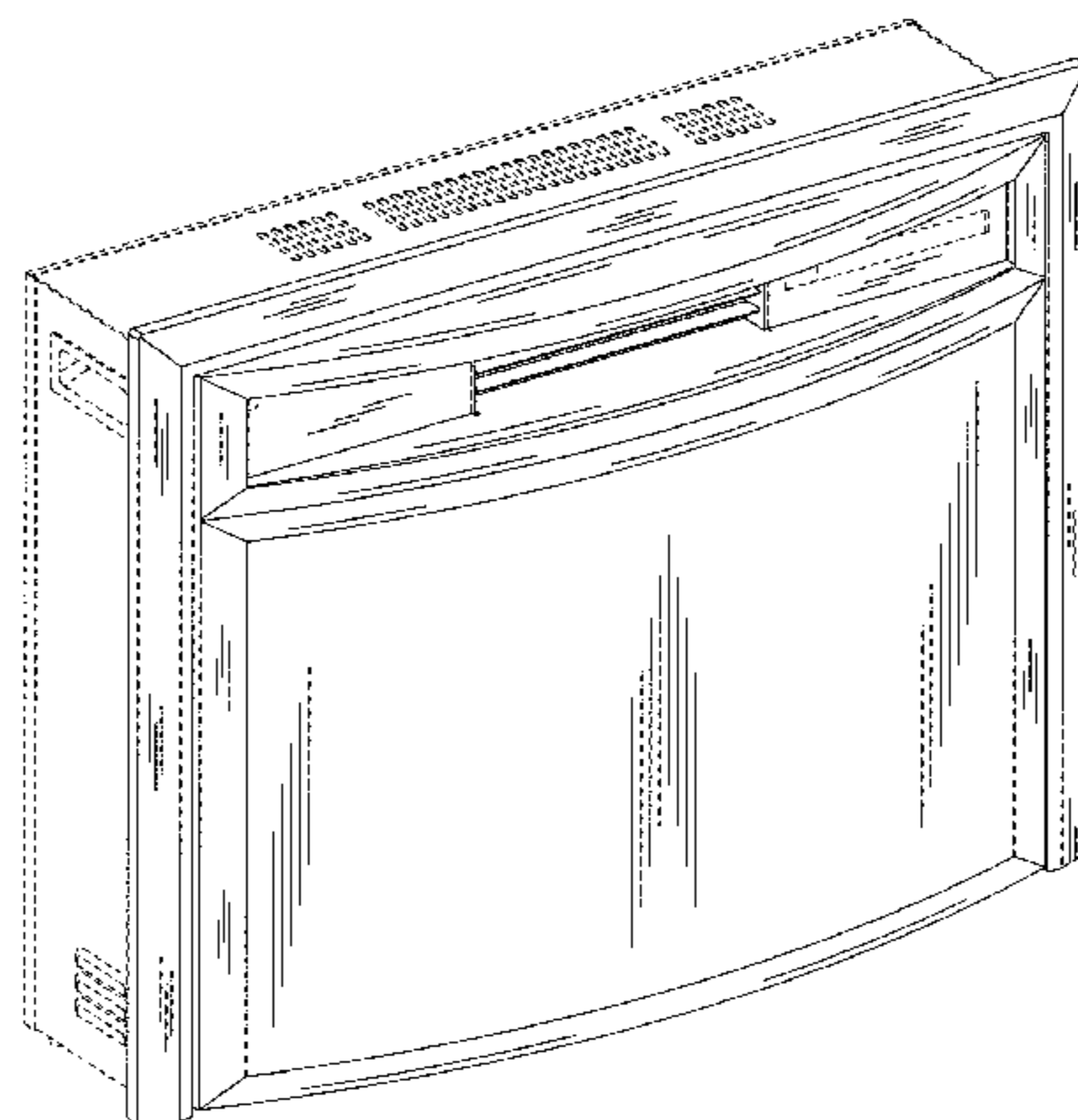


Fig. 1

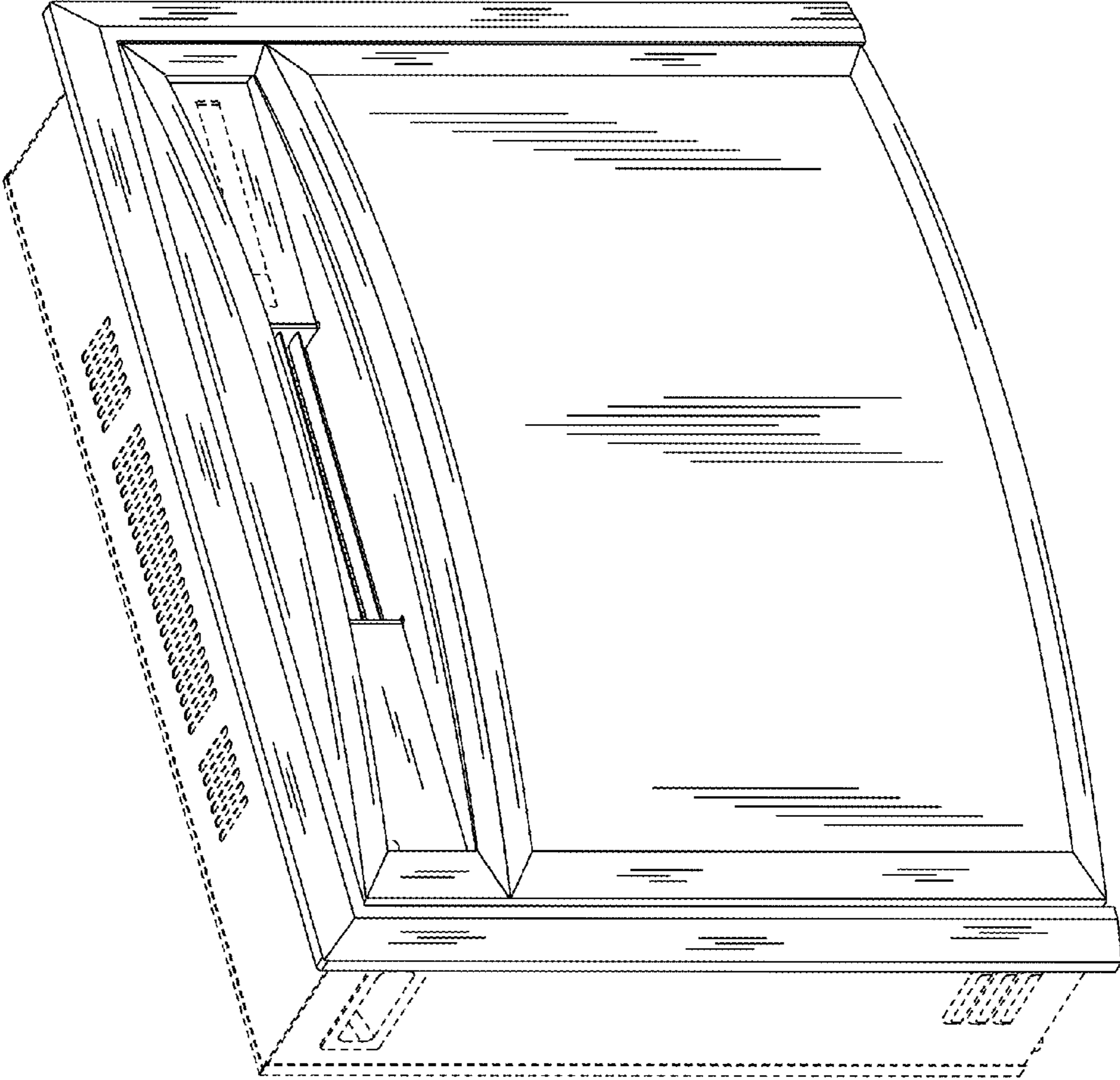


Fig. 2

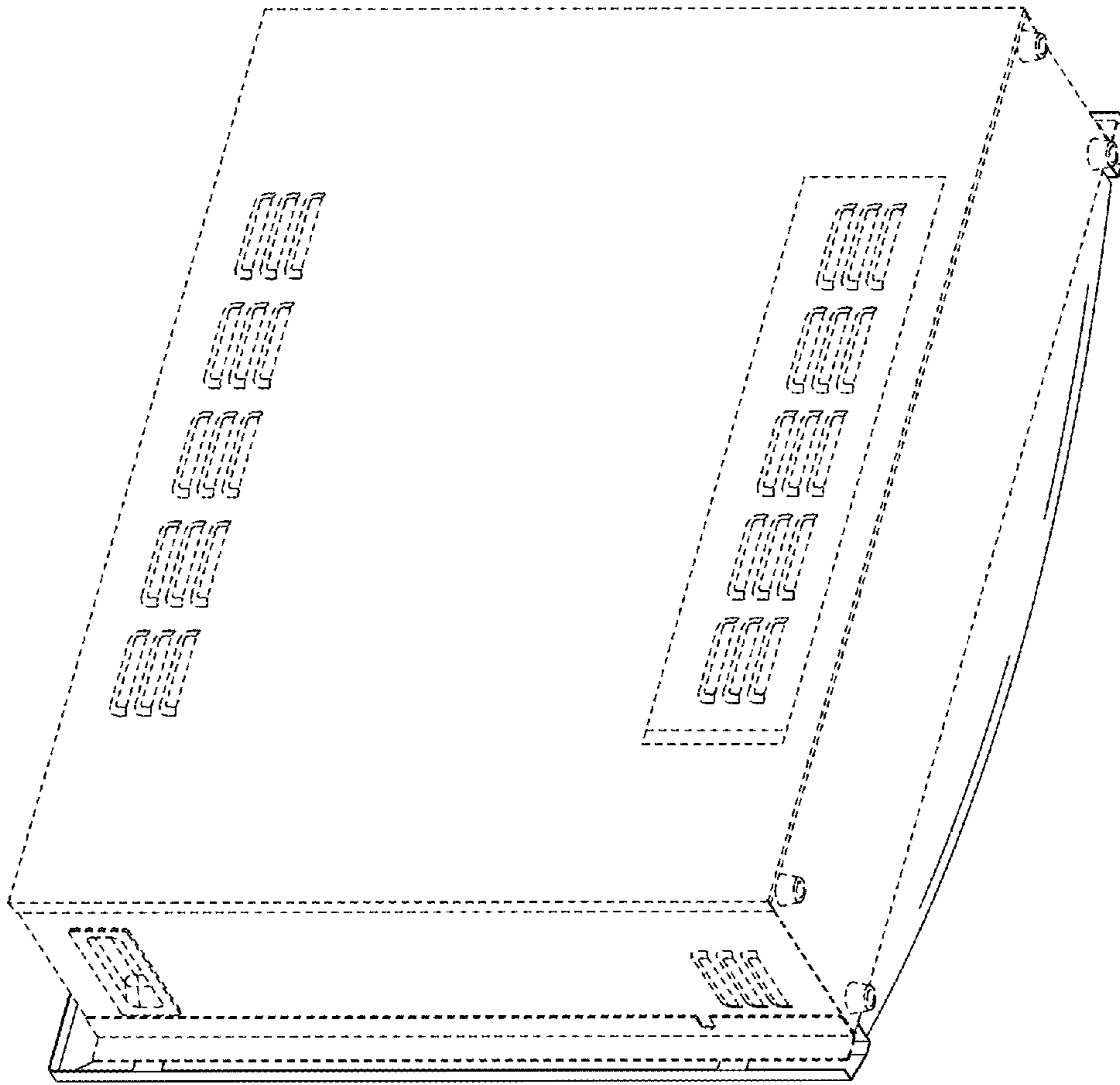


Fig. 3

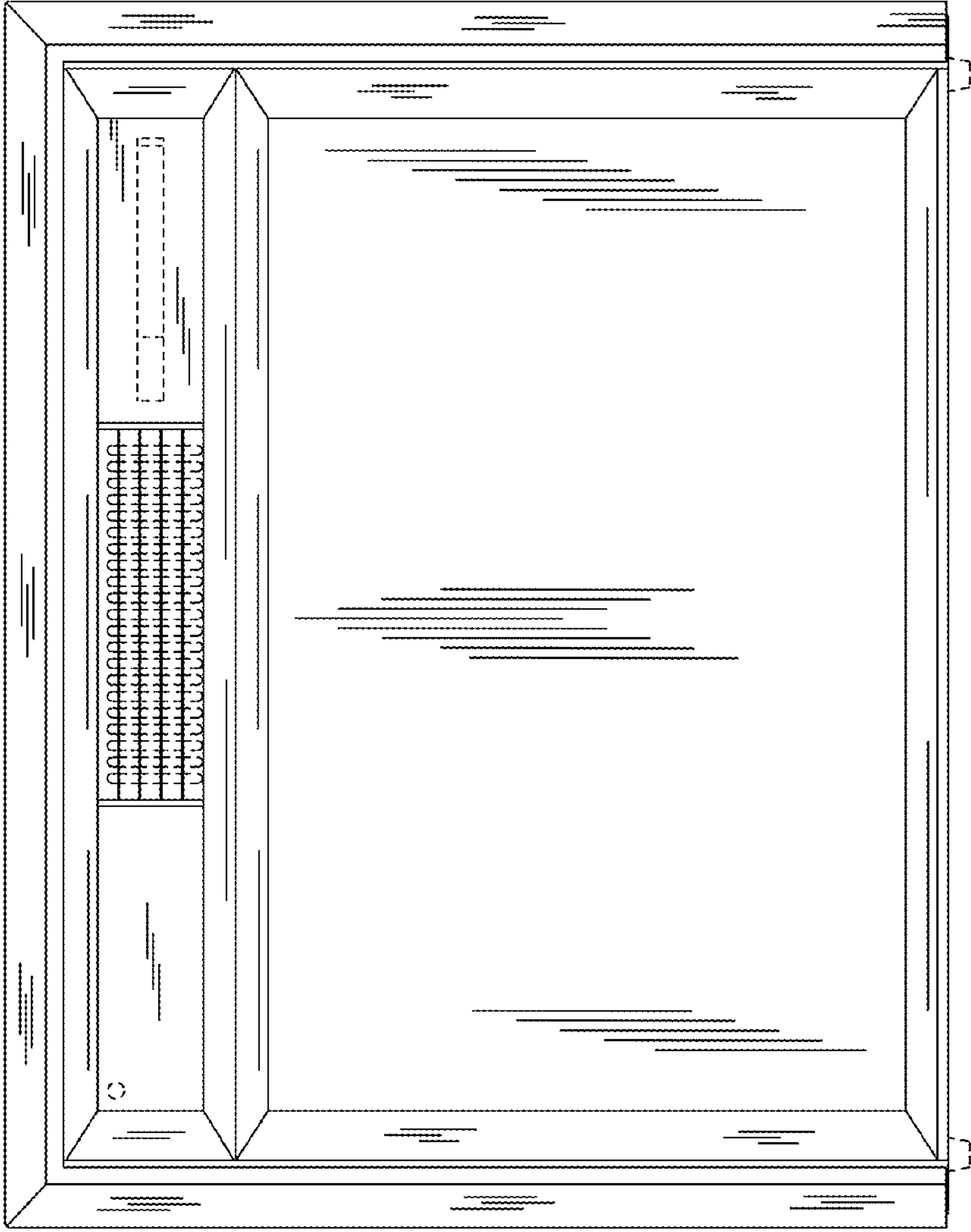
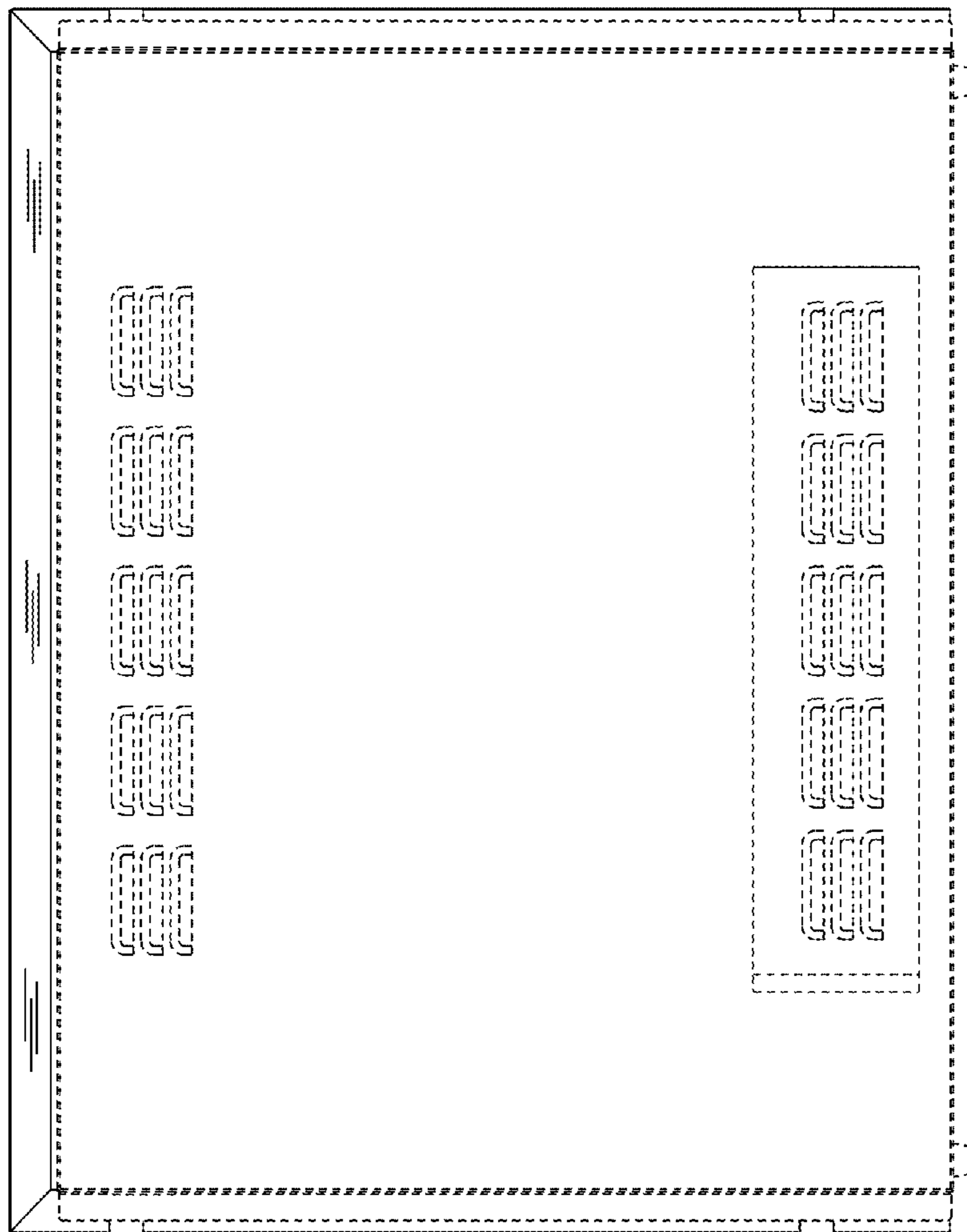


Fig. 4



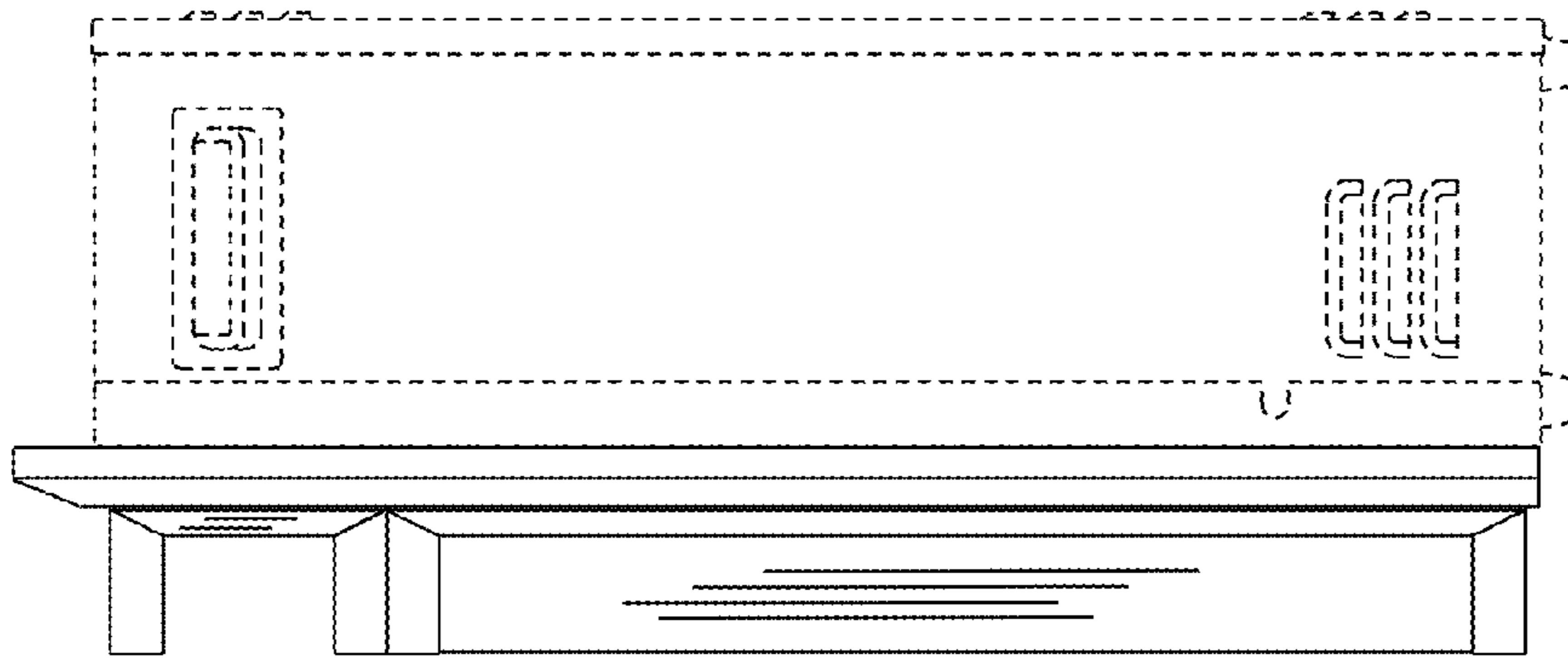


Fig. 6

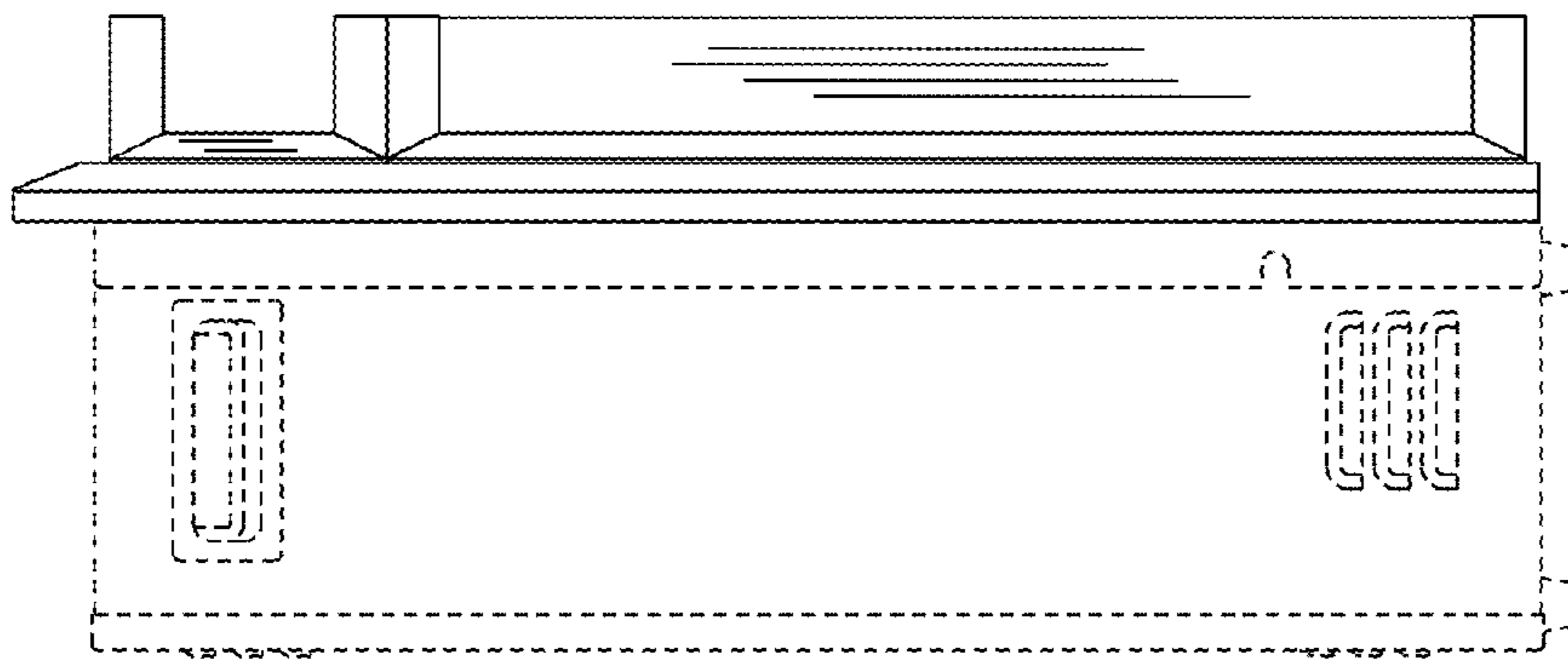


Fig. 5

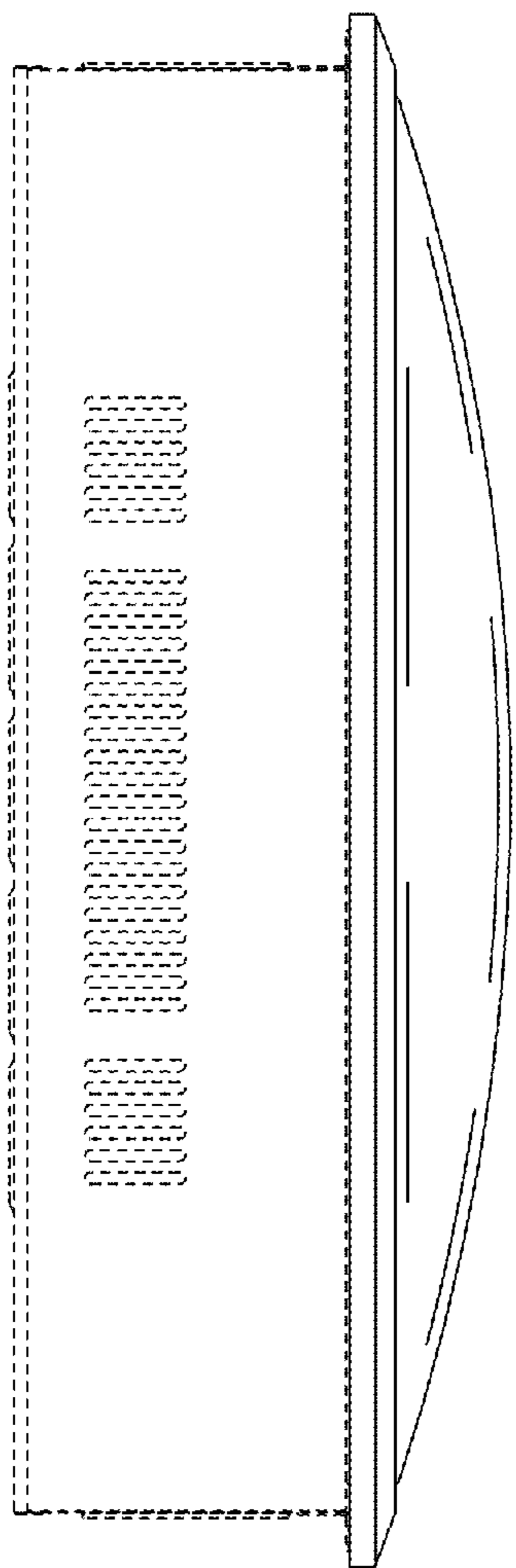


Fig. 7

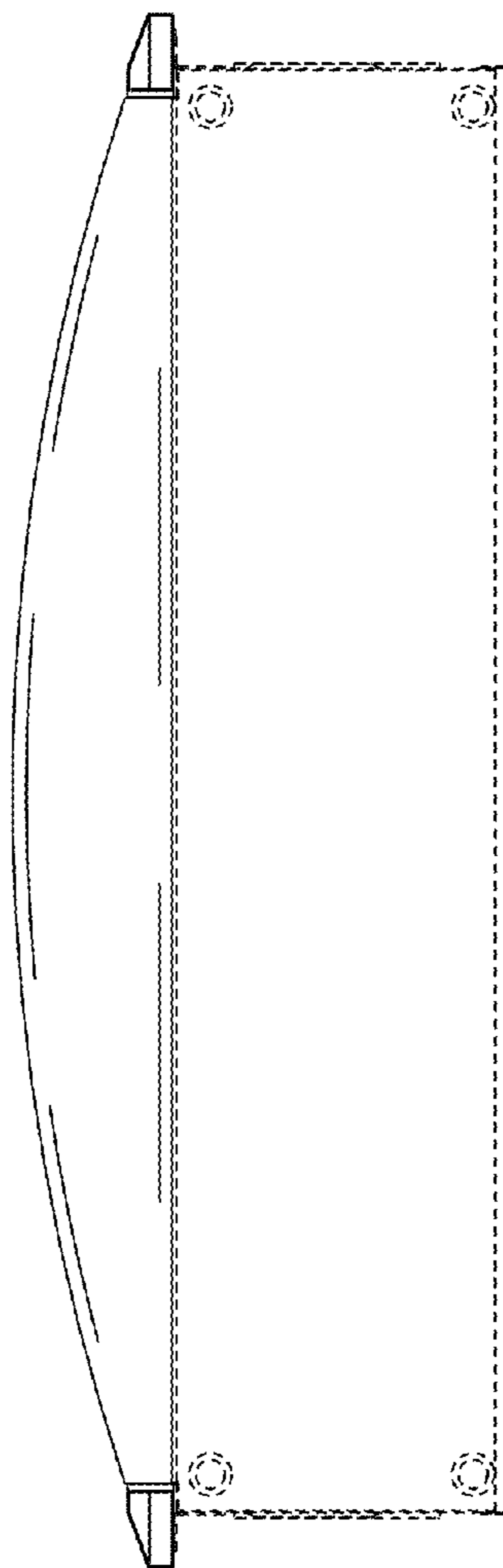


Fig. 8