



US00D719245S

(12) **United States Design Patent**
Kergoet

(10) **Patent No.:** **US D719,245 S**

(45) **Date of Patent:** **** Dec. 9, 2014**

(54) **TOILET**

(71) Applicant: **Kohler Co.**, Kohler, WI (US)

(72) Inventor: **François Kergoet**, Malakoff (FR)

(73) Assignee: **Kohler Co.**, Kohler, WI (US)

(**) Term: **14 Years**

(21) Appl. No.: **29/492,273**

(22) Filed: **May 29, 2014**

Related U.S. Application Data

(62) Division of application No. 29/466,679, filed on Sep. 10, 2013.

Foreign Application Priority Data

Mar. 11, 2013 (EM) 0001364145

(51) **LOC (10) Cl.** **23-02**

(52) **U.S. Cl.**
USPC **D23/300**

(58) **Field of Classification Search**
USPC D23/295, 300, 303, 309, 311; 4/300,
4/329-330, 420, 443, 234, 242.1,
4/DIG. 15

See application file for complete search history.

(56) **References Cited**

U.S. PATENT DOCUMENTS

- D105,006 S 6/1937 Groeniger, W.C.
- D113,838 S 3/1939 Groeniger, W.C.
- D191,938 S * 12/1961 Rodman D23/300
- D259,137 S 5/1981 Knox
- D328,127 S 7/1992 Smith, Jr.
- D331,621 S * 12/1992 Tapolcai D23/286
- D510,132 S 9/2005 Piatt
- D545,416 S 6/2007 Maruhashi et al.
- D564,078 S 3/2008 Hobby, III

- 7,377,661 B2 5/2008 Douglass
- D582,528 S 12/2008 Gallob
- D588,245 S 3/2009 Kohler, Jr. et al.
- D603,488 S 11/2009 Maruhashi
- D609,792 S * 2/2010 Tani et al. D23/300
- D609,793 S 2/2010 Tani et al.
- D621,918 S * 8/2010 Paterson et al. D23/295

(Continued)

OTHER PUBLICATIONS

Living City Washbasins (various models, including 1843.1), Living Catalog, Laufen, Aug. 2012 (p. 44; see also pp. 4-13, 43, and 45). Pdf pp. 3-6 and 22-23.

(Continued)

Primary Examiner — Robert Delehanty

(74) *Attorney, Agent, or Firm* — Foley & Lardner LLP

(57) **CLAIM**

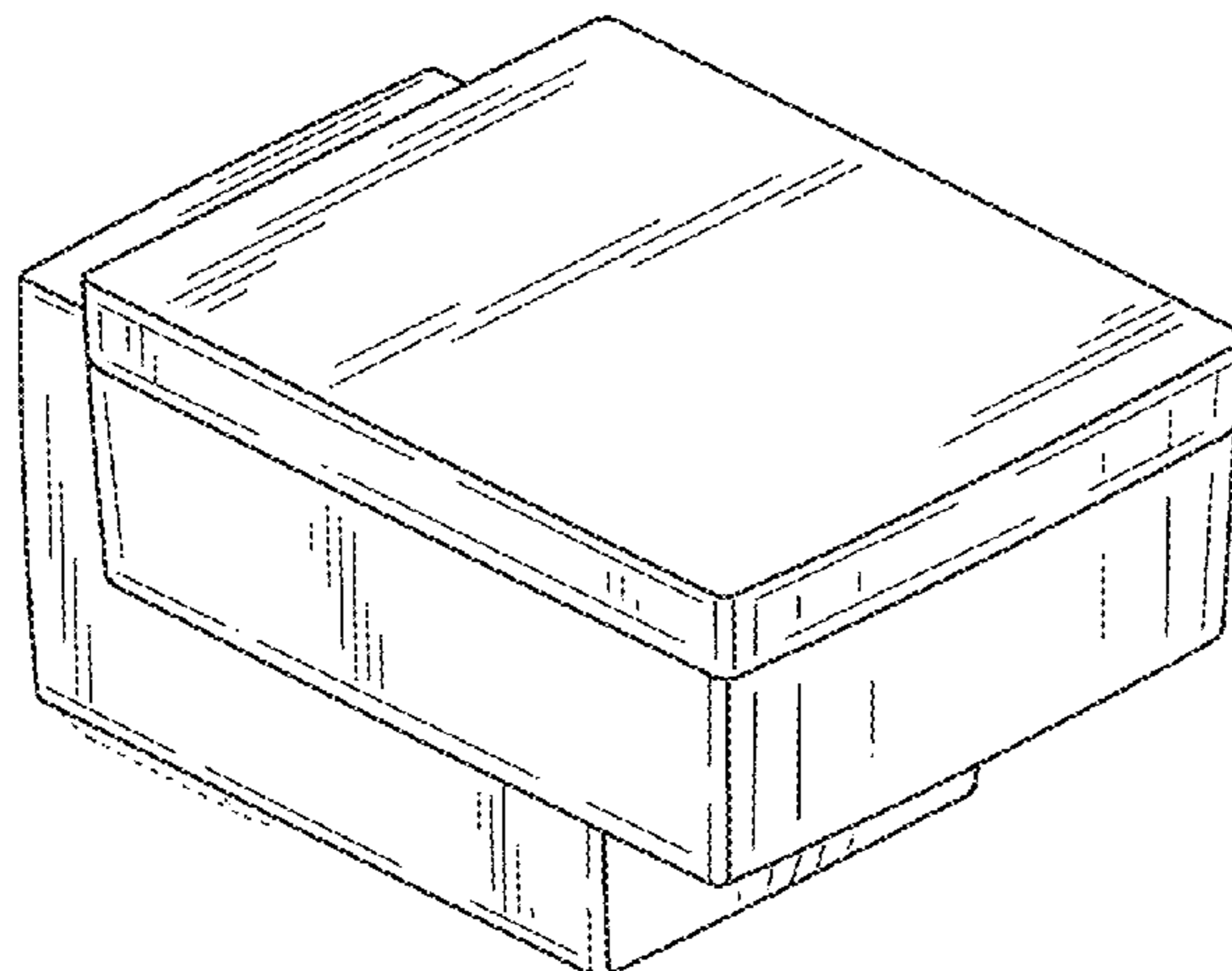
I claim the ornamental design for a toilet, as shown and described.

DESCRIPTION

FIG. 1 is a top, left, front perspective view of an embodiment of the claimed design;
FIG. 2 is a left elevation view thereof;
FIG. 3 is a right elevation view thereof;
FIG. 4 is a front elevation view thereof;
FIG. 5 is a top plan view thereof;
FIG. 6 is a bottom plan view thereof; and,
FIG. 7 is a rear elevation view thereof.

The ornamental design which is claimed is shown in solid lines in the drawings. The broken lines in the drawings are for illustrative purposes only and form no part of the claimed design. Broken lines formed by equal length dashes show unclaimed portions of the design. Broken lines formed of unequal length dashes (i.e., dash-dot) show boundaries between claimed and unclaimed portions of the design.

1 Claim, 3 Drawing Sheets



(56)

References Cited

U.S. PATENT DOCUMENTS

D630,716 S	1/2011	Thomas	
D631,143 S	1/2011	Thomas	
D636,855 S	4/2011	Thomas	
D640,777 S *	6/2011	Heuberger D23/300
D697,596 S	1/2014	Spangler	

OTHER PUBLICATIONS

Living Wall-hung Bidet (Model 3043.2), Living Catalog, Laufen, Aug. 2012 (p. 49; see also pp. 4-13). Pdf pp. 3-6 and 25.
 Living Wall-hung Water Closet (Model 2043.5), Living Catalog, Laufen, Aug. 2012 (p. 49; see also pp. 4-13). Pdf pp. 3-6 and 25.
 Memento Wall-mounted Bidet (Model 5428 10), Choice of Collections Bathroom & Wellness, Villeroy & Boch, 2012 (p. 69; see also pp. 19-20). Pdf pp. 12 38.
 Memento Wall-mounted Washdown Water Closet (Model 5628 10), Choice of Collections Bathroom & Wellness, Villeroy & Boch, 2012 (p. 68; see also pp. 19-20). Pdf pp. 12 37.
 Memento Washbasins (various models, including 5133.50), Choice of Collections Bathroom & Wellness, Villeroy & Boch, 2012 (p. 66; see also pp. 19-20, and 63-64) Pdf pp. 12 35 36.
 Preciosa I and II Bidet, Wall Hung (Model 233200), Price List 2011, Sani-Consult Ltd., 2011 (e.g., pp. 21). Pdf p. 29.

Preciosa I and II Wash Basins (various models, including 124200), Price List 2011, Sani-Consult Ltd., 2011 (p. 19; see also p. 20). Pdf p. 26-27.
 Preciosa I and II Wash-down Water Closet (Model 203200), Price List 2011, Sani-Consult Ltd., 2011 (p. 21). Pdf p. 29.
 Preciosa I and II Water Closet Seat with Cover (Model 571280), Price List 2011, Sani-Consult Ltd., 2011 (p. 21). Pdf p. 29.
 US Office Action for U.S. Appl. No. 29/466,679 dated Feb. 18, 2014, 7 pages.
 Vero Bidets (various models, including 223915.001), badmagazin, Duravit, 2012 (p. 315; see also pp. 60-69, and 316). pdfpages 32-36, 159-160).
 Vero Toilets (various models, including 221709..641a), badmagazin, Duravit, 2012 (p. 316; see also pp. 60-69). pdfpages 32-36, 160.
 Vero Washbasins (various models, including 045412..001), badmagazin, Duravit, 2012 (p. 314; see also pp. 60-69, 313, and 315). pdfpages 32-36, 158-159.
 Verso Bidet (Model 1VSVE00), Catalano Catalog, Jan. 2013 (e.g., pp. 42-43, and 90). Pdfpages 43-44, 91.
 Verso Washbasins (various models, including 112VN00), Catalano Catalog, Jan. 2013 (p. 89; see also pp. 42-47). Pdfpages 43-48, 90.
 Verso Water Closet (Model 1BSVE00), Catalano Catalog, Jan. 2013 (p. 90; see also pp. 42-43). Pdfpages 43-44, 91.

* cited by examiner

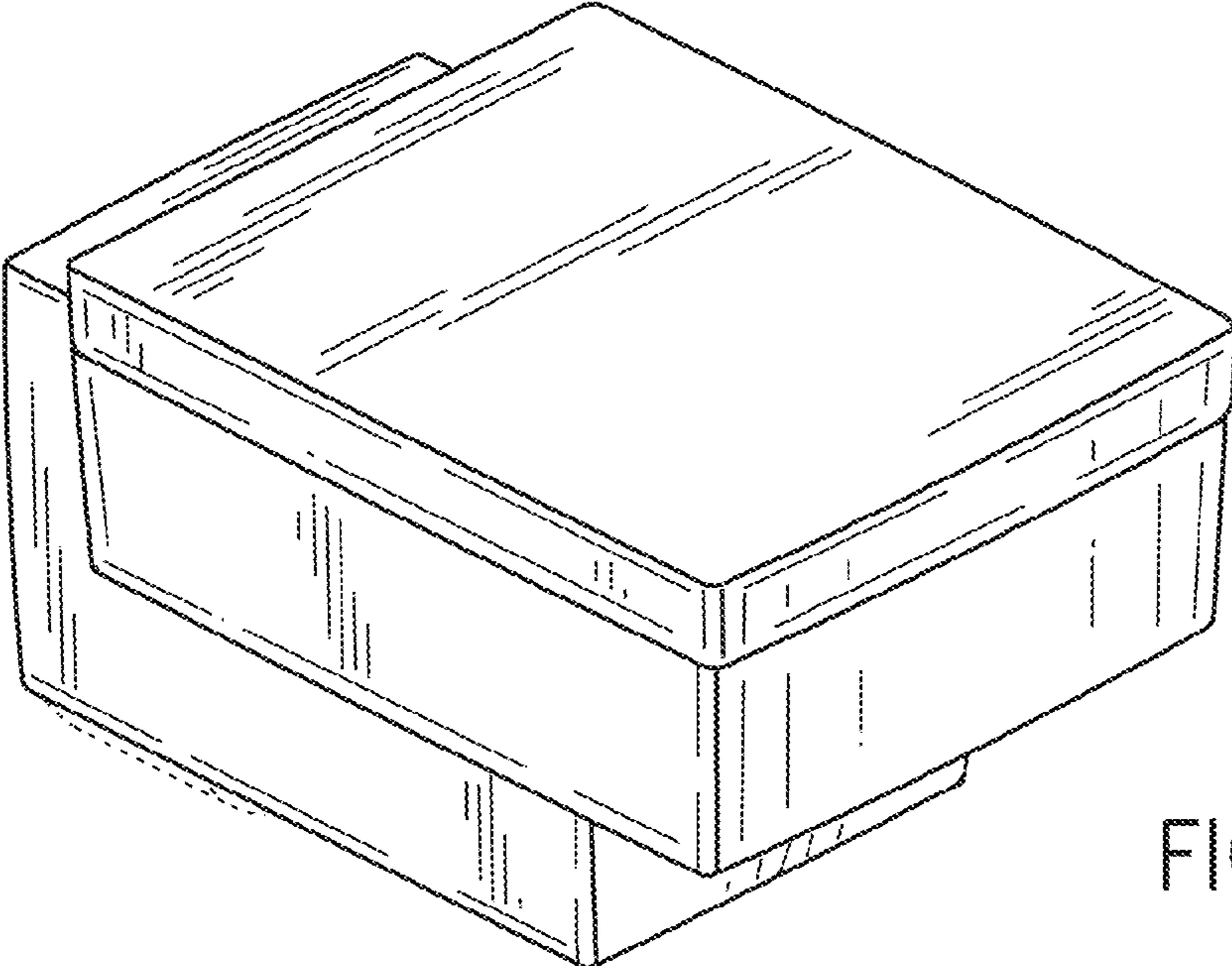


FIG. 1

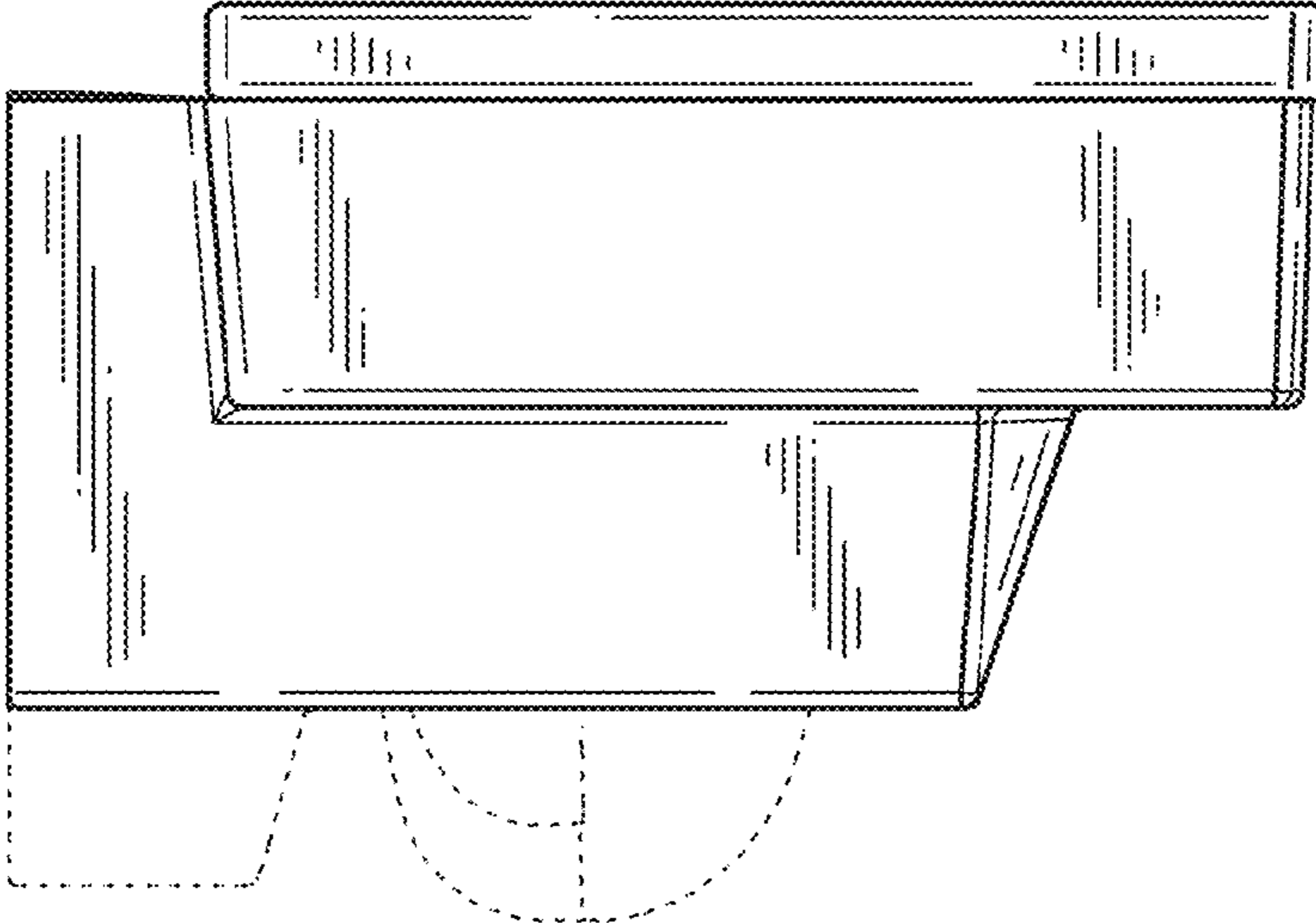
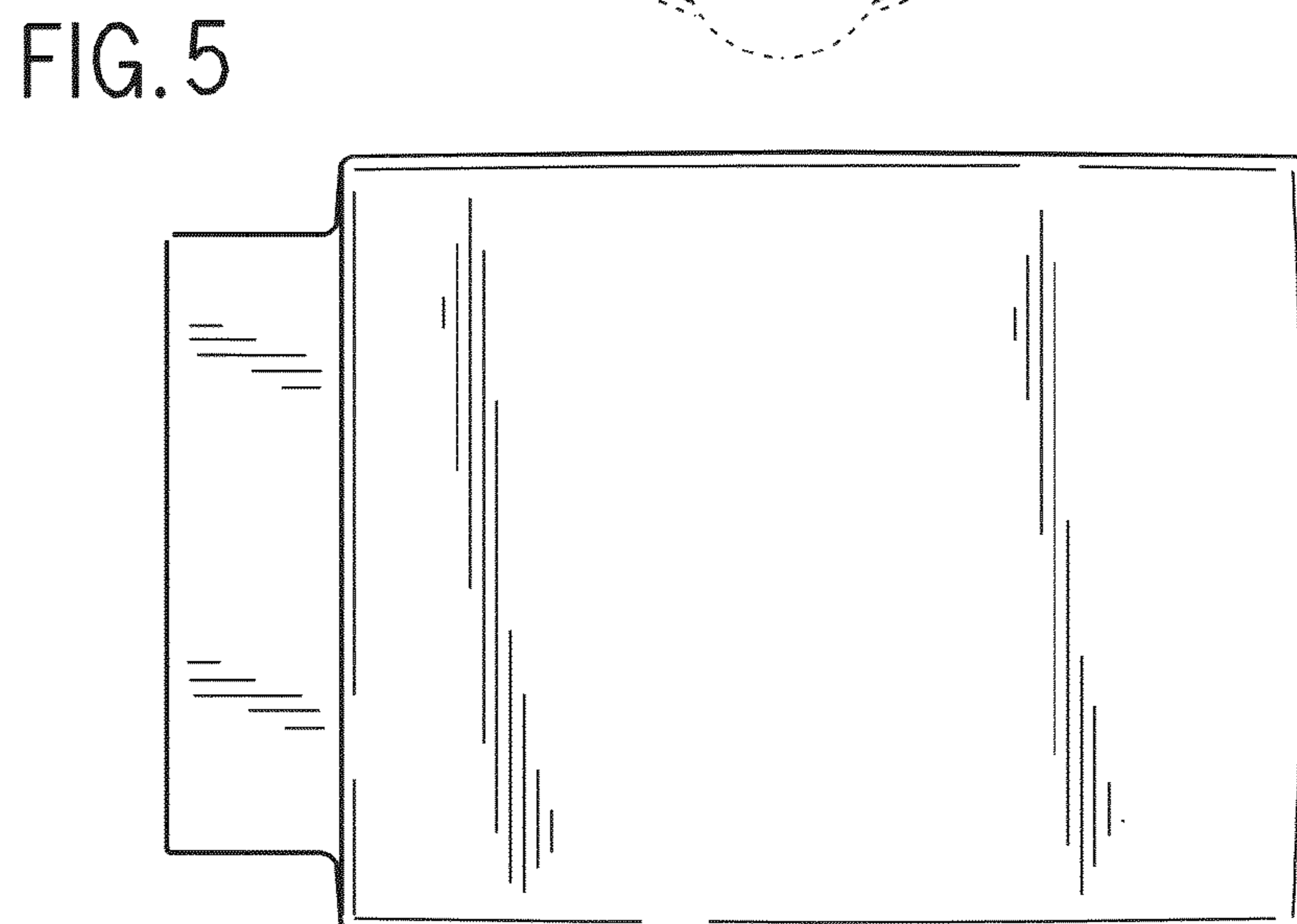
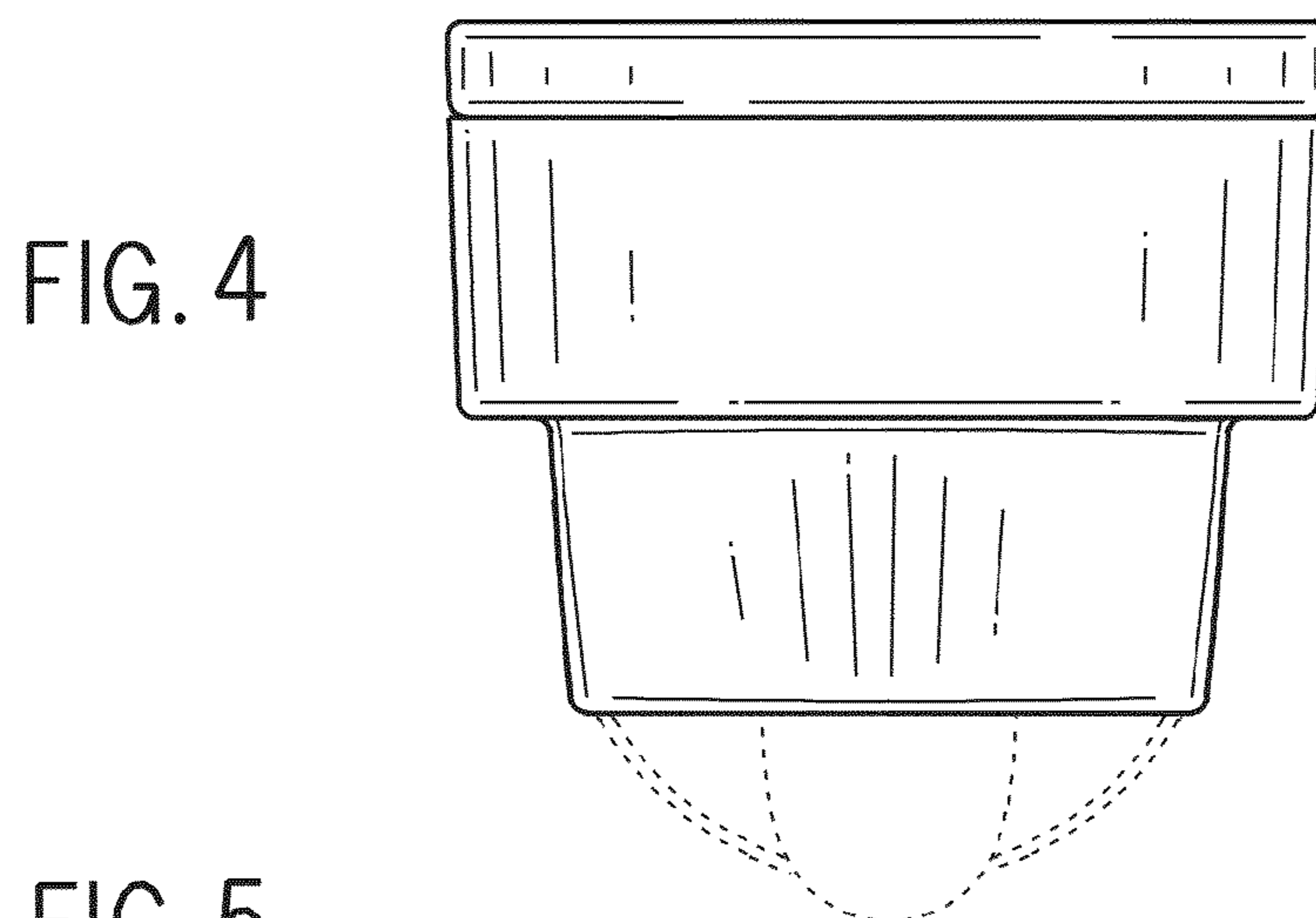
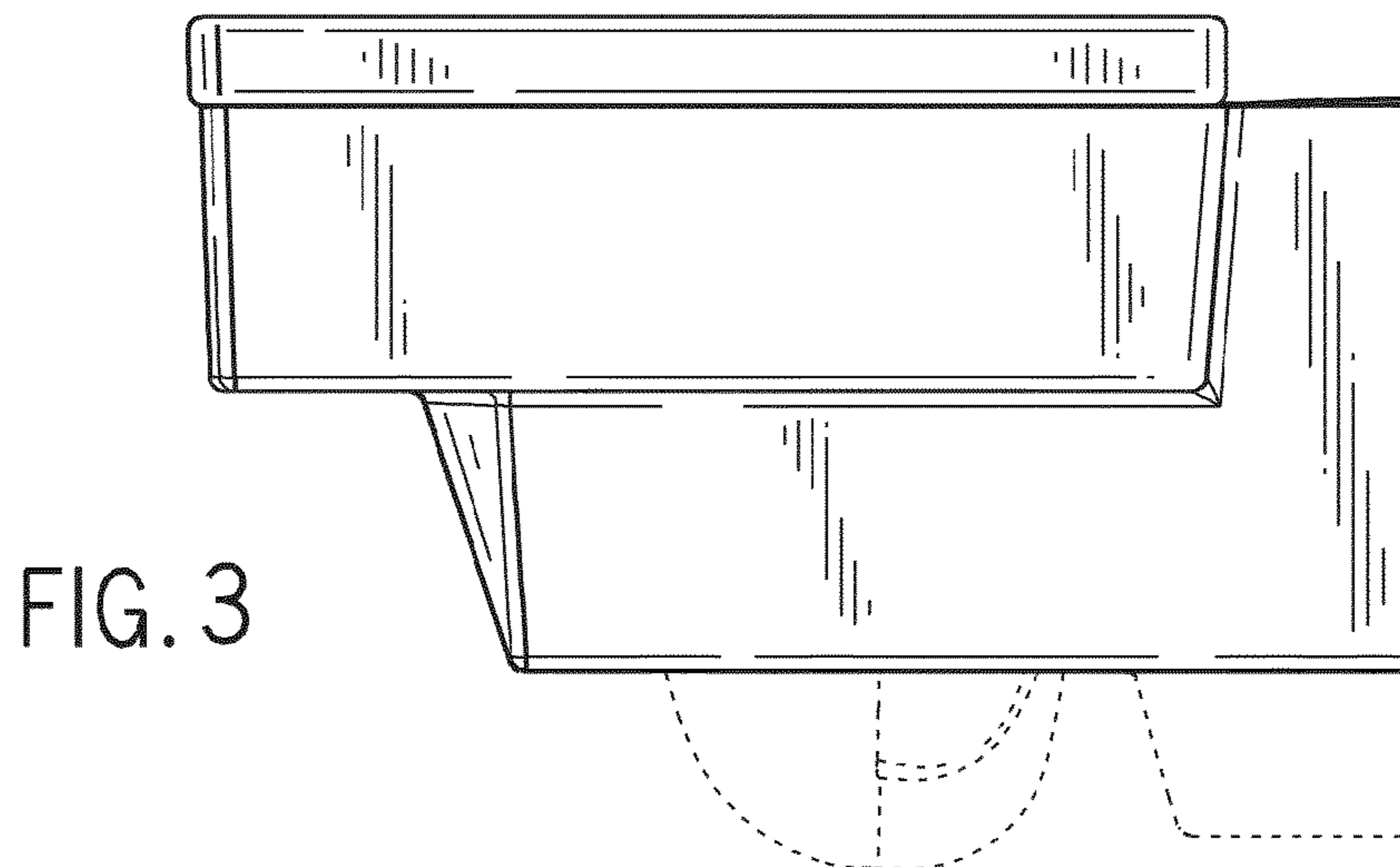


FIG. 2



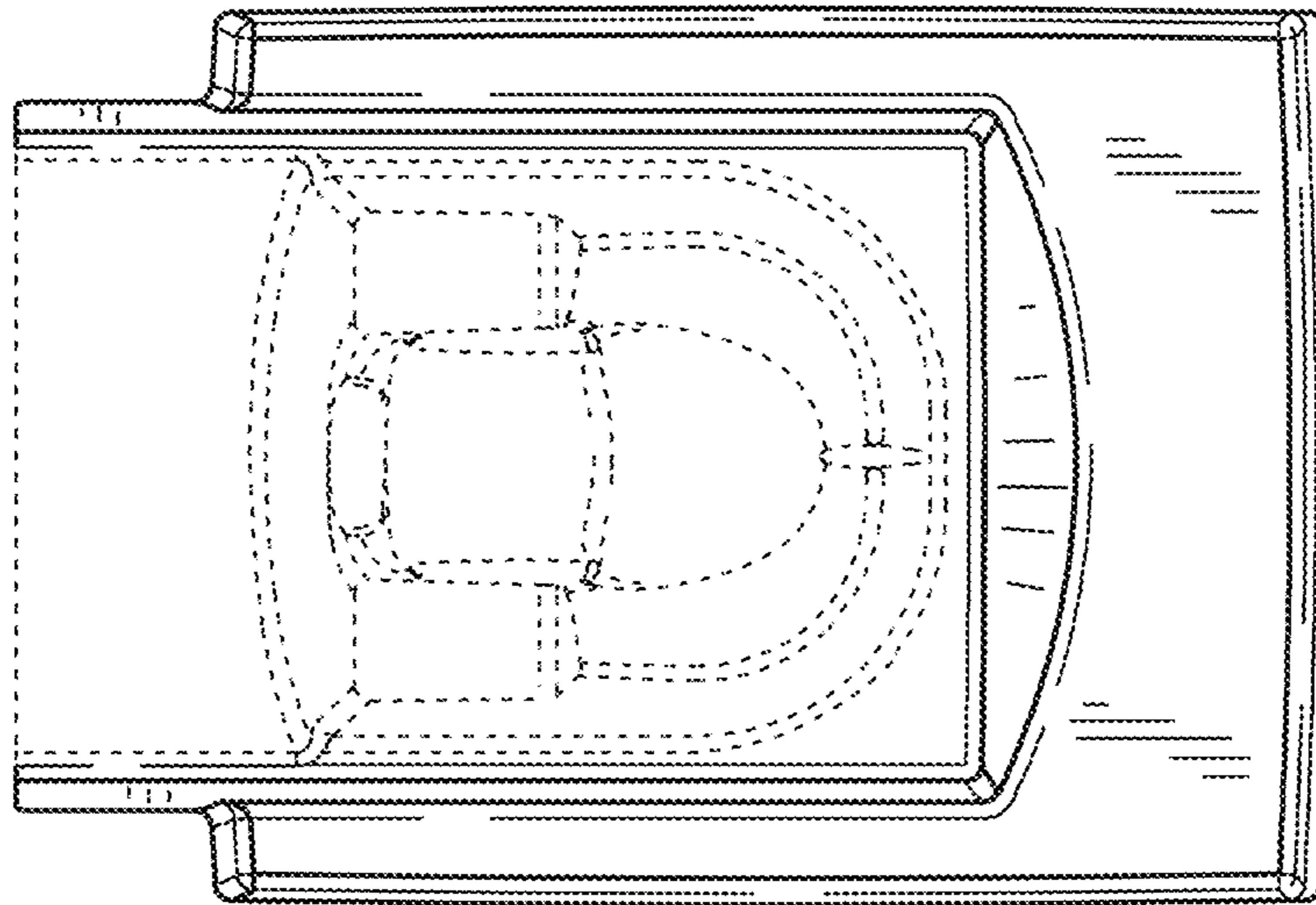


FIG. 6

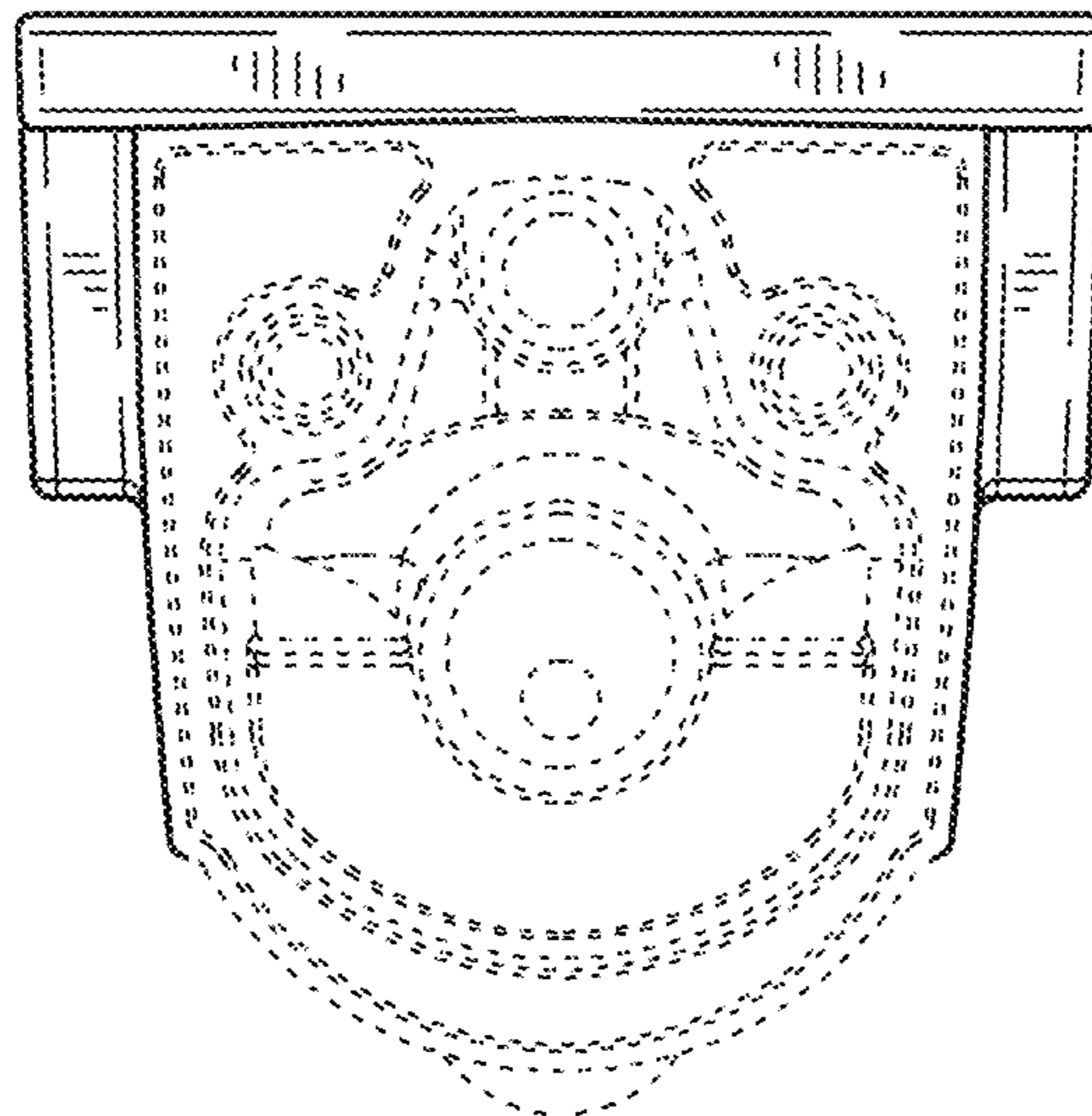


FIG. 7