



US00D719244S

(12) **United States Design Patent**
Yang

(10) **Patent No.:** **US D719,244 S**
(45) **Date of Patent:** **** Dec. 9, 2014**

- (54) **HOSE CONNECTOR**
- (71) Applicant: **Telebrands Corp.**, Fairfield, NJ (US)
- (72) Inventor: **Jun Yang**, Ningbo (CN)
- (73) Assignee: **Telebrands Corp.**, Fairfield, NY (US)
- (**) Term: **14 Years**
- (21) Appl. No.: **29/421,857**
- (22) Filed: **Oct. 3, 2012**
- (51) **LOC (10) Cl.** **23-01**
- (52) **U.S. Cl.**
USPC **D23/262**
- (58) **Field of Classification Search**
USPC D23/262, 259, 260, 266, 385-395, 397,
D23/370-373, 365, 351, 354, 399-403, 421,
D23/499; 454/309, 275-277, 284, 287-291,
454/358-363; 52/302.1, 32.07; 285/229,
285/189, 183, 123.1, 15, 114, 110, 424,
285/197; 165/59
See application file for complete search history.

D392,722 S	3/1998	Kurz	
D394,306 S	5/1998	Clivio	
D402,357 S	12/1998	Clivio	
D403,056 S	12/1998	Clivio	
D406,881 S	3/1999	Kuwabara	
D412,738 S *	8/1999	Kuwabara	D23/233
D442,267 S *	5/2001	Kouda	D23/262
D463,537 S	9/2002	Koza	
6,523,539 B2	2/2003	McDonald et al.	
D482,761 S	11/2003	Gotoh et al.	
D483,096 S	12/2003	Gotoh et al.	
6,948,527 B2	9/2005	Ragner et al.	
D564,076 S	3/2008	Brockington et al.	
D575,377 S	8/2008	Roman	
D584,802 S	1/2009	Goodridge	
D586,433 S	2/2009	Price et al.	
D594,938 S *	6/2009	Dirneder	D23/262
7,549,448 B2	6/2009	Ragner	
D600,322 S *	9/2009	Forsythe	D23/260
D602,128 S *	10/2009	Williams et al.	D23/262

(Continued)

FOREIGN PATENT DOCUMENTS

DE	197 52 008 A1	5/1999
WO	WO 01/27582 A2	4/2001

Primary Examiner — David Muller

(74) *Attorney, Agent, or Firm* — Jeffrey L. Snow; Cooper & Dunham, LLP

(56) **References Cited**
U.S. PATENT DOCUMENTS

543,220 A	7/1895	Ross	
674,045 A	5/1901	Sullivan	
919,444 A	4/1909	Loetzer	
1,220,661 A	3/1917	Many	
1,301,354 A	4/1919	Baird	
2,035,736 A	3/1936	Baird	
2,097,862 A	4/1936	McKay	
2,076,632 A	4/1937	Goodall	
2,409,161 A	10/1946	Sivertsen	
2,634,071 A	4/1953	Lund	
2,858,854 A	11/1958	Daggett	
5,120,092 A *	6/1992	Gorog et al.	285/15
5,158,005 A	10/1992	Negishi et al.	
D387,146 S *	12/1997	Morrison	D23/262

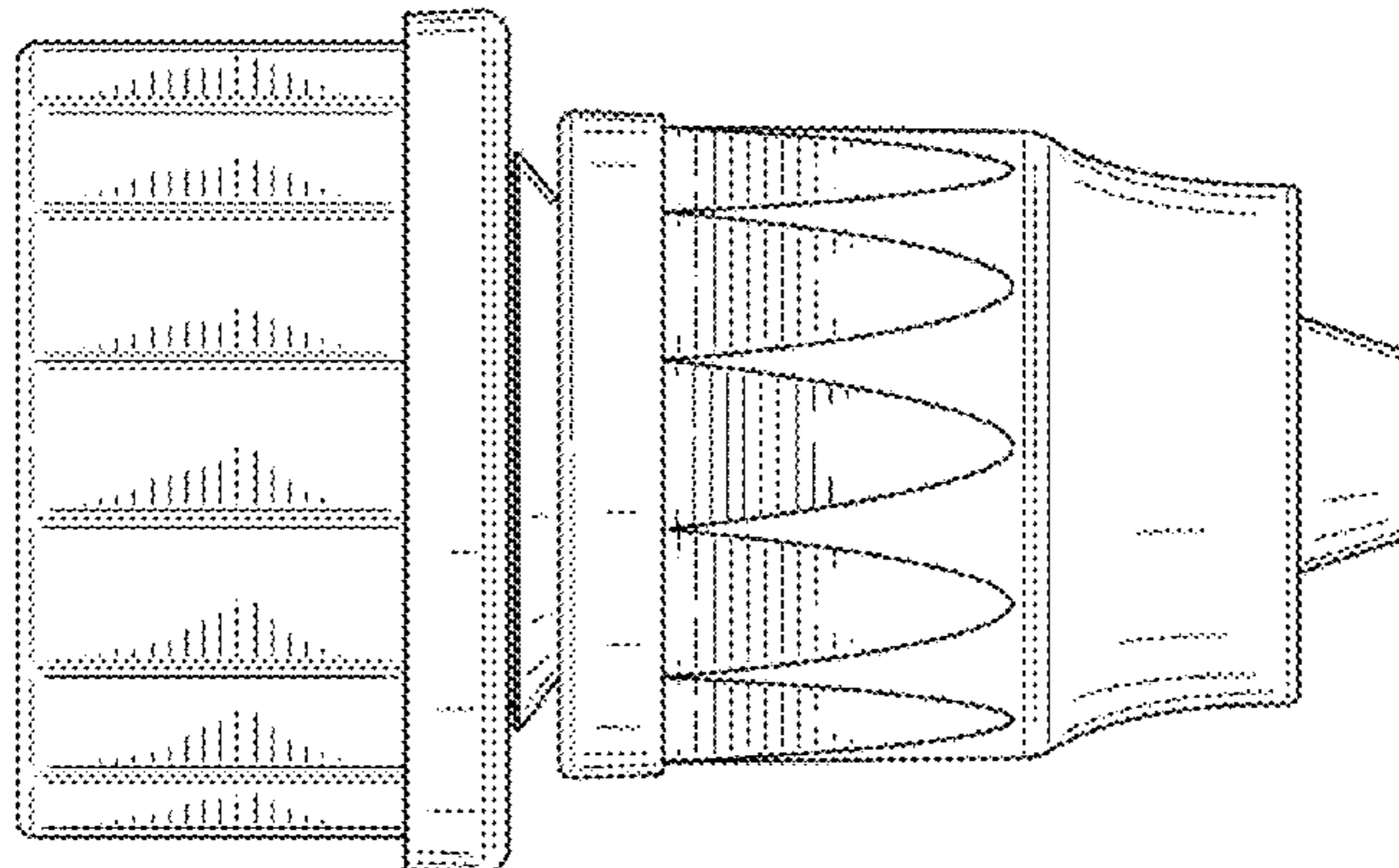
(57) **CLAIM**

The ornamental design for a hose connector, as shown and described.

DESCRIPTION

FIG. 1 is a right side view thereof; FIG. 2 is a front side view thereof; and, FIG. 3 is a left side view thereof. The broken lines are for illustration purposes only and form no part of the claimed design. The shading represents contour of the claimed design.

1 Claim, 2 Drawing Sheets



(56)

References Cited

U.S. PATENT DOCUMENTS

7,617,762 B1 11/2009 Ragner
D608,424 S * 1/2010 Katsuta et al. D23/266
7,721,754 B2 * 5/2010 Knaus et al. 137/318
D616,969 S 6/2010 Zore
D624,161 S 9/2010 Zore
D627,863 S 11/2010 Ball
D632,764 S 2/2011 Cheng
D634,406 S 3/2011 Kilmas
7,900,972 B2 3/2011 Wang et al.

D645,547 S * 9/2011 Lombardi et al. D23/262
D648,006 S 11/2011 Morishita
D648,008 S * 11/2011 Percoco et al. D23/262
D661,787 S * 6/2012 Johnson D23/262
8,291,941 B1 10/2012 Berardi
8,291,942 B2 10/2012 Berardi
D689,184 S * 9/2013 Abe et al. D23/386
2002/0013974 A1 2/2002 Gibson et al.
2004/0183302 A1 9/2004 Allen et al.
2009/0277525 A1 11/2009 Jourdan
2012/0210752 A1 8/2012 Ragner

* cited by examiner

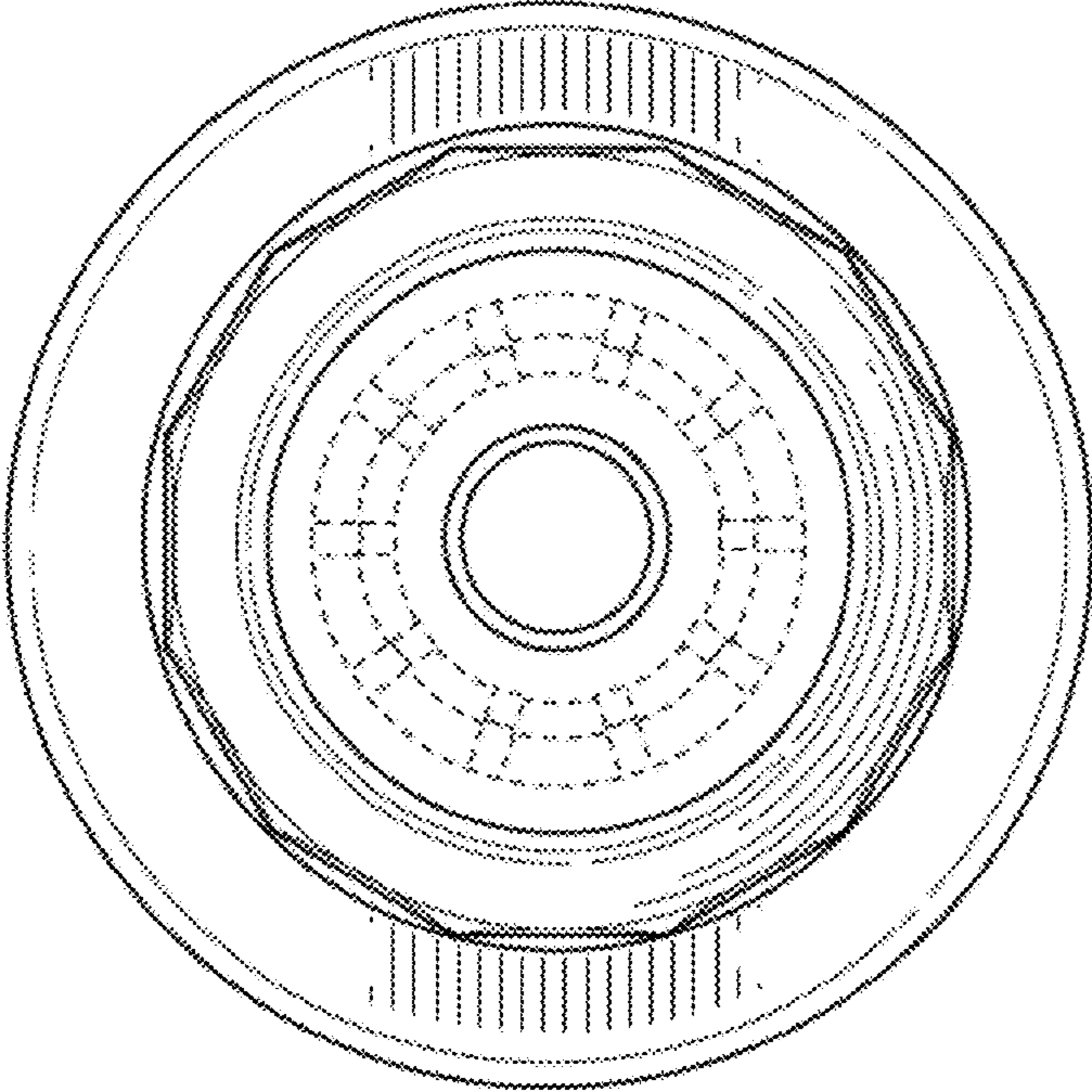


FIG. 1

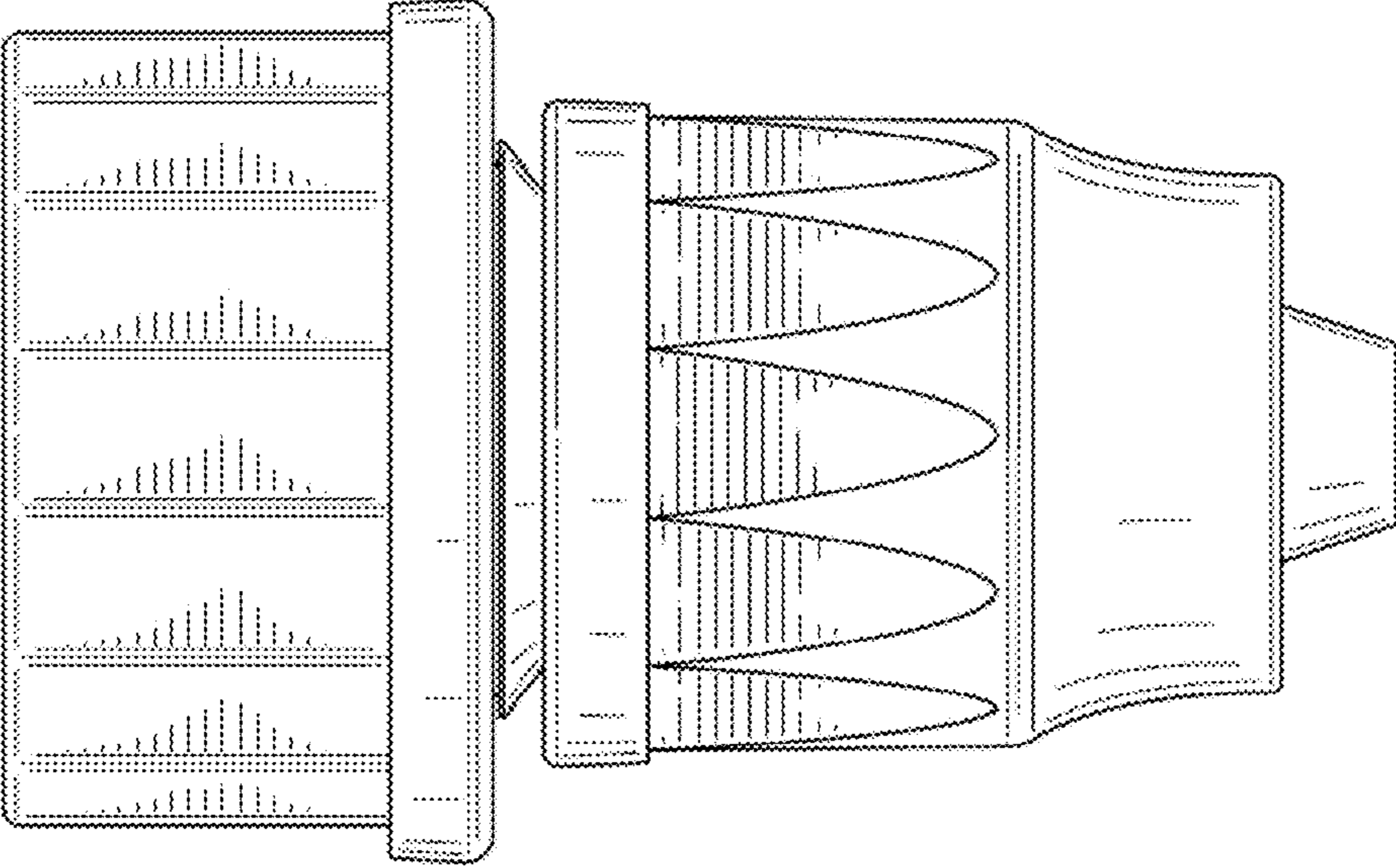


FIG. 2

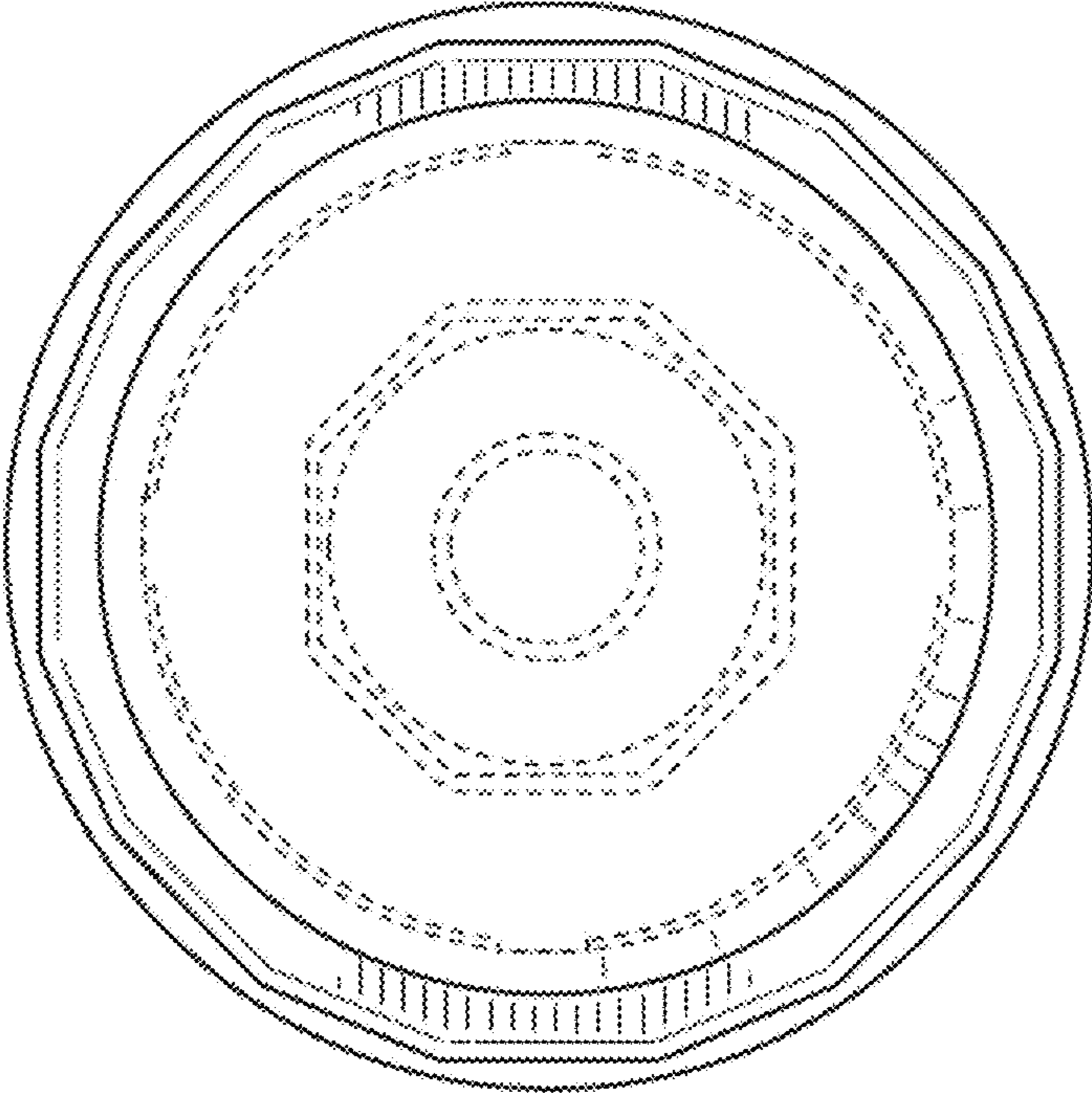


FIG. 3