



US00D719242S

(12) **United States Design Patent**  
**Kim et al.**

(10) **Patent No.:** **US D719,242 S**  
(45) **Date of Patent:** **\*\* Dec. 9, 2014**

- (54) **FAUCET SPOUT**
- (71) Applicant: **Moen Incorporated**, North Olmsted, OH (US)
- (72) Inventors: **Josephina Ji Yeon Kim**, Cleveland, OH (US); **Jennifer P. Sedwick**, Lakewood, OH (US)
- (73) Assignee: **Moen Incorporated**, North Olmsted, OH (US)
- (\*\*) Term: **14 Years**
- (21) Appl. No.: **29/481,027**
- (22) Filed: **Jan. 31, 2014**
- (51) **LOC (10) Cl.** ..... **23-01**
- (52) **U.S. Cl.**  
USPC ..... **D23/255**
- (58) **Field of Classification Search**  
USPC ..... D23/238, 241–243, 249, 255, 257;  
4/675–678; 137/801  
See application file for complete search history.

D533,922 S	12/2006	Miao	
D535,357 S	1/2007	Zhou	
D539,870 S	4/2007	Lammel et al.	
D550,330 S	9/2007	Mullenmeister	
D566,238 S	4/2008	Lammel et al.	
D567,912 S	4/2008	Juratovac et al.	
D580,022 S *	11/2008	Gilbert	D23/255
D602,122 S *	10/2009	Corbett	D23/238
D607,544 S	1/2010	Roy	
D610,653 S	2/2010	Schoenherr et al.	
7,909,061 B2	3/2011	Nelson	
D642,242 S *	7/2011	Corbett	D23/255
D645,123 S *	9/2011	Corbett	D23/255
D665,876 S	8/2012	Corbett	
D667,933 S	9/2012	Kwok	
D677,366 S	3/2013	Chen	
8,387,661 B2	3/2013	Nelson	

\* cited by examiner

*Primary Examiner* — Robert Delehanty

(74) *Attorney, Agent, or Firm* — Calfee, Halter & Griswold LLP

(57) **CLAIM**

The ornamental design for a faucet spout, as shown and described.

(56) **References Cited**

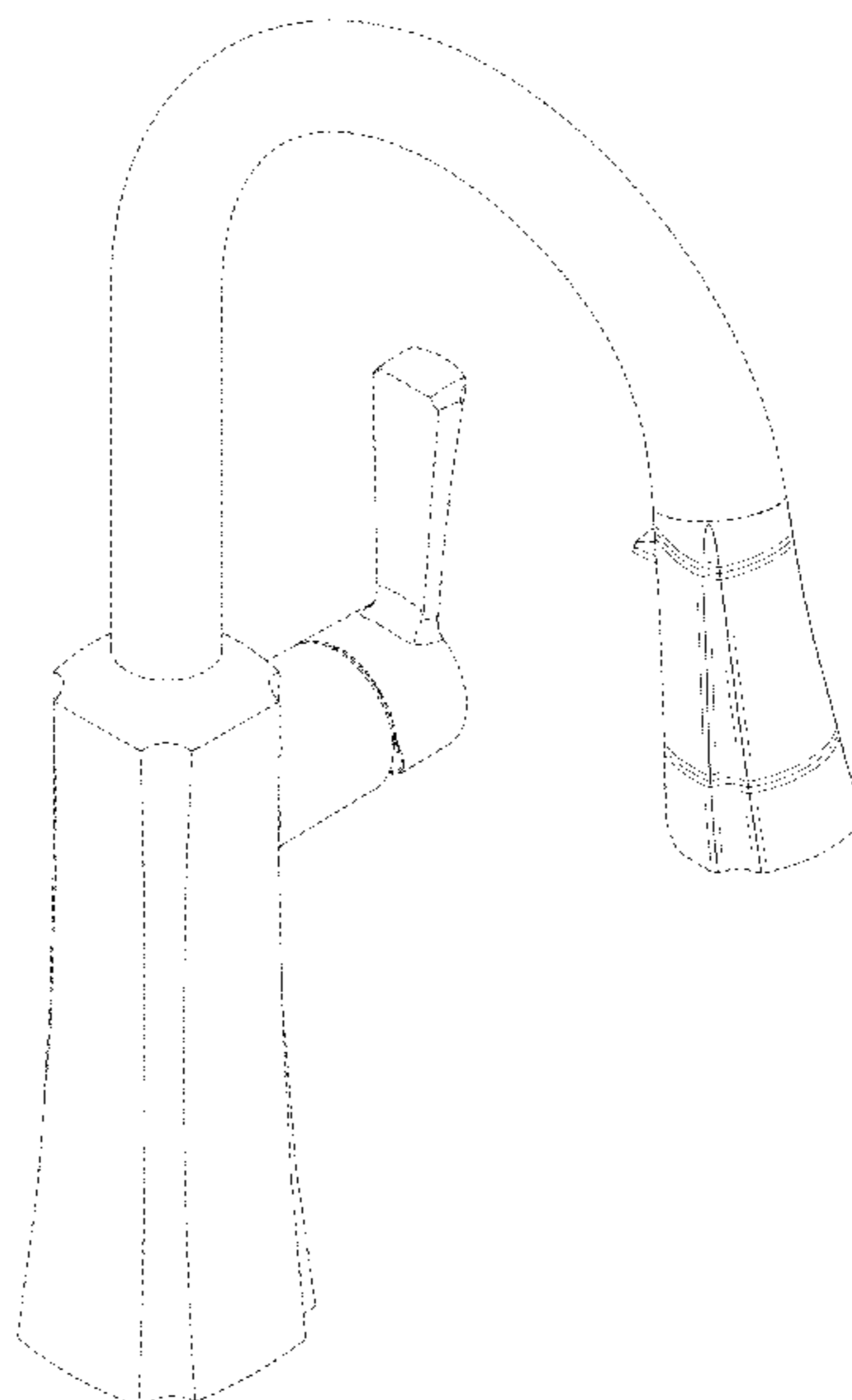
U.S. PATENT DOCUMENTS

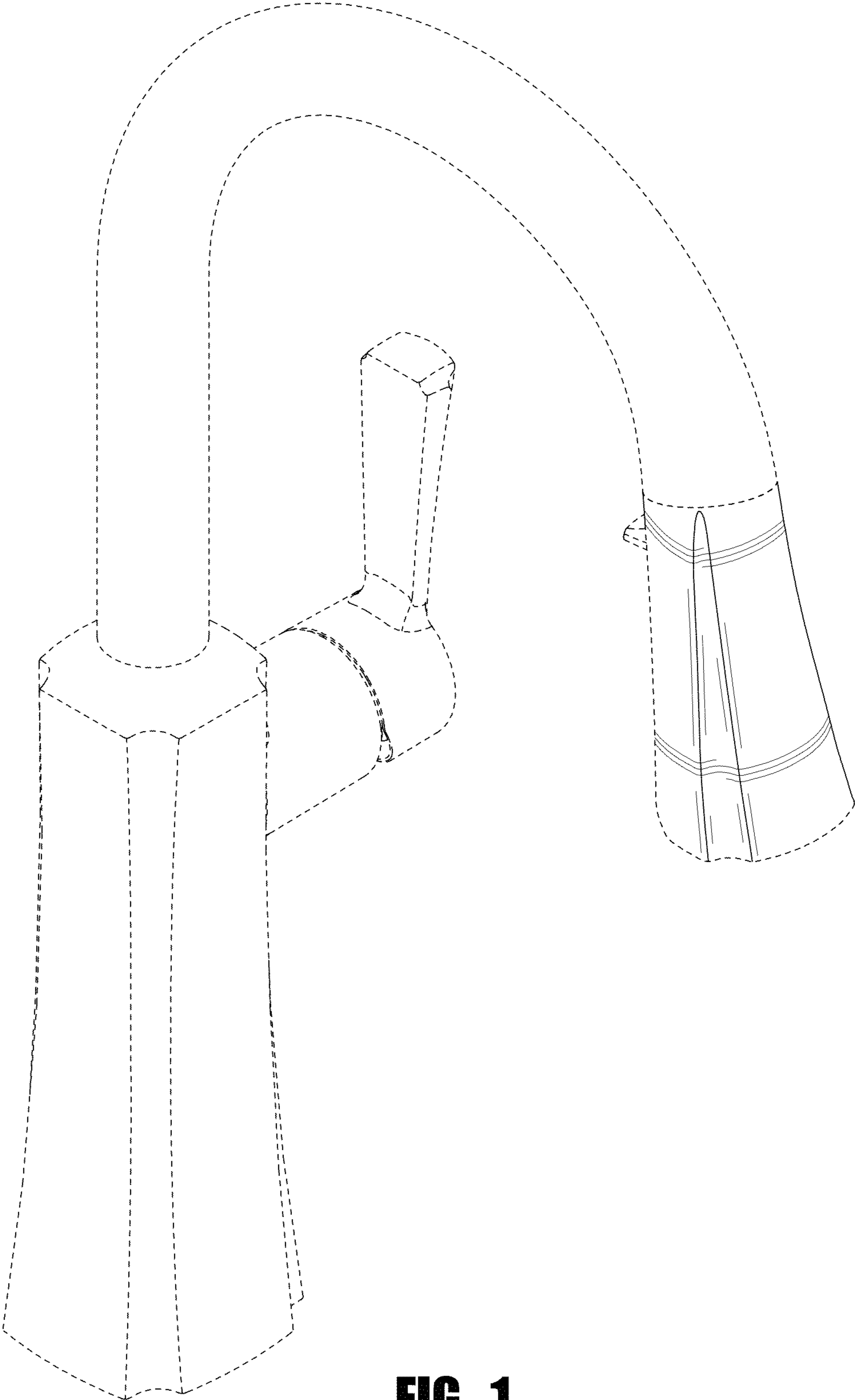
D287,747 S	1/1987	Miller et al.
D320,645 S	10/1991	Knapp et al.
D328,782 S	8/1992	Paterson et al.
D472,961 S	4/2003	Ziemann
D478,157 S	8/2003	Yegyayan
D479,310 S	9/2003	Ziemann
D487,798 S	3/2004	Bayer
D488,210 S	4/2004	Lord
6,757,921 B2	7/2004	Esche
6,810,539 B2	11/2004	Bosio
D499,795 S	12/2004	Bayer
D513,788 S	1/2006	Lindholm
D519,190 S	4/2006	Lord
D521,109 S	5/2006	Lord

**DESCRIPTION**

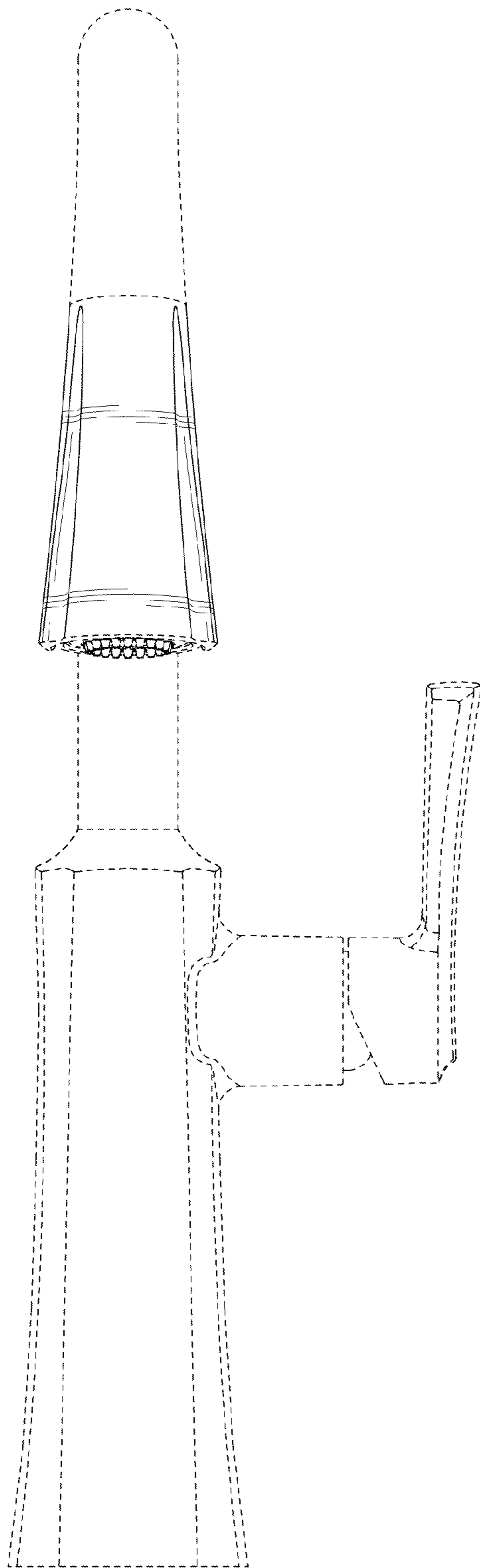
FIG. 1 is a perspective view of a faucet spout of the new design;  
 FIG. 2 is a front elevational view of the faucet spout of FIG. 1;  
 FIG. 3 is a rear elevational view of the faucet spout of FIG. 1;  
 FIG. 4 is a left side elevational view of the faucet spout of FIG. 1, the right side elevational view being a mirror image thereof;  
 FIG. 5 is a top plan view of the faucet spout of FIG. 1; and,  
 FIG. 6 is a bottom plan view of the faucet spout of FIG. 1.  
 The portions of the Figures shown in broken lines are not part of the claimed design and are for illustration only.

**1 Claim, 4 Drawing Sheets**

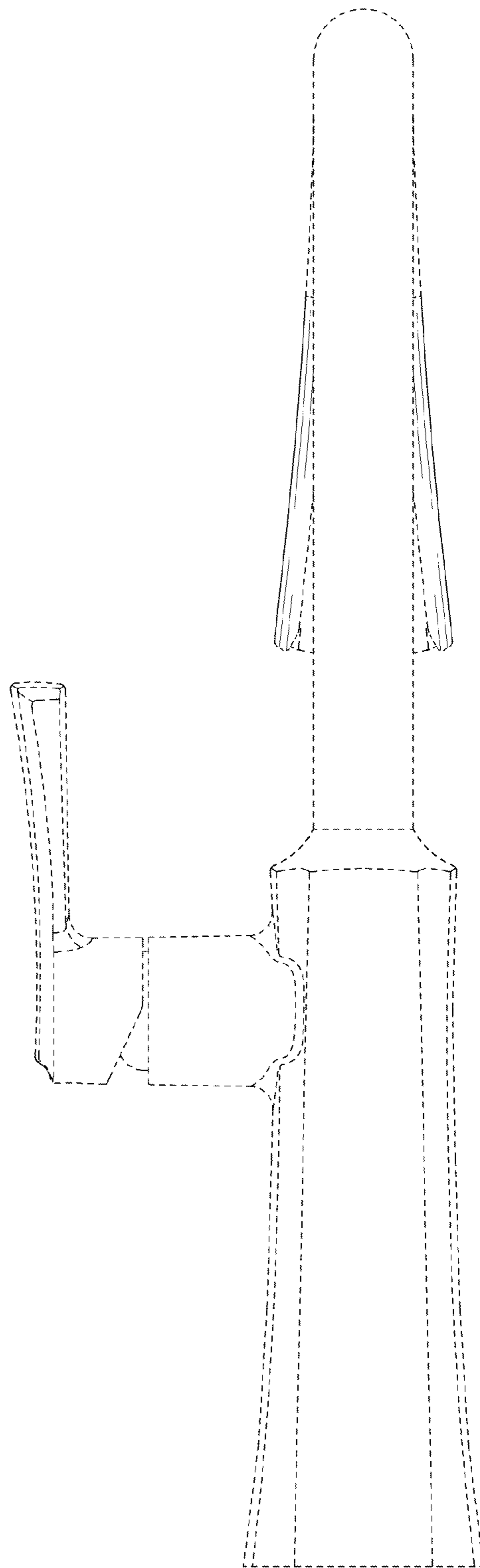




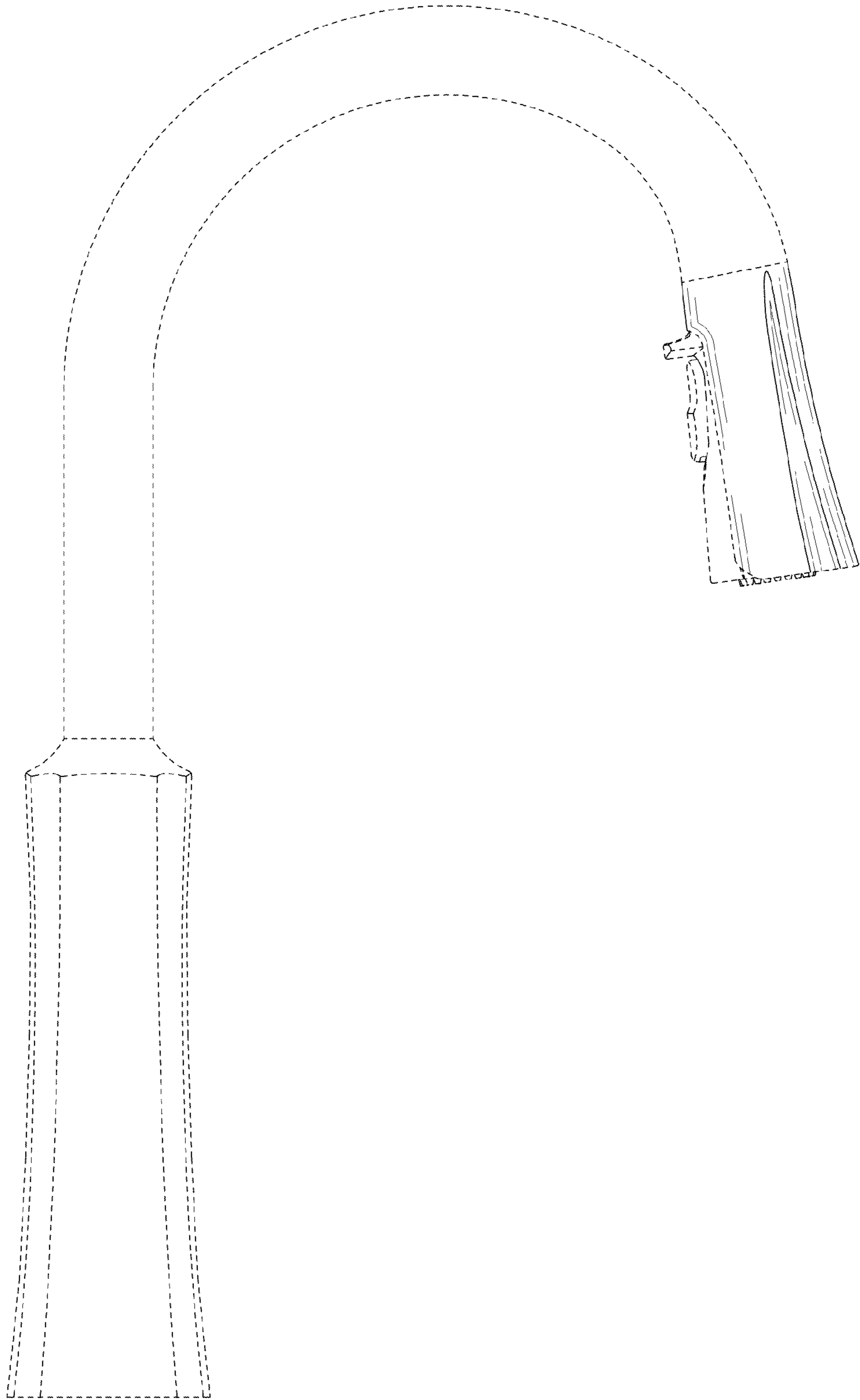
**FIG. 1**



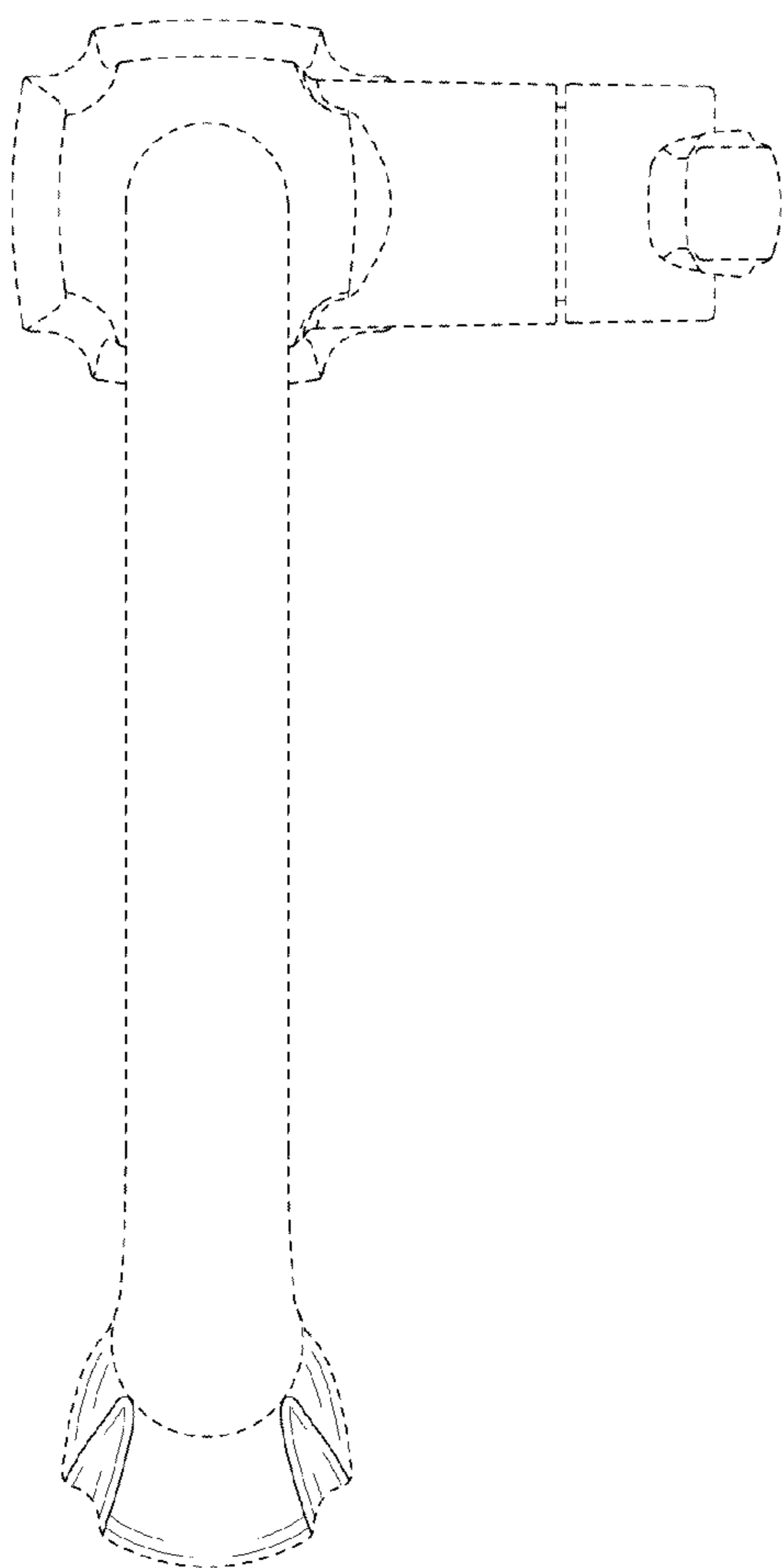
**FIG. 2**



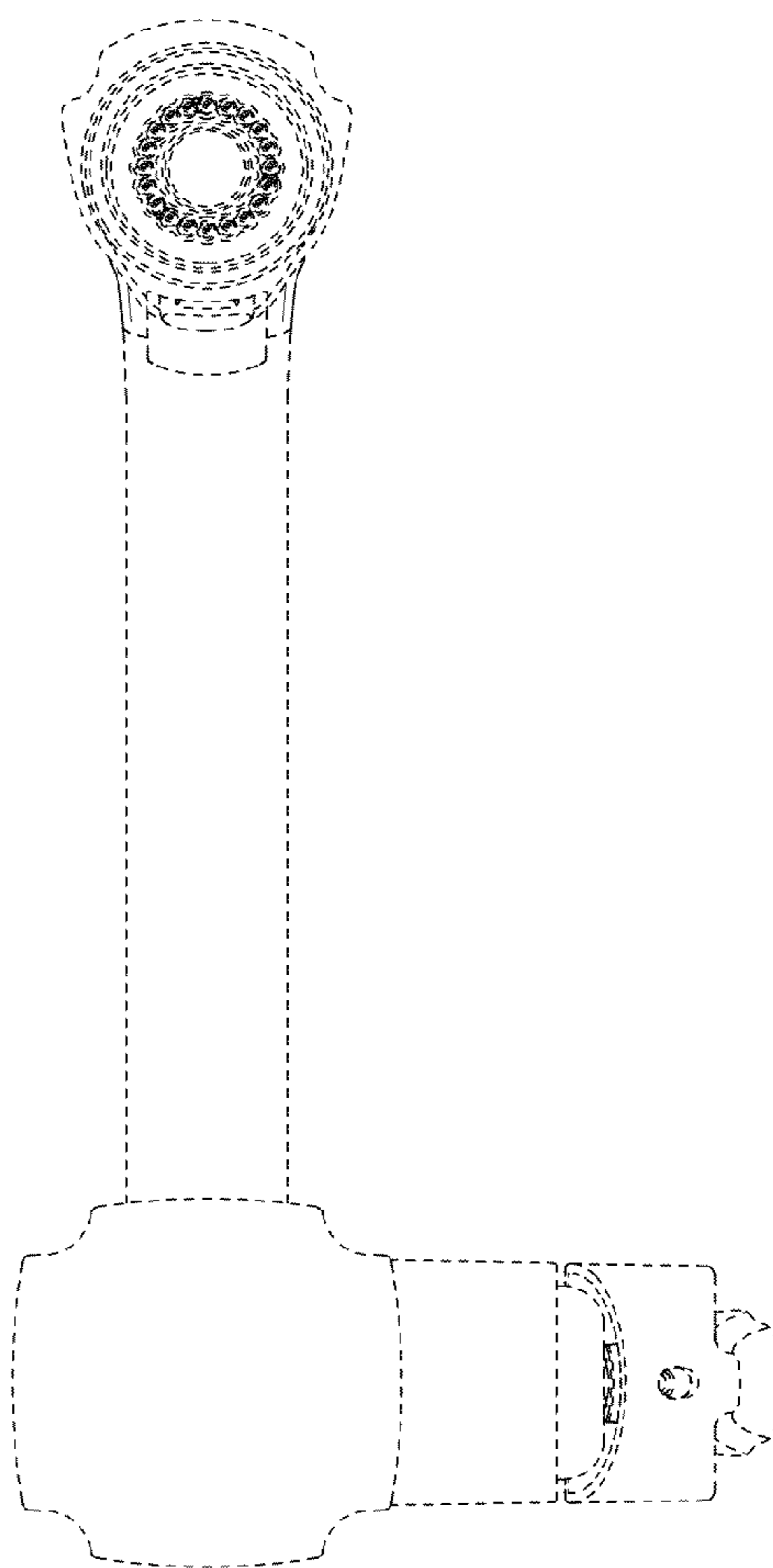
**FIG. 3**



**FIG. 4**



**FIG. 5**



**FIG. 6**