



US00D719241S

(12) **United States Design Patent**
Enzaki

(10) **Patent No.:** **US D719,241 S**

(45) **Date of Patent:** **** Dec. 9, 2014**

(54) **ELECTROMAGNETIC VALVE**
(71) Applicant: **Akira Enzaki**, Tsukubamirai (JP)
(72) Inventor: **Akira Enzaki**, Tsukubamirai (JP)
(73) Assignee: **SMC Corporation**, Chiyoda-ku, Tokyo (JP)

D687,515 S * 8/2013 Iwata et al. D23/233
D696,749 S * 12/2013 Oike et al. D23/233
D698,419 S * 1/2014 Narita D23/233
D698,899 S * 2/2014 Narita D23/233
D698,901 S * 2/2014 Narita D23/233
D699,323 S * 2/2014 Narita D23/233
D702,321 S * 4/2014 Narita D23/233
D704,303 S * 5/2014 Yoshimura et al. D23/233
D708,707 S * 7/2014 Matsumura D23/233

(**) Term: **14 Years**
(21) Appl. No.: **29/482,901**
(22) Filed: **Feb. 24, 2014**

* cited by examiner

Primary Examiner — Cynthia Ramirez
(74) *Attorney, Agent, or Firm* — Yokoi & Co., U.S.A., Inc.;
Toshiyuki Yokoi

(30) **Foreign Application Priority Data**
Nov. 7, 2013 (JP) 2013-026046

(57) **CLAIM**
The ornamental design for an electromagnetic valve, as shown and described.

(51) **LOC (10) Cl.** **23-01**
(52) **U.S. Cl.**
USPC **D23/233**
(58) **Field of Classification Search**
CPC ... F16K 27/067; F16K 27/065; F16K 27/062;
F16K 5/047; F16K 5/0407; F16K 25/005
USPC D23/233–237, 244–249; 251/129.01,
251/129.11, 149.8, 368, 62, 63.5; 137/547,
137/549, 377, 625.4, 625.41, 625.42,
137/625.46, 625.64, 625.65
See application file for complete search history.

DESCRIPTION

FIG. 1 shows a front view of an electromagnetic valve showing my new design;
FIG. 2 shows a rear view thereof;
FIG. 3 shows a right side view thereof;
FIG. 4 shows a left side view thereof;
FIG. 5 shows a top view thereof;
FIG. 6 shows a bottom view thereof;
FIG. 7 shows a bottom, front and left side perspective view thereof; and,
FIG. 8 shows a top, rear and right side exploded perspective view thereof.
The portions of the design shown in broken lines in FIGS. 1-8 are for the purpose of illustrating the environment only and form no part of the claimed design.

(56) **References Cited**
U.S. PATENT DOCUMENTS
D546,520 S * 7/2007 Glas D34/1
D572,344 S * 7/2008 Kato D23/233
D671,194 S * 11/2012 Ikenoya et al. D23/245

1 Claim, 7 Drawing Sheets

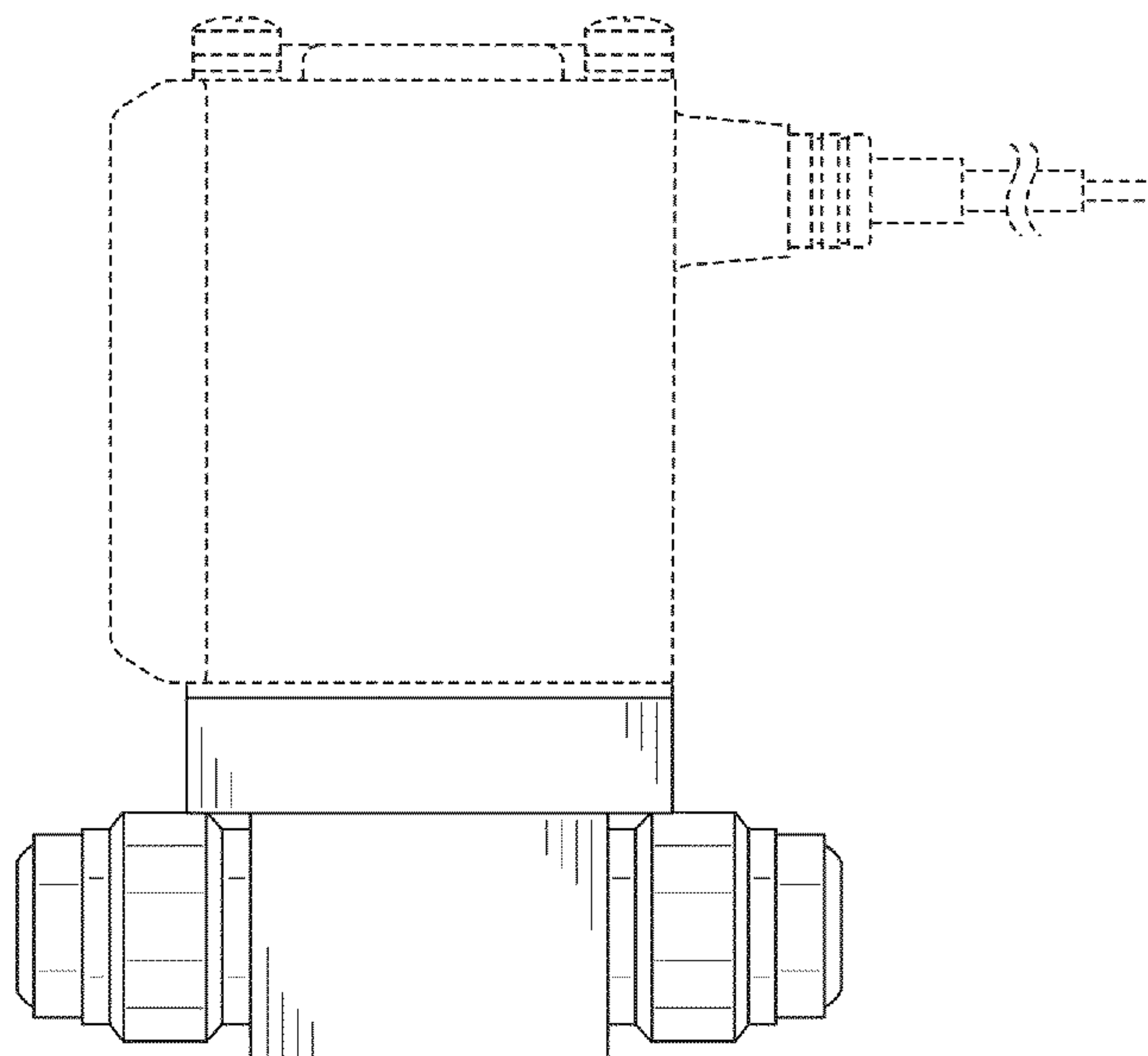


FIG. 1

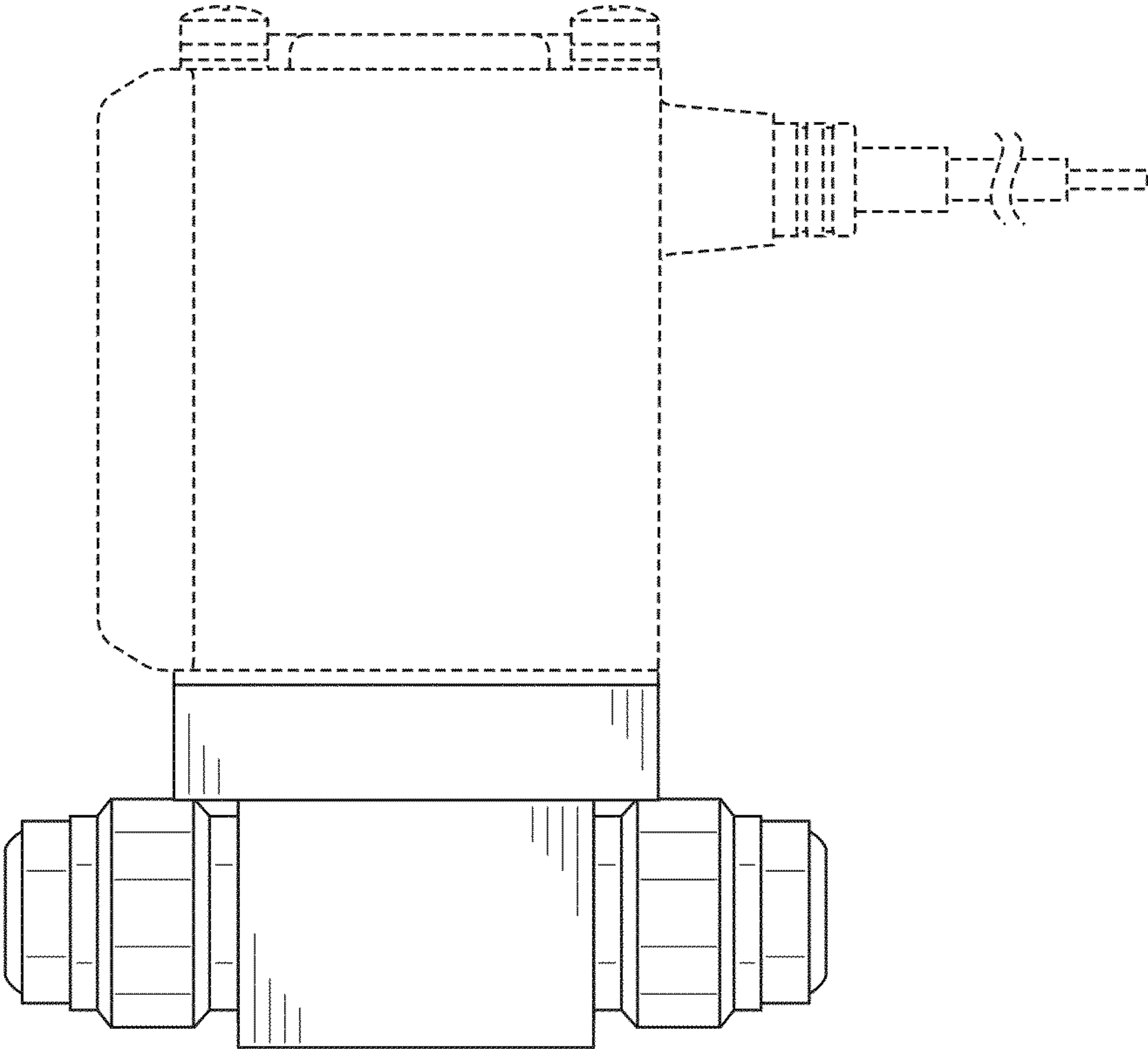


FIG. 2

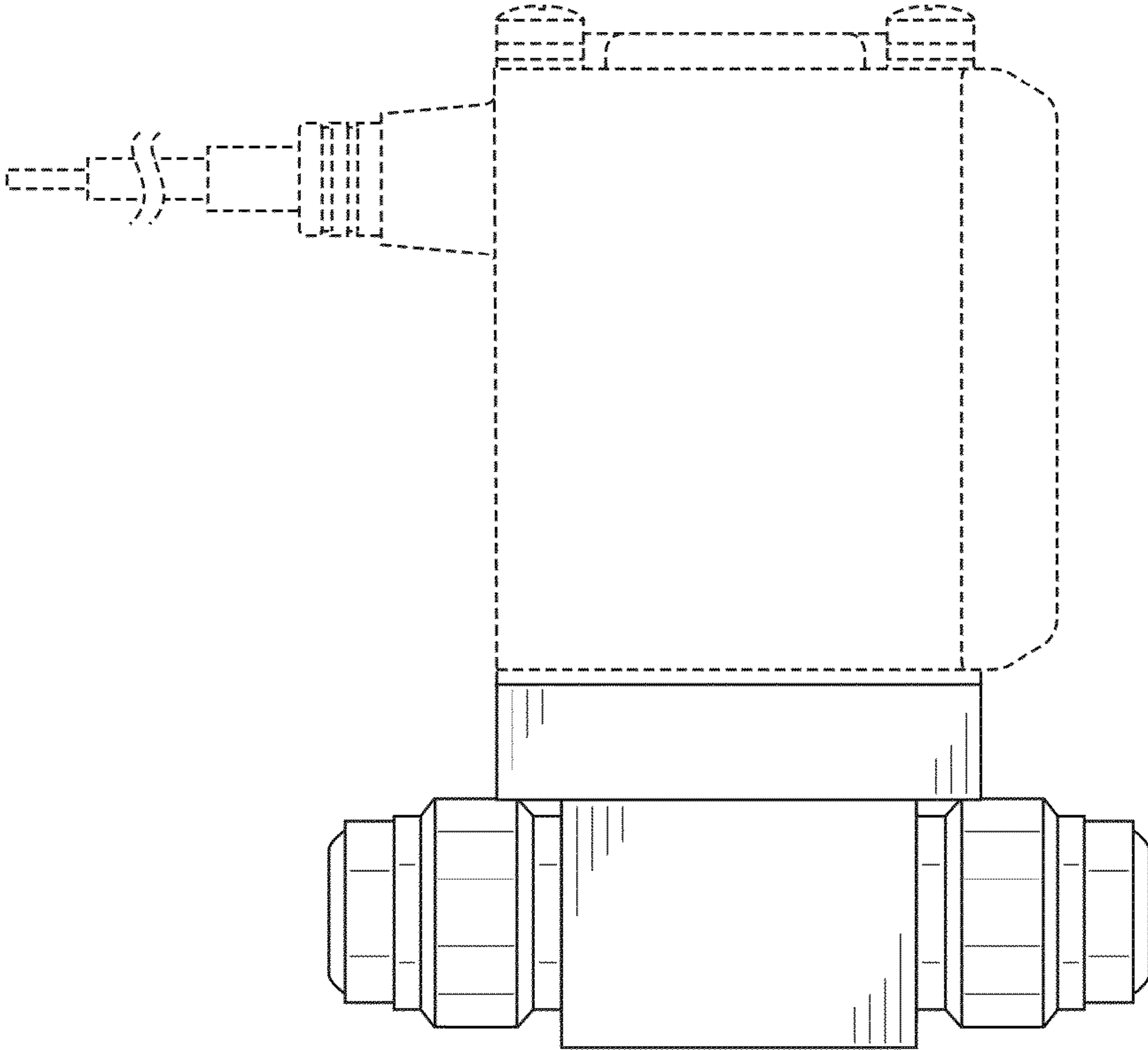


FIG. 3

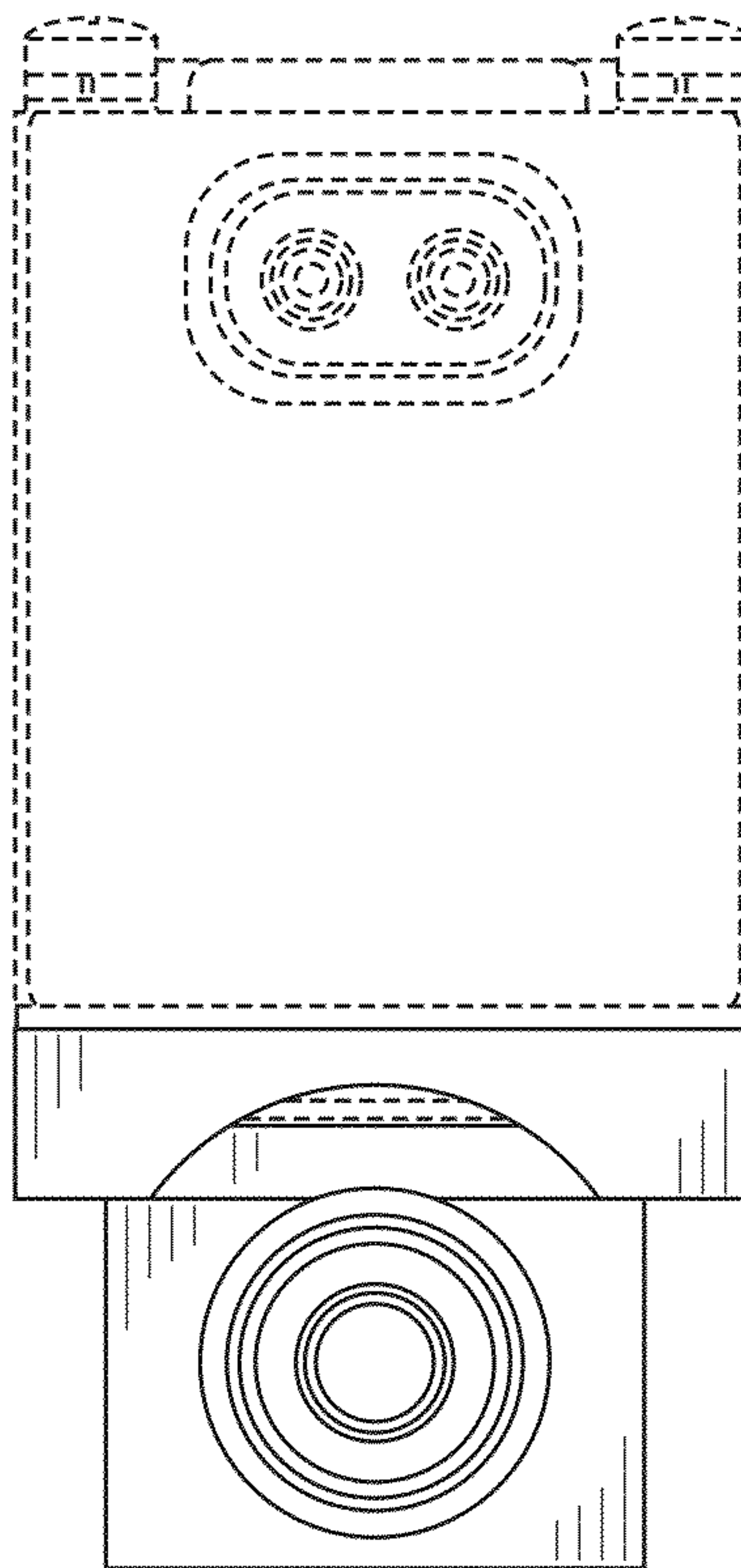


FIG. 4

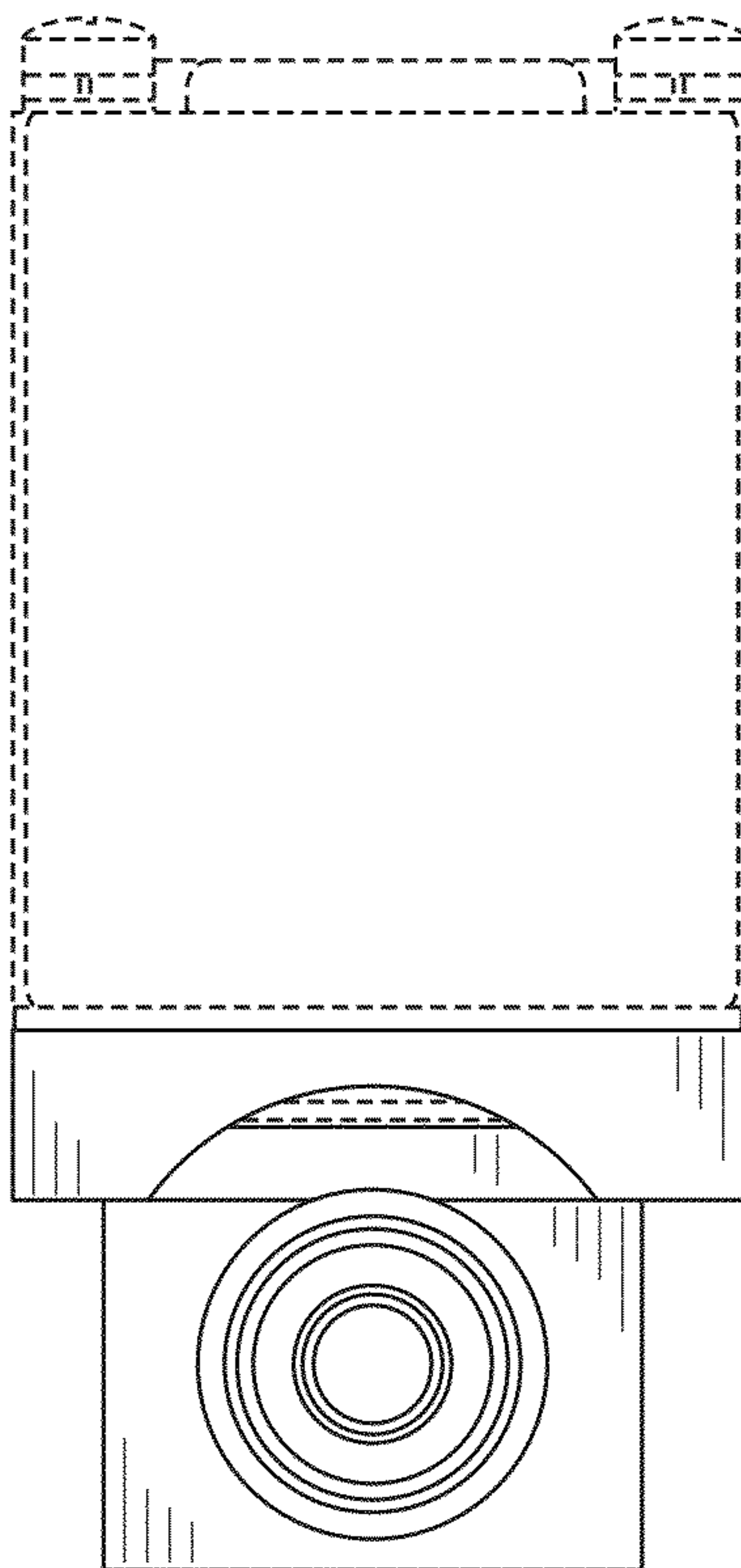


FIG. 5

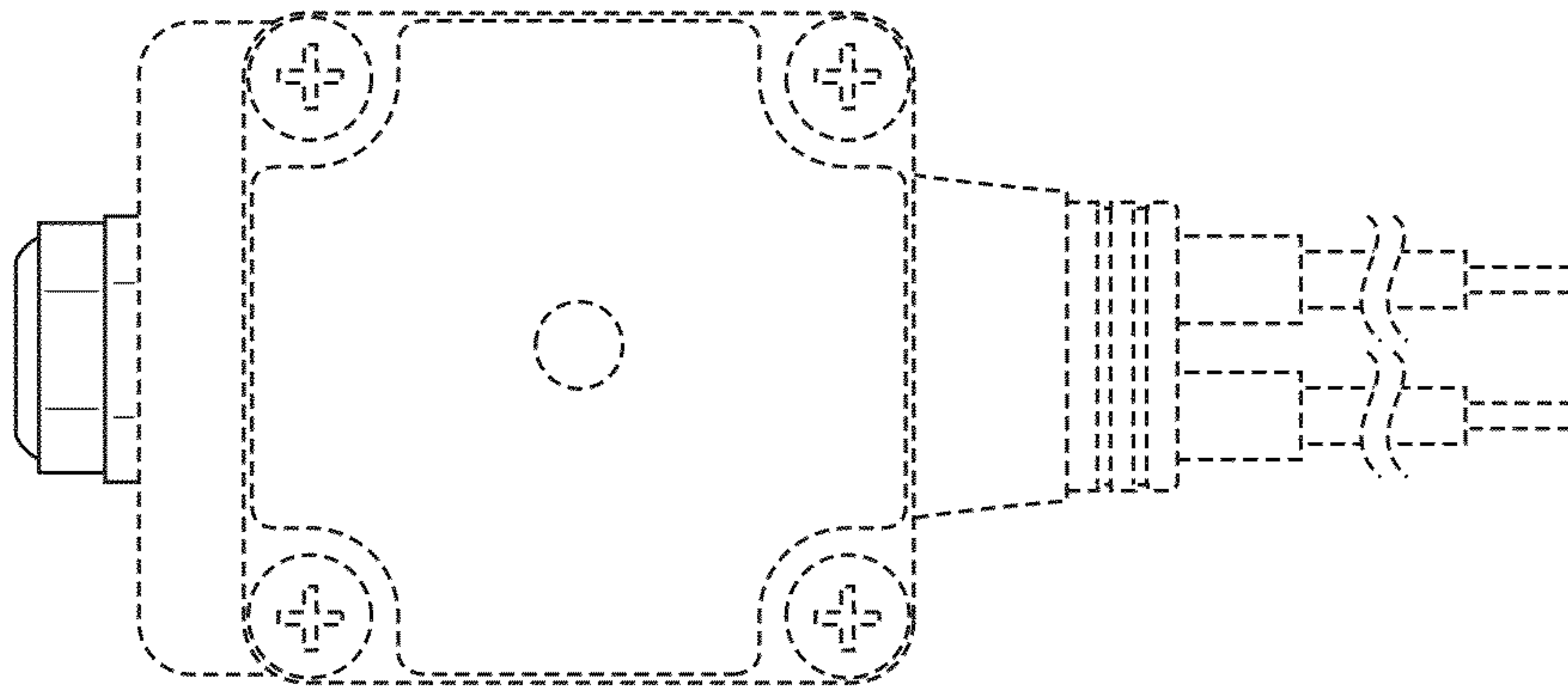


FIG. 6

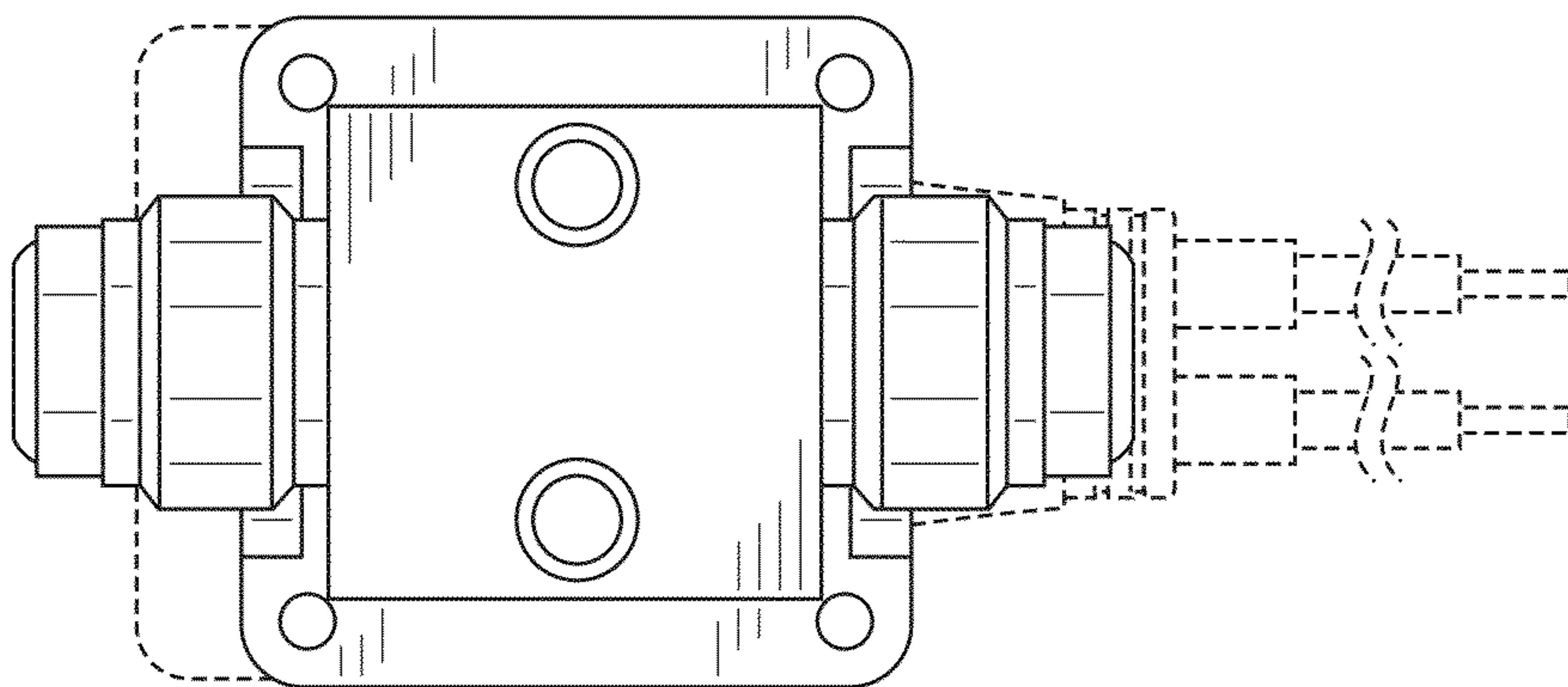


FIG. 7

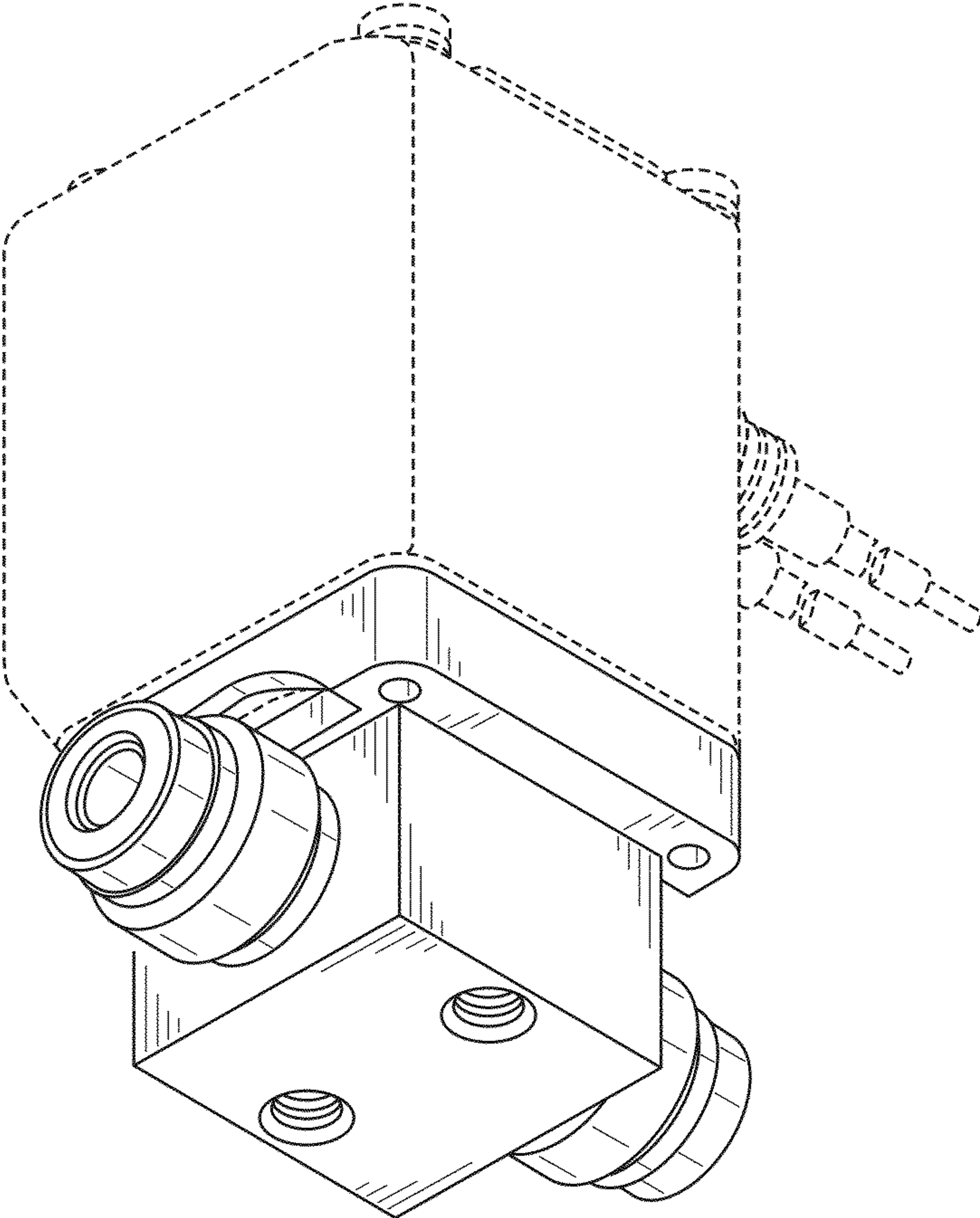


FIG. 8

