



US00D719239S

(12) **United States Design Patent**  
**Woller**

(10) **Patent No.:** **US D719,239 S**  
(45) **Date of Patent:** **\*\* Dec. 9, 2014**

(54) **FOLDING SUPPORT FOR FIELD DRESSING  
GAME ANIMALS**

D386,918 S 12/1997 Collins  
6,251,005 B1 6/2001 Ekes  
6,682,412 B2\* 1/2004 Hendrix ..... 452/187

(71) Applicant: **Ronald Ray Woller**, Decatur, AL (US)

\* cited by examiner

(72) Inventor: **Ronald Ray Woller**, Decatur, AL (US)

*Primary Examiner* — Catheri Oliver-Garcia

(73) Assignee: **Viking Solutions, LLC**, Decatur, AL  
(US)

(57) **CLAIM**

The ornamental design for a folding support for field dressing game animals, as shown and described.

(\*\*) Term: **14 Years**

**DESCRIPTION**

(21) Appl. No.: **29/442,458**

FIG. 1 is a front elevation view of the folding support for field dressing game animals showing the new design;  
FIG. 2 is a top plan view thereof;  
FIG. 3 is a left elevation view thereof;  
FIG. 4 is a right elevation view thereof;  
FIG. 5 is an isometric view thereof;  
FIG. 6 is an isometric view, shown in use; and,  
FIG. 7 is an isometric view, shown folded for storage and/or transportation.

(22) Filed: **Mar. 7, 2013**

(51) **LOC (10) Cl.** ..... **22-99**

(52) **U.S. Cl.**  
USPC ..... **D22/199**

(58) **Field of Classification Search**  
USPC ..... D22/199; 452/185, 197; D6/678.4;  
248/218.4, 219.1; 414/462; 212/180  
See application file for complete search history.

The broken line showing of environment in the drawings is included for the purpose of illustrating only and forms no part of the claimed design.

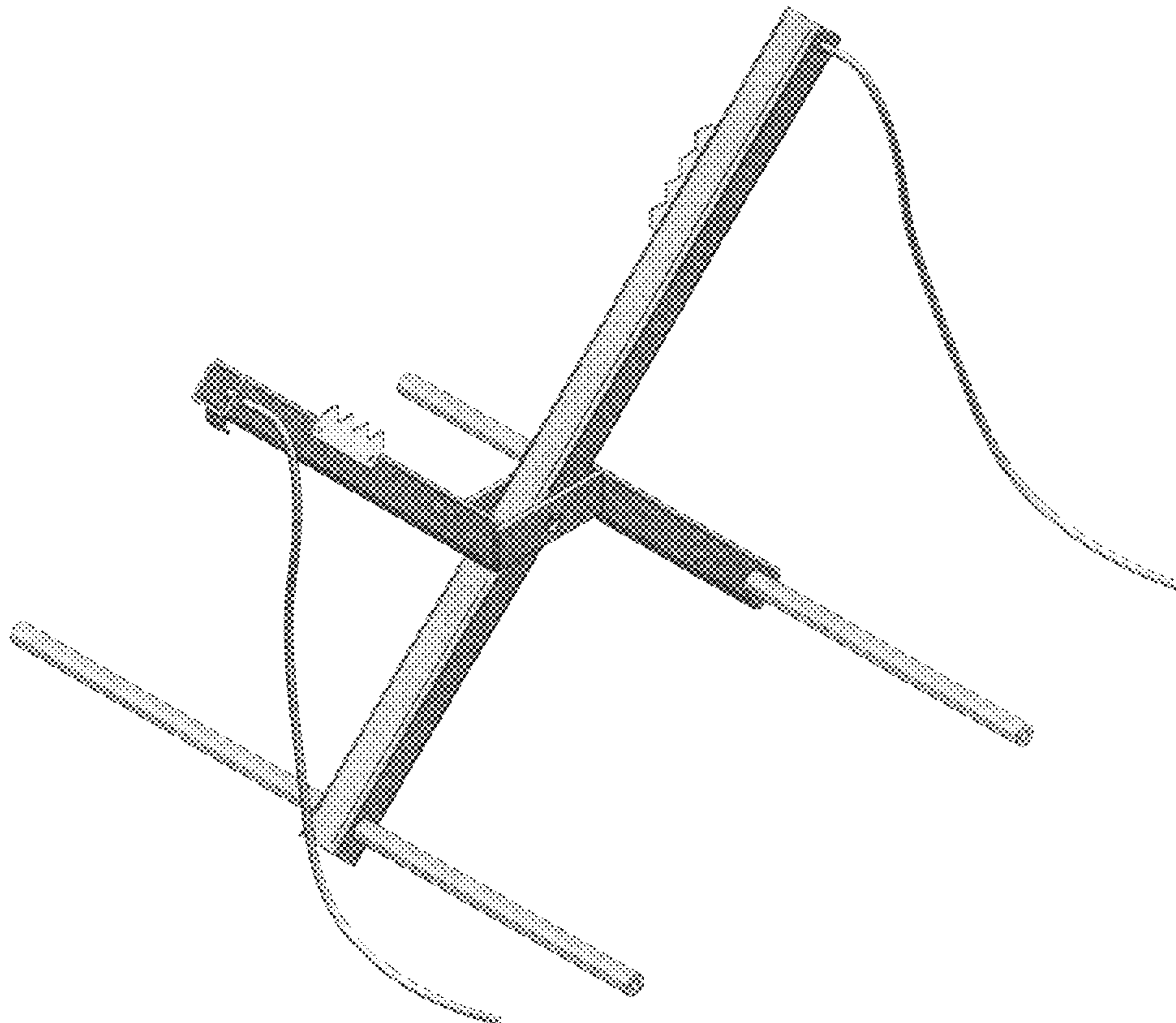
(56) **References Cited**

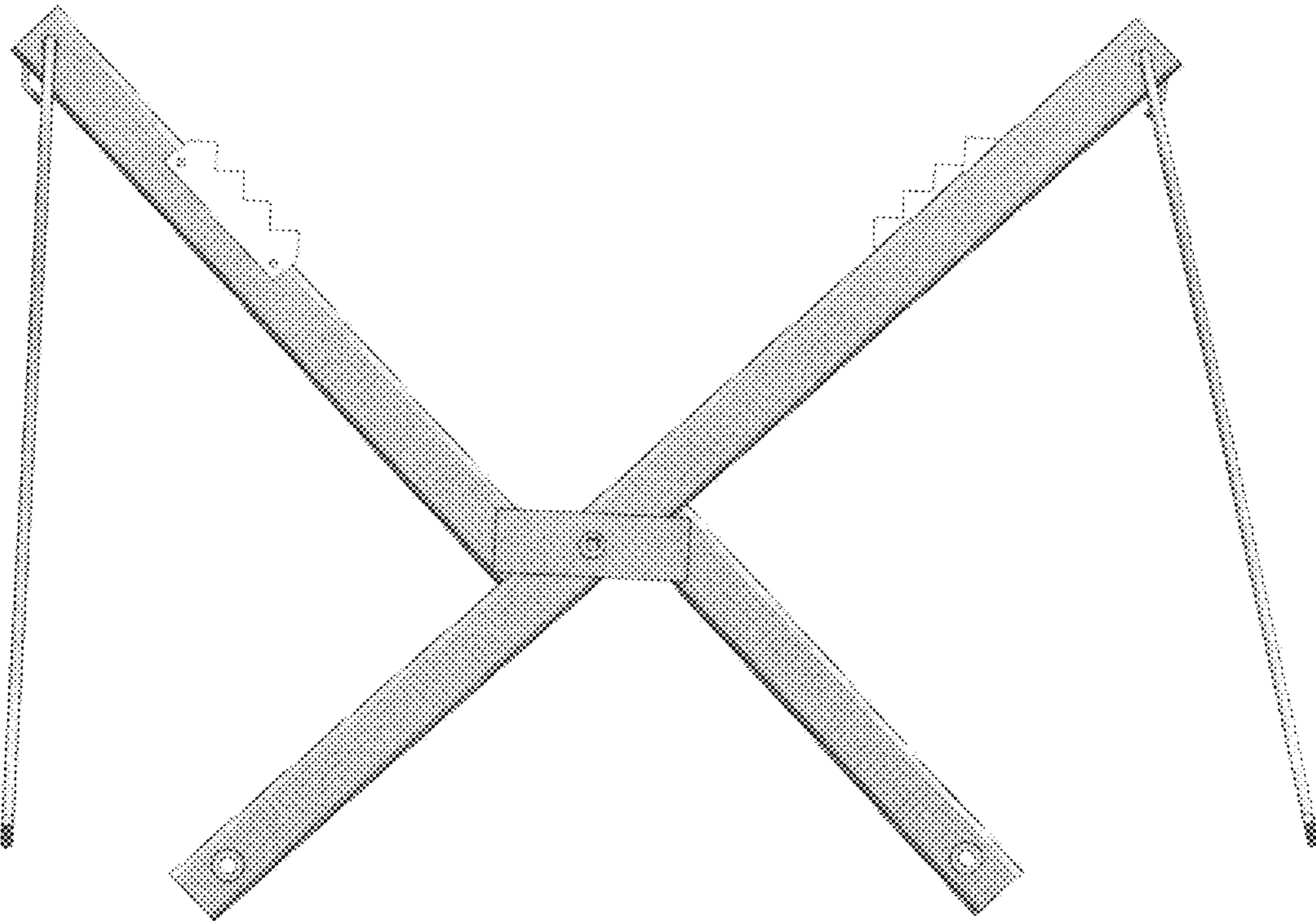
**U.S. PATENT DOCUMENTS**

2,846,942 A 8/1958 Bowman  
3,945,083 A \* 3/1976 Heightshoe ..... 452/187  
5,336,124 A \* 8/1994 Garside ..... 452/187

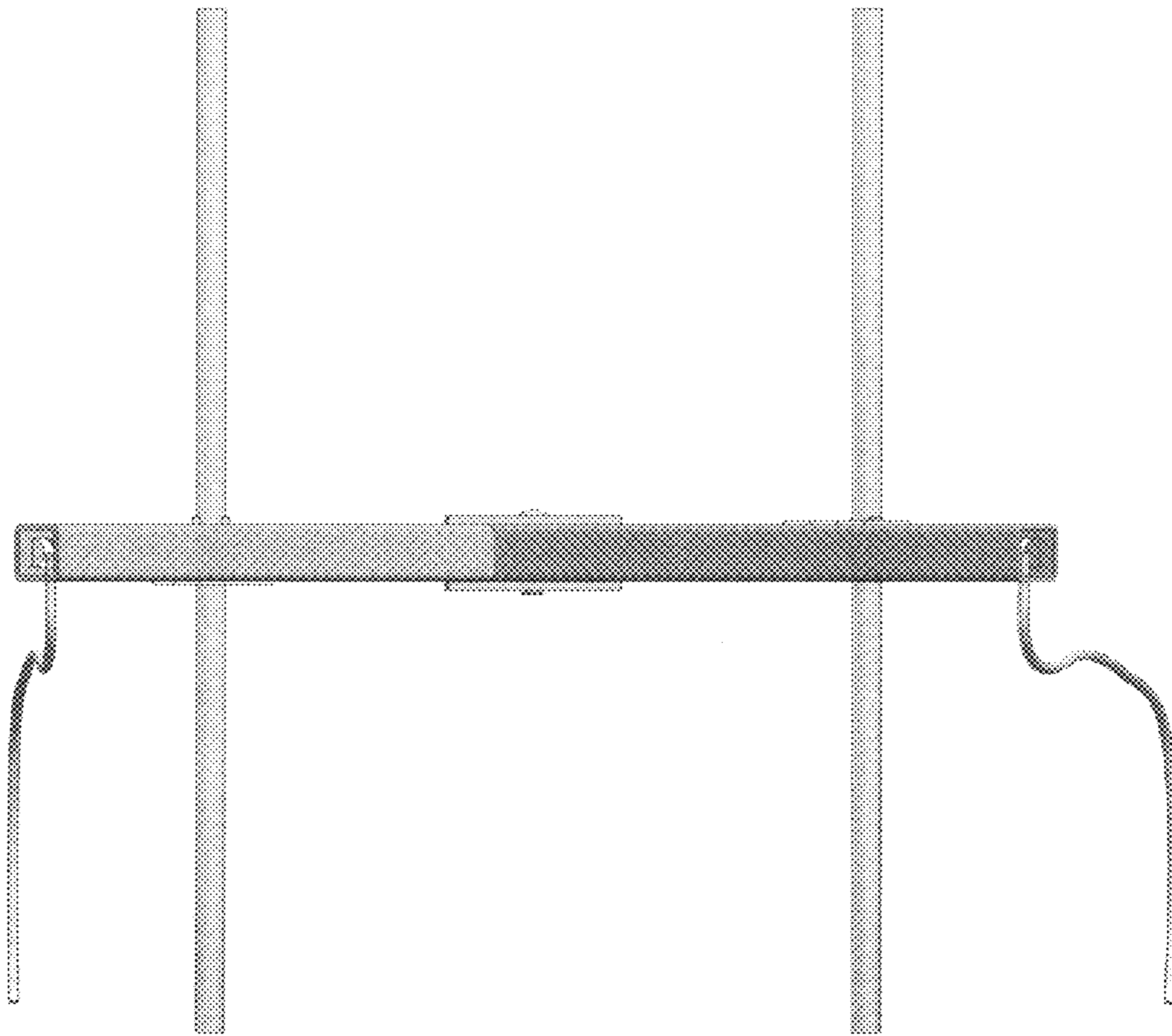
A folding support for field dressing game animals to aid the evisceration of harvested game in the field, including a pair of lanyards for securing the rear legs of the animal.

**1 Claim, 7 Drawing Sheets**

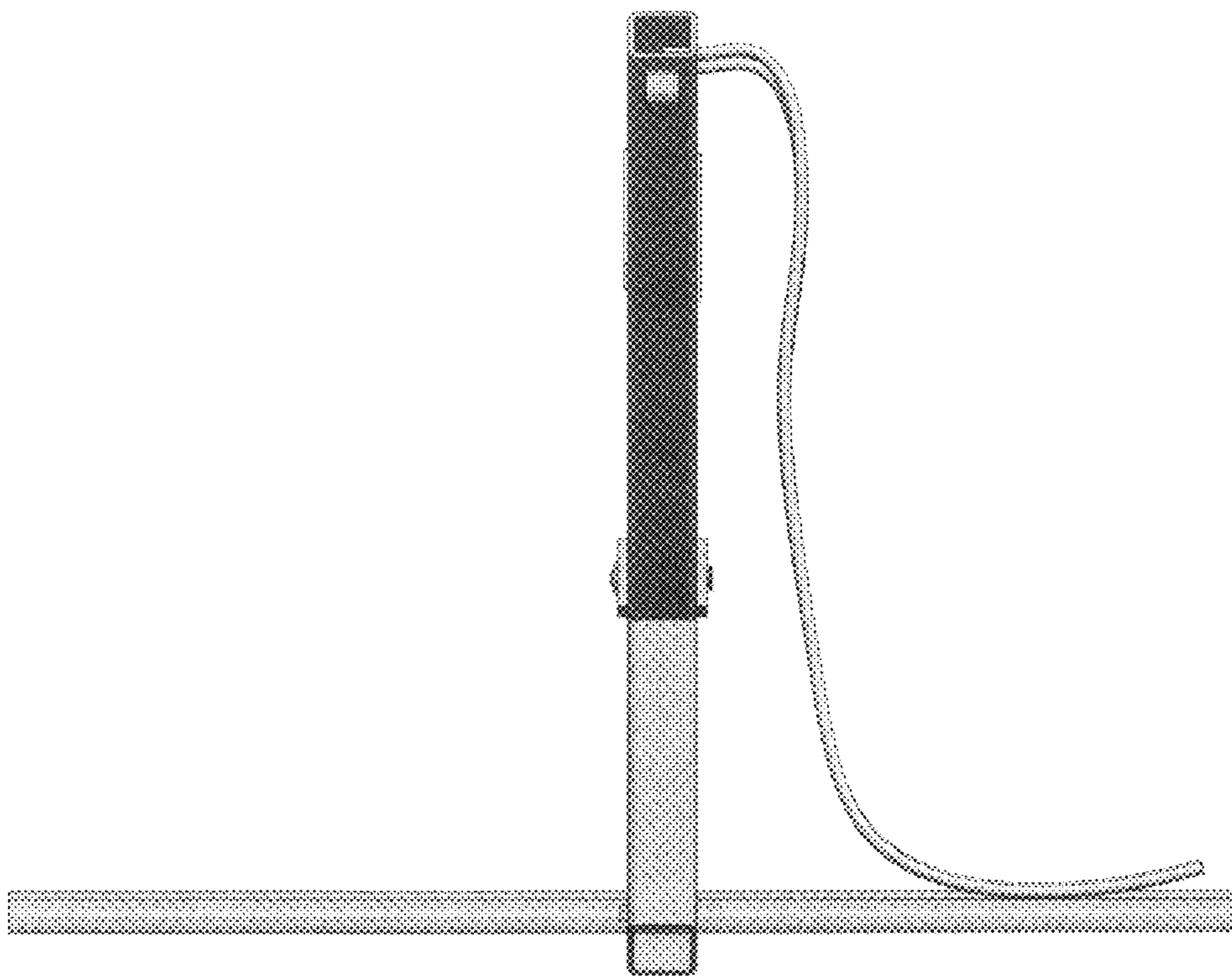




*Figure 1*

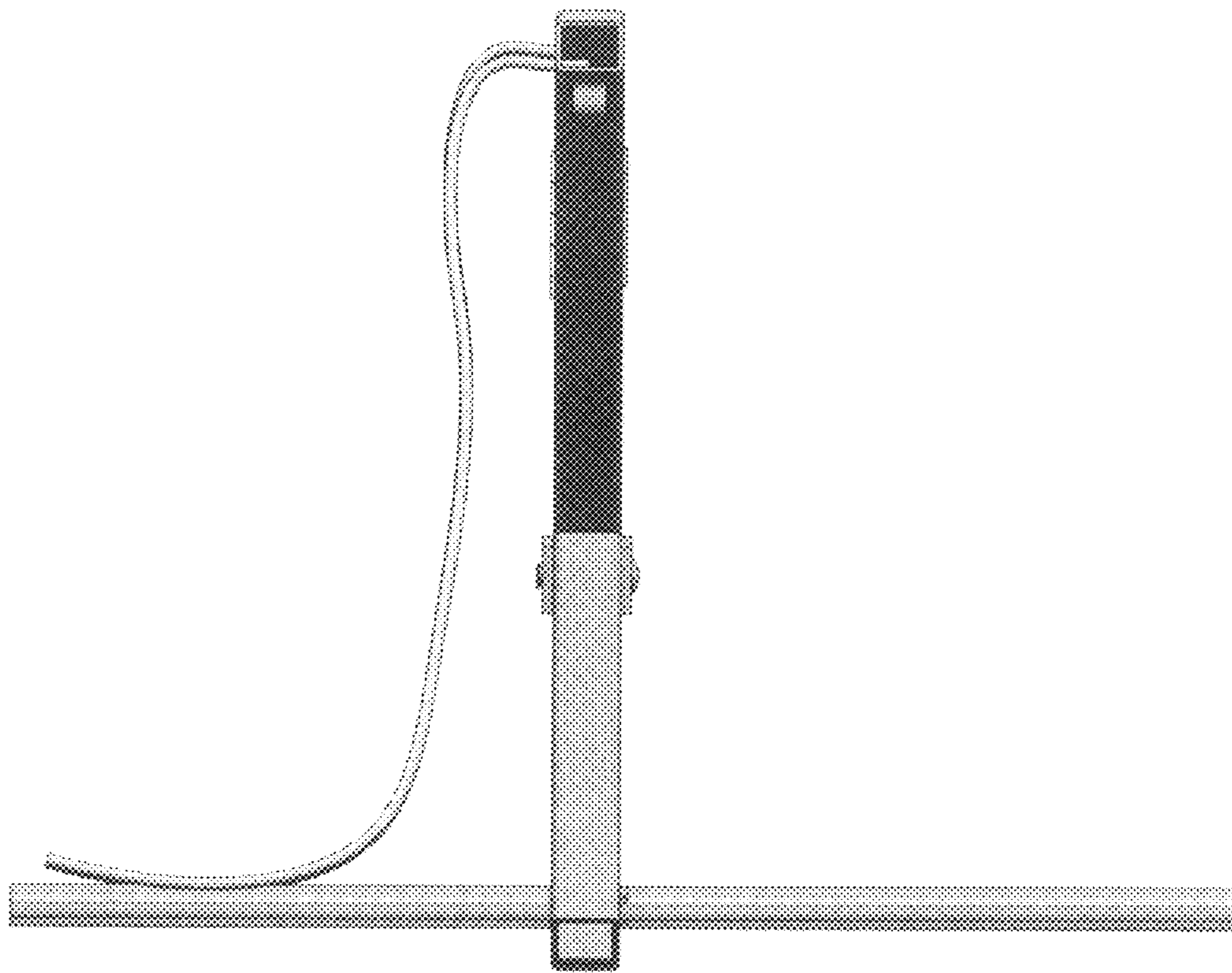


*Figure 2*

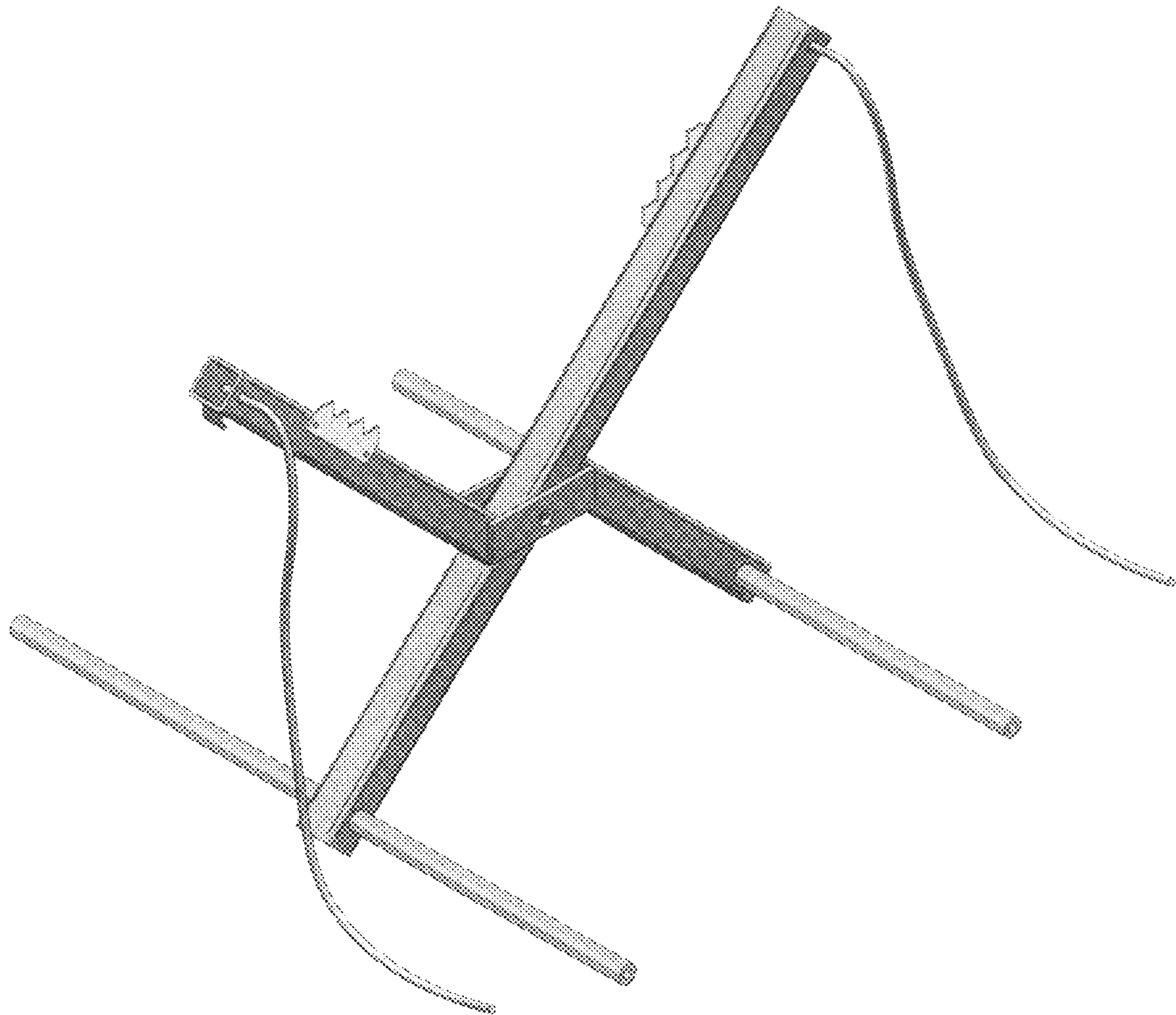


*Figure 3*

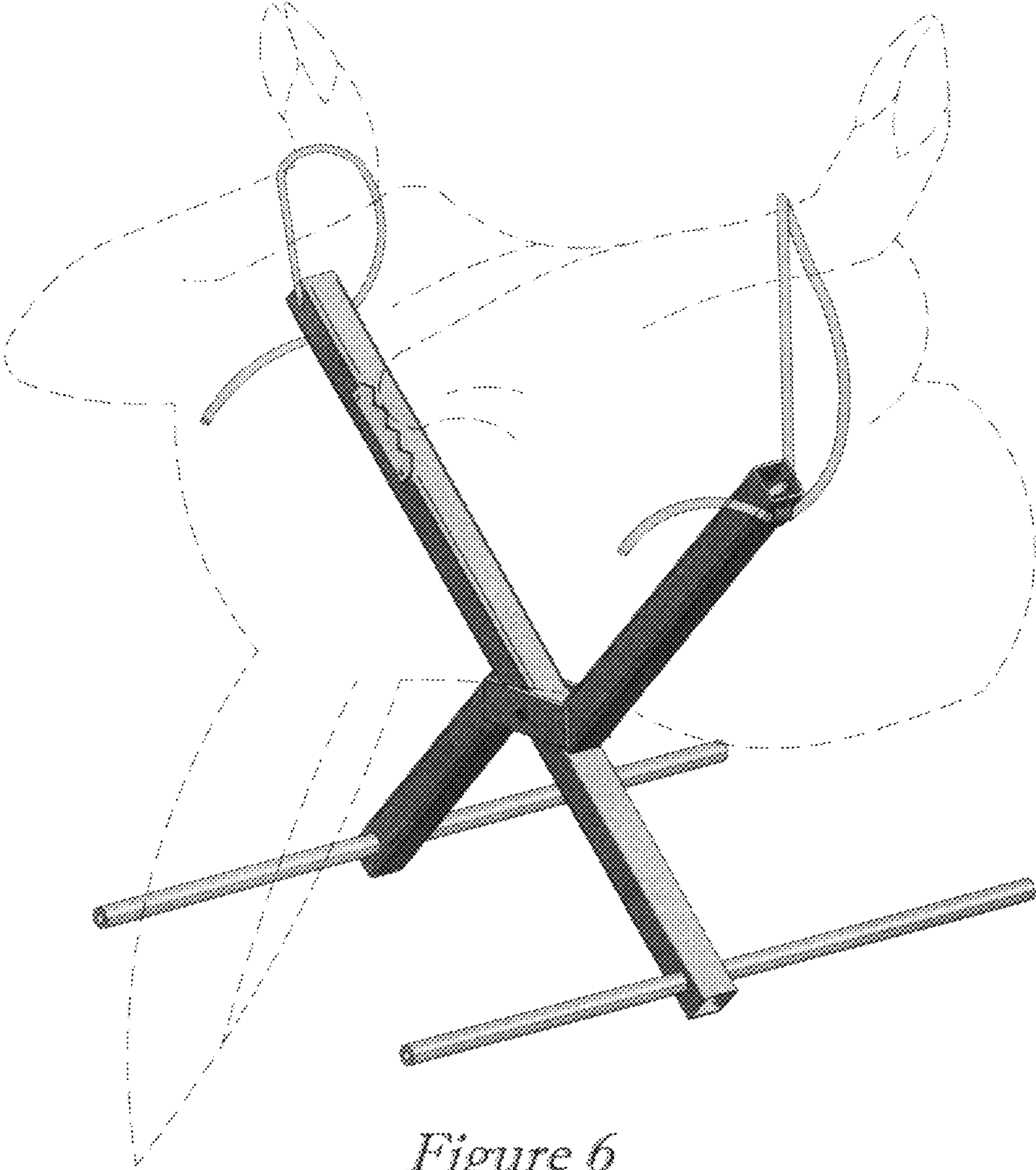




*Figure 4*

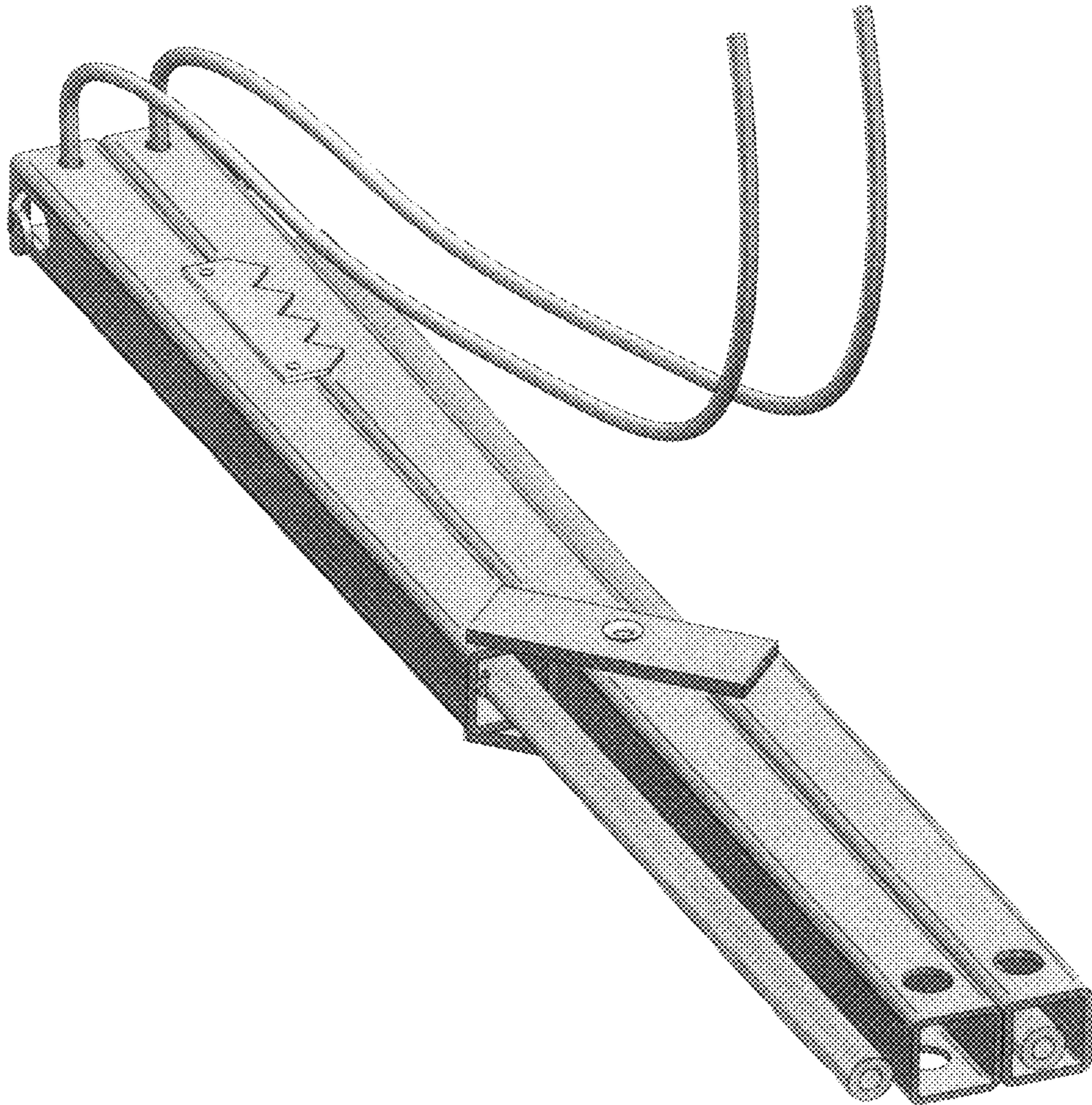


*Figure 5*



*Figure 6*





*Figure 7*