



US00D719234S

(12) **United States Design Patent**
Hochstrate

(10) **Patent No.:** **US D719,234 S**

(45) **Date of Patent:** **** Dec. 9, 2014**

(54) **FIREARM**

(71) Applicant: **Paul M. Hochstrate**, Plantsville, CT
(US)

(72) Inventor: **Paul M. Hochstrate**, Plantsville, CT
(US)

(73) Assignee: **Colt's Manufacturing Company LLC**,
West Hartford, CT (US)

(**) Term: **14 Years**

(21) Appl. No.: **29/458,310**

(22) Filed: **Jun. 18, 2013**

(51) **LOC (10) Cl.** **22-01**

(52) **U.S. Cl.**
USPC **D22/103**

(58) **Field of Classification Search**

CPC F41C 7/00; F41C 7/11; F41C 7/12
USPC D22/103, 108; 89/40.06, 41.19, 37.04,
89/33.04, 191.01, 200-204; 124/67, 66,
124/72, 74; 42/51, 71.01, 75.01, 75.02, 90,
42/94, 134, 136, 139, 125, 72, 111;
D21/572-575

See application file for complete search history.

(56) **References Cited**

U.S. PATENT DOCUMENTS

D544,063 S * 6/2007 Swan D22/108
7,596,900 B2 * 10/2009 Robinson et al. 42/7

(Continued)

Primary Examiner — Michael A Pratt

(74) *Attorney, Agent, or Firm* — Cantor Colburn LLP

(57) **CLAIM**

I claim, the ornamental design for a firearm, as shown and described.

DESCRIPTION

FIG. 1 is a top perspective view of a first embodiment of the invention;

FIG. 2 is a left side view of the embodiment of FIG. 1;

FIG. 3 is a right side view of the embodiment of FIG. 1;

FIG. 4 is a front view of the embodiment of FIG. 1;

FIG. 5 is a rear view of the embodiment of FIG. 1;

FIG. 6 is a top view of the embodiment of FIG. 1;

FIG. 7 is a bottom view of the embodiment of FIG. 1;

FIG. 8 is a top perspective view of a second embodiment of the invention;

FIG. 9 is a left side view of the embodiment of FIG. 8;

FIG. 10 is a right side view of the embodiment of FIG. 8;

FIG. 11 is a front view of the embodiment of FIG. 8;

FIG. 12 is a rear view of the embodiment of FIG. 8;

FIG. 13 is a top view of the embodiment of FIG. 8;

FIG. 14 is a bottom view of the embodiment of FIG. 8;

FIG. 15 is a top perspective view of a second embodiment of the invention;

FIG. 16 is a left side view of the embodiment of FIG. 15;

FIG. 17 is a right side view of the embodiment of FIG. 15;

FIG. 18 is a front view of the embodiment of FIG. 15;

FIG. 19 is a rear view of the embodiment of FIG. 15;

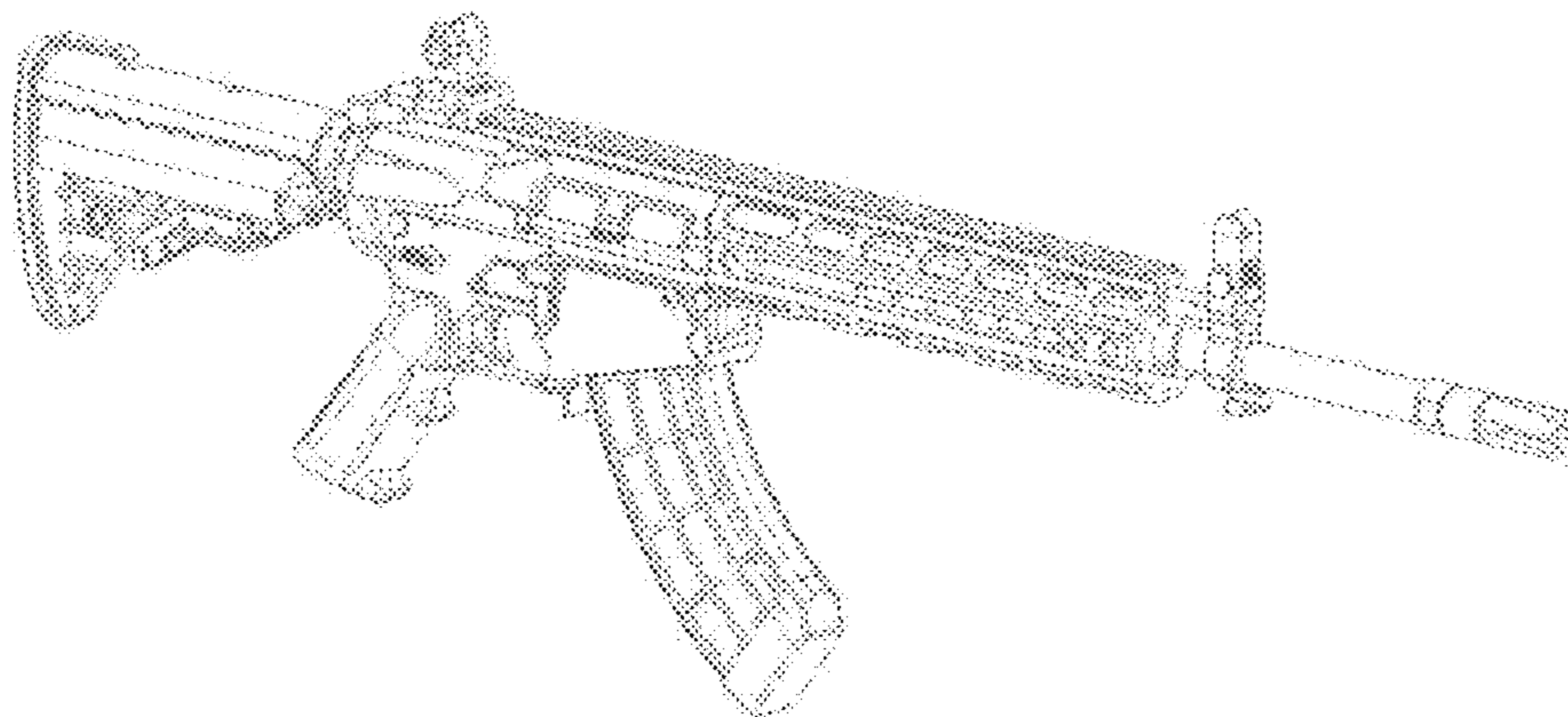
FIG. 20 is a top view of the embodiment of FIG. 15; and,

FIG. 21 is a bottom view of the embodiment of FIG. 15.

The surface treatment of the firearm forms no part of the claimed design, a firearm according to the claimed design may have any surface treatment.

The color of the firearm forms no part of the claimed design, a firearm according to the claimed design may be of any color or combination of colors.

1 Claim, 21 Drawing Sheets



(56)

References Cited

U.S. PATENT DOCUMENTS

7,938,055	B2 *	5/2011	Hochstrate et al.	89/193	D709,581	S *	7/2014	Langevin et al.	D22/108
8,051,595	B2 *	11/2011	Hochstrate et al.	42/75.01	D709,582	S *	7/2014	Geissele	D22/108
8,307,750	B2 *	11/2012	Vuksanovich et al.	89/191.01	2009/0178325	A1 *	7/2009	Veilleux	42/117
8,342,075	B2 *	1/2013	Gomez	89/191.01	2011/0185617	A1 *	8/2011	Brixius	42/71.01
D680,611	S *	4/2013	Emde et al.	D22/103	2012/0085226	A1 *	4/2012	Thiele et al.	89/191.01
D702,793	S *	4/2014	Burt et al.	D22/103	2012/0152104	A1 *	6/2012	Audibert et al.	89/191.01
8,695,260	B2 *	4/2014	Kramer	42/69.02	2012/0297656	A1 *	11/2012	Langevin et al.	42/16
					2013/0068089	A1 *	3/2013	Brown	89/193
					2013/0139424	A1 *	6/2013	Devine	42/16

* cited by examiner

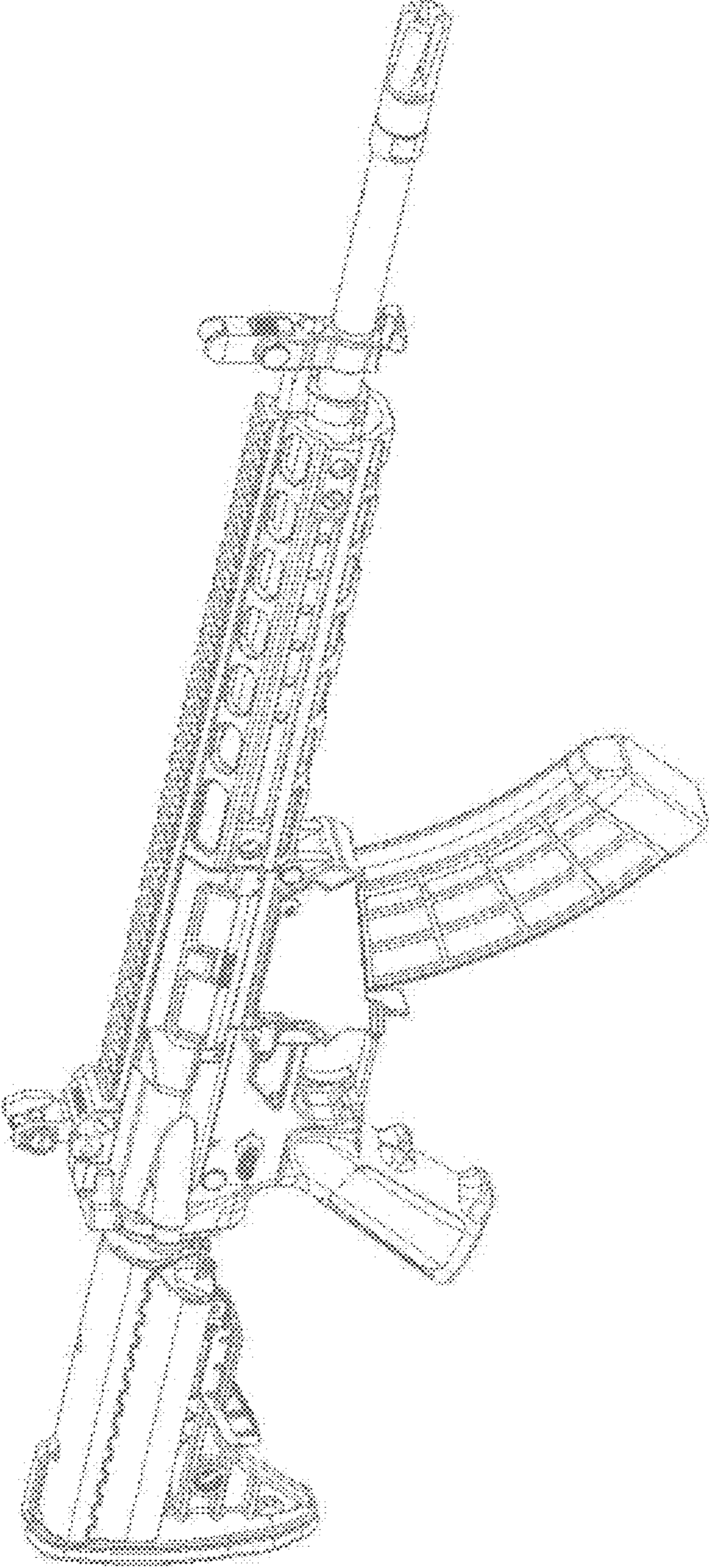


FIG. 1

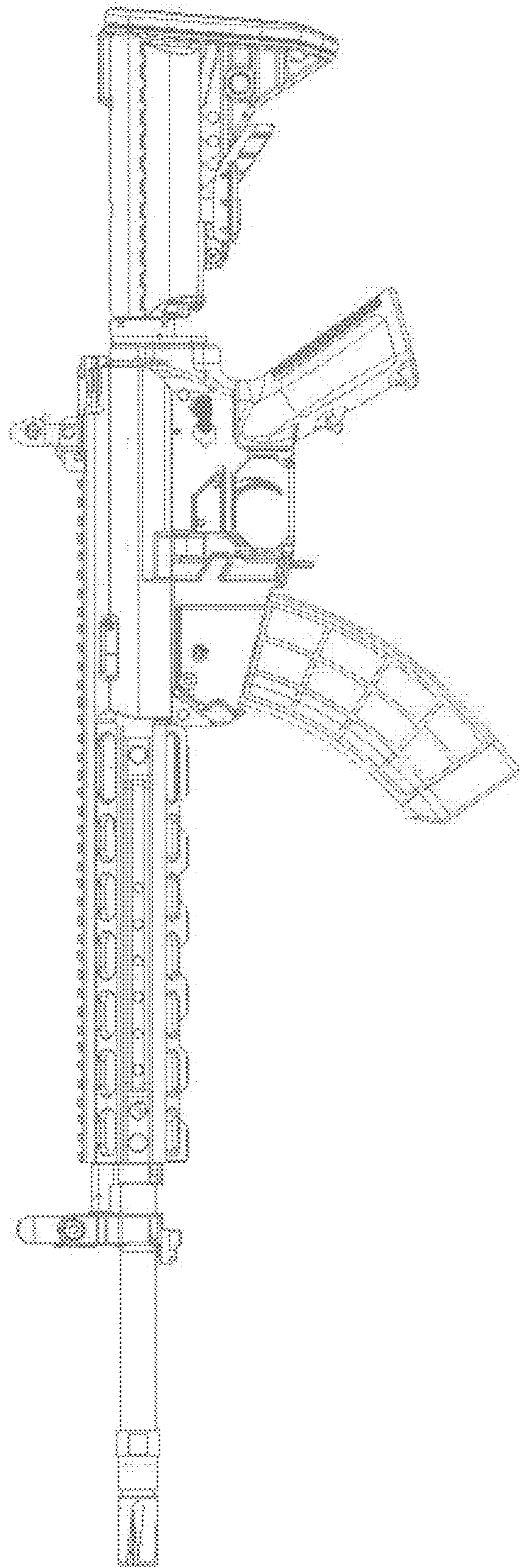


FIG. 2

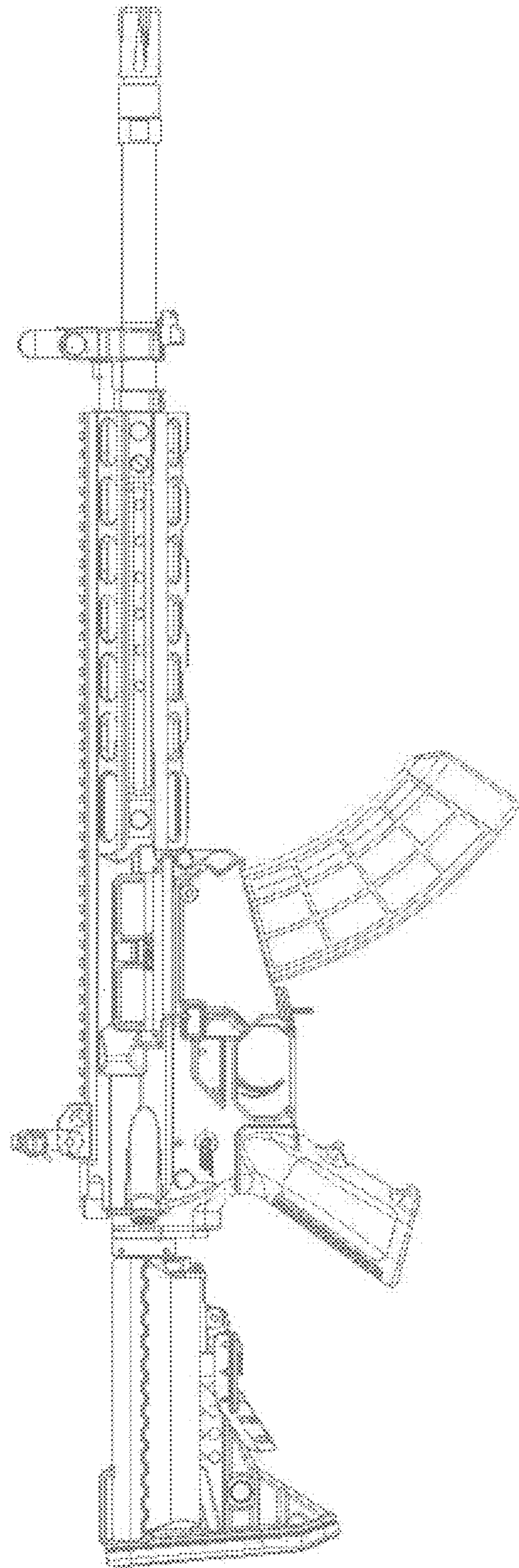


FIG. 3

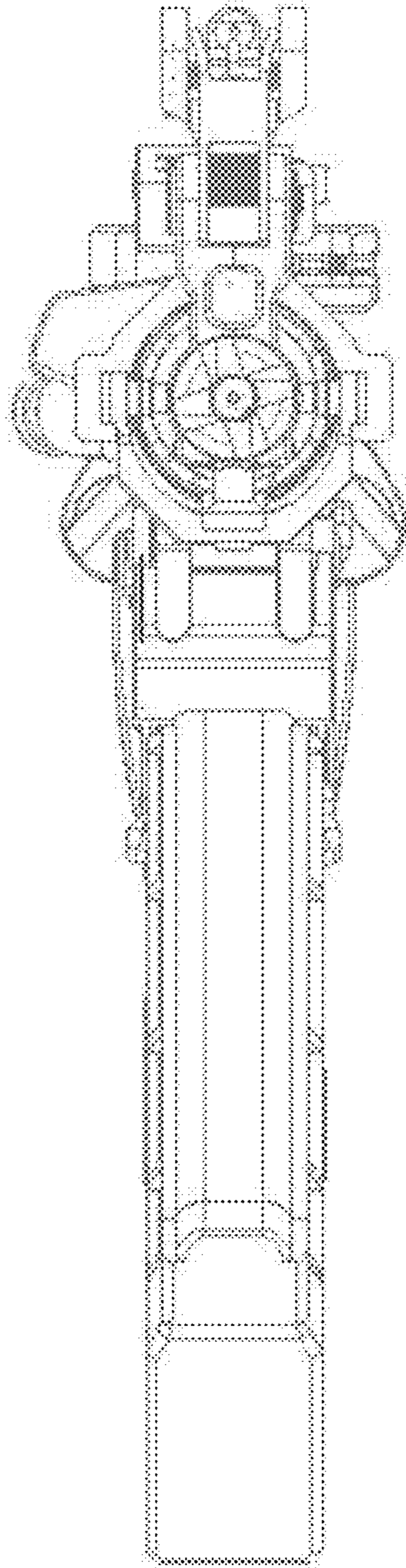


FIG. 4

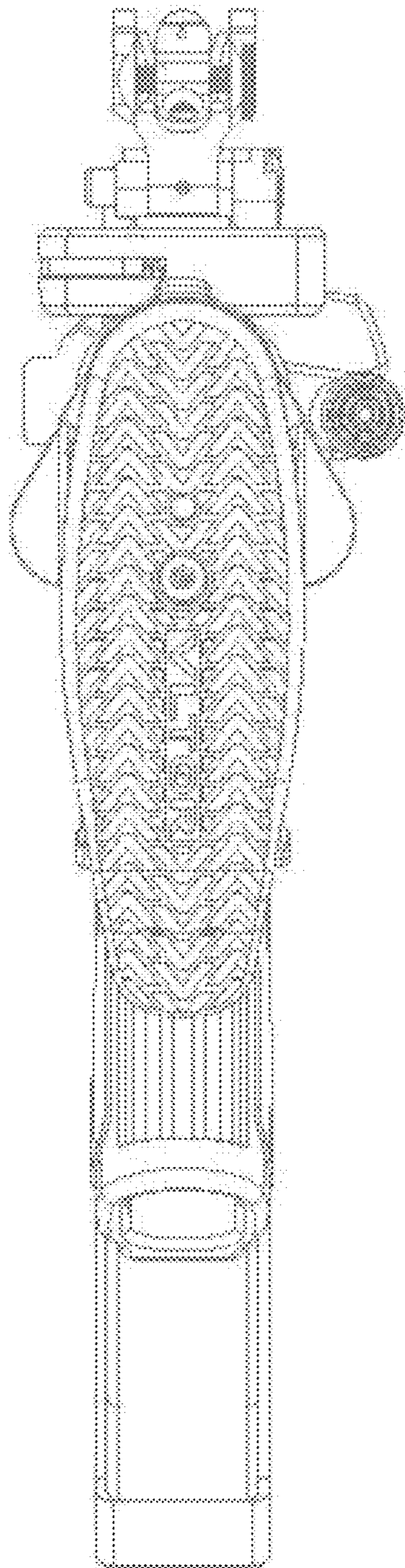


FIG. 5

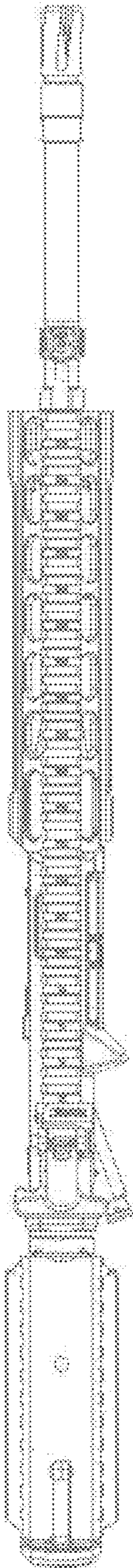


FIG. 6

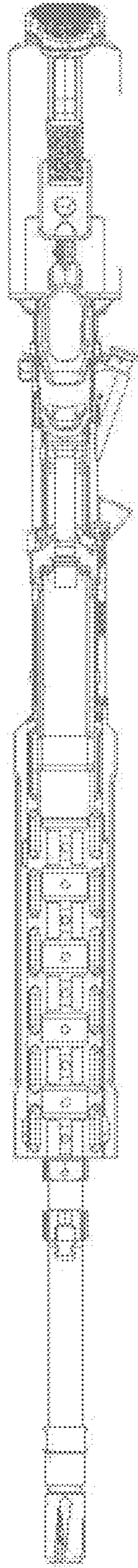


FIG. 7

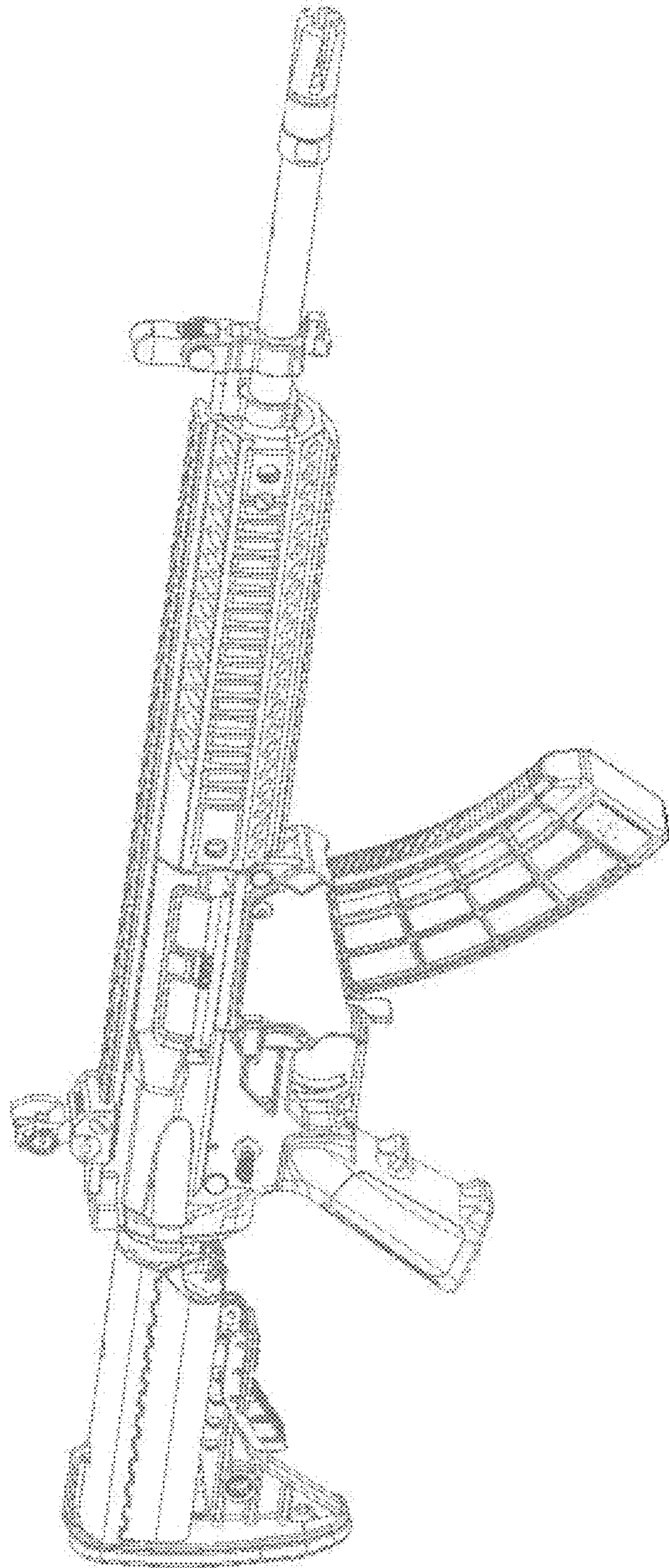


FIG. 8

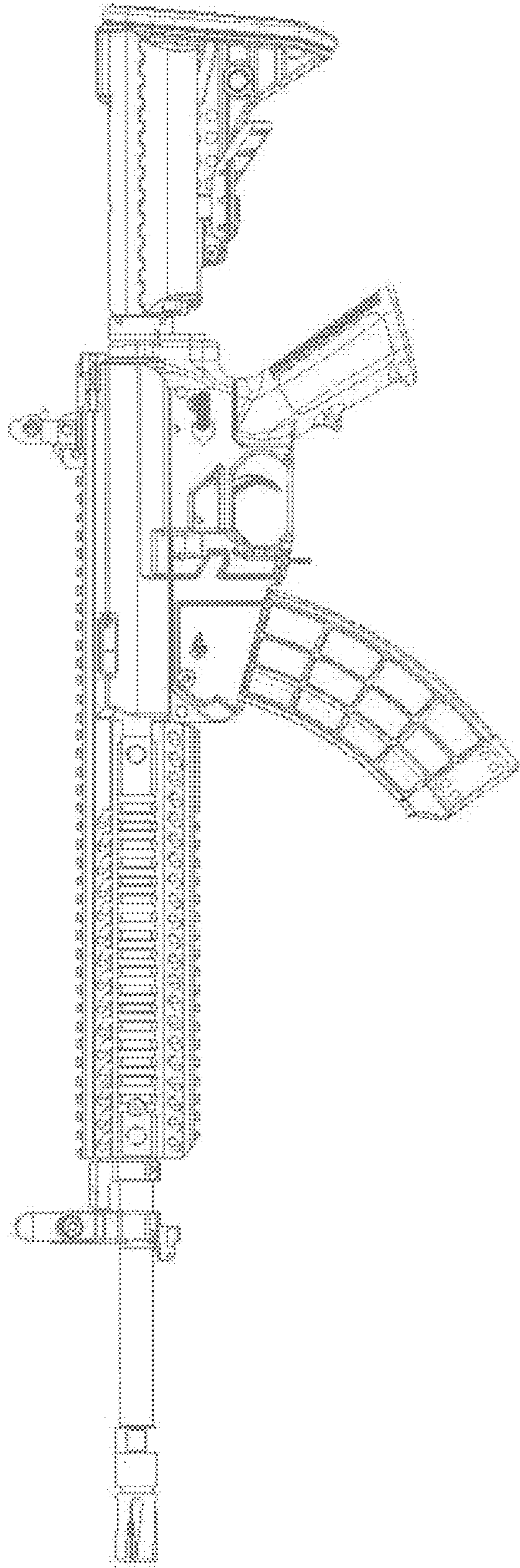


FIG. 9

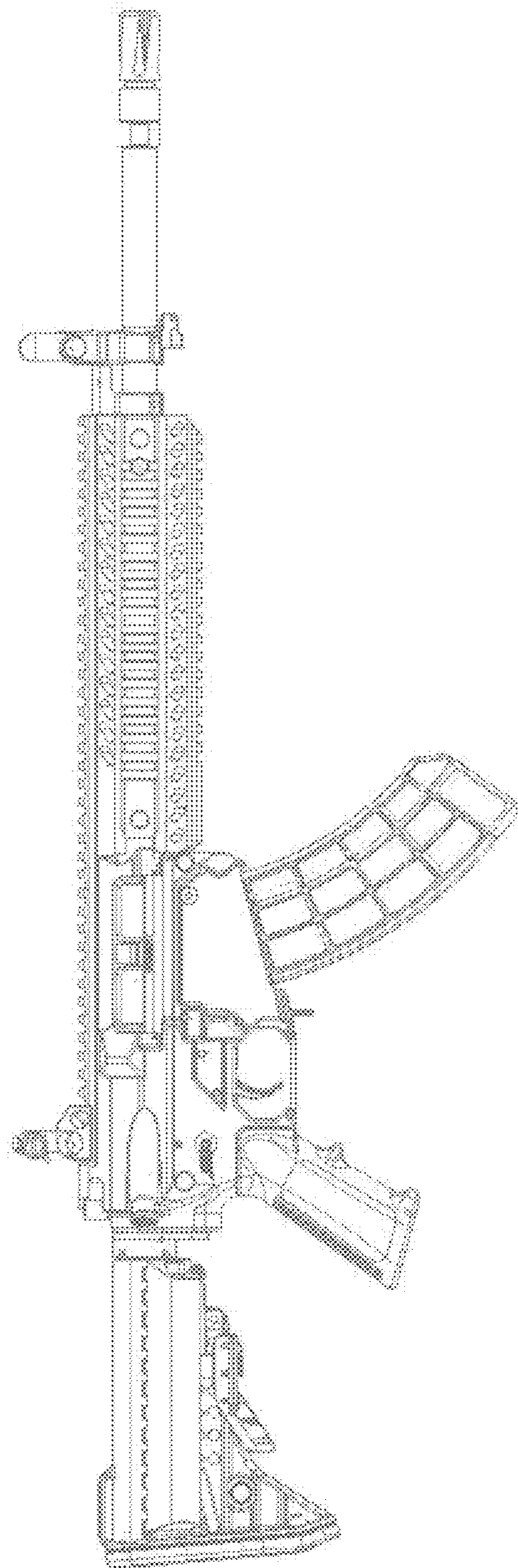


FIG. 10

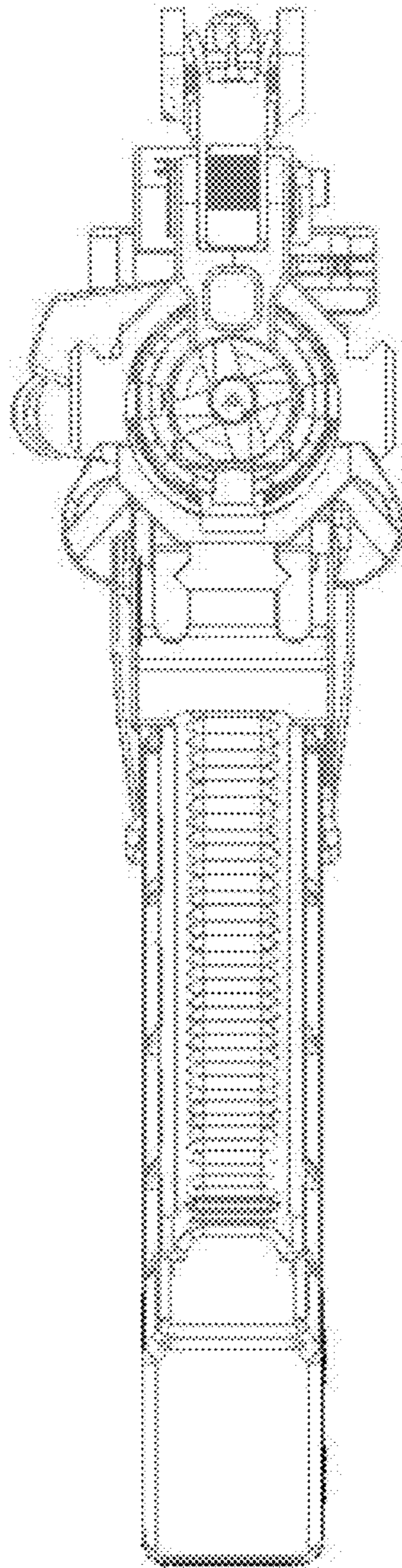


FIG. 11

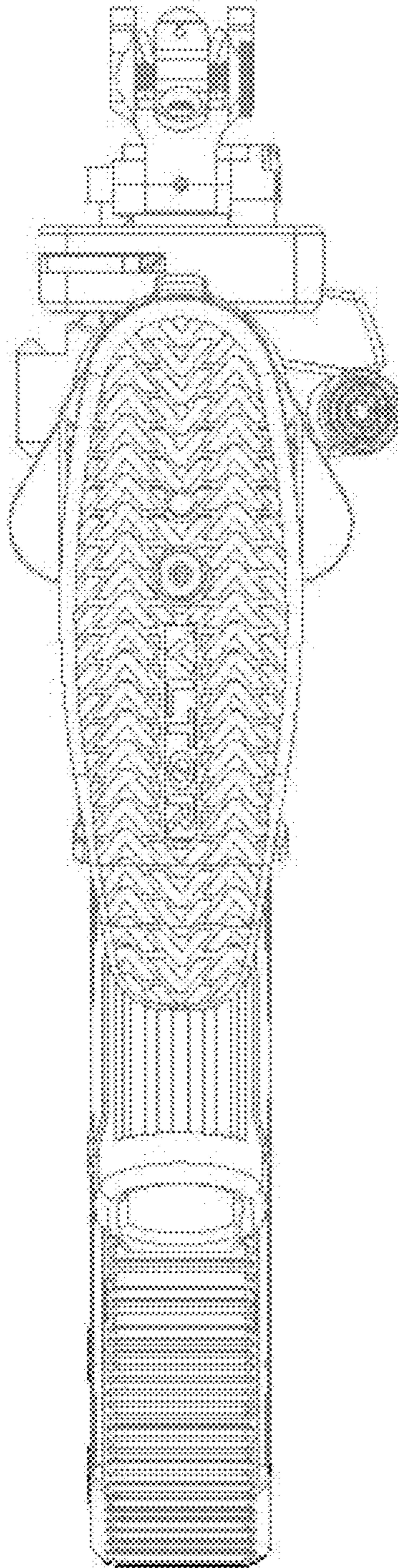


FIG. 12

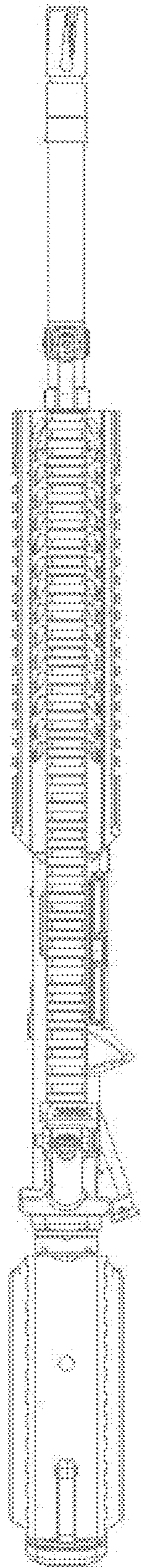


FIG. 13

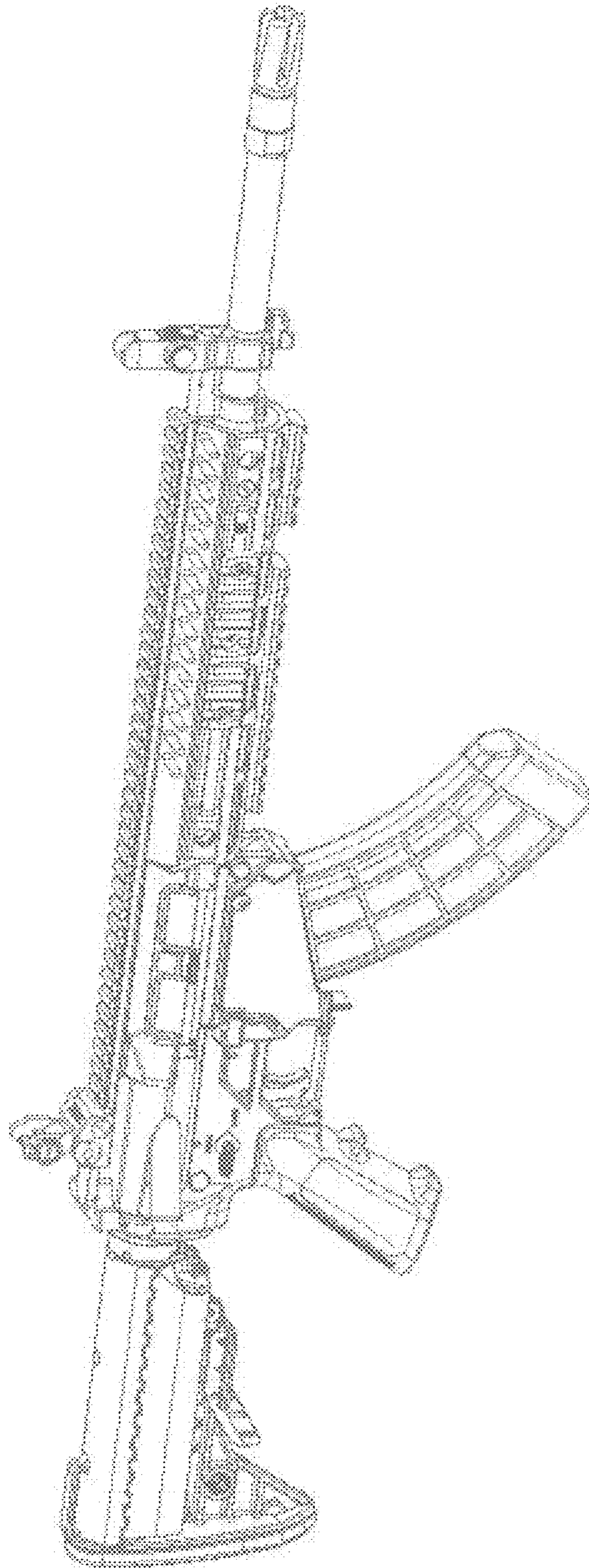


FIG. 14

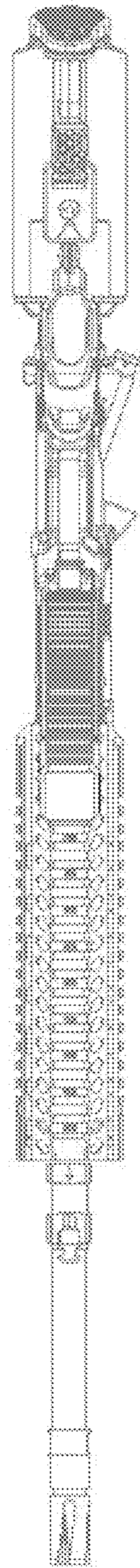


FIG. 15

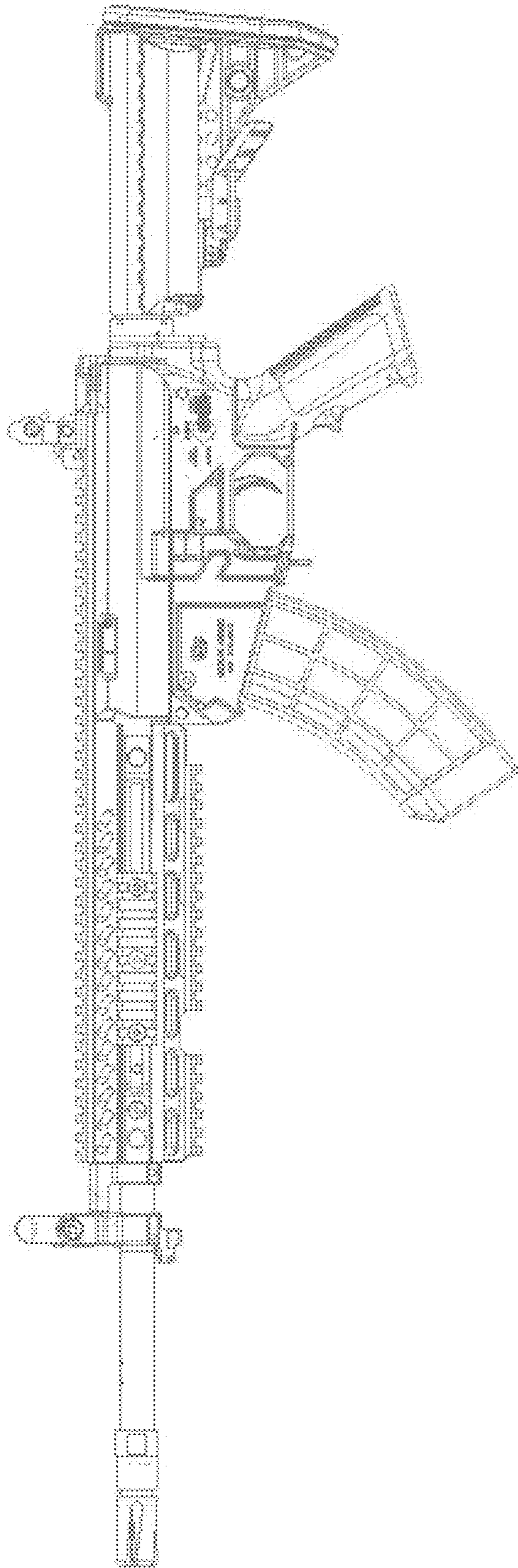


FIG. 16

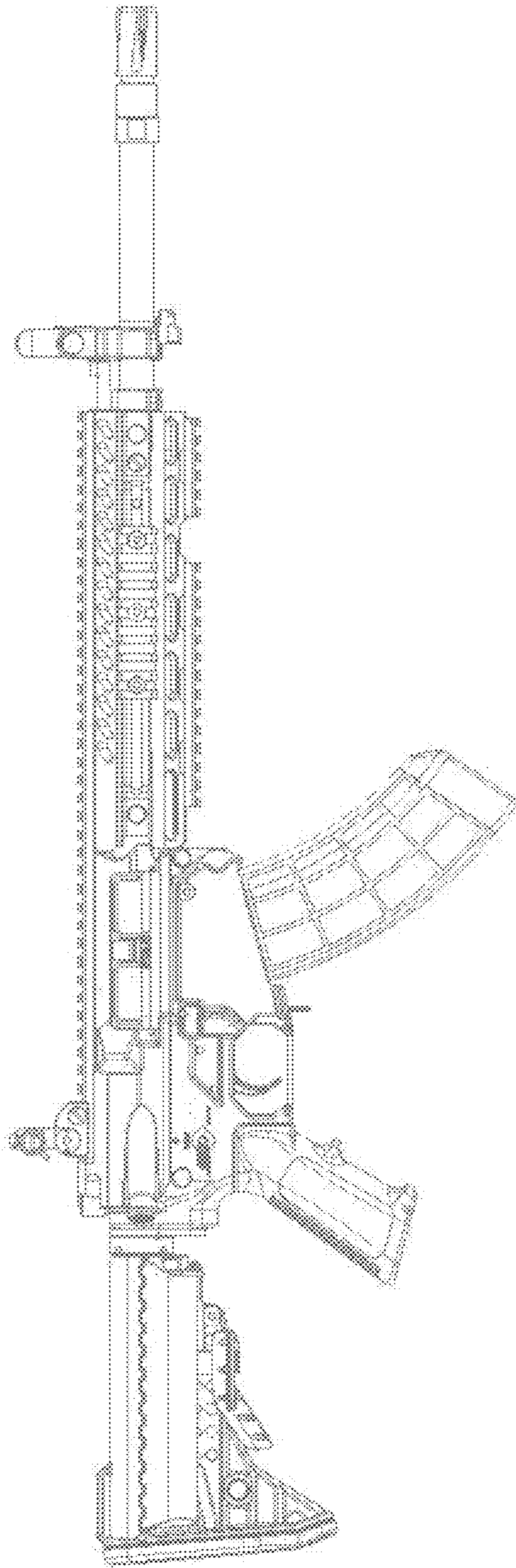


FIG. 17

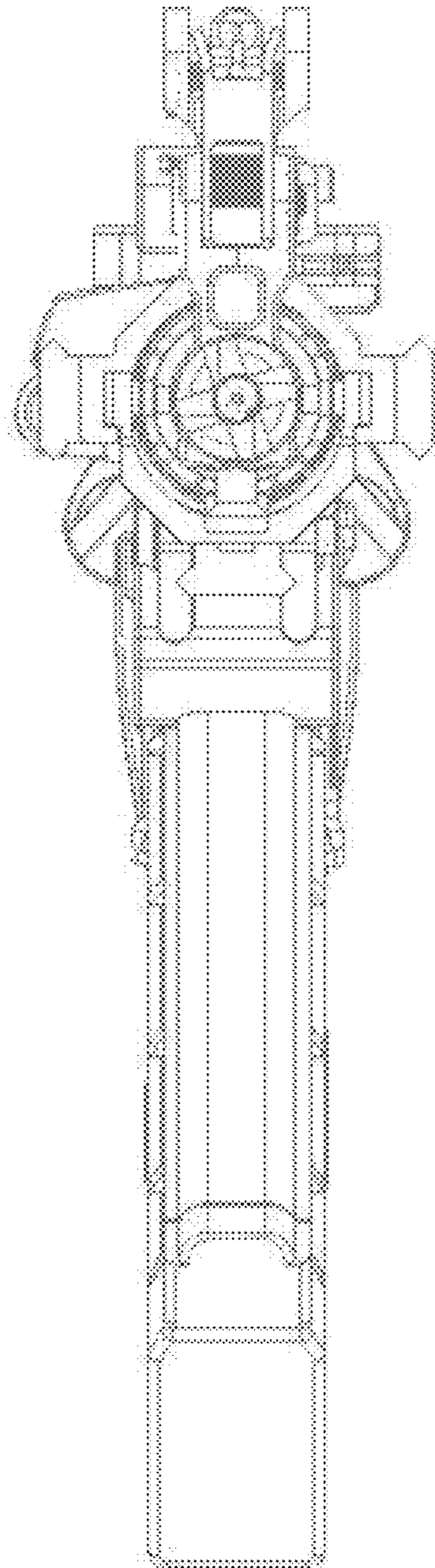


FIG. 18

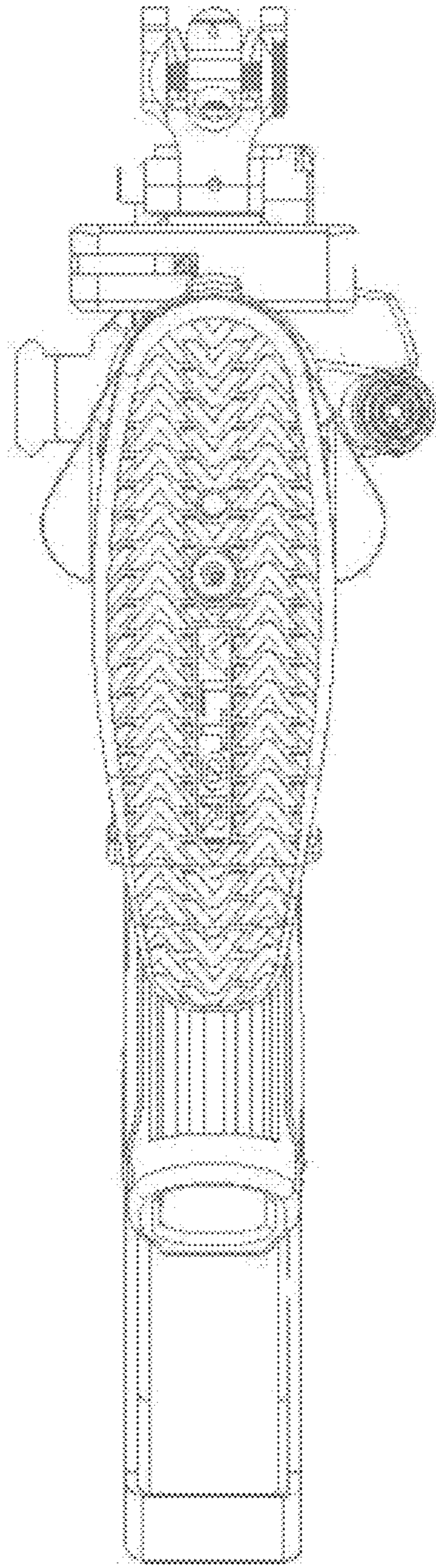


FIG. 19

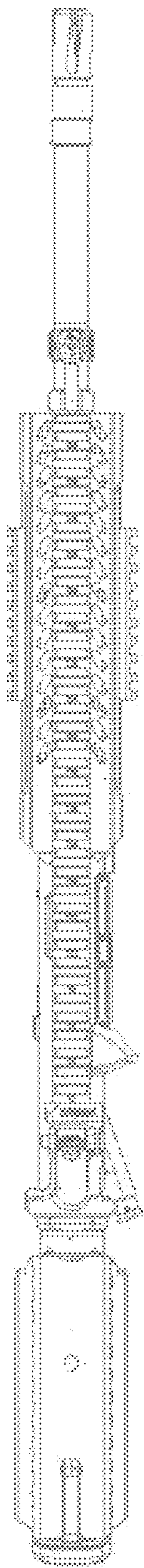


FIG. 20

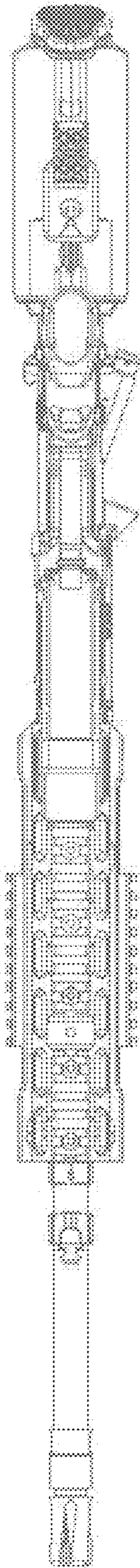


FIG. 21