



US00D719228S

(12) **United States Design Patent**
Severa et al.

(10) **Patent No.:** **US D719,228 S**

(45) **Date of Patent:** **** Dec. 9, 2014**

(54) **CENTRAL PORTION OF A RACQUET**

(71) Applicant: **Wilson Sporting Goods Co.**, Chicago, IL (US)

(72) Inventors: **William D. Severa**, Darien, IL (US);
Ronald R. Rocchi, Naperville, IL (US);
Robert T. Kapheim, Chicago, IL (US);
Brad M. Skoryi, Palos Heights, IL (US);
David A. Vogel, Island Lake, IL (US)

(73) Assignee: **Wilson Sporting Goods Co.**, Chicago, IL (US)

(**) Term: **14 Years**

(21) Appl. No.: **29/479,906**

(22) Filed: **Jan. 21, 2014**

(51) **LOC (10) Cl.** **21-02**

(52) **U.S. Cl.**
USPC **D21/753**

(58) **Field of Classification Search**
USPC D21/729-732, 753; 473/524-557
See application file for complete search history.

(56) **References Cited**

U.S. PATENT DOCUMENTS

D235,892 S *	7/1975	Altissimo	D21/730
3,912,268 A *	10/1975	Robinson	473/537
D272,553 S *	2/1984	Hall et al.	D21/730
D289,786 S *	5/1987	Fernandez	D21/730
D299,042 S *	12/1988	Bosworth, Jr.	D21/730
5,076,583 A *	12/1991	Hsu	473/537
D330,925 S *	11/1992	Janes	D21/730
D354,323 S *	1/1995	Chuang	D21/730
D369,194 S	4/1996	Severa	D21/212
D469,487 S	1/2003	Severa et al.	D21/729
D469,488 S *	1/2003	Severa et al.	D21/729
D502,517 S	3/2005	Severa et al.	D21/729

D503,442 S	3/2005	Severa et al.	D21/730
D514,639 S	2/2006	Hernandez et al.	D21/729
D520,581 S	5/2006	Severa et al.	D21/729
D554,211 S *	10/2007	Severa et al.	D21/730
D559,927 S	1/2008	McMillan et al.	D21/730
D565,675 S	4/2008	Severa et al.	D21/730
D596,682 S	7/2009	Severa et al.	D21/730
D622,793 S	8/2010	Severa et al.	D21/730
D631,521 S *	1/2011	Severa et al.	D21/730
D689,572 S *	9/2013	Severa et al.	D21/730
D689,573 S	9/2013	Severa et al.	D21/730
D689,966 S	9/2013	Severa et al.	D21/730

* cited by examiner

Primary Examiner — Mitchell Siegel

(74) *Attorney, Agent, or Firm* — Terence P. O'Brien

(57) **CLAIM**

We claim the ornamental design for a central portion of a racquet, as shown and described.

DESCRIPTION

FIG. 1 is a front, side perspective view of a central portion of a racquet;

FIG. 2 is a front view of the central portion of the racquet of FIG. 1;

FIG. 3 is a side view of the central portion of the racquet of FIG. 1;

FIG. 4 is a top view of the central portion of the racquet of FIG. 1;

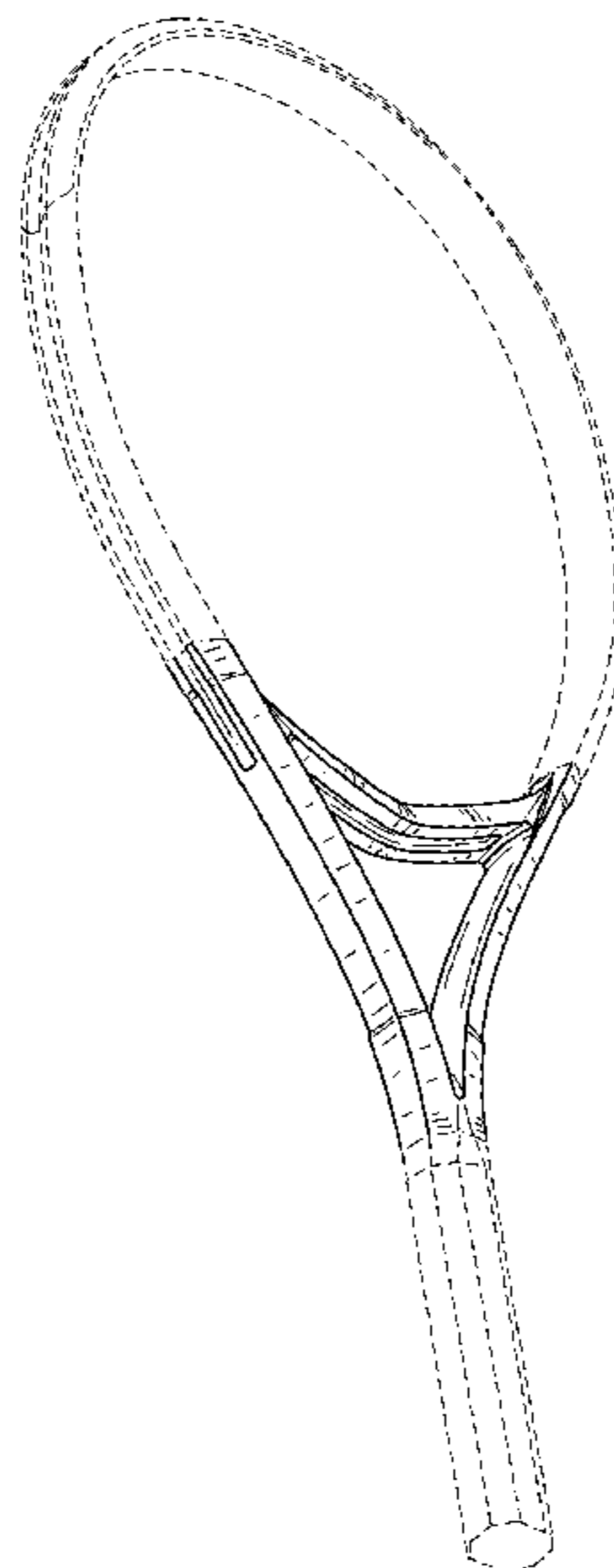
FIG. 5 is a bottom view of the central portion of the racquet of FIG. 1;

FIG. 6 is a cross sectional view taken on line 6-6 of FIG. 2; and,

FIG. 7 is a cross sectional view taken on line 7-7 of FIG. 2.

The ornamental design that is claimed is shown in solid lines in the drawings. The broken (dashed) lines shown in FIGS. 1 through 7 are included for the purpose of illustrating environmental elements only and form no part of the claimed design.

1 Claim, 4 Drawing Sheets



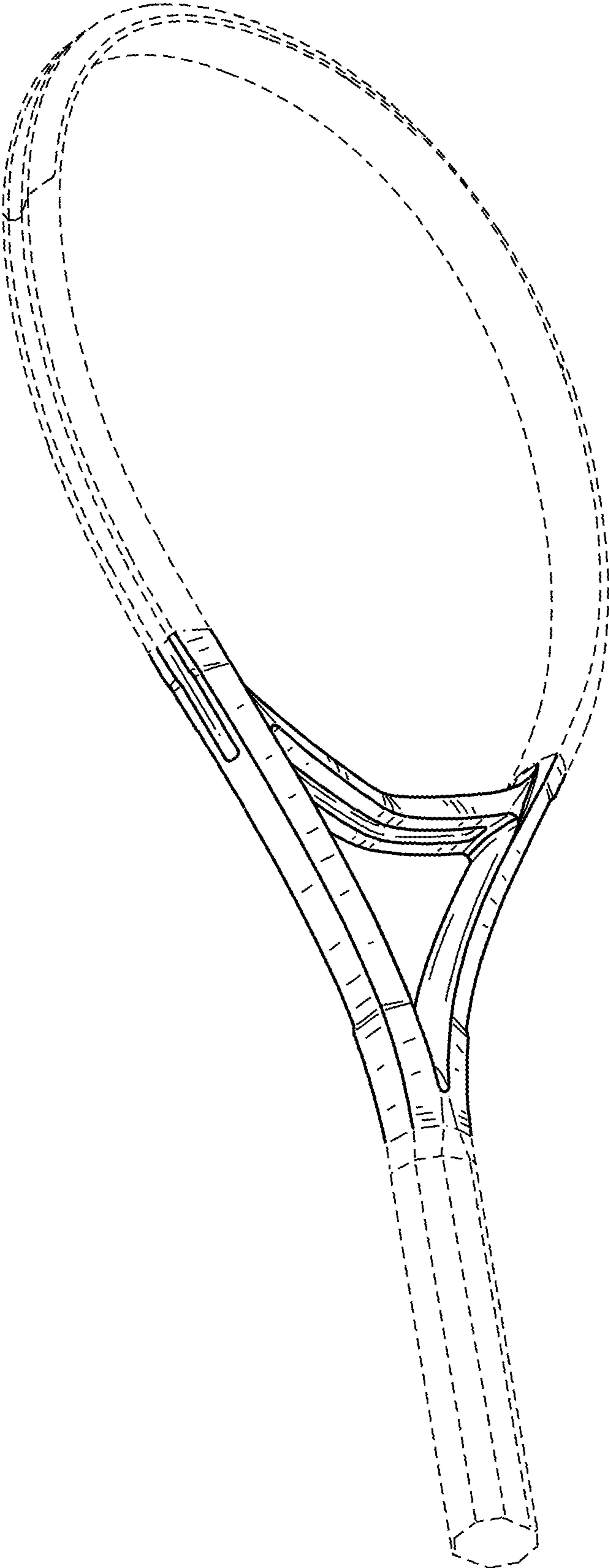
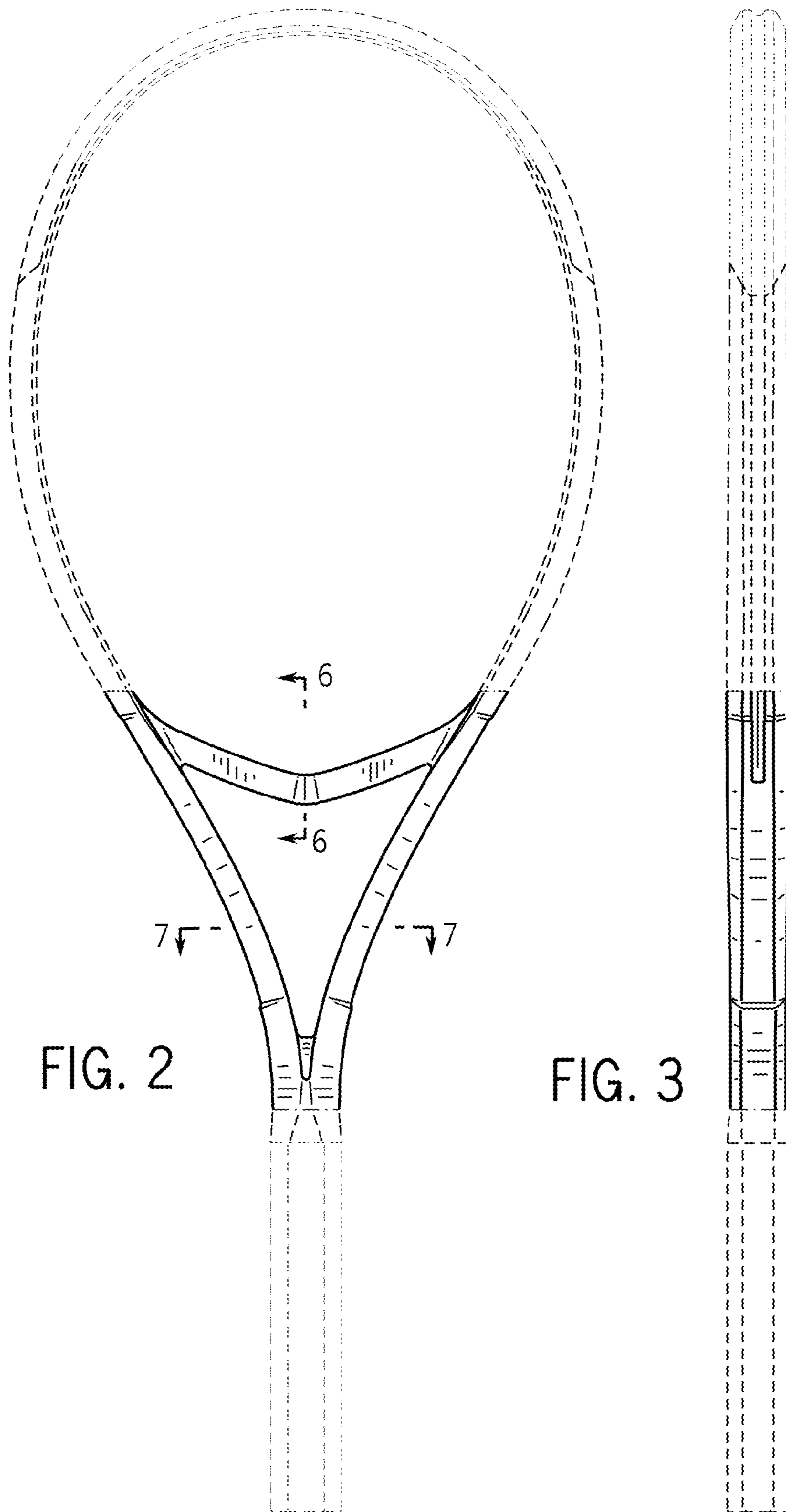


FIG. 1



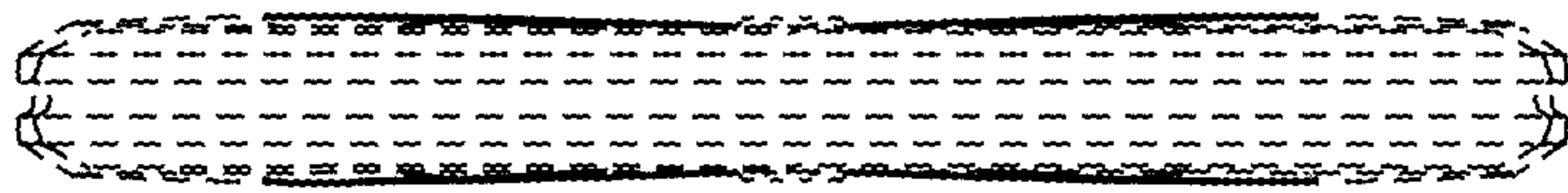


FIG. 4



FIG. 5

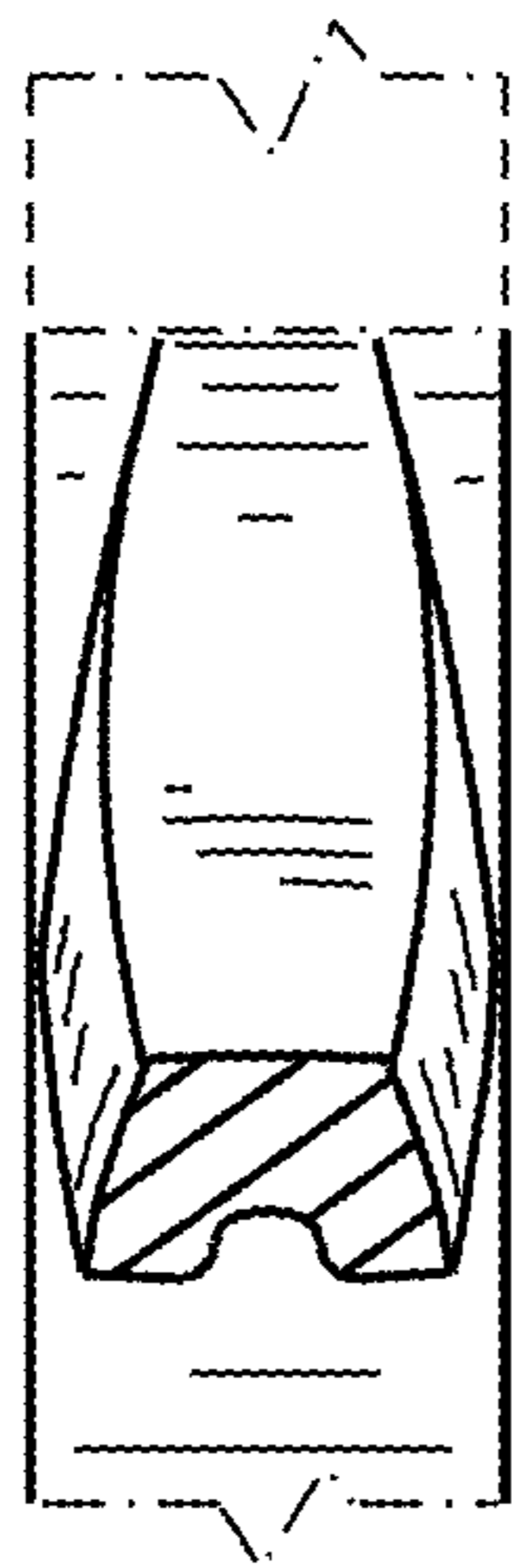


FIG. 6

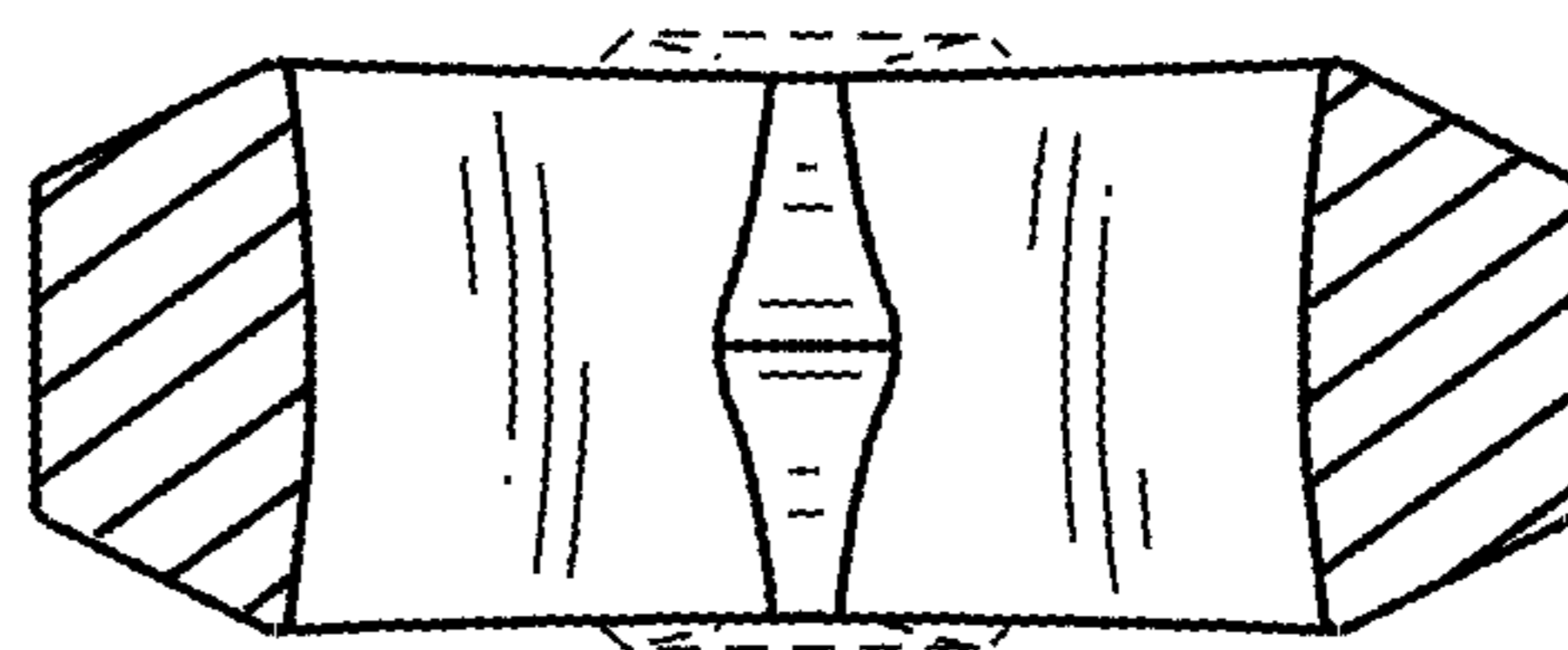


FIG. 7