



US00D719224S

(12) **United States Design Patent**
Ho et al.

(10) **Patent No.:** **US D719,224 S**

(45) **Date of Patent:** **** Dec. 9, 2014**

(54) **ABDOMEN DEVELOPING EXERCISER**

(71) Applicants: **Wei-Teh Ho**, Taipei (TW); **Willy Ho**,
Taipei (TW)

(72) Inventors: **Wei-Teh Ho**, Taipei (TW); **Willy Ho**,
Taipei (TW)

(**) Term: **14 Years**

(21) Appl. No.: **29/444,137**

(22) Filed: **Jan. 25, 2013**

(51) **LOC (10) Cl.** **21-02**

(52) **U.S. Cl.**
USPC **D21/687**

(58) **Field of Classification Search**
USPC D21/662, 674, 676, 686, 687, 688, 689,
D21/694, 695; 482/51, 71-72, 96, 112, 121,
482/130-132, 140, 142

See application file for complete search history.

(56) **References Cited**

U.S. PATENT DOCUMENTS

D251,320 S *	3/1979	Brentham	D21/676
4,477,071 A *	10/1984	Brown et al.	482/73
D289,190 S *	4/1987	Brentham	D21/676
5,527,243 A *	6/1996	Chen	482/72
5,599,261 A *	2/1997	Easley et al.	482/130
D404,444 S *	1/1999	Sands et al.	D21/676
D452,719 S *	1/2002	Lin et al.	D21/673
6,475,123 B1 *	11/2002	Evans	482/97

D476,384 S *	6/2003	Perez	D21/690
D478,137 S *	8/2003	Ho et al.	D21/687
D490,867 S *	6/2004	Chen	D21/676
D490,868 S *	6/2004	Tornabene	D21/690
D528,614 S *	9/2006	McVay et al.	D21/687
7,179,212 B2 *	2/2007	Hsiung et al.	482/140
D545,928 S *	7/2007	Huang	D21/690
7,686,750 B2 *	3/2010	Tuller	482/142
D649,205 S *	11/2011	Zachary	D21/676
D681,137 S *	4/2013	Perez et al.	D21/676
2007/0259760 A1 *	11/2007	Perez	482/140

* cited by examiner

Primary Examiner — Phillip S Hyder

(74) *Attorney, Agent, or Firm* — Blakely, Sokoloff, Taylor & Zafman LLP

(57) **CLAIM**

The ornamental design for an abdomen developing exerciser, as shown and described.

DESCRIPTION

FIG. 1 is a perspective view showing the new design for an abdomen developing exerciser;

FIG. 2 is an enlarged front view thereof;

FIG. 3 is an enlarged rear view thereof;

FIG. 4 is an enlarged right side view thereof;

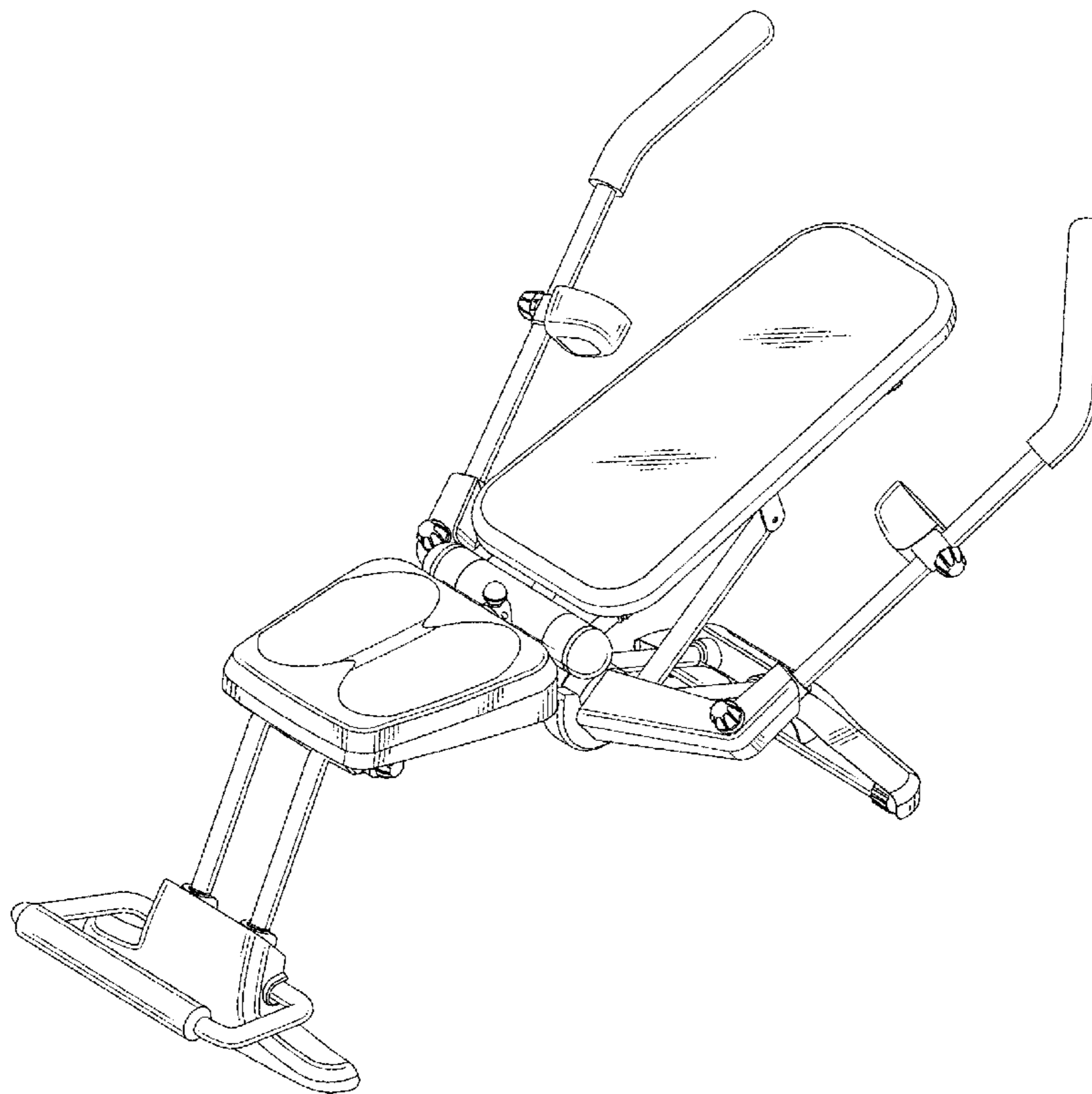
FIG. 5 is an enlarged left side view thereof;

FIG. 6 is an enlarged top view thereof; and,

FIG. 7 is an enlarged bottom view thereof.

Broken lines illustrate portions of the abdomen developing exerciser outside the scope of the claimed design.

1 Claim, 7 Drawing Sheets



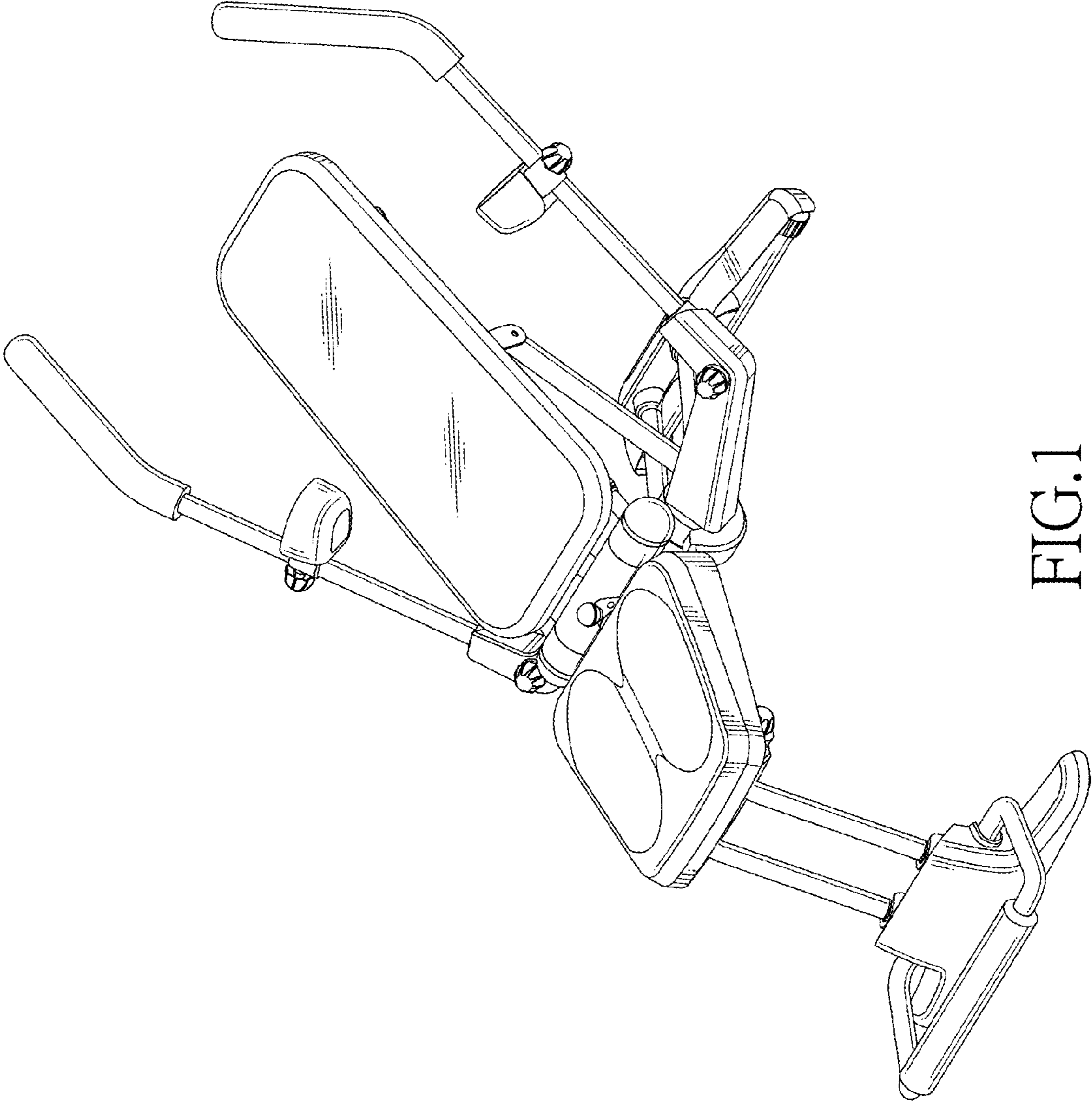


FIG.1

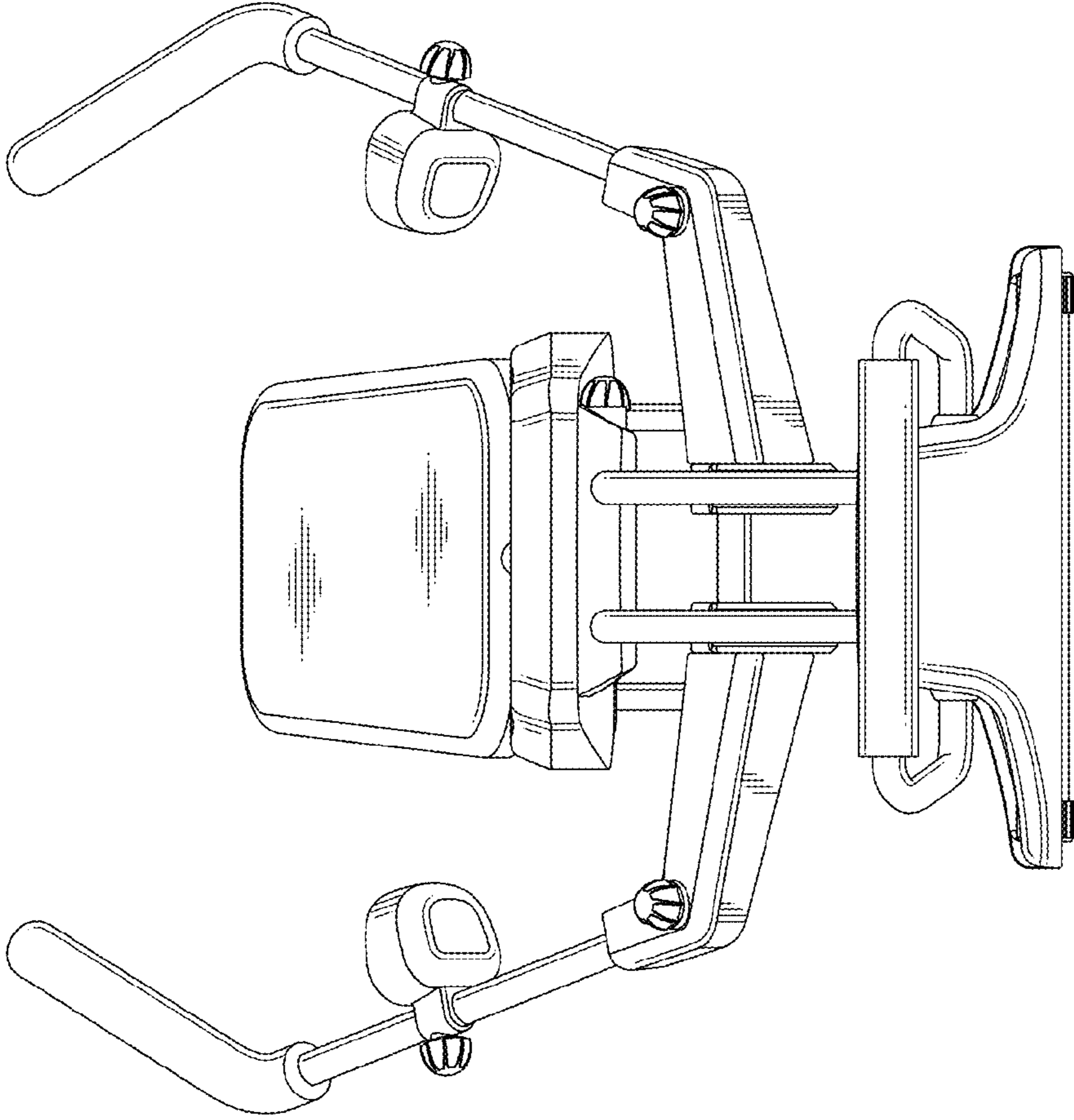


FIG.2

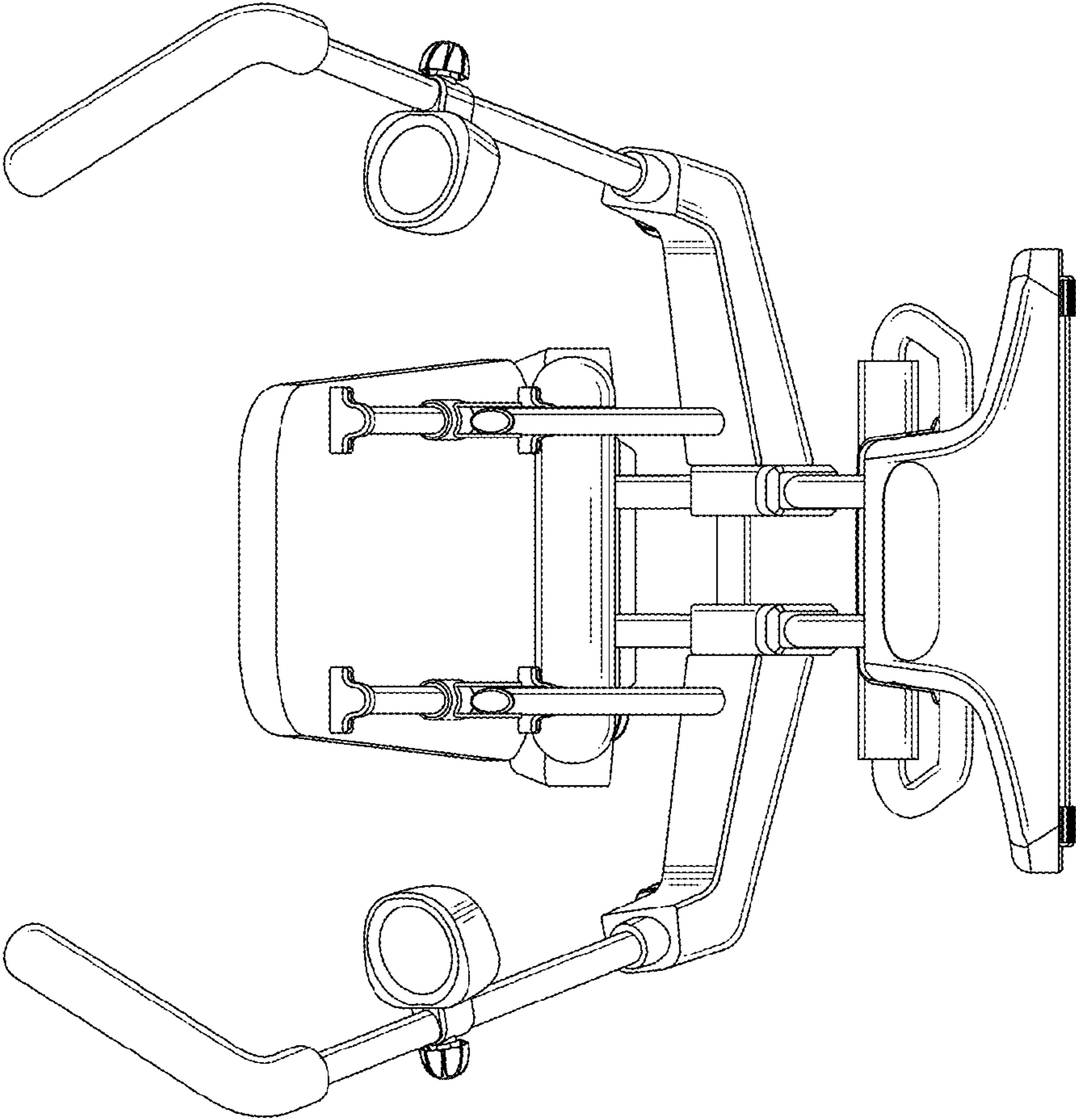


FIG.3

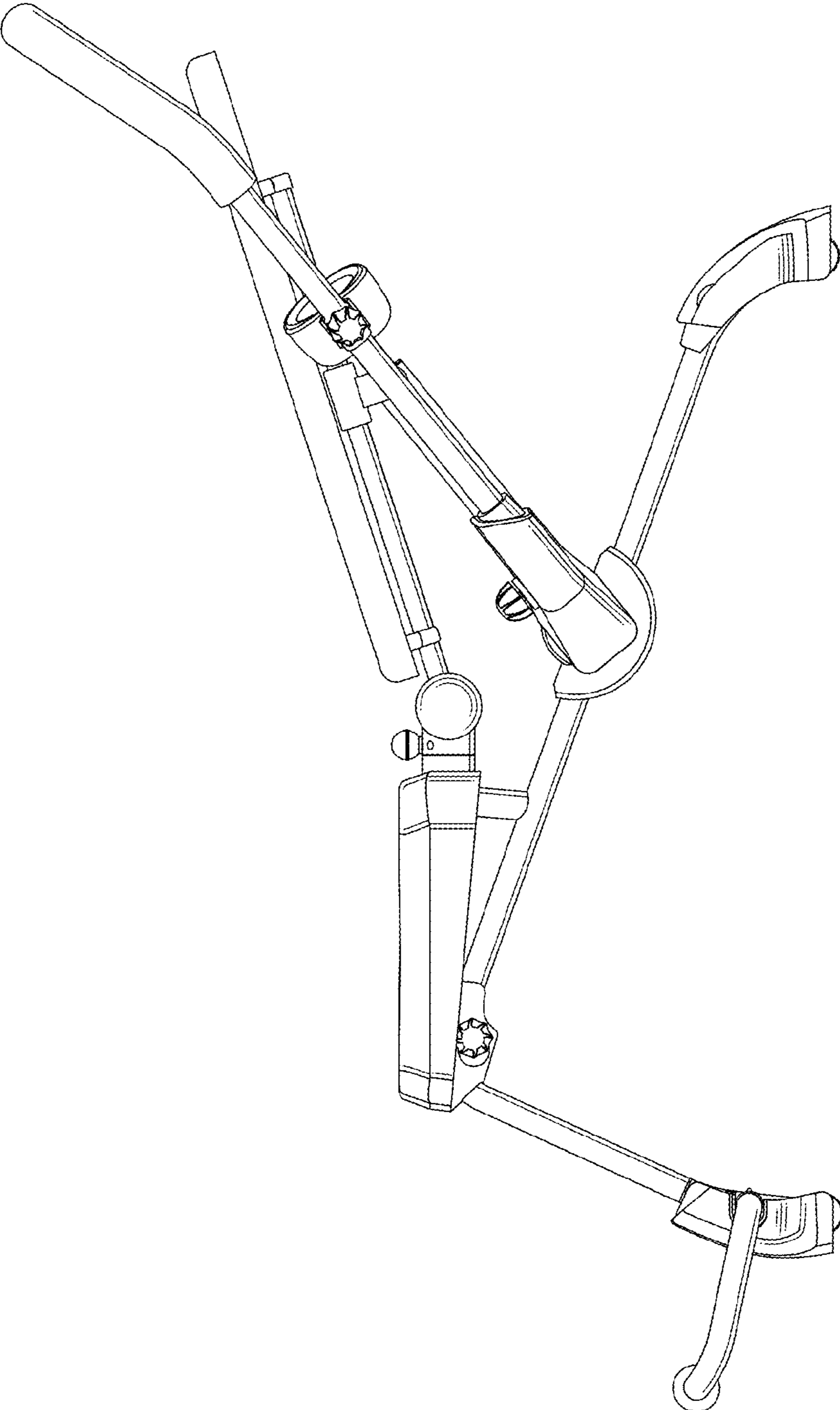


FIG.4

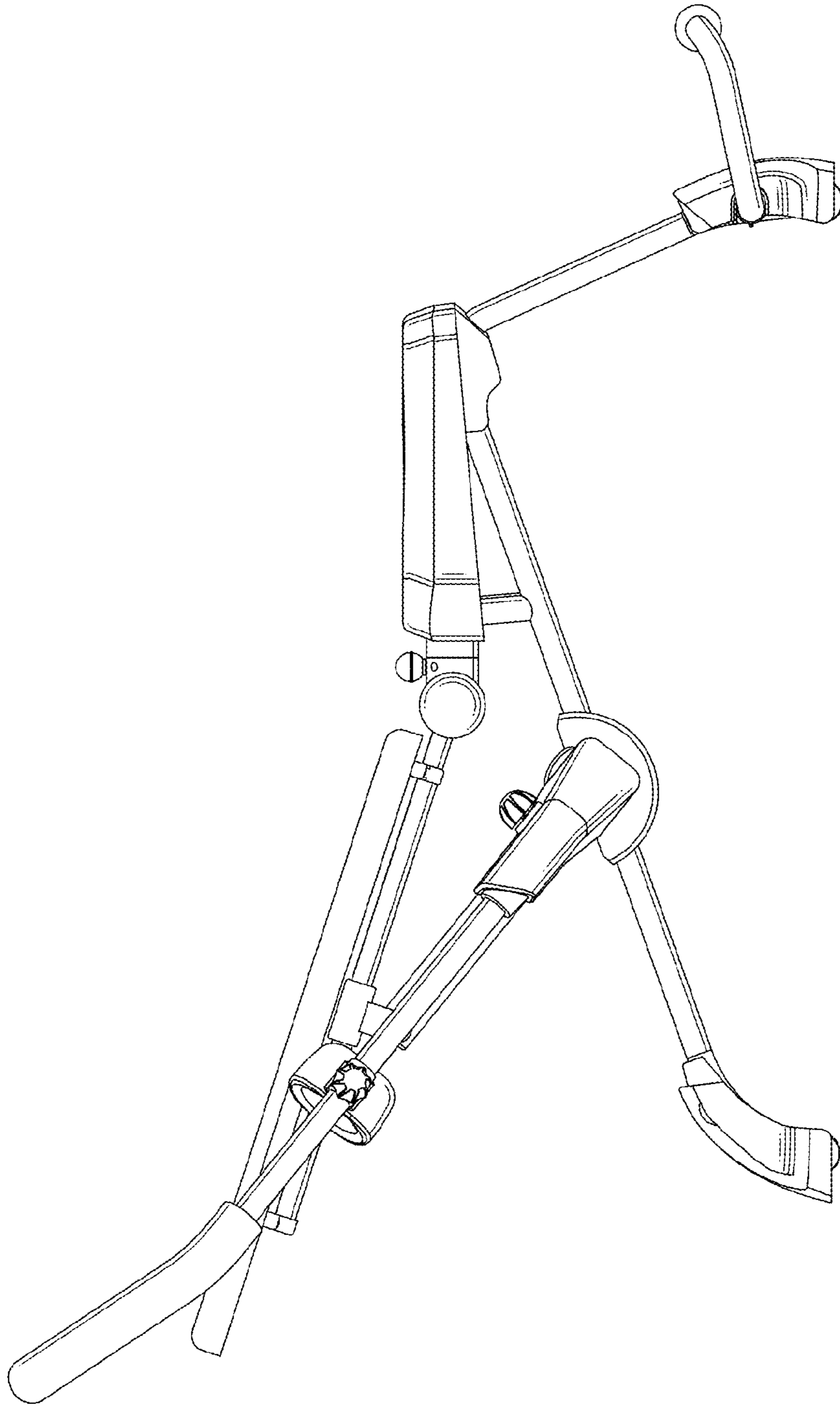


FIG.5

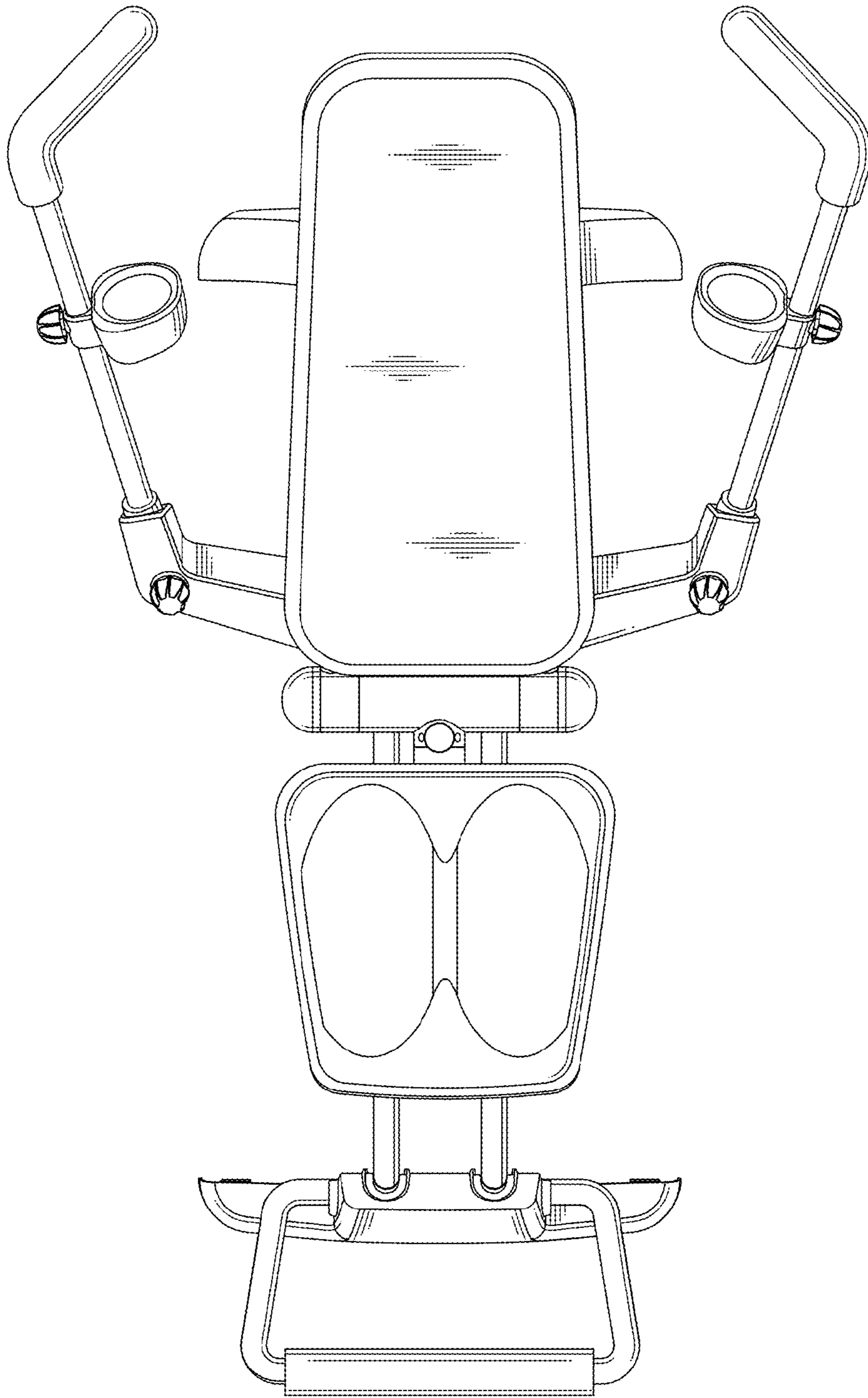


FIG.6

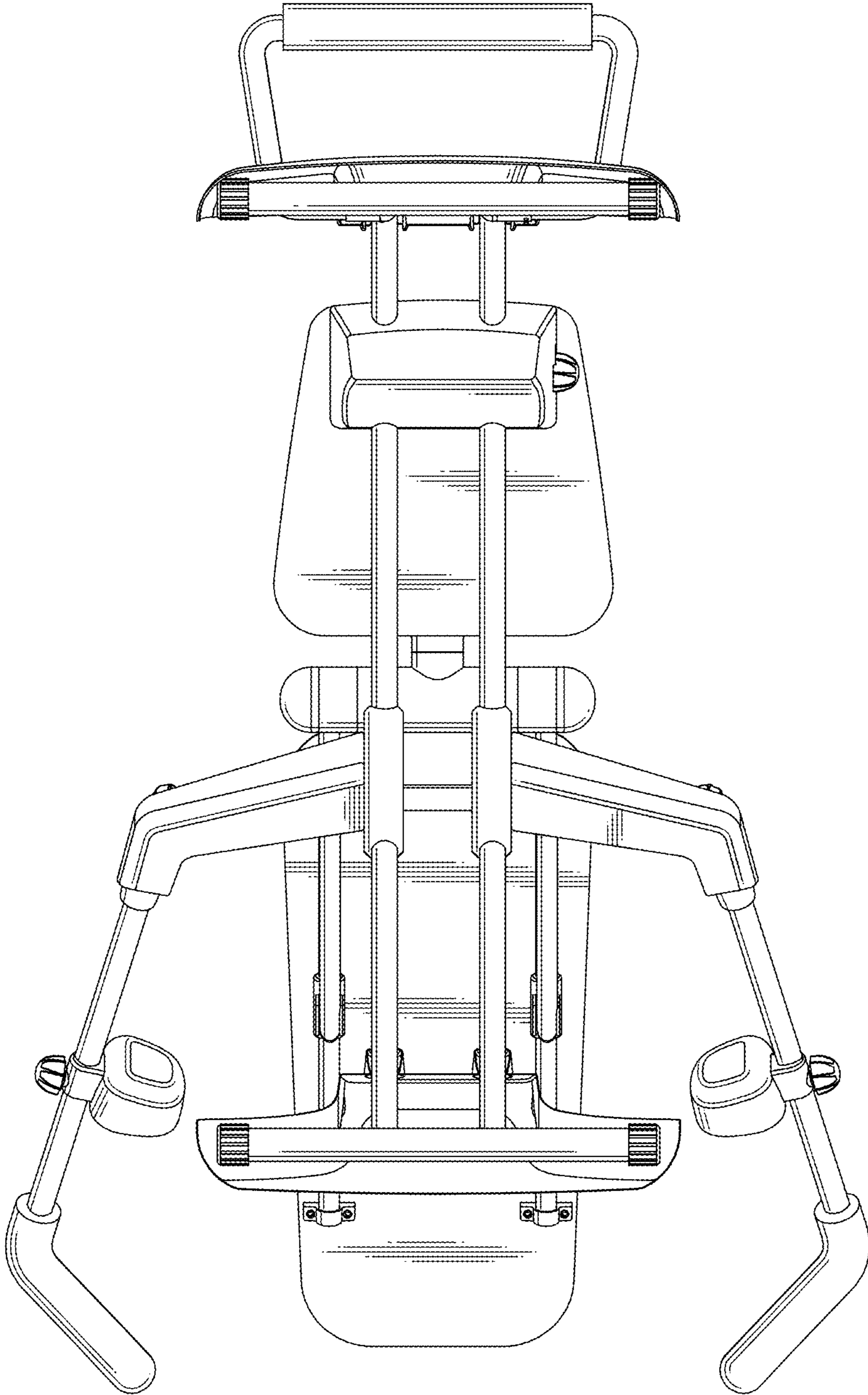


FIG.7