



US00D719222S

(12) **United States Design Patent**
Kasahara

(10) **Patent No.:** **US D719,222 S**

(45) **Date of Patent:** **** Dec. 9, 2014**

(54) **TOY SHIP**

(71) Applicant: **Epoch Company, Ltd.**, Tokyo (JP)

(72) Inventor: **Masahiro Kasahara**, Tokyo (JP)

(73) Assignee: **Epoch Company, Ltd.**, Tokyo (JP)

(**) Term: **14 Years**

(21) Appl. No.: **29/484,471**

(22) Filed: **Mar. 10, 2014**

(51) **LOC (10) Cl.** **21-01**

(52) **U.S. Cl.**
USPC **D21/542**

(58) **Field of Classification Search**
CPC A63H 23/00; A63H 23/005; A63H 23/02;
A63H 23/04; A63H 23/06; A63H 23/10;
A63H 23/12; A63H 23/14
USPC D21/414, 542-547; 446/93, 153, 154,
446/156, 158, 160-165
See application file for complete search history.

(56) **References Cited**

U.S. PATENT DOCUMENTS

D202,100 S *	8/1965	Hance	D21/543
D204,287 S *	4/1966	Thompson	D21/546
D213,122 S *	1/1969	Lakin	D21/543
D234,965 S *	4/1975	Relling, Jr.	D21/542
D236,145 S *	7/1975	Tong	D21/546
D253,664 S *	12/1979	Hughes	D21/543
D254,381 S *	3/1980	Holden	D21/543

D258,071 S *	1/1981	Walker	D21/543
D262,563 S *	1/1982	Reiling et al.	D21/542
D262,948 S *	2/1982	Mayenschein et al.	D21/543
D266,684 S *	10/1982	Hughes	D21/543
D277,591 S *	2/1985	Rivollet	D21/542
4,723,930 A *	2/1988	Freese et al.	446/160

* cited by examiner

Primary Examiner — Cynthia M Chin

(74) *Attorney, Agent, or Firm* — Westerman, Hattori,
Daniels & Adrian, LLP

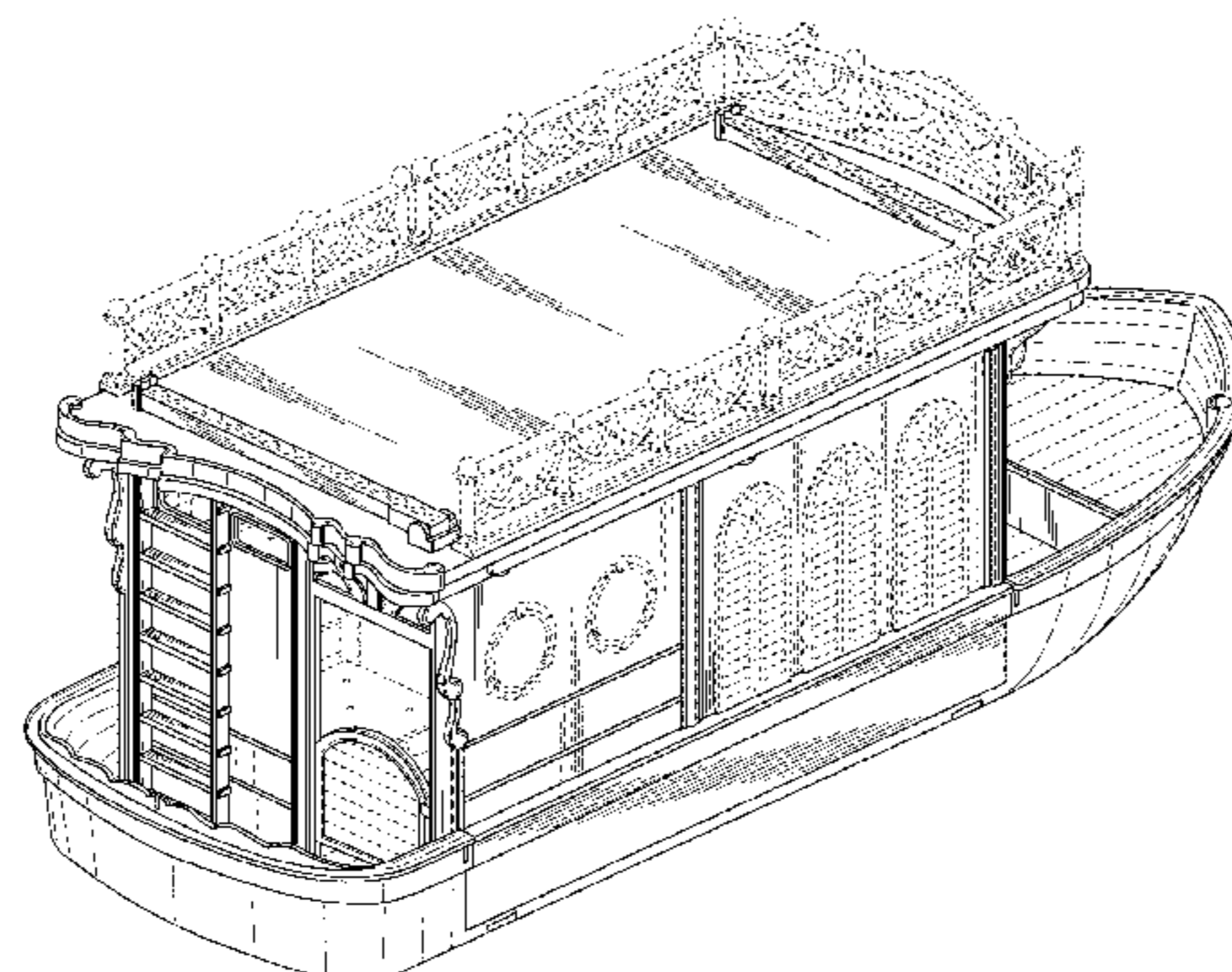
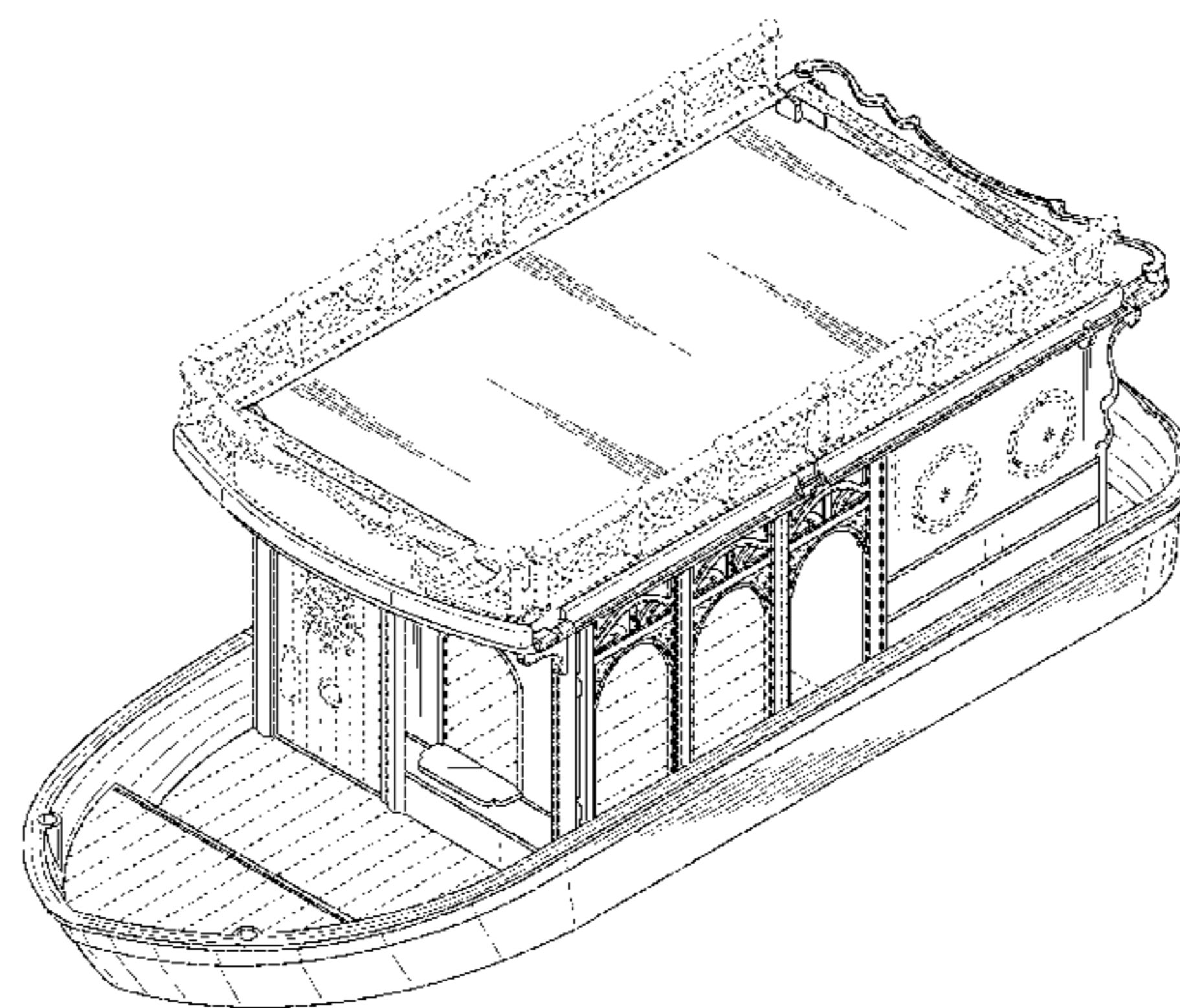
(57) **CLAIM**

The ornamental design for a toy ship, as shown and described.

DESCRIPTION

FIG. 1 is a left front perspective view of a toy ship showing my new design;
FIG. 2 is a right rear perspective view thereof;
FIG. 3 is a front elevational view thereof;
FIG. 4 is a rear elevational view thereof;
FIG. 5 is a top plan view thereof;
FIG. 6 is a bottom plan view thereof;
FIG. 7 is a right side elevational view thereof;
FIG. 8 is a left side elevational view thereof; and,
FIG. 9 is a right rear perspective view thereof, showing the roof, rear side, and doors on the right and left sides in an open state.
The broken lines illustrate portions of the toy ship that form no part of the claimed design.

1 Claim, 9 Drawing Sheets



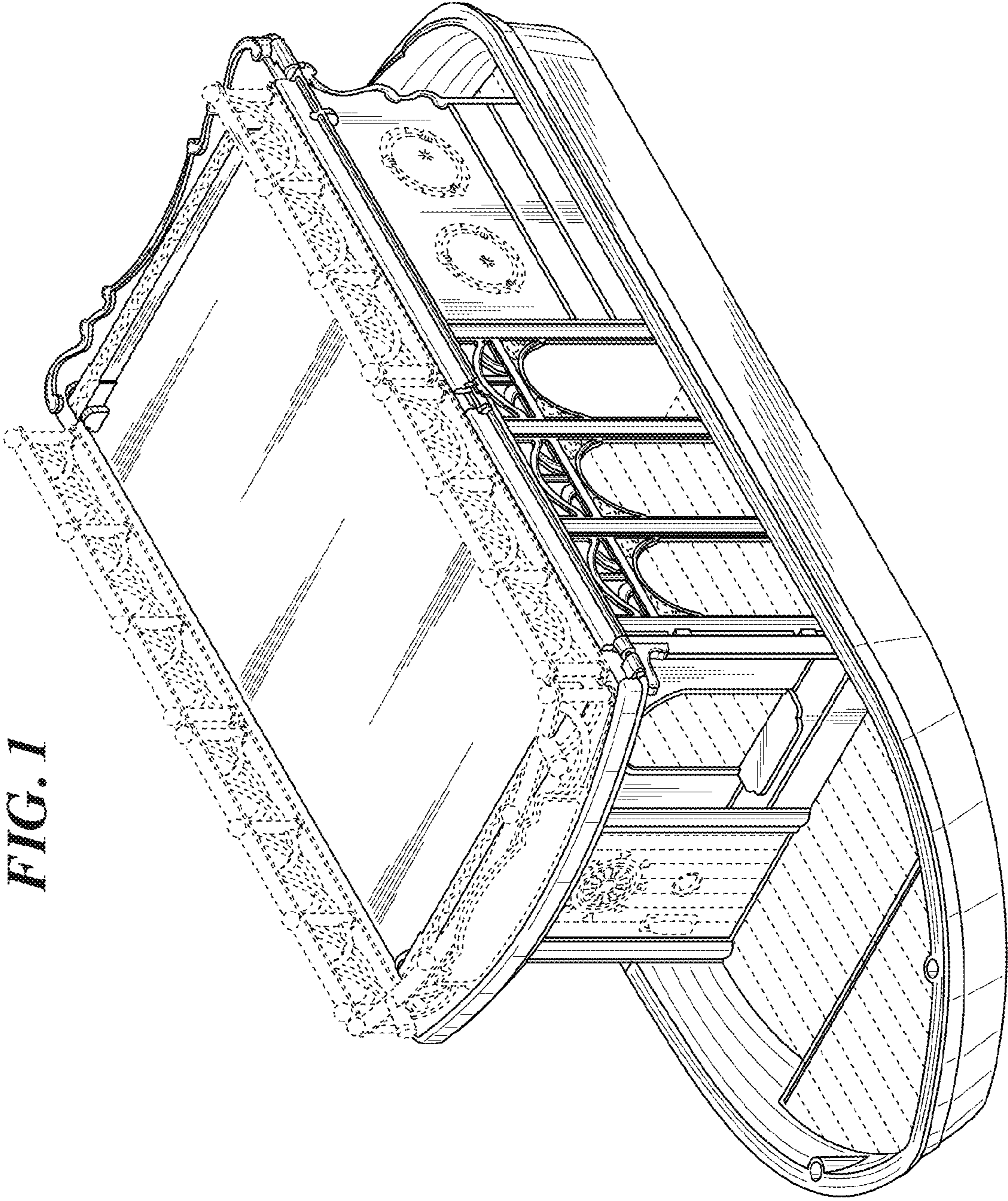


FIG. 1

FIG. 2

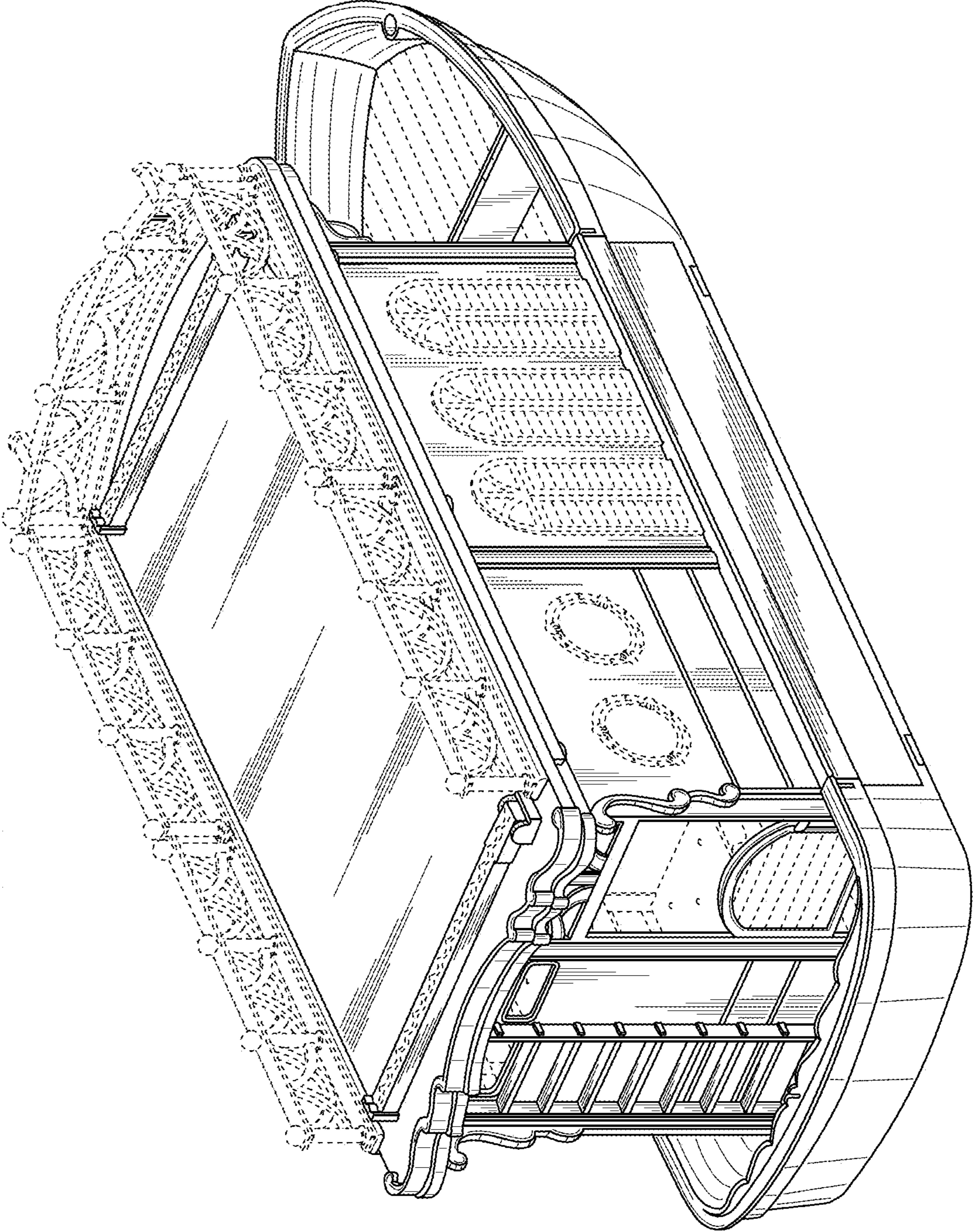


FIG. 3

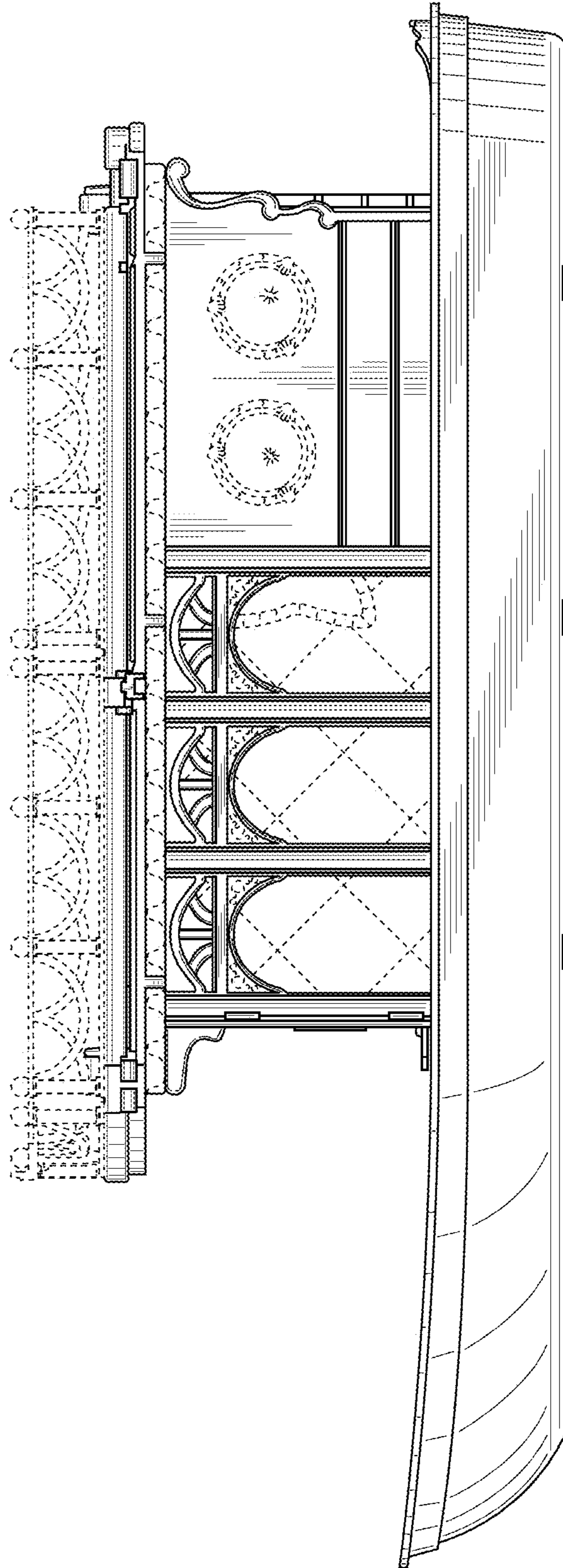


FIG. 4

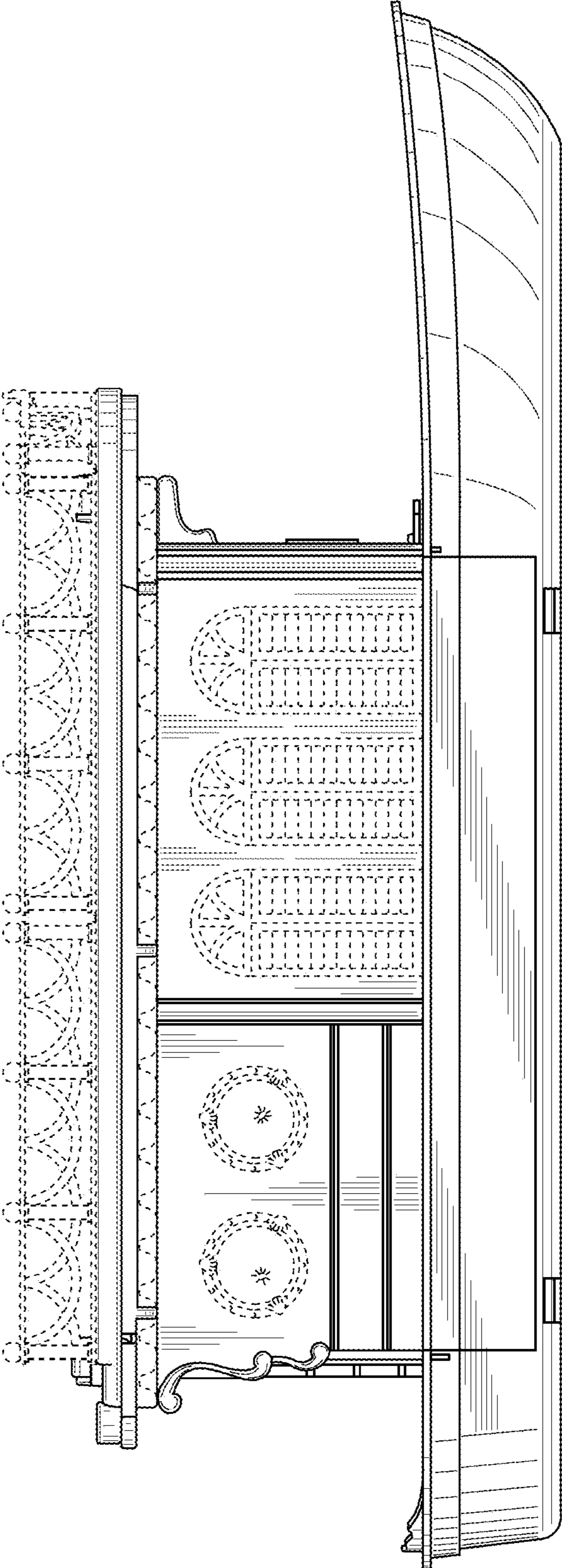


FIG. 5

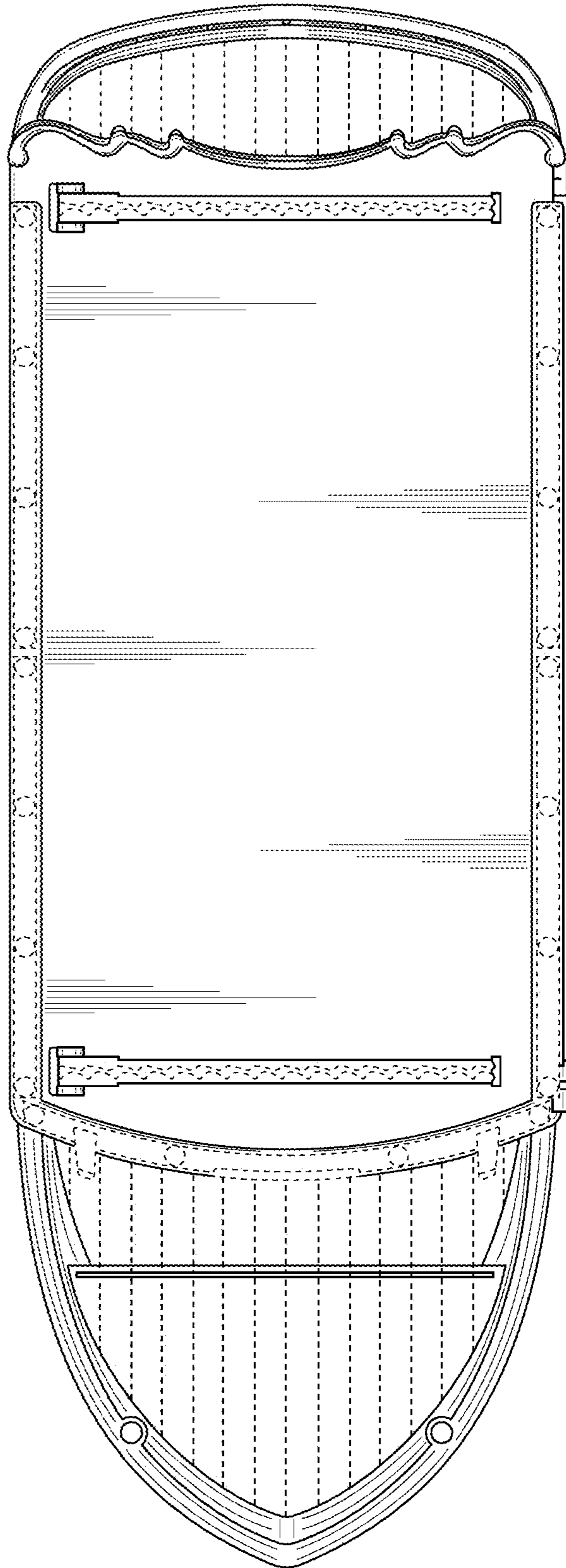


FIG. 6

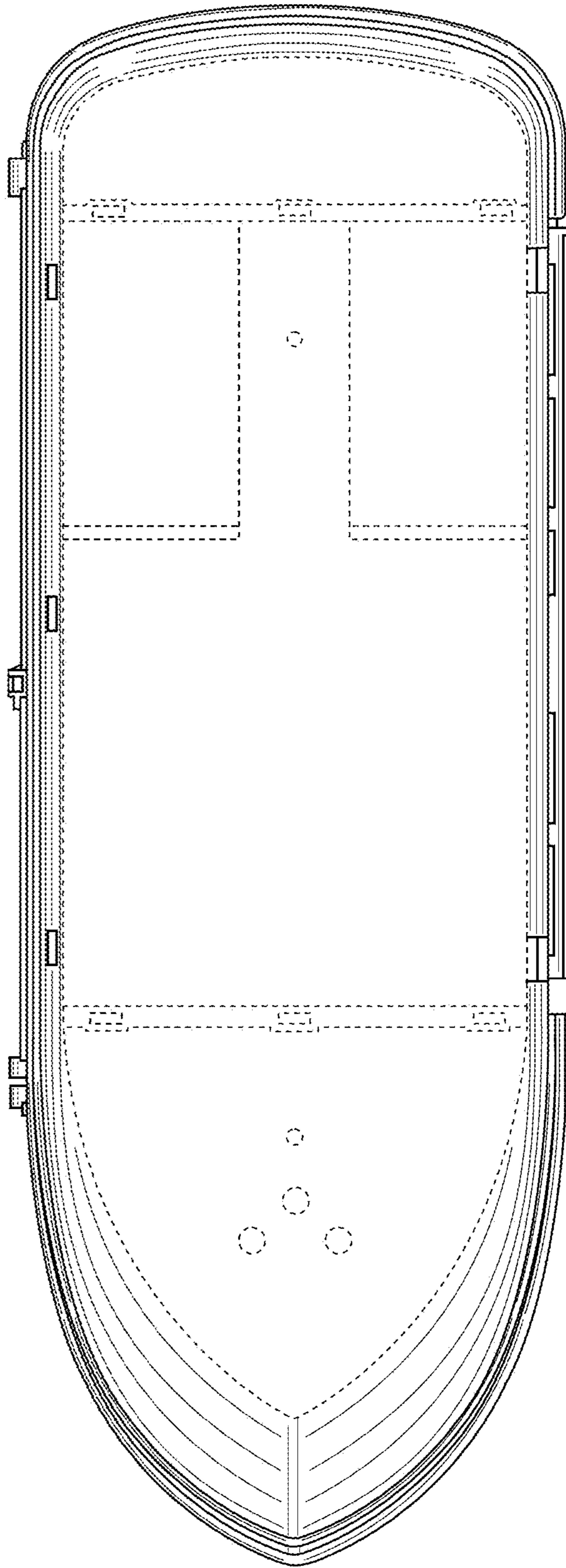


FIG. 7

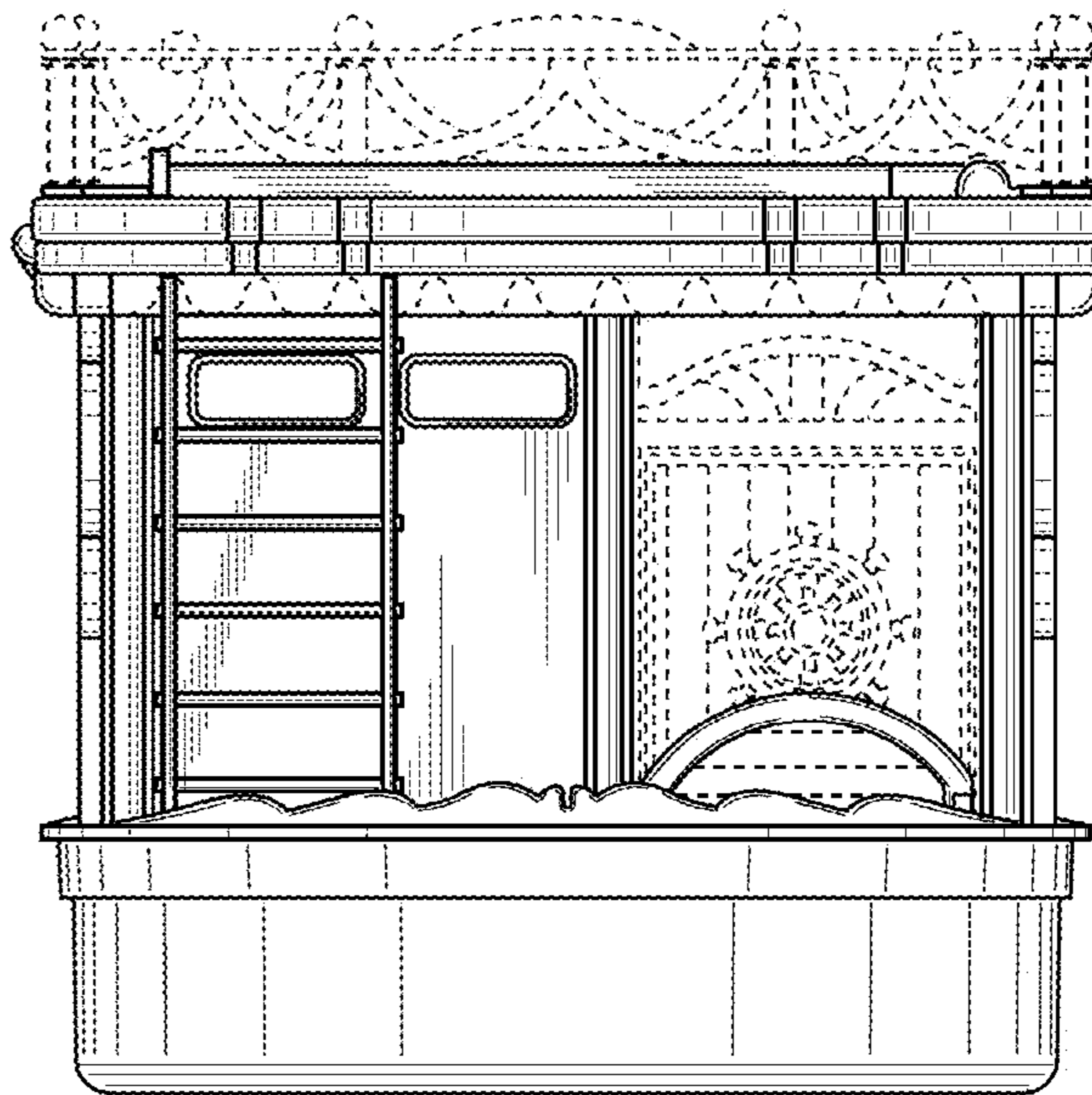


FIG. 8

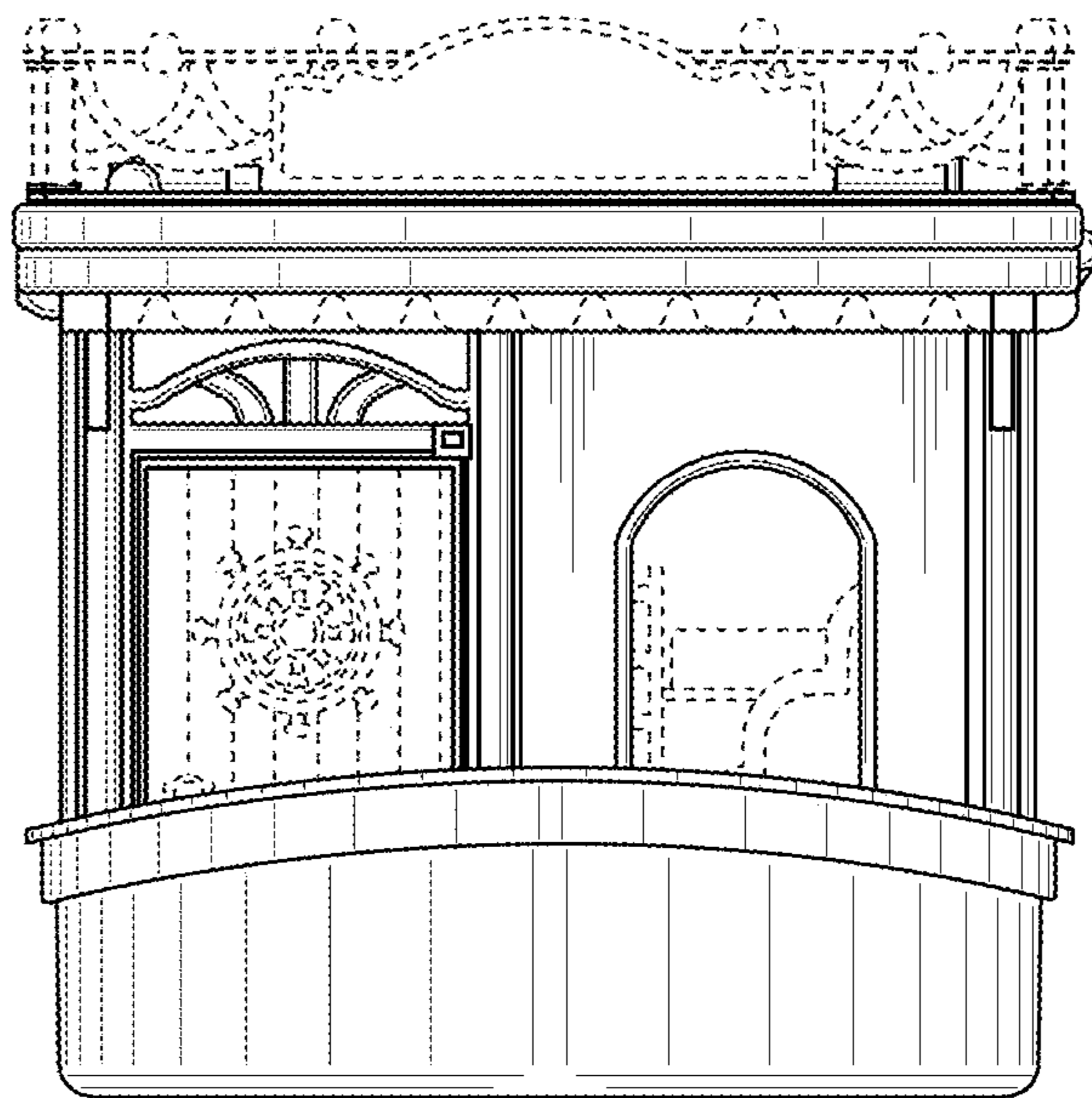


FIG. 9

