



US00D719221S

(12) **United States Design Patent**
Kasahara

(10) **Patent No.:** **US D719,221 S**
(45) **Date of Patent:** **** Dec. 9, 2014**

(54) **TOY SHIP**

(71) Applicant: **Epoch Company, Ltd.**, Tokyo (JP)

(72) Inventor: **Masahiro Kasahara**, Tokyo (JP)

(73) Assignee: **Epoch Company, Ltd.**, Tokyo (JP)

(**) Term: **14 Years**

(21) Appl. No.: **29/483,339**

(22) Filed: **Feb. 27, 2014**

(30) **Foreign Application Priority Data**

Aug. 28, 2013 (JP) 2013-019750

(51) **LOC (10) Cl.** **21-01**

(52) **U.S. Cl.**
USPC **D21/542**

(58) **Field of Classification Search**

CPC A63H 23/00; A63H 23/005; A63H 23/02;
A63H 23/04; A63H 23/06; A63H 23/10;
A63H 23/12; A63H 23/14

USPC D21/414, 542-547; 446/93, 153, 154,
446/156, 158, 160-165

See application file for complete search history.

(56) **References Cited**

U.S. PATENT DOCUMENTS

D70,630 S * 7/1926 Scharff D21/544
D198,945 S * 8/1964 Plummer D21/546

D216,474 S * 1/1970 Tarrson D21/544
D229,846 S * 1/1974 Rae et al. D21/542
D230,366 S * 2/1974 Schmidt D21/542
D288,511 S * 3/1987 Sullivan D21/544
4,723,930 A * 2/1988 Freese et al. 446/93
D352,541 S * 11/1994 Shull et al. D21/544
D370,036 S * 5/1996 Jaeb et al. D21/544
D397,398 S * 8/1998 Bro et al. D21/544
D451,155 S * 11/2001 Yamazaki D21/542
D455,798 S * 4/2002 Yamazaki D21/544
D636,447 S * 4/2011 Lockwood D21/542

* cited by examiner

Primary Examiner — Cynthia M Chin

(74) *Attorney, Agent, or Firm* — Westerman, Hattori,
Daniels & Adrian, LLP

(57) **CLAIM**

The ornamental design for a toy ship, as shown and described.

DESCRIPTION

FIG. 1 is a left front perspective view of a toy ship showing my new design;

FIG. 2 is a right front perspective view thereof;

FIG. 3 is a front elevational view thereof;

FIG. 4 is a rear elevational view thereof;

FIG. 5 is a top plan view thereof;

FIG. 6 is a bottom plan view thereof;

FIG. 7 is a right side elevational view thereof; and,

FIG. 8 is a left side elevational view thereof.

The broken lines illustrate portions of the toy ship that form no part of the claimed design.

1 Claim, 8 Drawing Sheets

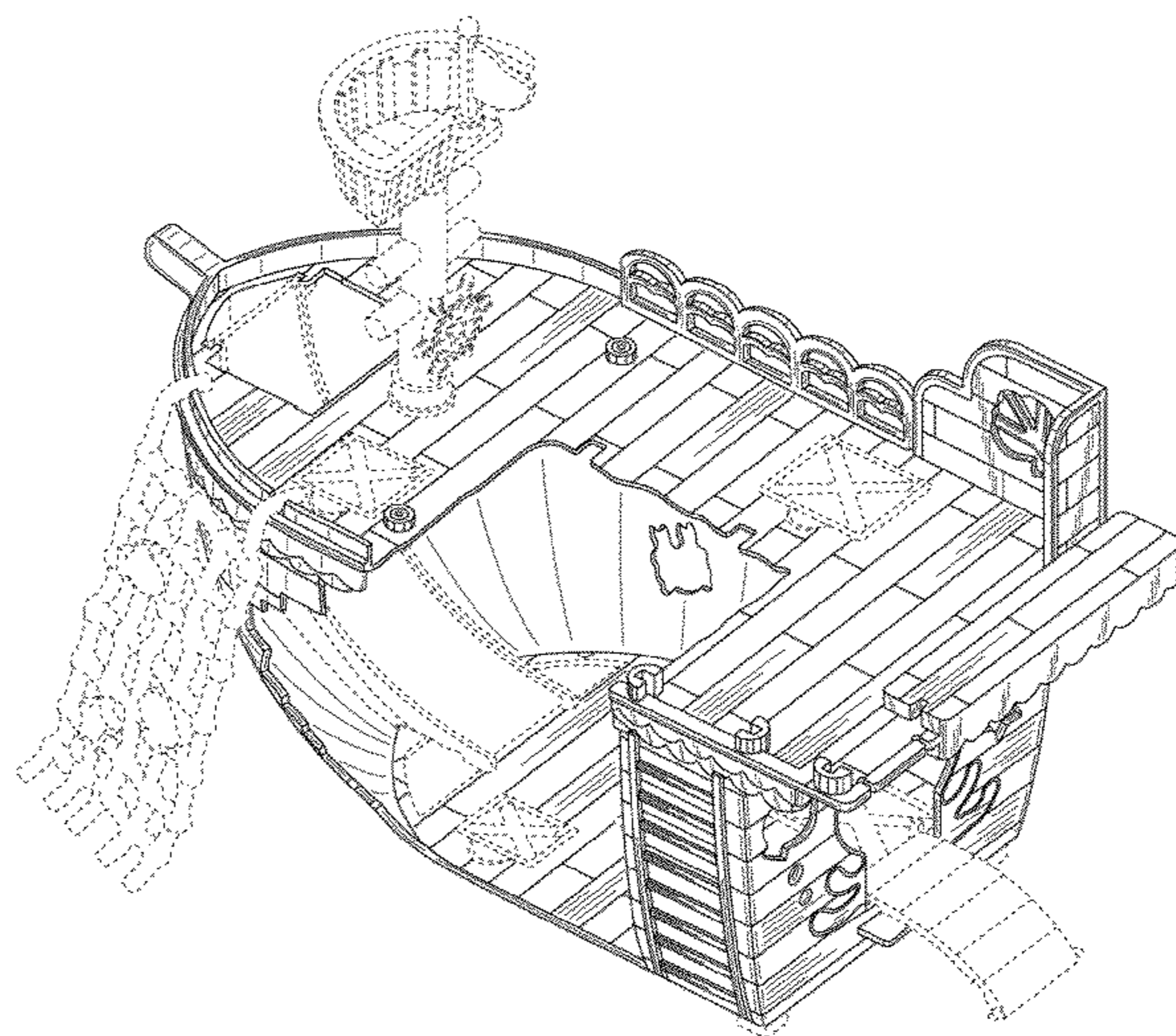
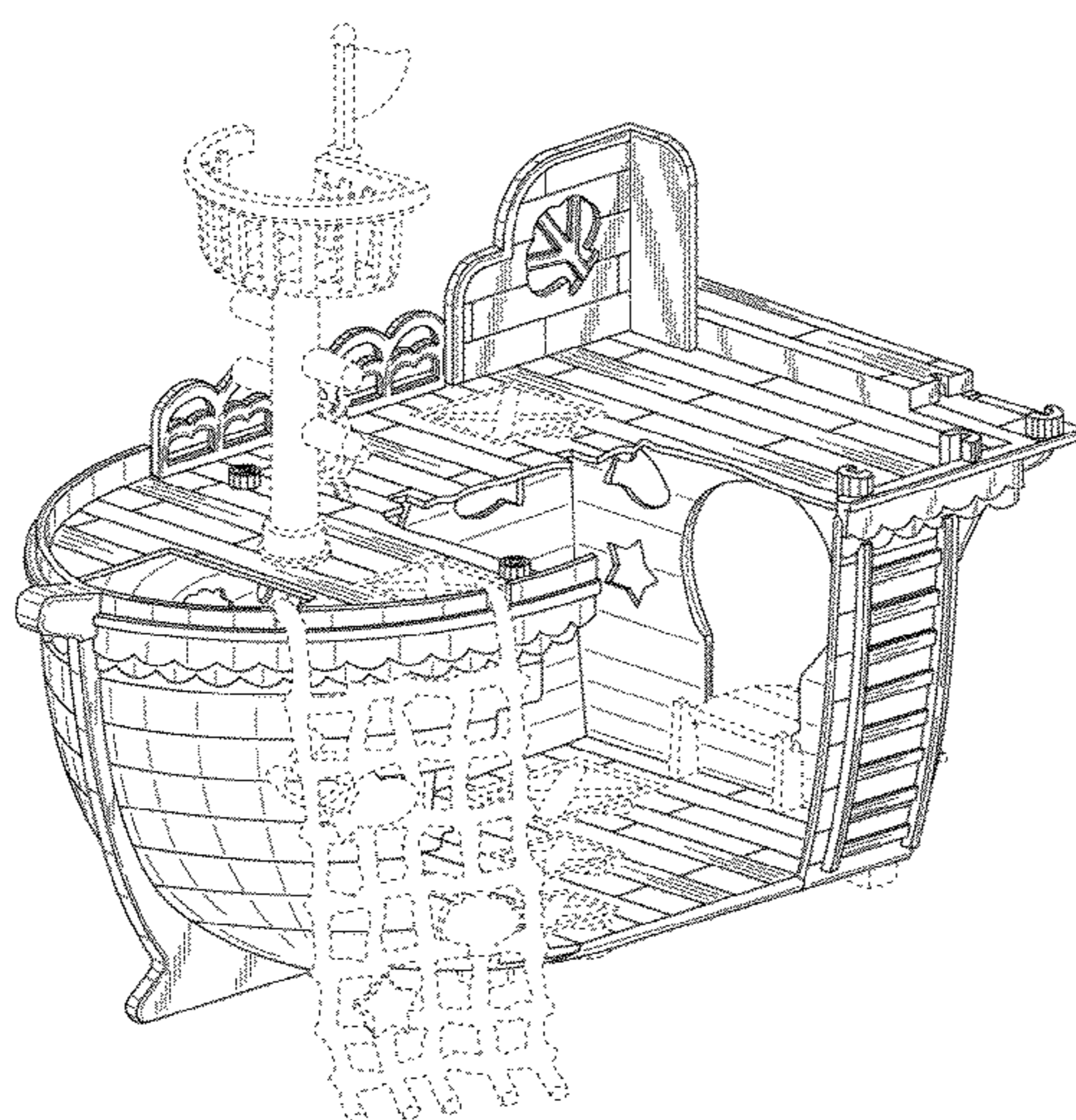


FIG. 1

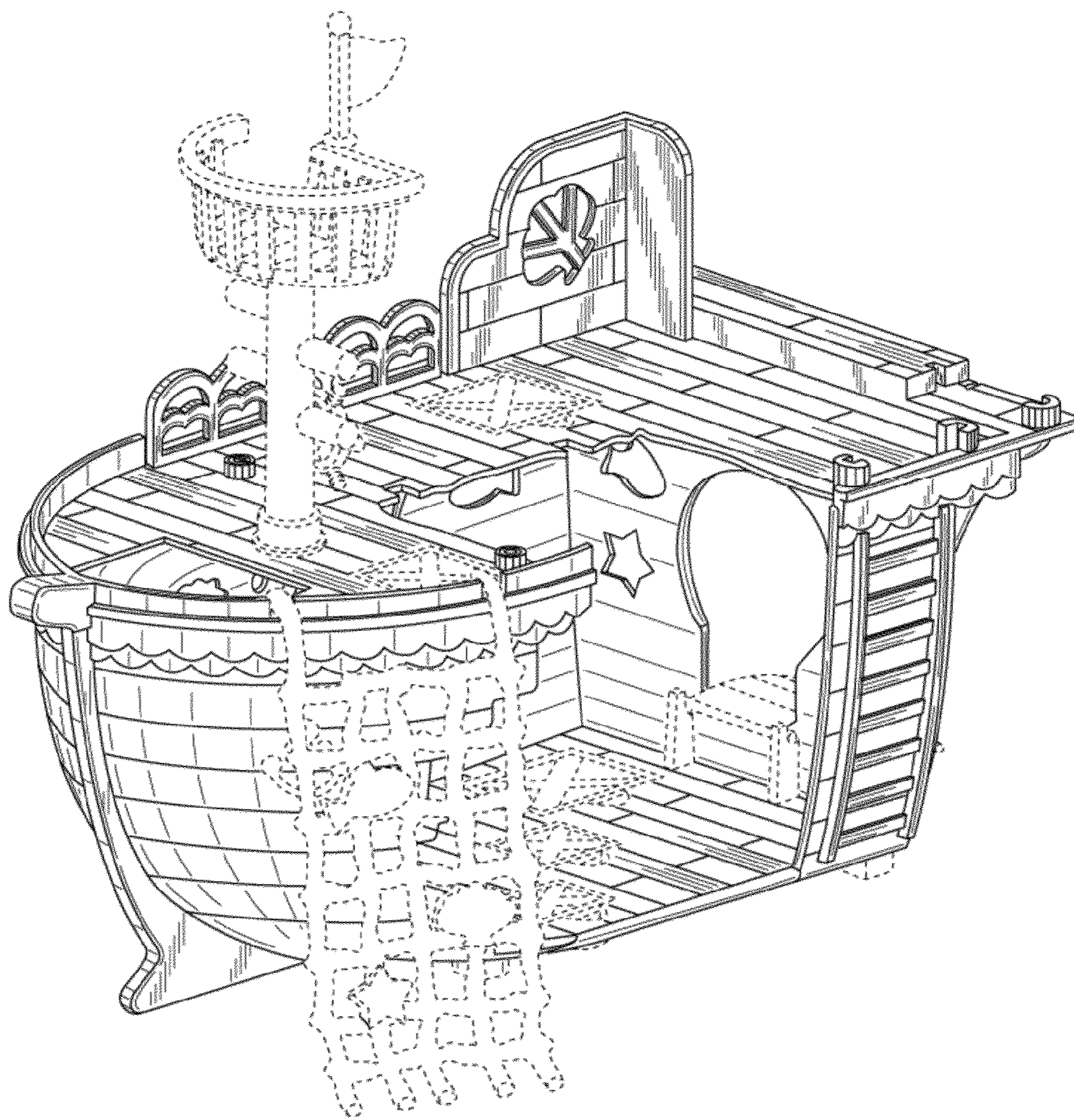


FIG. 2

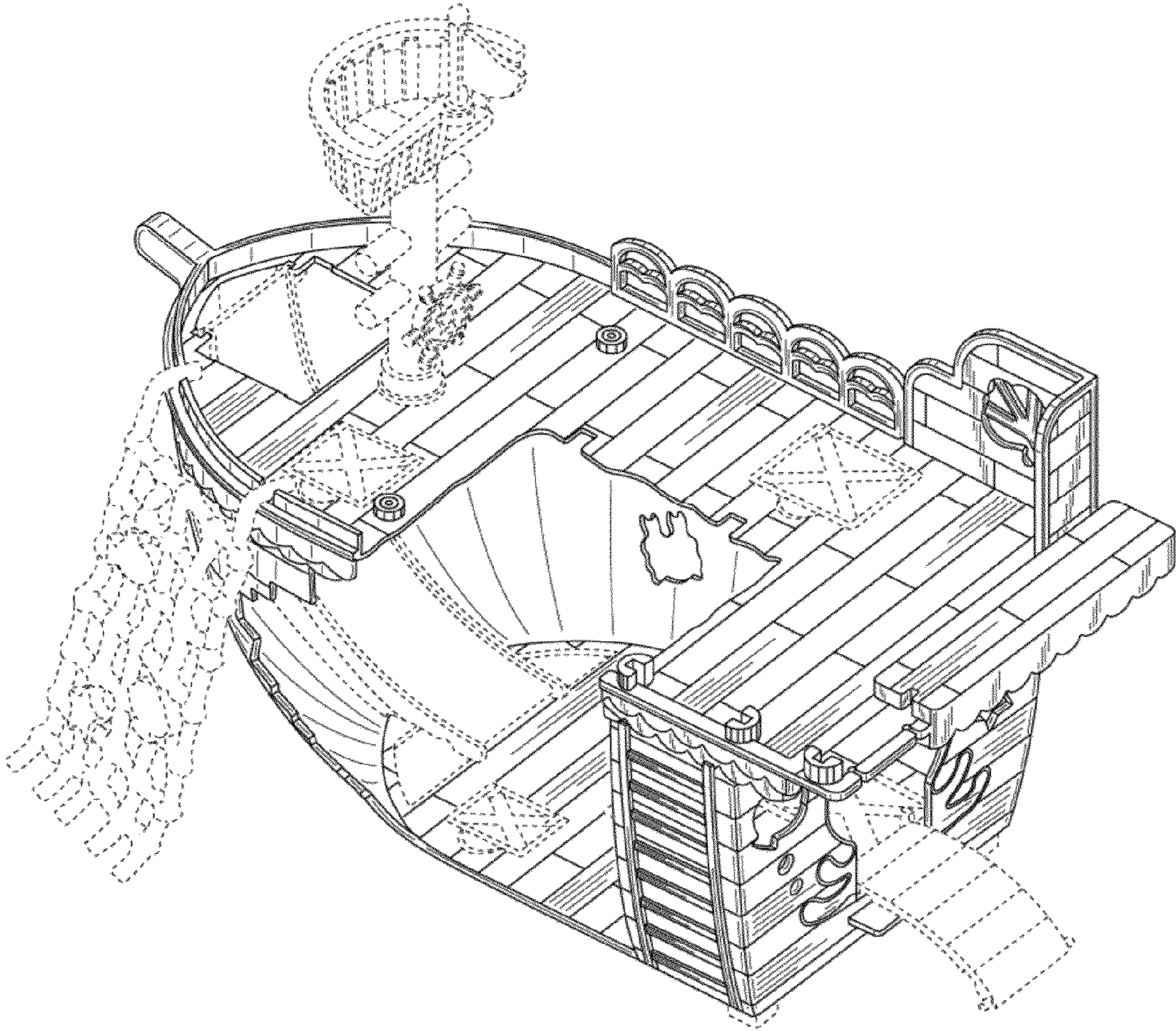


FIG. 3

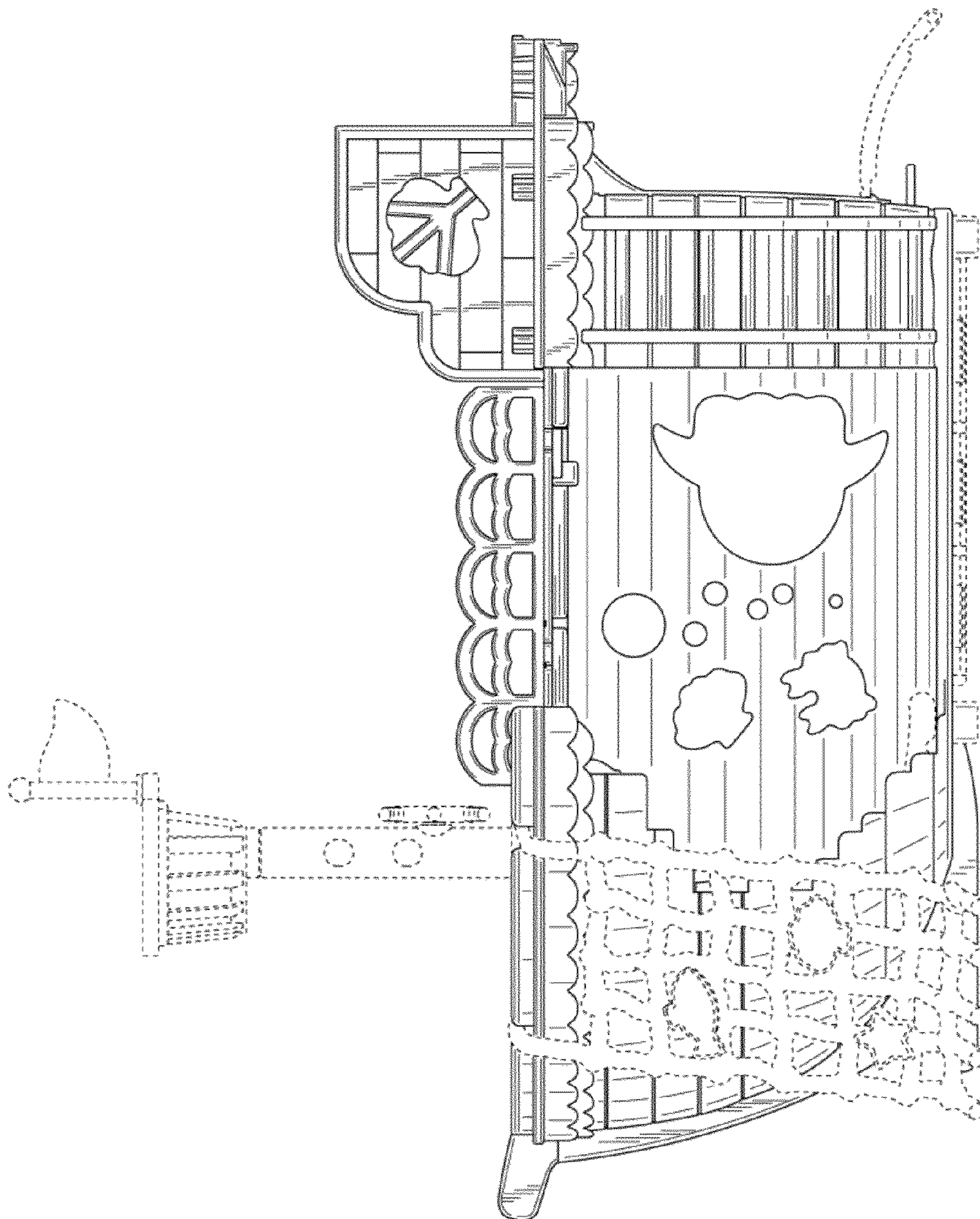


FIG. 4

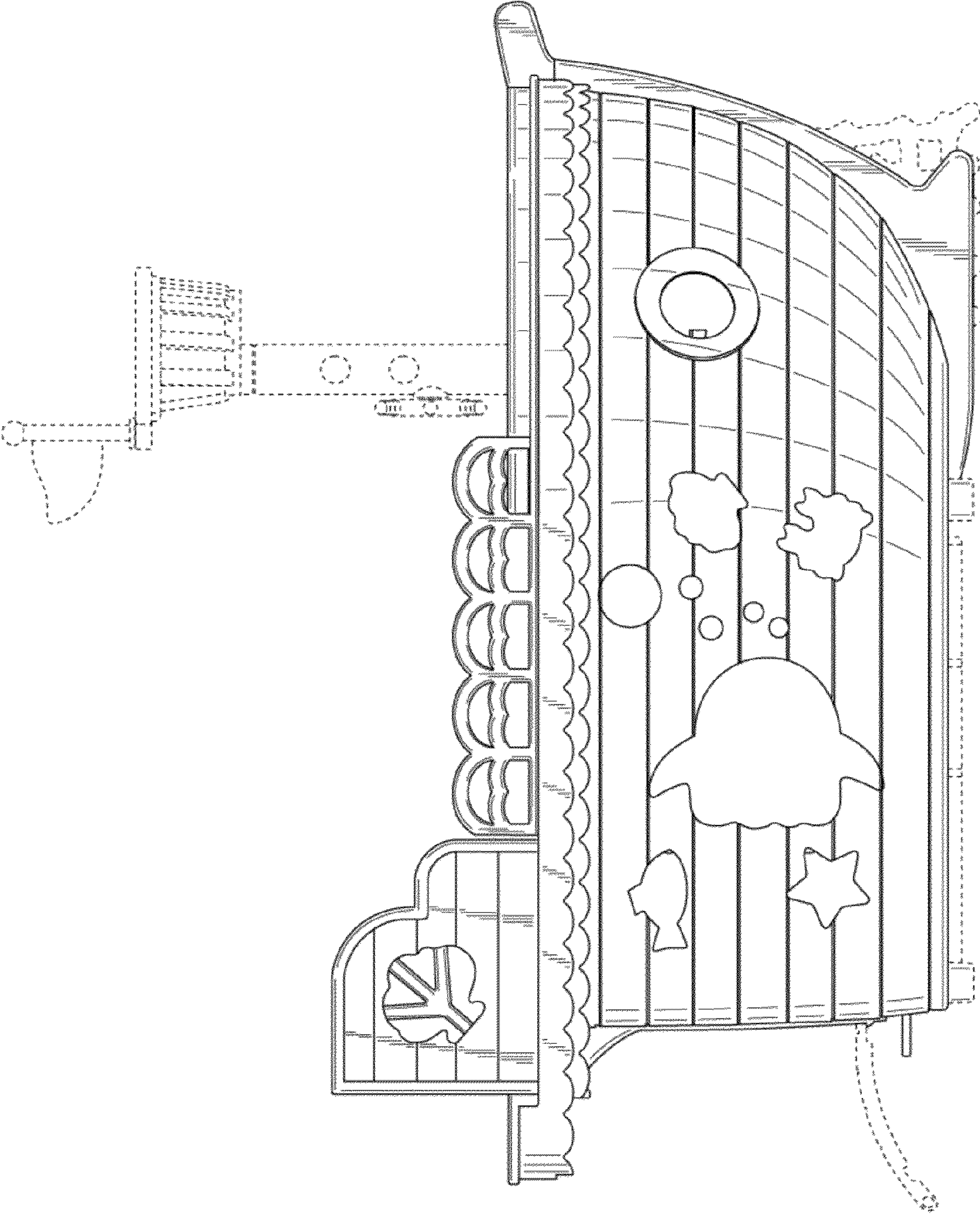


FIG. 5

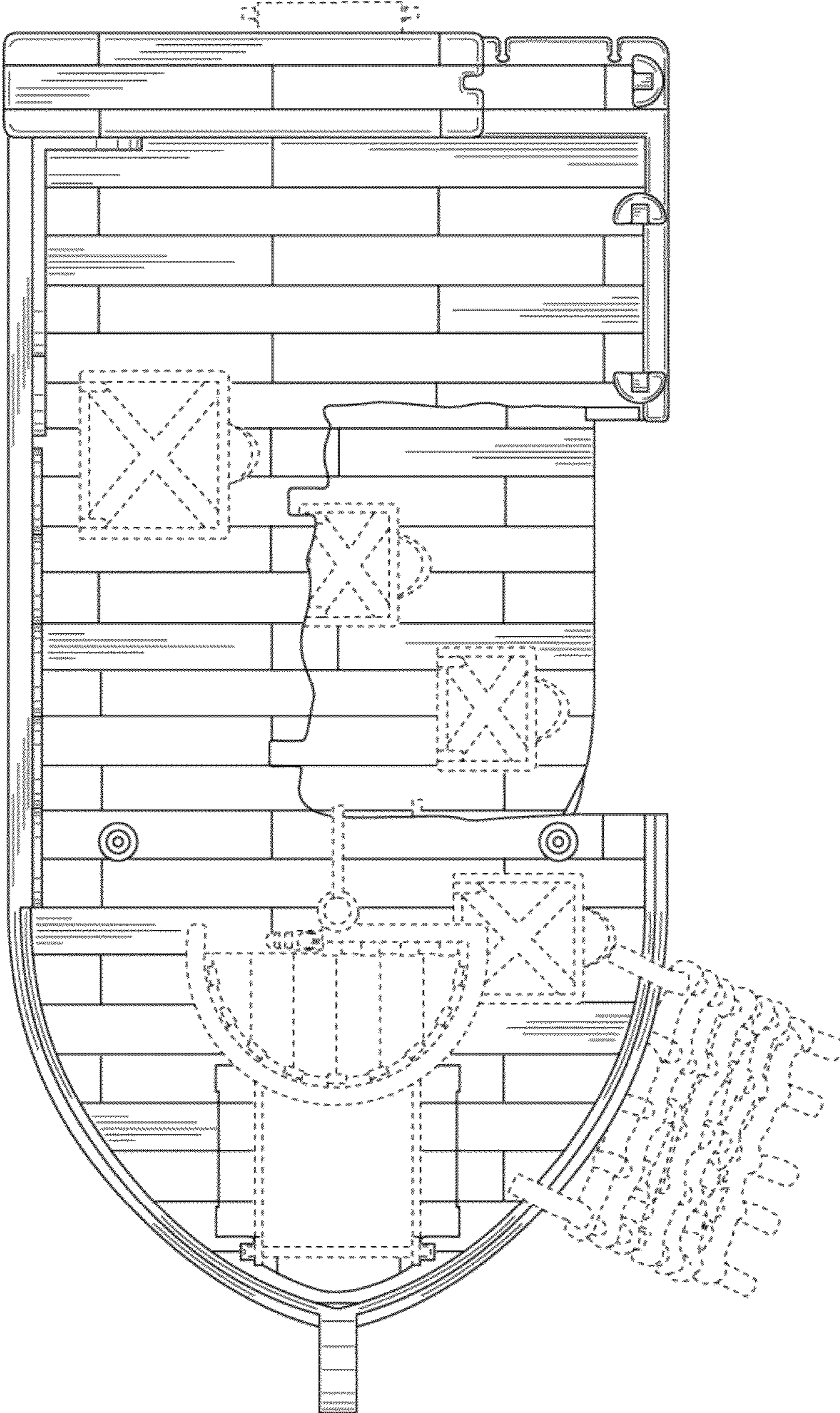


FIG. 6

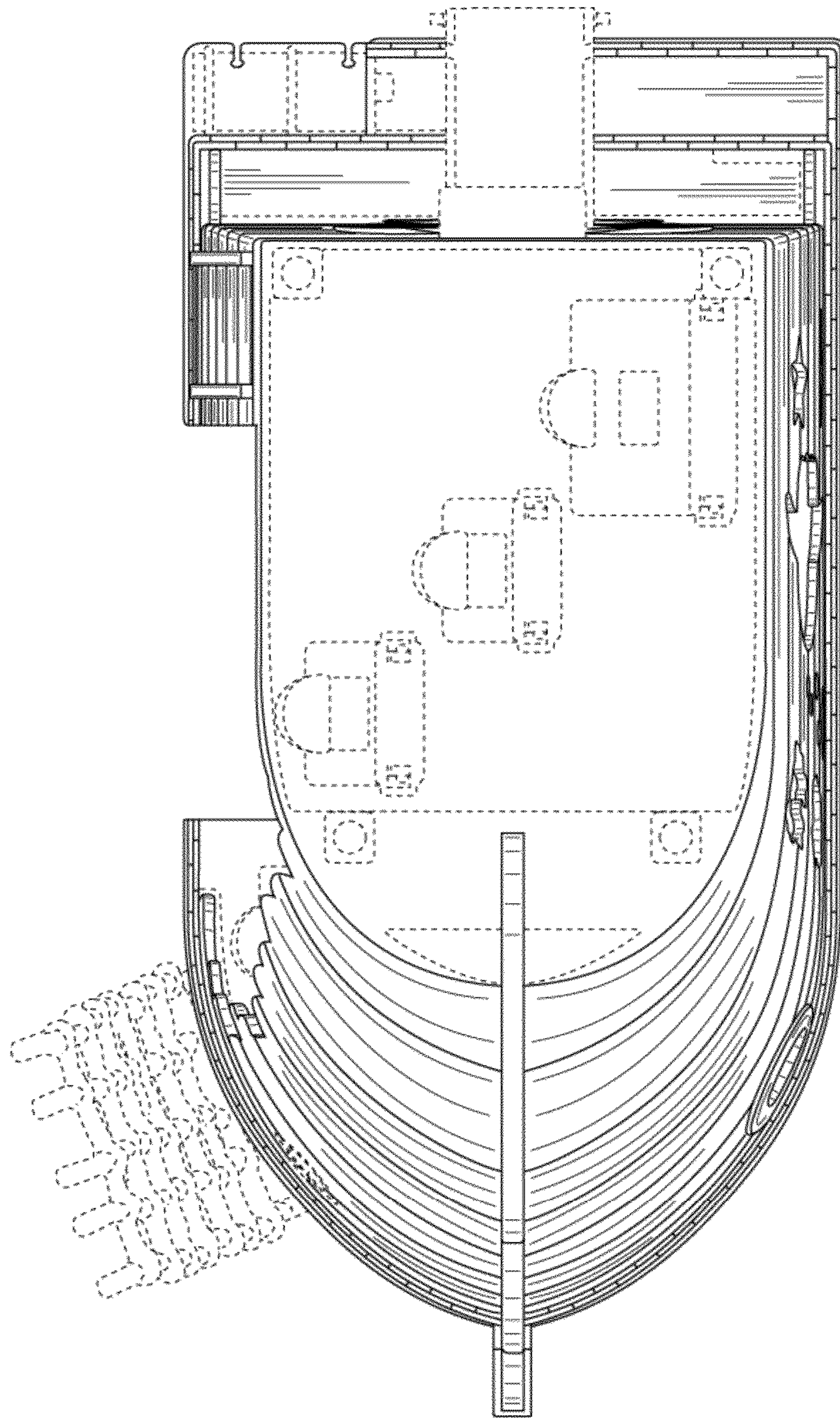


FIG. 7

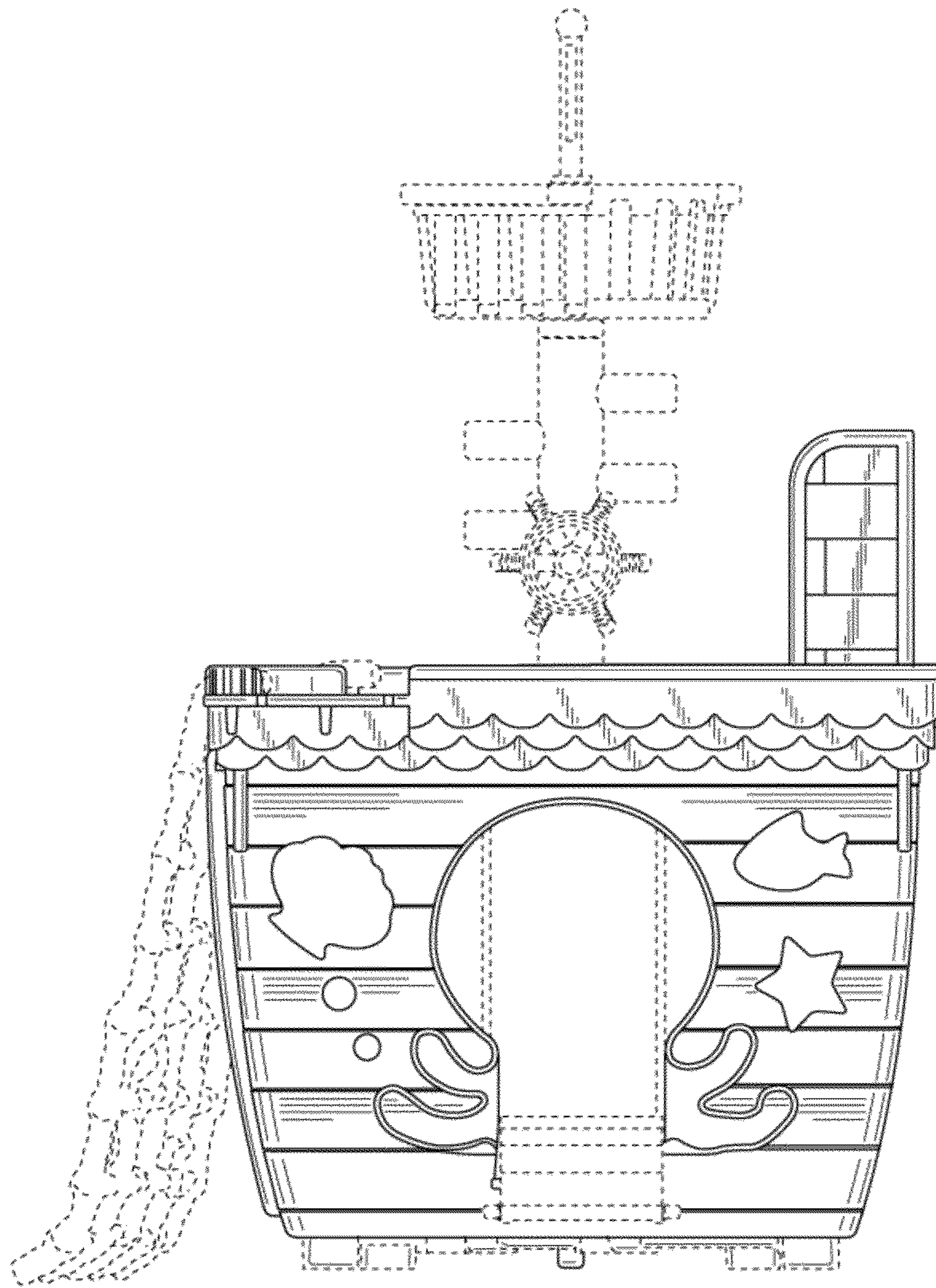


FIG. 8

