



US00D719220S

(12) **United States Design Patent**
Chase et al.

(10) **Patent No.:** **US D719,220 S**
(45) **Date of Patent:** **** Dec. 9, 2014**

(54) **TOY**

(75) Inventors: **Mark Chase**, Minneapolis, MN (US);
Daniel J. Hoyord, St. Paul, MN (US);
Justin F. Wood, Minneapolis, MN (US);
Christopher T. Sodt, Plymouth, MN
(US); **Joel T. Bodkin**, Minneapolis, MN
(US); **Wanda Dent**, Chanhassen, MN
(US)

(73) Assignee: **Target Brands, Inc.**, Minneapolis, MN
(US)

(**) Term: **14 Years**

(21) Appl. No.: **29/427,833**

(22) Filed: **Jul. 23, 2012**

(51) **LOC (10) Cl.** **21-01**

(52) **U.S. Cl.**
USPC **D21/468**; D21/398

(58) **Field of Classification Search**
CPC . A63F 2007/4081; A63F 9/34; A63F 7/3622;
A63F 9/0666; A63F 9/0876; A63H 33/00
USPC D21/334, 337, 350, 392, 393, 397, 398,
D21/404, 465, 466, 467, 468, 471, 475, 476,
D21/478, 480, 482, 484, 485, 488, 489, 490,
D21/492, 493, 495; D3/18, 20, 21, 23-26;
D11/132-140; D19/59, 62, 64, 35, 75,
D19/91, 92, 95, 96, 97; D28/73-75;
D20/19, 21, 29, 30, 35; D7/601, 602,
D7/610, 701, 702, 707, 628, 630; 446/117,
446/129, 131, 137, 138, 227, 489; 273/239,
273/241, 264, 271, 272, 281, 287, 153 R,
273/157 R, 158, 159, 153 S; 434/128, 203,
434/208, 247, 259, 393, 403, 429

See application file for complete search history.

(56) **References Cited**

U.S. PATENT DOCUMENTS

D70,510 S *	7/1926	Schacht	D21/304
D70,890 S *	8/1926	Olson	D3/25
D141,514 S *	6/1945	Wolf	D21/455
D142,020 S	8/1945	Davidson		
D149,638 S *	5/1948	Heider	D3/25
2,491,585 A *	12/1949	Sammons	242/141
D207,321 S *	4/1967	Walker, Jr.	D3/25

(Continued)

OTHER PUBLICATIONS

“Boikido Wooden Marine Maze,” printed from www.toysrus.com/product/index.jsp?productId=4086530 on Jan. 24, 2012 (3 pages).

(Continued)

Primary Examiner — Catherine Tuttle

(74) *Attorney, Agent, or Firm* — JoAnn M. Seaton; Griffiths & Seaton PLLC

(57) **CLAIM**

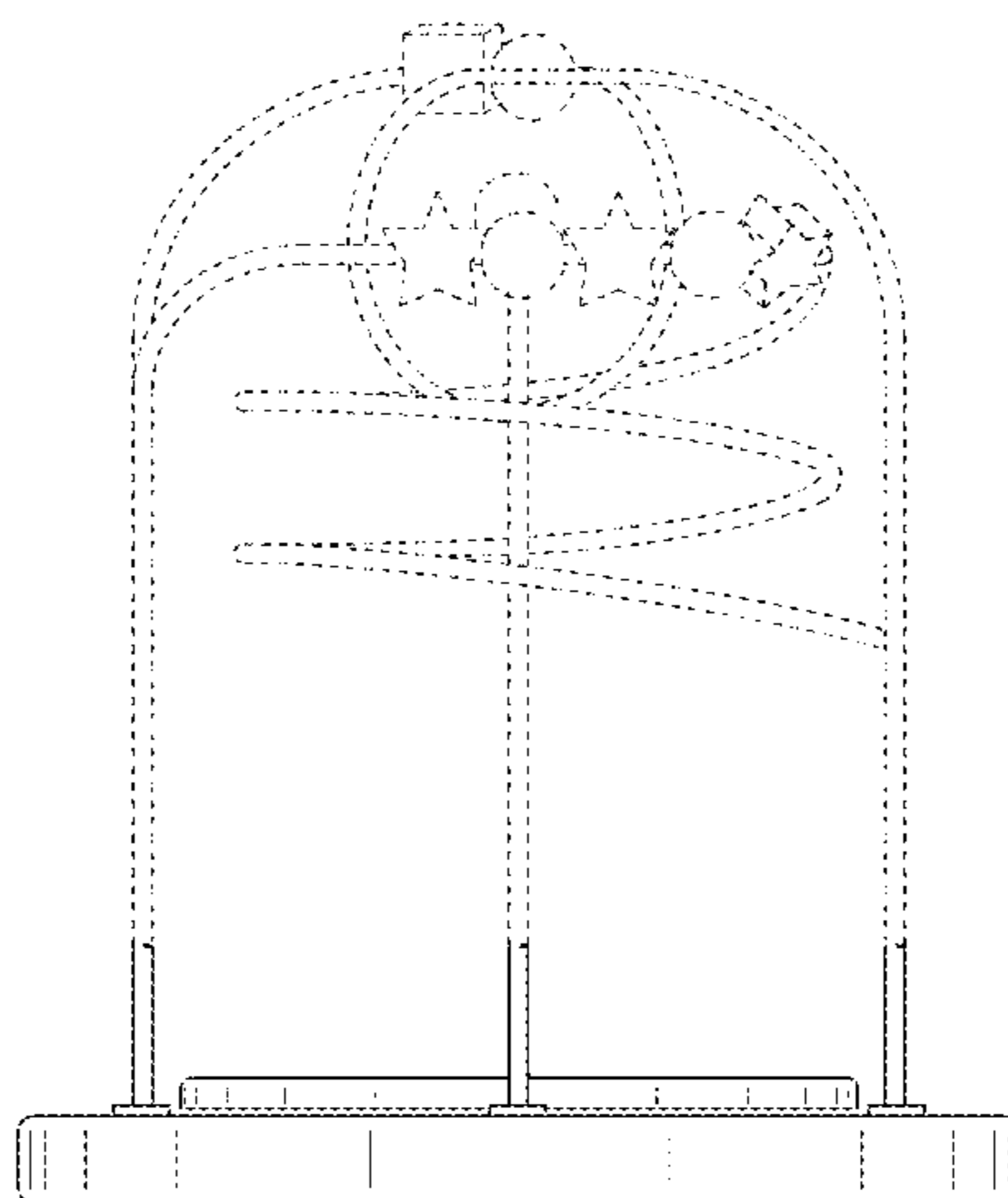
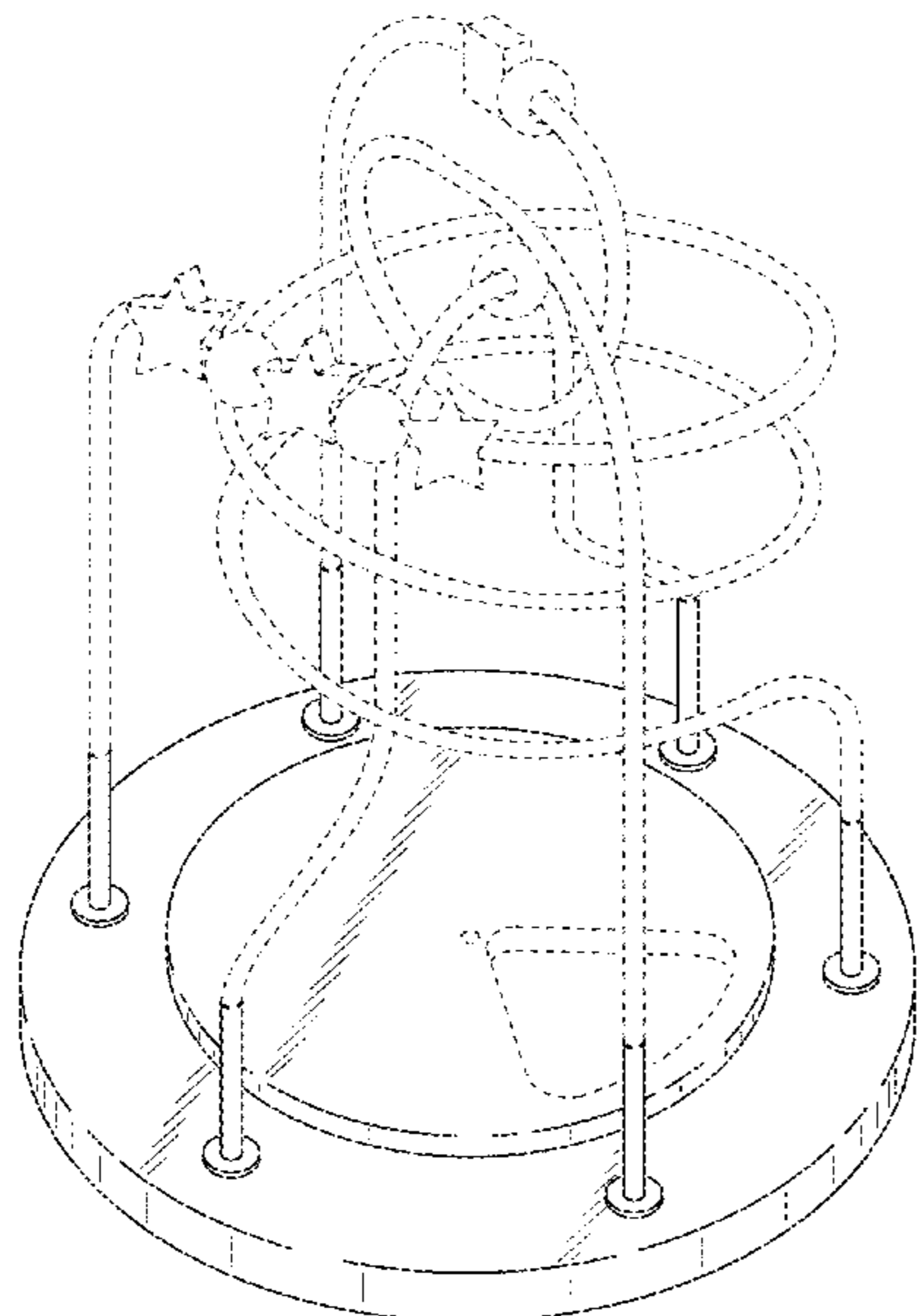
The ornamental design for a toy, as shown and described.

DESCRIPTION

FIG. 1 is a top and front, perspective view of a toy showing our new design;
FIG. 2 is a front view thereof;
FIG. 3 is a rear view thereof;
FIG. 4 is a right side view thereof;
FIG. 5 is a left side view thereof;
FIG. 6 is a top view thereof; and,
FIG. 7 is a bottom view.

The features shown in broken lines are portions of the toy forming no part of the claimed design. The bolded broken lines between the solid and broken line portions or the wires indicate the bounds of the claimed design and otherwise form no part of the claimed design.

1 Claim, 7 Drawing Sheets



(56)

References Cited

U.S. PATENT DOCUMENTS

D211,033	S *	5/1968	Majesty et al.	D6/458
3,427,029	A *	2/1969	Riva	273/239
3,581,408	A *	6/1971	Mohier	434/258
3,609,606	A *	9/1971	Podesto	335/209
3,624,955	A *	12/1971	Matsubayashi et al.	446/117
D223,941	S *	6/1972	Parsons	D21/468
4,062,543	A	12/1977	Loeffler		
D259,581	S *	6/1981	Kretschmer	D21/404
D271,505	S *	11/1983	Honeycutt	D21/482
D309,165	S	7/1990	Kaplan et al.		
D315,374	S *	3/1991	Berggreen	D21/488
5,112,268	A	5/1992	Klaus		
5,133,684	A	7/1992	Rhodes et al.		
D333,495	S	2/1993	Klaus		
D346,764	S *	5/1994	Sellers	D11/164
D361,605	S	8/1995	Flemons		
D397,743	S *	9/1998	Chesler	D21/548
6,203,398	B1 *	3/2001	Lin	446/489
D451,969	S *	12/2001	Chesler	D21/468
D622,764	S	8/2010	Halbur et al.		
D659,766	S *	5/2012	Fuchs	D21/337
2004/0185949	A1 *	9/2004	Bromley	472/135
2009/0111351	A1 *	4/2009	Krochak et al.	446/137
2011/0136404	A1	6/2011	Silverglate et al.		

OTHER PUBLICATIONS

“Children’s Educational Mouse Family Maze Wooden Beads Toy Set,” printed from www.dinodirect.com/wooden-beads-toy-mouse-family-maze-childrens-educational.html?cur=USD&AFFID=11 &DinoDirect on Jan. 24, 2012 (4 pages).
 “Circle of Fun by Anatex,” printed from www.amazon.com in Jan. 2012 (6 pages).
 “Circus Wire & Bead Toy,” printed from www.sensoryedge.com/circus-wire-bead-toy.html on Jan. 24, 2012 (2 pages).

“Everearth Busy Pond Activity Center,” printed from www.toysrus.com in Nov. 2011 (4 pages).
 “City Beads Urban Themed Wired Bead Maze by Wonderworld,” publicly available from www.woodentoddlertoys.com at least as early as 2011 (4 pages).
 Photograph of Imaginarium Wooden School Bus Shape Sorter and Bead Maze available publicly for sale at least as early as Nov. 2011 (1 page).
 “Loopty Loo Wood Bead Maze Toy,” printed from www.onestepahead.com/catalog/product.jsp?productId=53819...rderType=none&utm_source=none&utm_medium=none&utm_campaign=none in Jun. 2012 (2 pages).
 “Melissa & Doug Multi-Activity Bead Maze,” printed from www.amazon.com in Nov. 2011 (1 page).
 “Numerical Shape Sorter,” available from www.gamtrek.ca/index.php?main_page=product_info&cPath=3_118&products_id=1823 as early as 2009 (2 pages).
 “Space Shuttle Rollercoaster Play Table,” www.sensoryedge.com/space-shuttler-rollercoaster-table.html available at least as early as Jan. 5, 2011 per www.internetarchive.org (2 pages).
 “Submarine Rollercoaster Bead Table,” www.sensoryedge.com/anatex-submarine-play-table.html available at least as early as Jan. 5, 2011 per www.internetarchive.org (2 pages).
 “Submarine Wall Panel Toy,” www.sensoryedge.com/submarine-wall-panel-toy.html#topofpage available at least as early as Jan. 6, 2011 per www.internetarchive.org (2 pages).
 “EverEarth Eco-Friendly Amazon Bead Fun,” printed from www.target.com in Jan. 2012 (3 pages).
 “Traffic Jam Rollercoaster Bead Table,” printed from www.sensoryedge.com/traffic-jam-rollercoaster-bead-table.html in Jan. 2012 (2 pages).
 “Zany Zoo,” printed from www.amazon.com in Nov. 2011 (2 pages).
 Office Action from Canadian Patent Application No. 148470, mailed Sep. 10, 2013 (1 page).

* cited by examiner

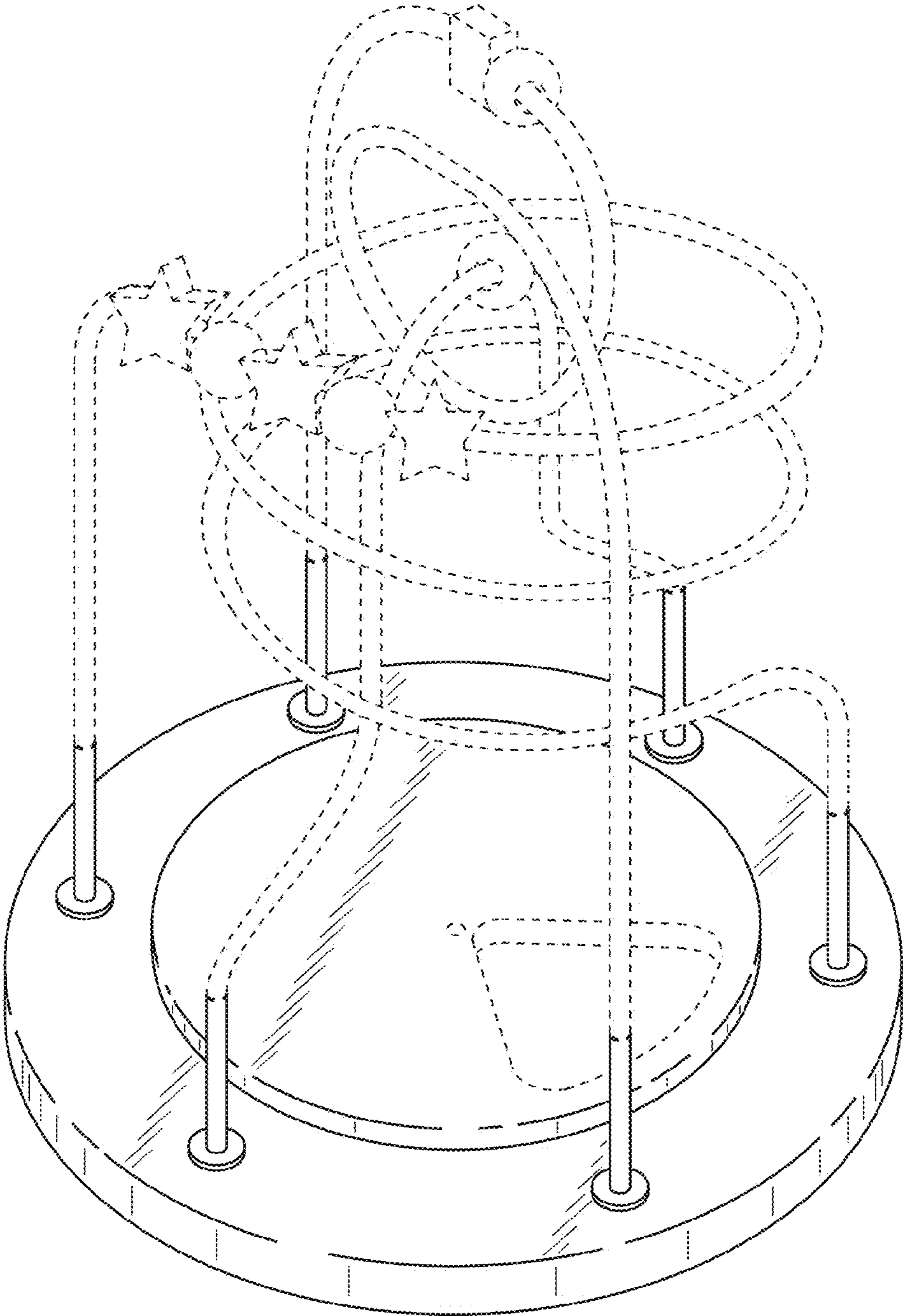


FIG. 1

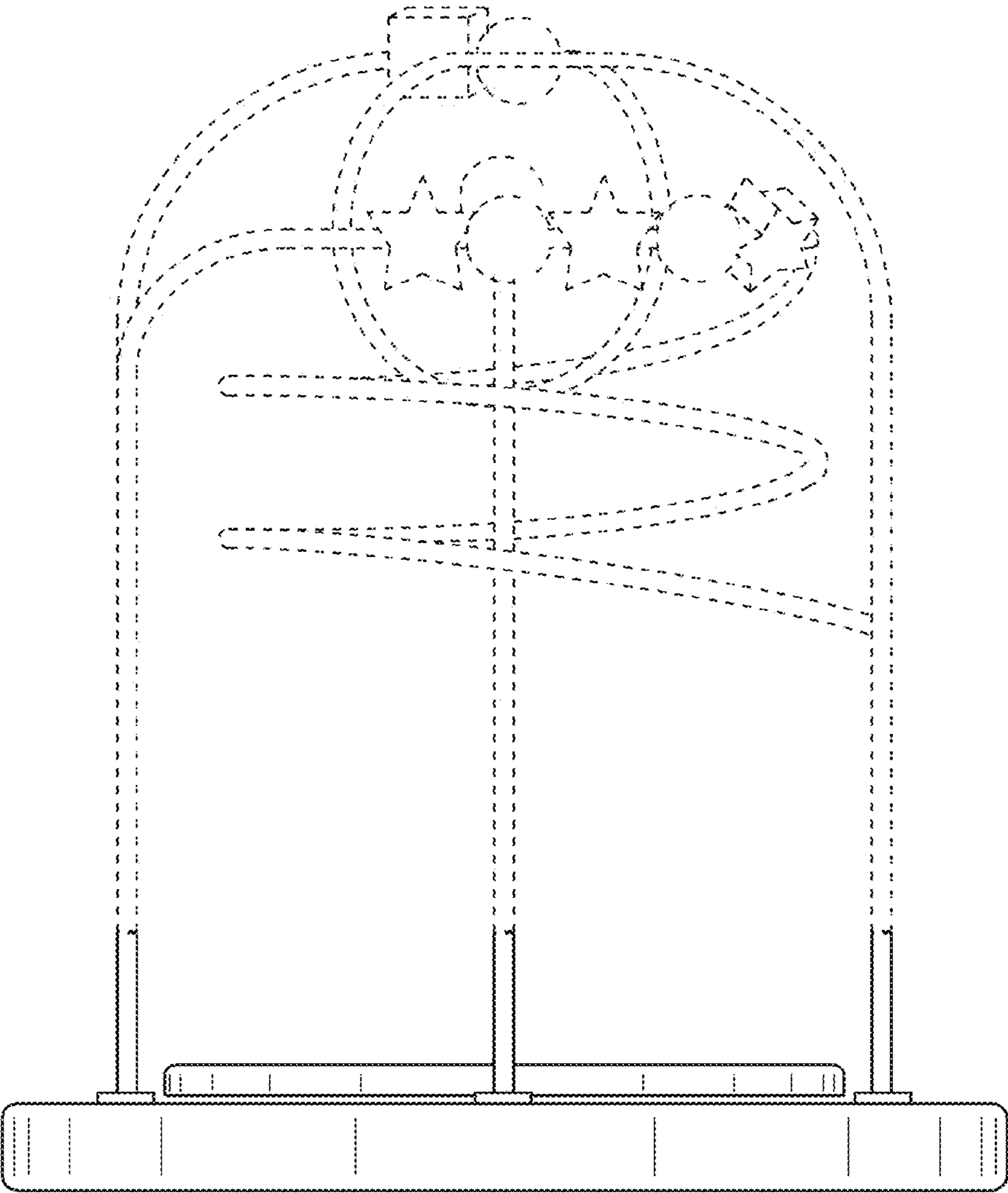


FIG. 2

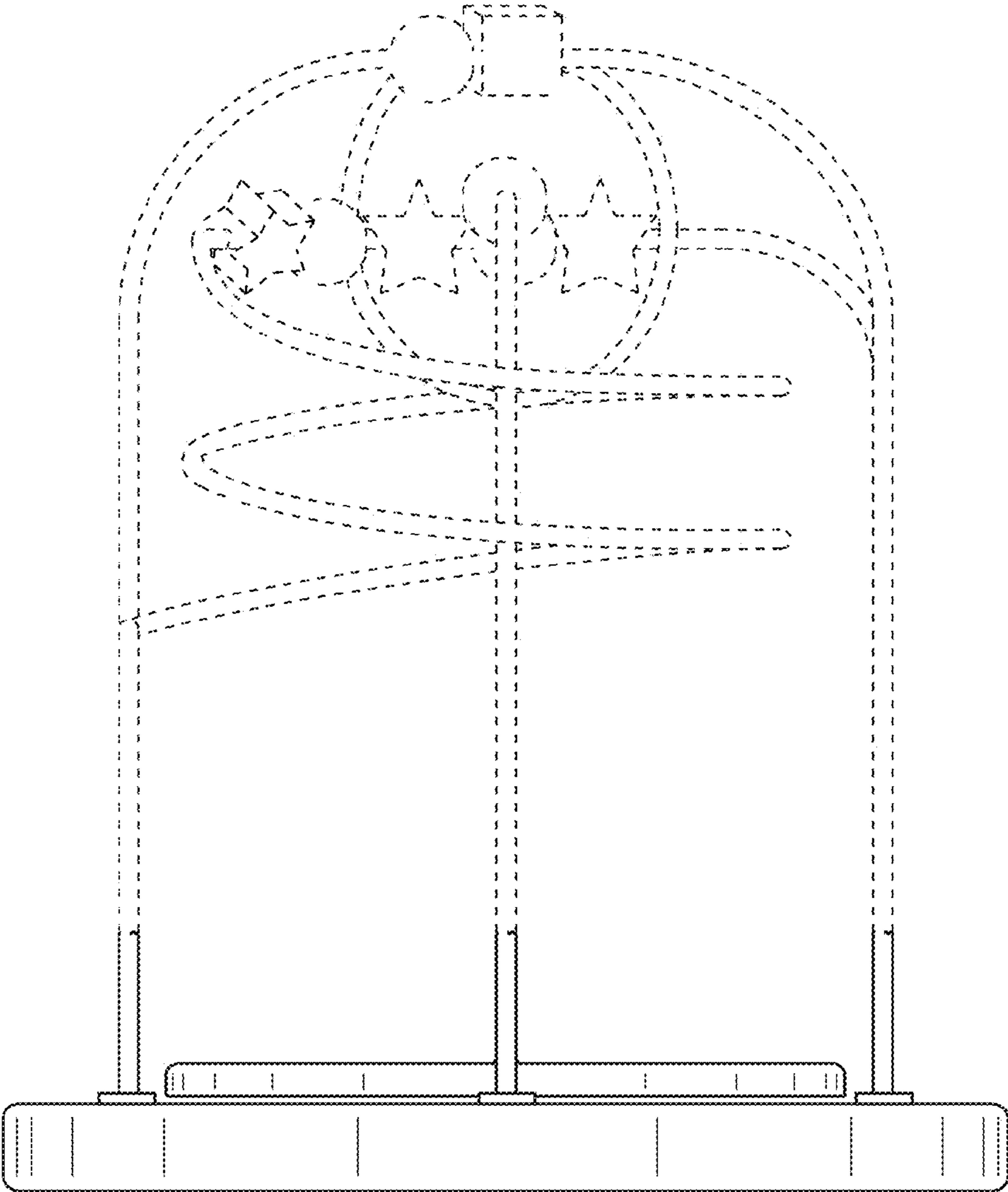


FIG. 3

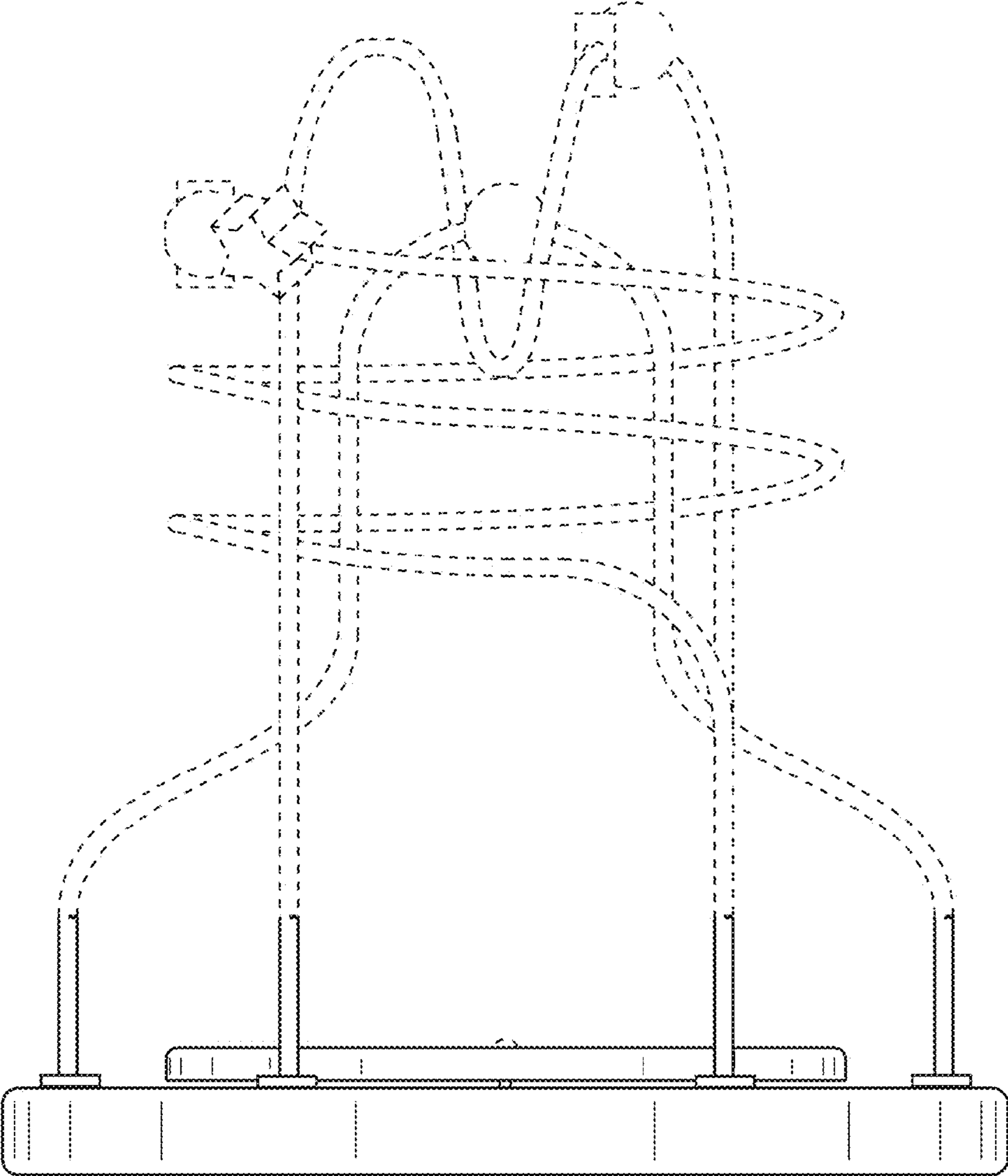


FIG. 4

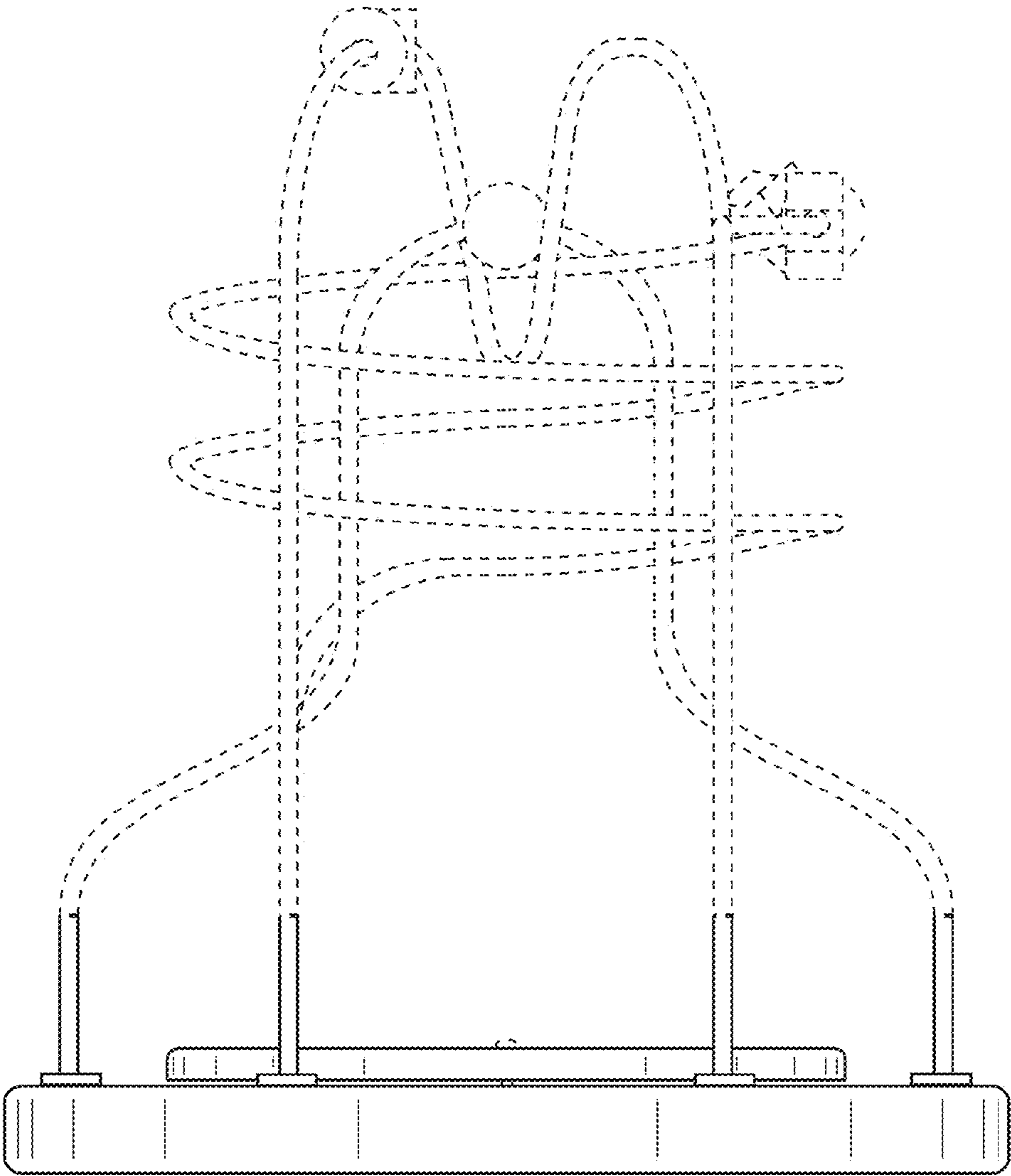


FIG. 5

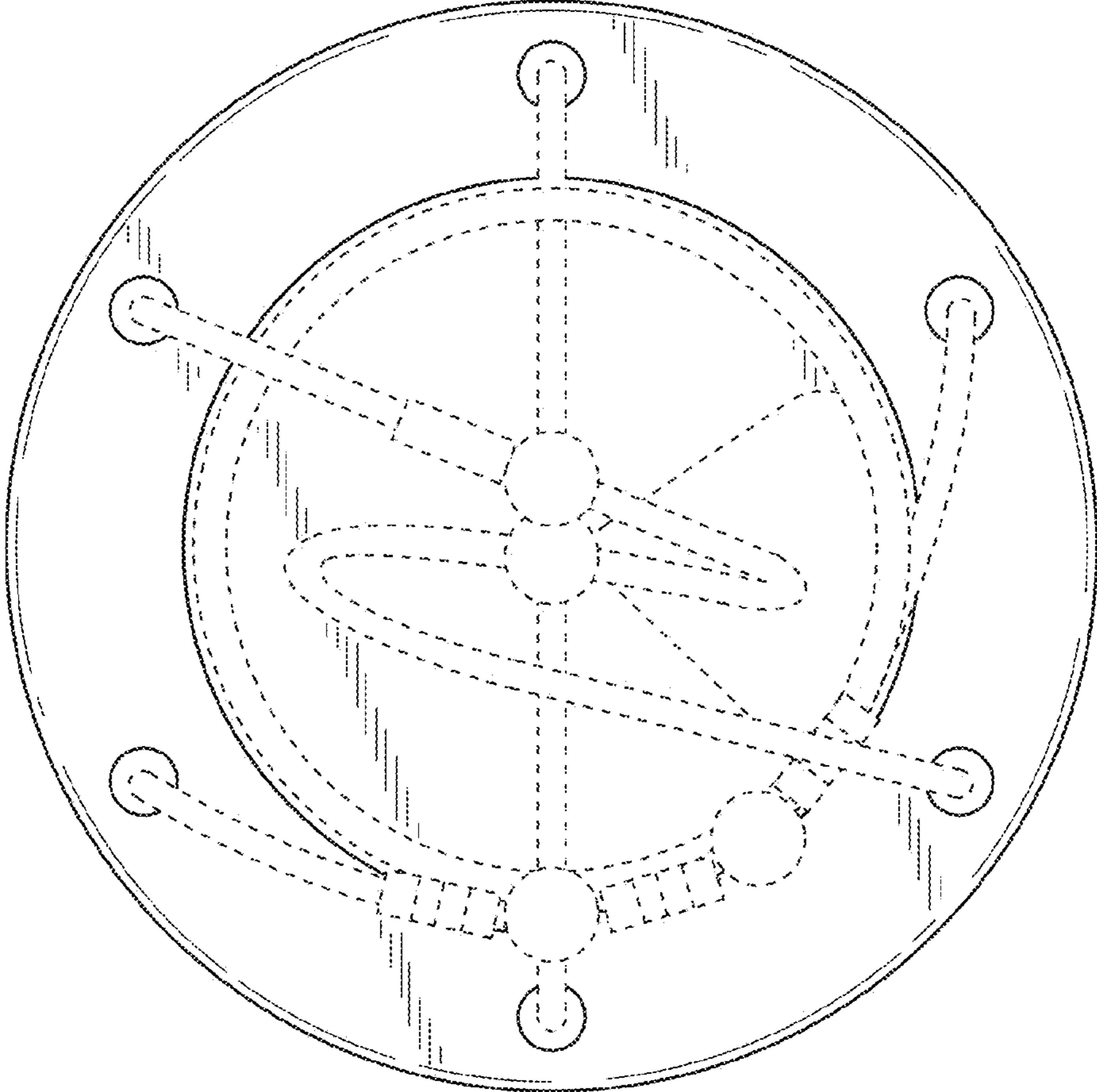


FIG. 6

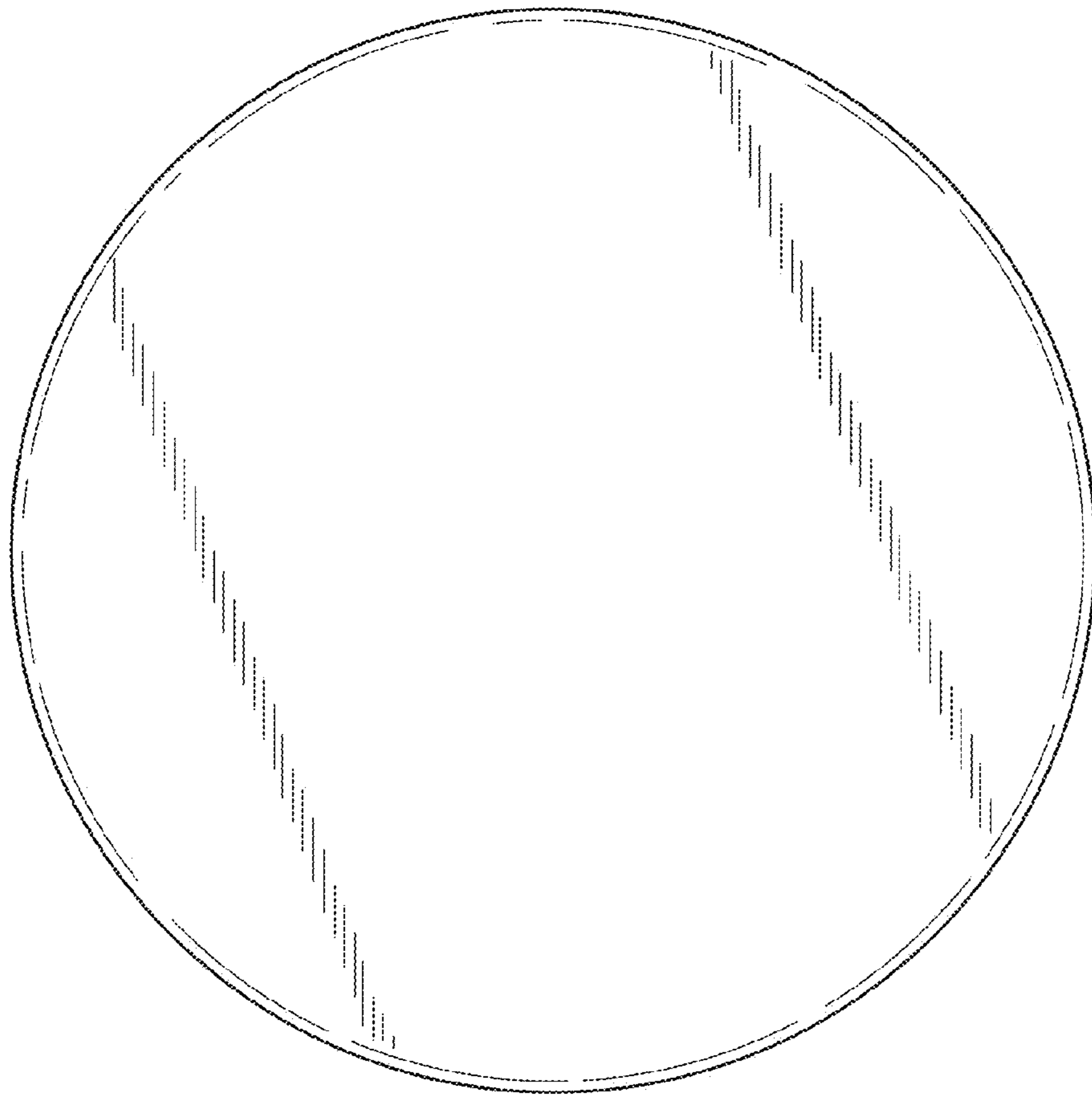


FIG. 7