



US00D719218S

(12) **United States Design Patent**
Costas

(10) **Patent No.:** **US D719,218 S**
(45) **Date of Patent:** **** Dec. 9, 2014**

(54) **NOTE HOLDER**

(71) Applicant: **Trophius Pty Ltd.**, Mascot, New South Wales (AU)

(72) Inventor: **Eric Costas**, Mascot (AU)

(73) Assignee: **Trophius Pty Ltd.**, Mascot (AU)

(**) Term: **14 Years**

(21) Appl. No.: **29/484,107**

(22) Filed: **Mar. 6, 2014**

(51) **LOC (10) Cl.** **19-02**

(52) **U.S. Cl.**
USPC **D19/86**

(58) **Field of Classification Search**
USPC D8/394, 395; D19/75, 86, 87, 90, 91,
D19/92; D20/43; 40/341, 658; 206/39.5,
206/215, 494, 555; 211/45, 48, 50, 89.01
See application file for complete search history.

(56) **References Cited**

U.S. PATENT DOCUMENTS

D26,461	S	*	12/1896	Sassenhoff	D20/43
819,504	A	*	5/1906	Benedict	24/67.9
1,618,384	A	*	2/1927	Morris	24/570
1,730,241	A	*	10/1929	Porter	40/652
1,973,989	A	*	9/1934	Lukacs	40/360
D118,748	S	*	1/1940	Sprague	D27/174
2,468,355	A	*	4/1949	Ambler	402/15
D159,576	S	*	8/1950	Bamford	D19/65
2,779,114	A	*	1/1957	Orthwine	40/658
2,779,650	A	*	1/1957	Lamothe	312/246
D218,874	S	*	9/1970	Whittaker	D19/91
3,604,727	A	*	9/1971	Wilkin	281/42
4,528,800	A	*	7/1985	Burns	53/492
D316,275	S	*	4/1991	Davis et al.	D19/91
D318,625	S	*	7/1991	Stowell	D10/31

(Continued)

FOREIGN PATENT DOCUMENTS

AU	346443	1/2013
AU	346543	1/2013

OTHER PUBLICATIONS

<http://www.officedepot.com/a/products/352108/office-Depot-Brand-4-Piece-Stainless/>, Office Depot Brand 4 Piece Stainless Steel Magnet Hook Set Assorted Shapes, 1 color sheet, date unknown, but prior to the filing of this application.

Primary Examiner — Elizabeth Albert

(74) *Attorney, Agent, or Firm* — Banner, Witcoff, Ltd.

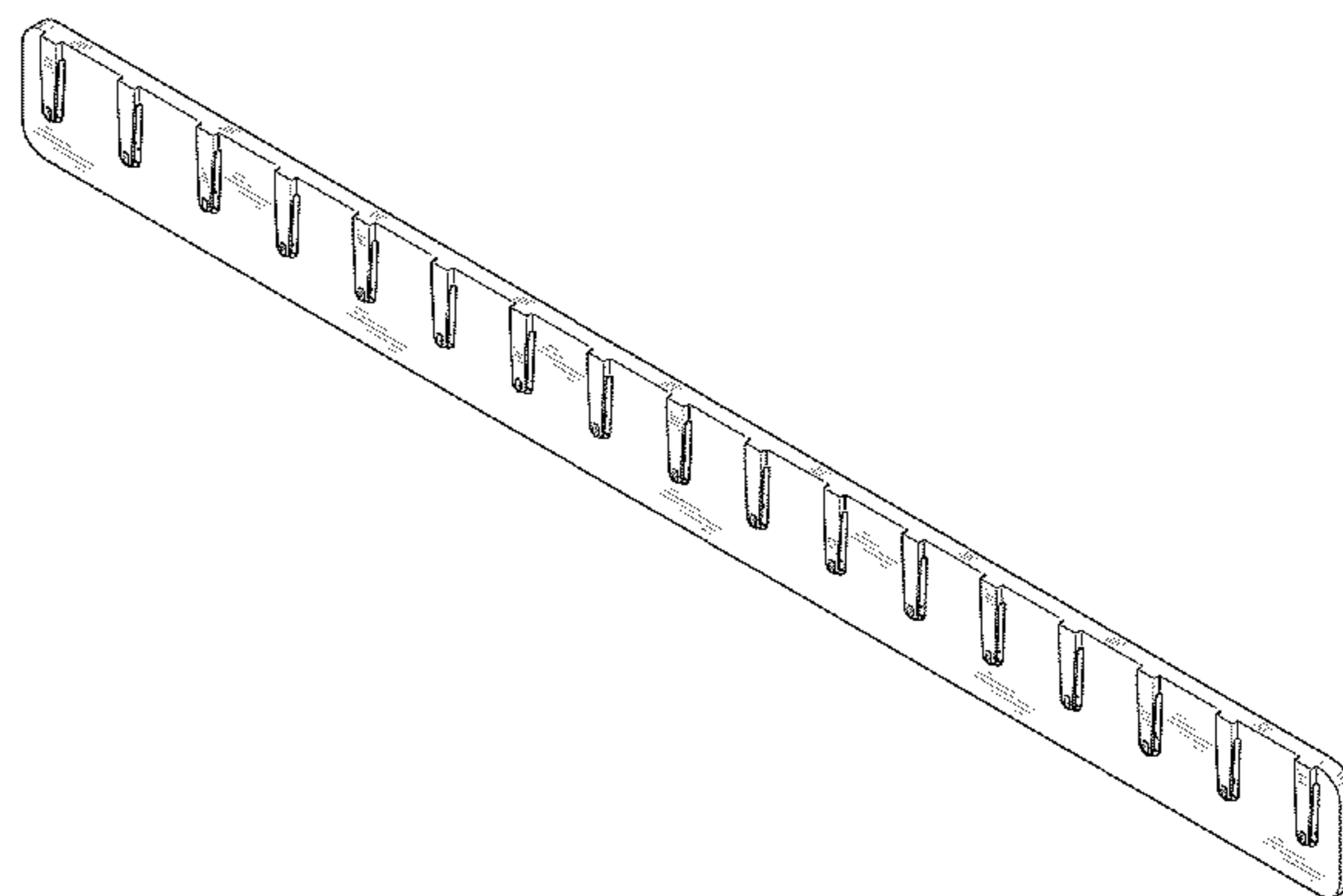
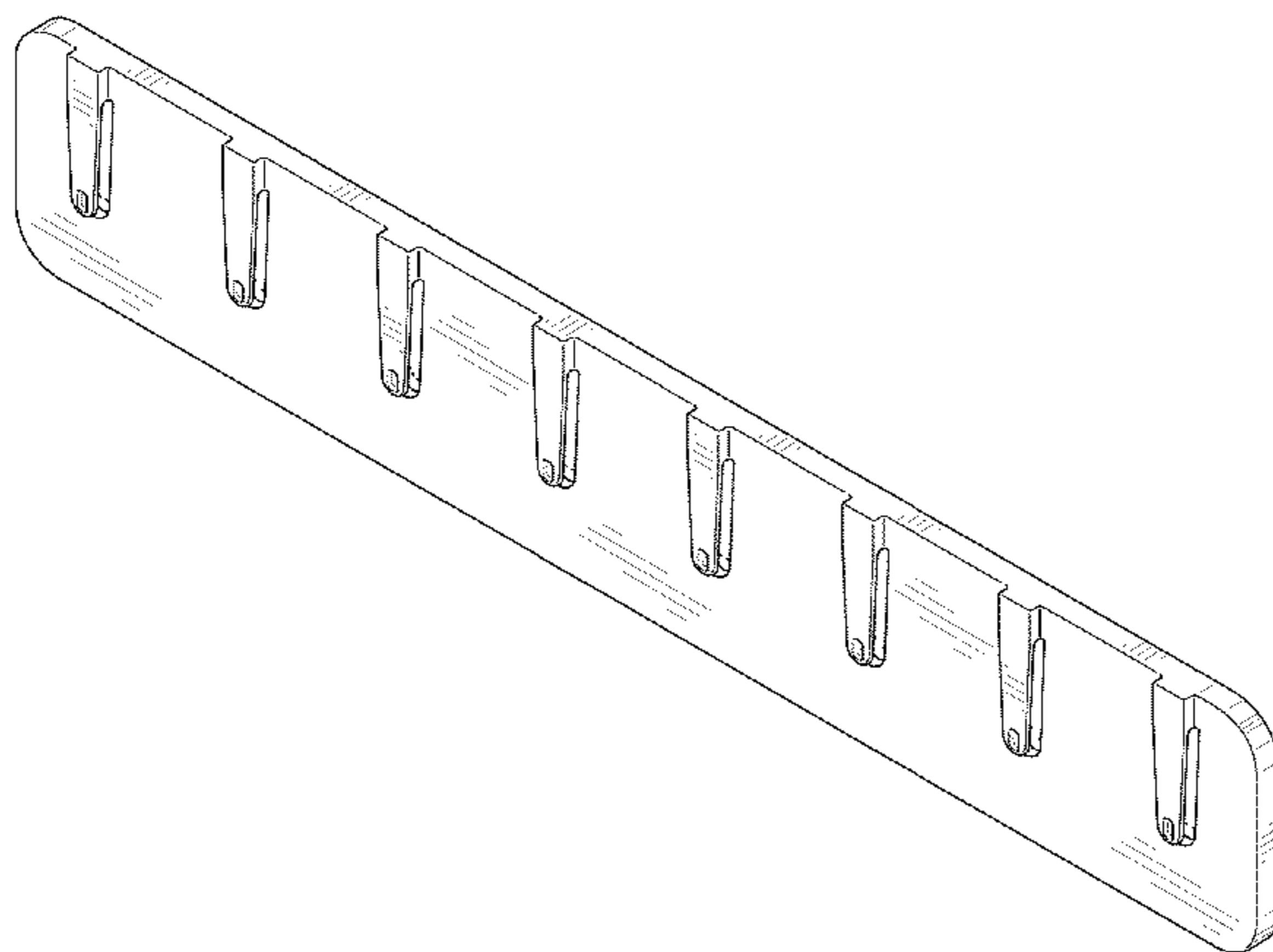
(57) **CLAIM**

The ornamental design for a note holder, as shown and described.

DESCRIPTION

FIG. 1 is a perspective view of a note holder showing my new design;
FIG. 2 is a front view thereof;
FIG. 3 is a top view thereof;
FIG. 4 is a bottom view thereof;
FIG. 5 is a right side view thereof;
FIG. 6 is a left side view thereof;
FIG. 7 is a perspective view of a second embodiment of a note holder showing my new design;
FIG. 8 is a front view thereof;
FIG. 9 is a top view thereof;
FIG. 10 is a bottom view thereof;
FIG. 11 is a right side view thereof;
FIG. 12 is a left side view thereof;
FIG. 13 is a perspective view of a third embodiment of a note holder showing my new design;
FIG. 14 is a front view thereof;
FIG. 15 is a top view thereof;
FIG. 16 is a bottom view thereof;
FIG. 17 is a right side view thereof; and,
FIG. 18 is a left side view thereof.

1 Claim, 6 Drawing Sheets



(56)

References Cited

U.S. PATENT DOCUMENTS

5,214,825 A * 6/1993 Hirzel 24/67.9
5,339,967 A * 8/1994 Valiulis 211/57.1
5,975,478 A * 11/1999 Marino 248/442.2
D445,457 S * 7/2001 Brumby D19/91

D451,134 S * 11/2001 Fonfeder D19/27
7,100,884 B2 * 9/2006 Lorber 248/453
D645,515 S * 9/2011 Williams, Sr. D19/86
8,510,916 B2 * 8/2013 Kinvi 24/3.12
2013/0200228 A1 8/2013 Costas

* cited by examiner

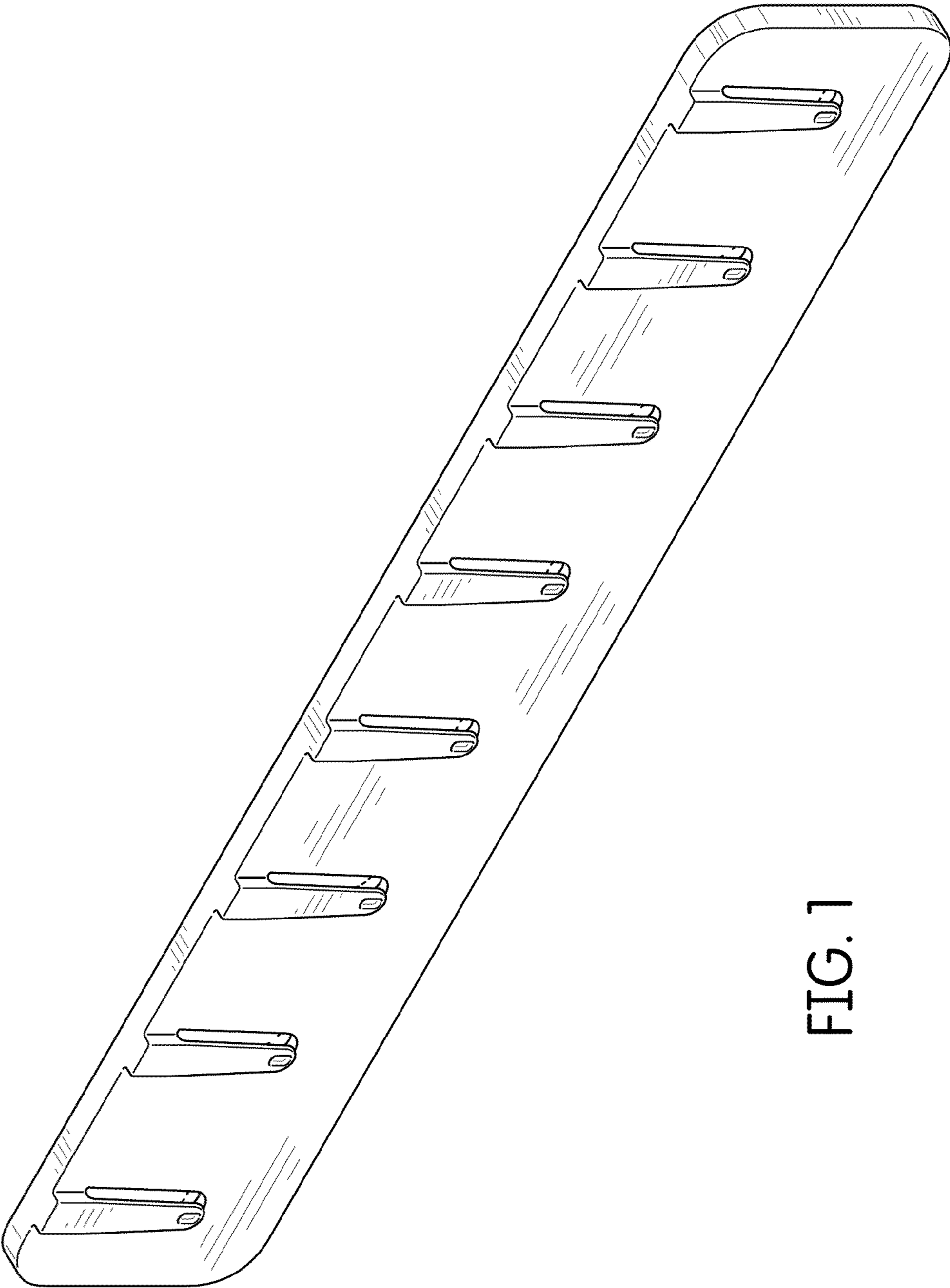


FIG. 1

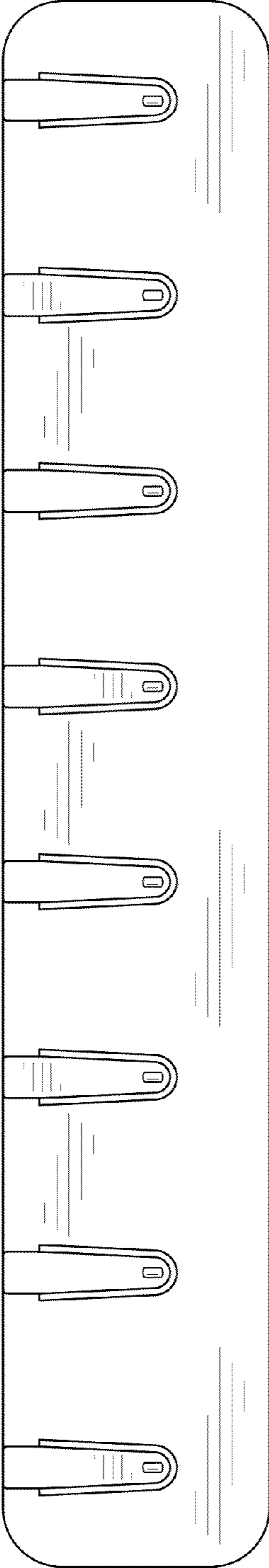


FIG. 2



FIG. 3



FIG. 4

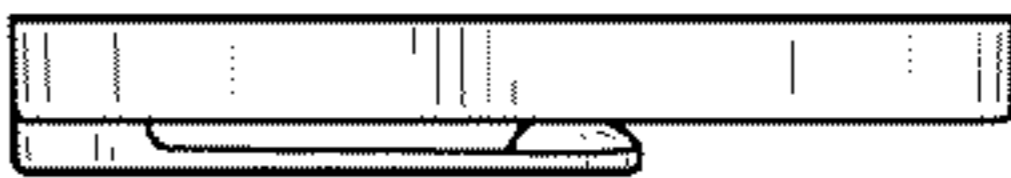


FIG. 5



FIG. 6

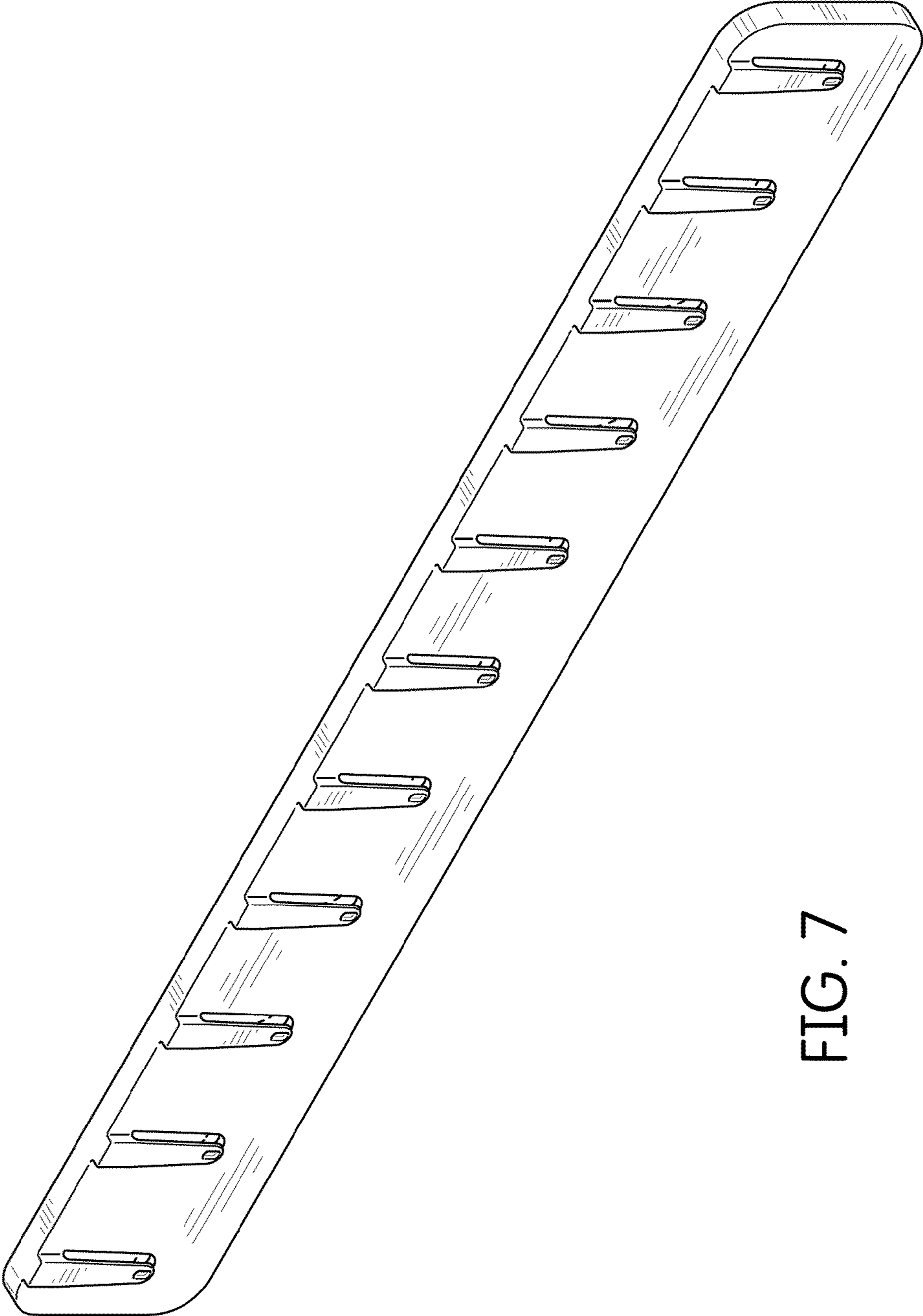


FIG. 7

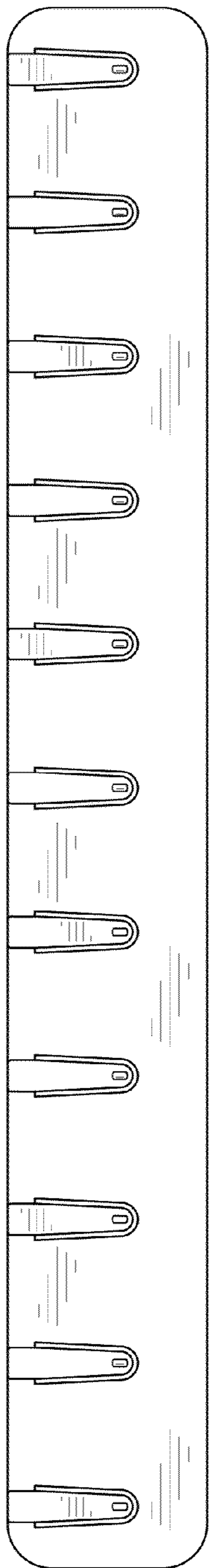


FIG. 8



FIG. 9



FIG. 10



FIG. 11

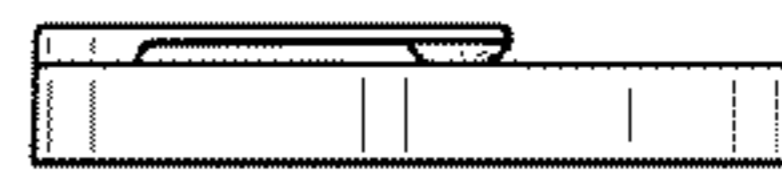


FIG. 12

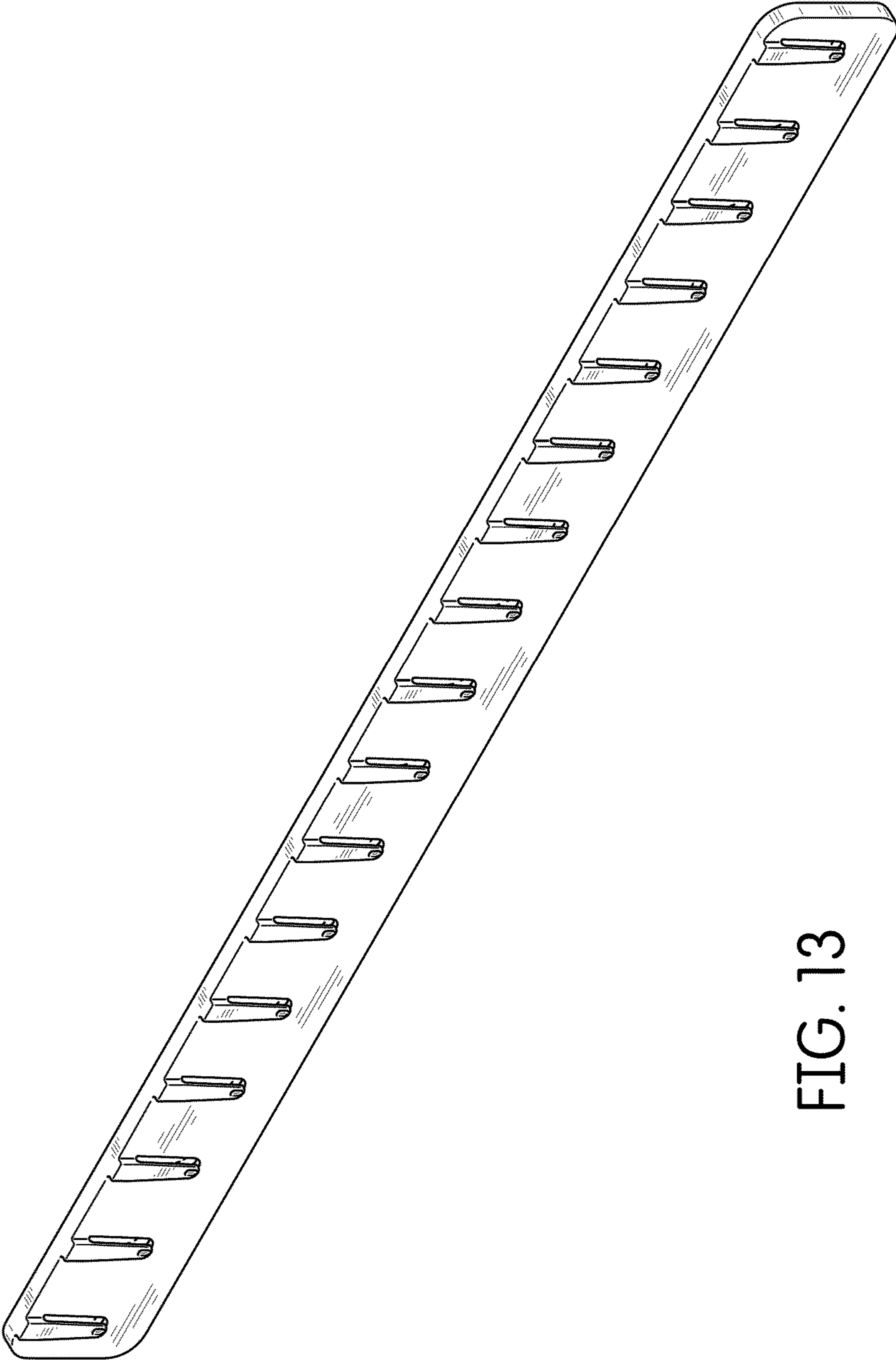


FIG. 13

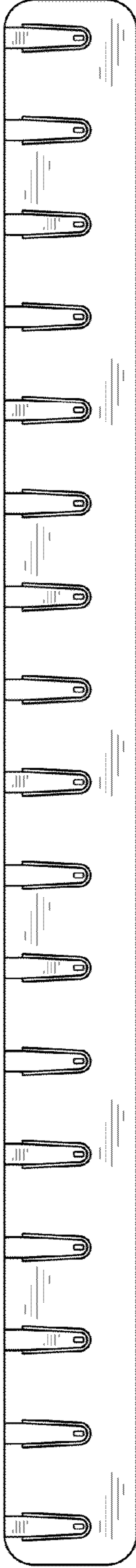


FIG. 14



FIG. 15



FIG. 16



FIG. 17



FIG. 18