



US00D719216S

(12) **United States Design Patent**
Jansen et al.

(10) **Patent No.:** **US D719,216 S**
(45) **Date of Patent:** **** Dec. 9, 2014**

(54) **PILL POCKET BINDER SHEET**

(76) Inventors: **Kathy Yvette Jansen**, Lynden, WA (US); **Robin Marie Grangruth**, Menifee, CA (US); **Karen Renee Blankenforth**, Lynden, WA (US)

(**) Term: **14 Years**

(21) Appl. No.: **29/414,961**

(22) Filed: **Mar. 6, 2012**

(51) **LOC (10) Cl.** **19-04**

(52) **U.S. Cl.**
USPC **D19/33; D3/203.3**

(58) **Field of Classification Search**
CPC A61J 1/00; A61J 1/03; A61J 7/0069; A61J 7/0076
USPC D3/201, 203.1, 203.2, 203.3, 304, 318, D3/319, 901; D9/702, 711, 499; D19/26, D19/27, 32, 33, 100, 102, 103; 206/6.1, 206/348, 527, 528, 535, 538
See application file for complete search history.

(56) **References Cited**

U.S. PATENT DOCUMENTS

D227,552 S *	7/1973	Bridges	D3/203.3
D257,584 S *	12/1980	Finkel	D9/423
D281,145 S *	10/1985	Moe	D3/203.3
D342,892 S *	1/1994	Teerds	D9/759
5,356,011 A *	10/1994	Romick	206/534
D396,154 S *	7/1998	Matthews	D6/470
D514,308 S *	2/2006	Wahl et al.	D3/203.2

7,494,012 B1 *	2/2009	Priebe et al.	206/538
2003/0042168 A1 *	3/2003	Priebe	206/538
2006/0086641 A1 *	4/2006	Priebe et al.	206/538
2007/0068960 A1 *	3/2007	Valentine et al.	221/25
2010/0314283 A1 *	12/2010	Noble et al.	206/534
2013/0233735 A1 *	9/2013	Hurley et al.	206/209

* cited by examiner

Primary Examiner — Ian Simmons

Assistant Examiner — Ieisha Price

(74) *Attorney, Agent, or Firm* — Eric A. Hanscom; Todd J. Langford

(57) **CLAIM**

The ornamental design for a pill pocket binder sheet, as shown and described.

DESCRIPTION

FIG. 1 is a front perspective view of a pill pocket binder sheet, showing our new design, showing how it appears with the insert portion inserted;

FIG. 2 is a back perspective view of a pill pocket binder sheet, showing our new design, with the insert portion inserted; thereof;

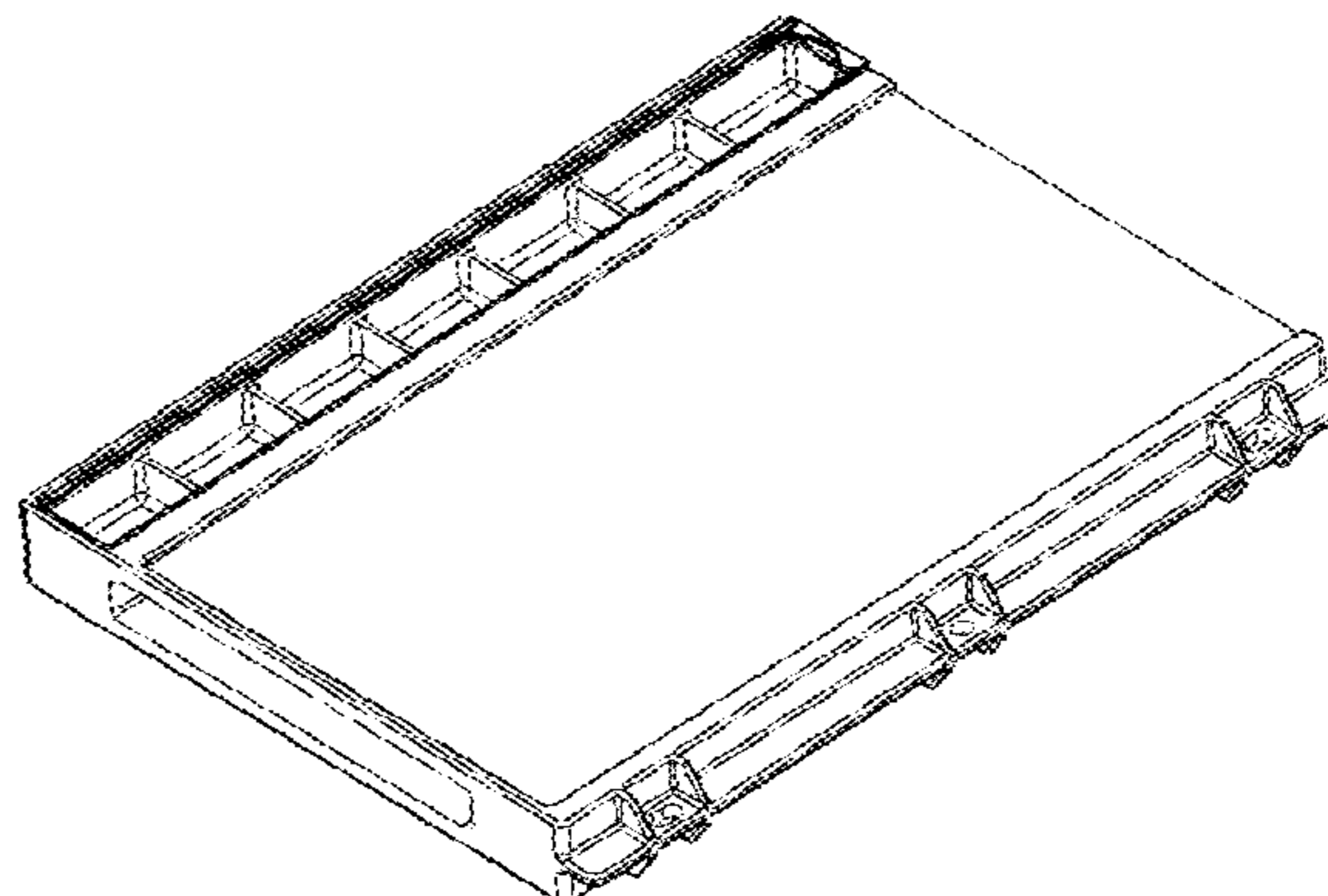
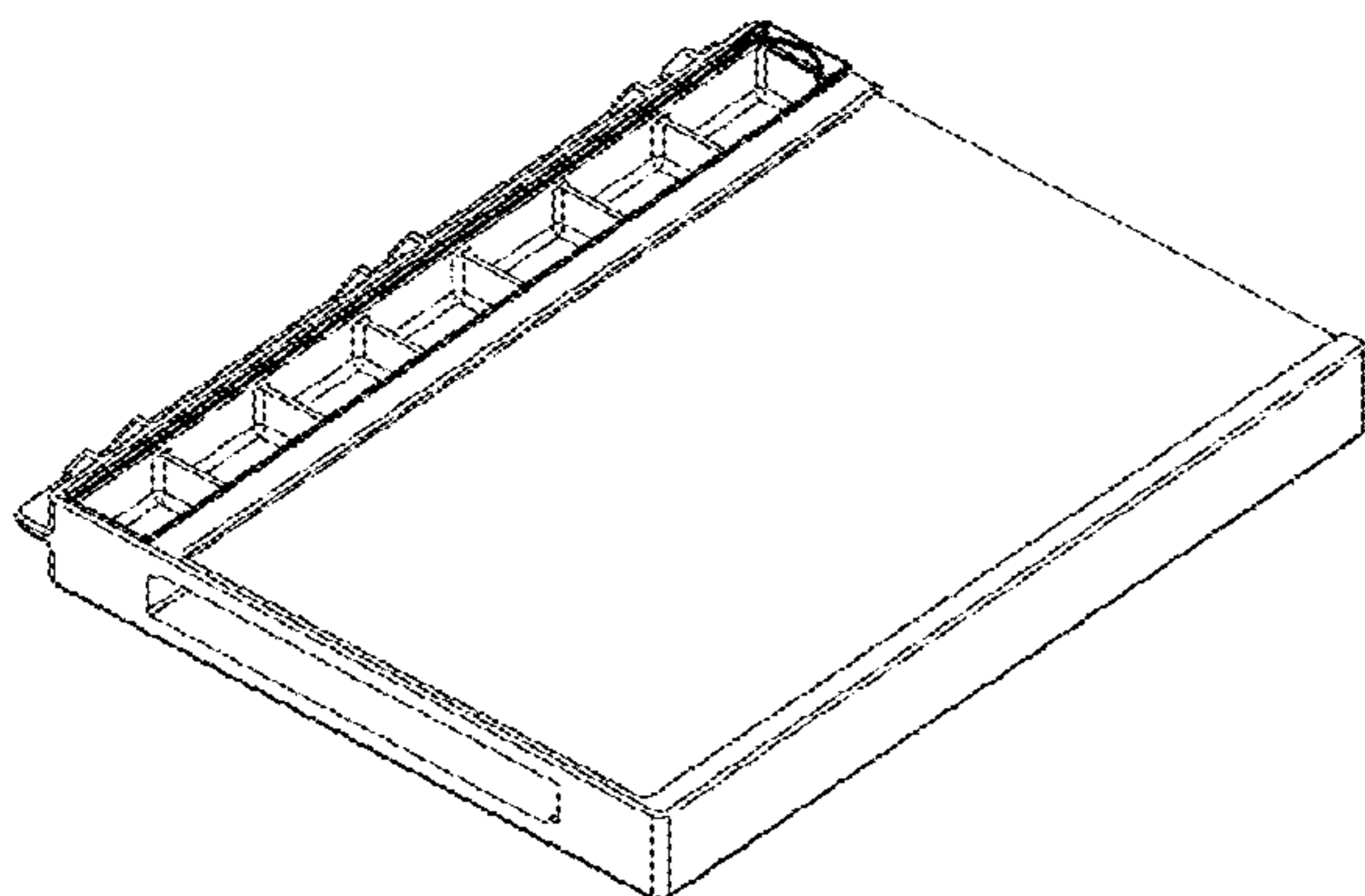
FIG. 3 is a top view thereof;

FIG. 4 is a bottom view thereof;

FIG. 5 is a front perspective view of a pill pocket binder sheet, showing our new design, showing how it appears with the insert portion partially removed thereof; and,

FIG. 6 is a back perspective view of a pill pocket binder sheet, showing our new design, with the insert portion partially removed.

1 Claim, 6 Drawing Sheets



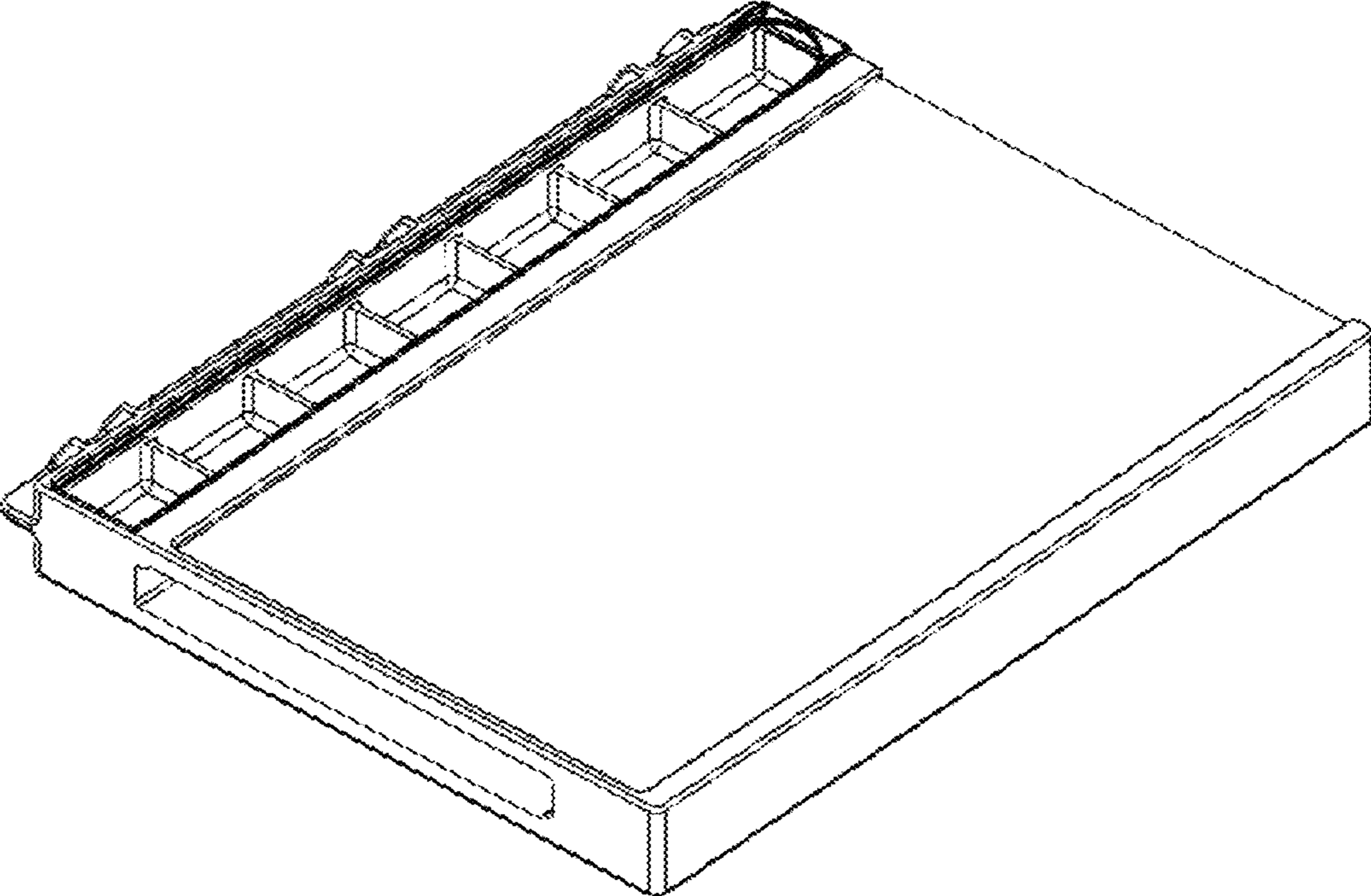


FIG. 1

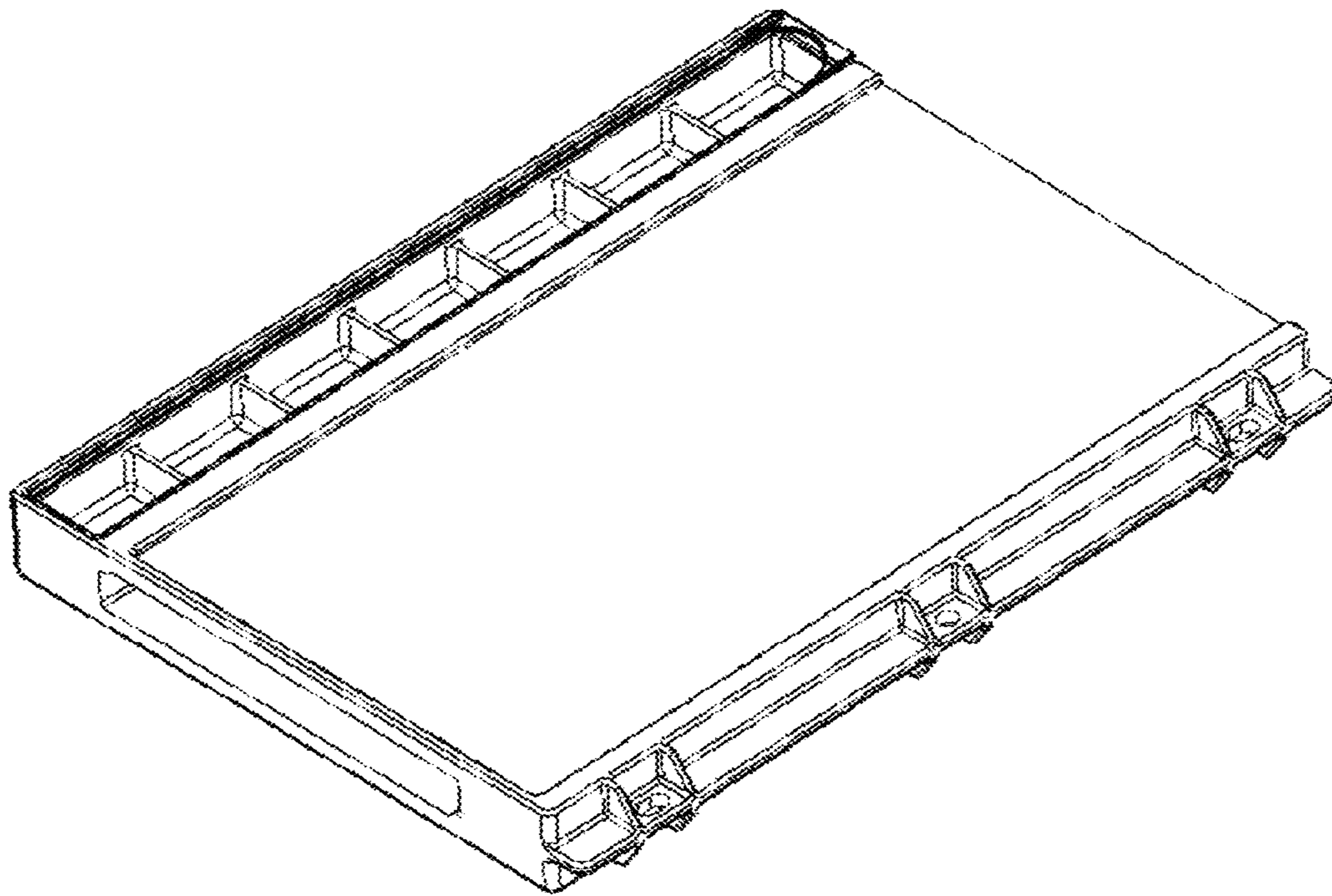


FIG. 2

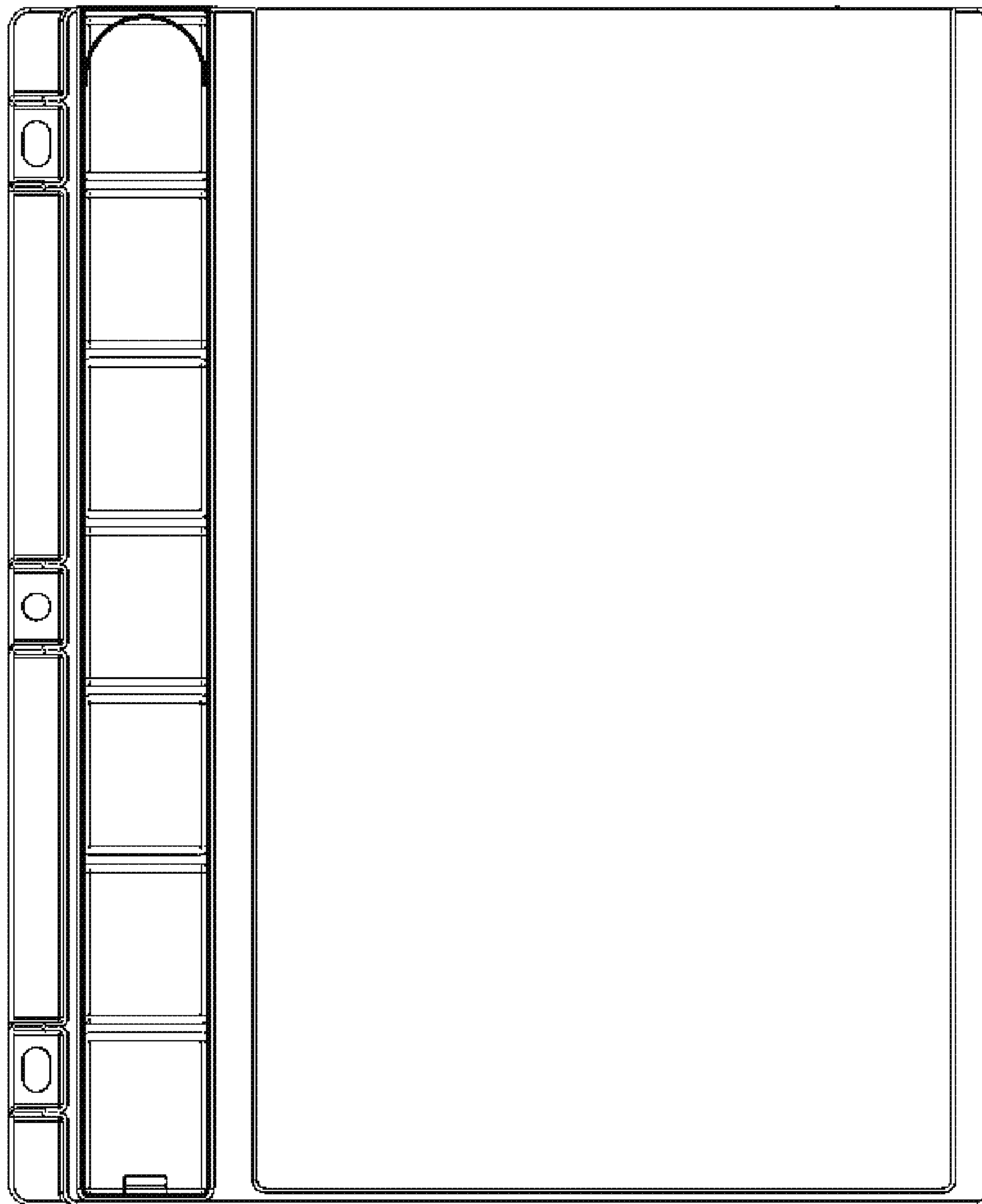


FIG. 3

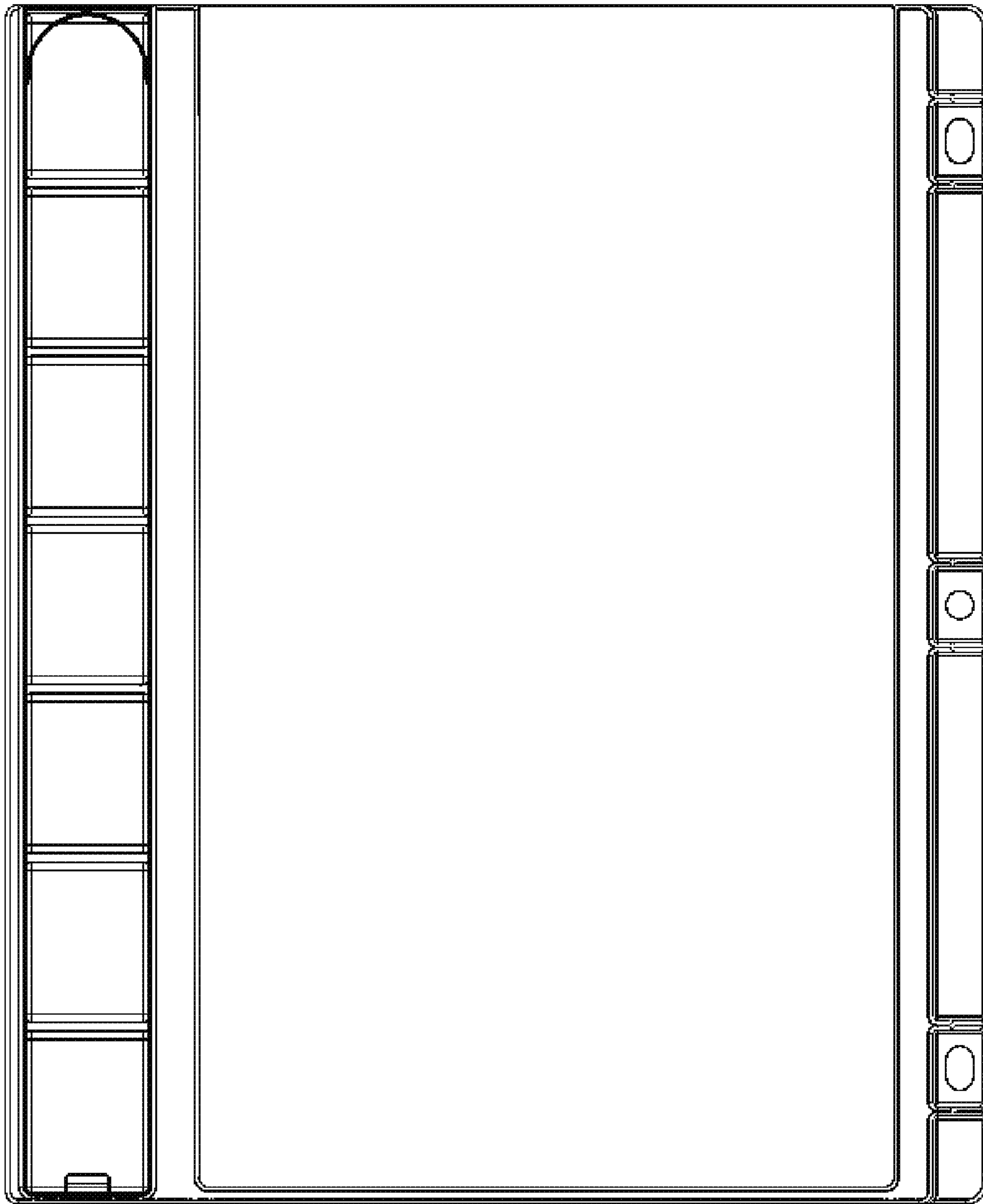


FIG. 4

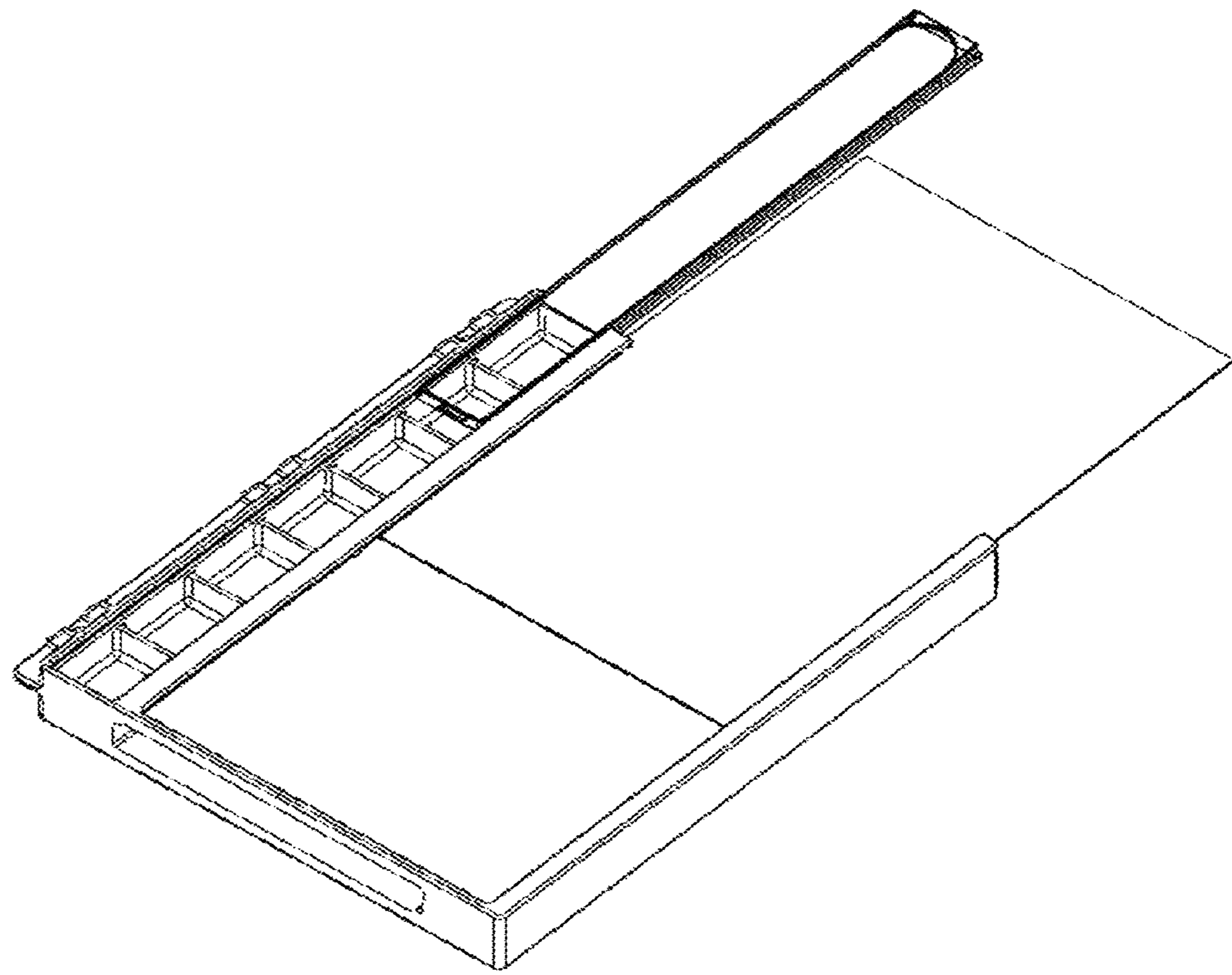


FIG. 5

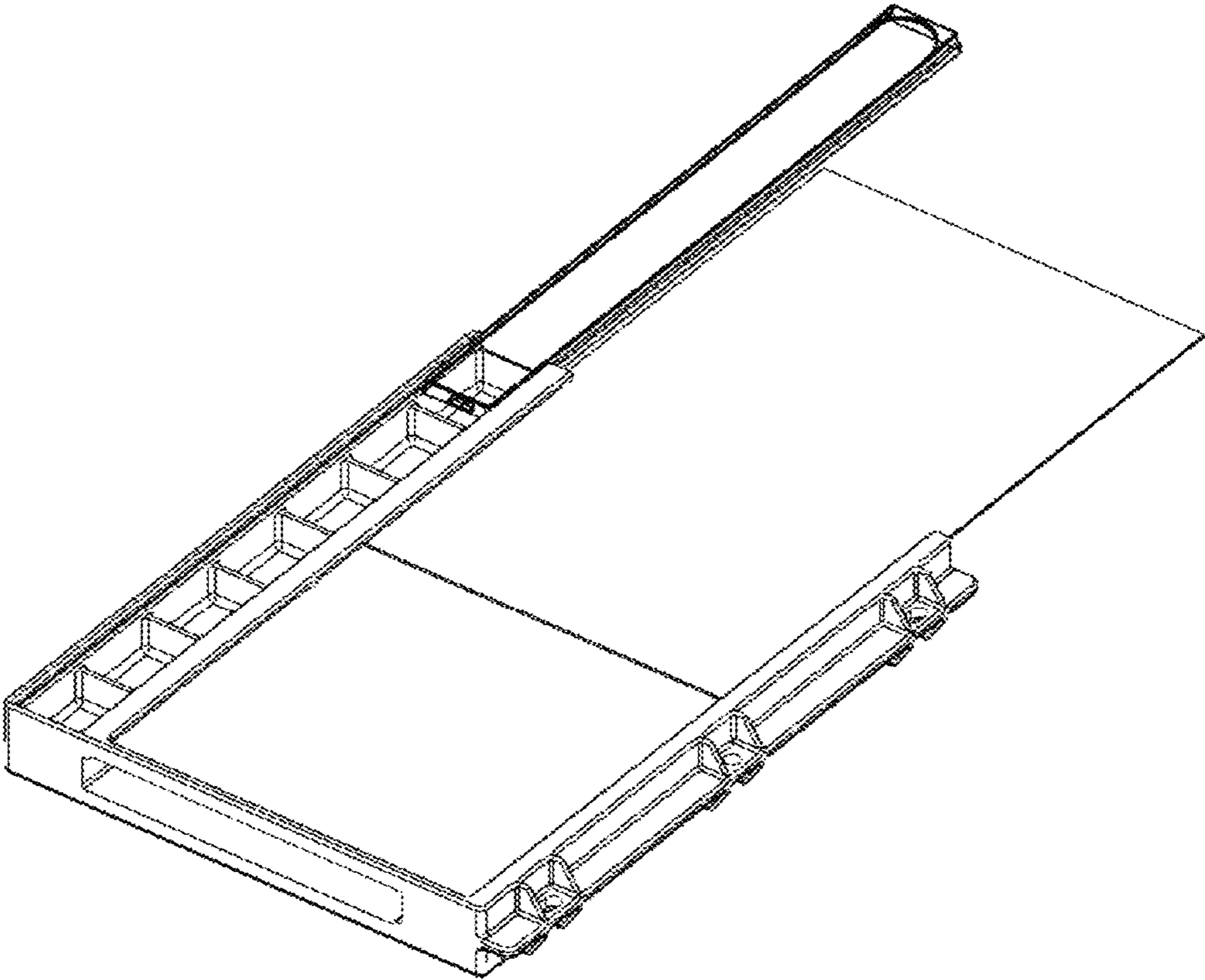


FIG. 6