



US00D719215S

(12) **United States Design Patent**
Kim et al.

(10) **Patent No.:** **US D719,215 S**

(45) **Date of Patent:** **** Dec. 9, 2014**

(54) **BINDER HINGE**

(75) Inventors: **Hyunchul Kim**, Chicago, IL (US);
Trevis R. Kurz, Chicago, IL (US)

(73) Assignee: **ACCO Brands Corporation**, Lake
Zurich, IL (US)

(**) Term: **14 Years**

(21) Appl. No.: **29/417,182**

(22) Filed: **Mar. 30, 2012**

(51) **LOC (10) Cl.** **19-04**

(52) **U.S. Cl.**
USPC **D19/32**

(58) **Field of Classification Search**
USPC D19/26, 27, 28, 32, 100, 199, 202, 203;
281/3.1, 4, 15.1, 21.1, 27.1, 28, 40, 42,
281/44, 45, 51; 402/1, 3, 5, 8, 13, 19, 26,
402/60, 61, 64, 68, 70, 73, 80 R; 462/64, 71,
462/72, 75, 76, 84

See application file for complete search history.

(56) **References Cited**

U.S. PATENT DOCUMENTS

4,435,464	A *	3/1984	Hulber et al.	428/167
4,856,817	A	8/1989	Moor	
D313,619	S	1/1991	Moor	
D319,659	S *	9/1991	Moor	D19/27
D319,660	S *	9/1991	Moor	D19/27
5,222,825	A	6/1993	Wyant	
D365,361	S *	12/1995	Smith et al.	D19/26
5,607,246	A	3/1997	Podosek	
5,711,627	A	1/1998	Chapman	
5,876,143	A *	3/1999	Ong	402/3
6,076,989	A *	6/2000	Pearce et al.	402/70
6,145,882	A	11/2000	Fu	
6,761,498	B1 *	7/2004	Harris et al.	402/73

8,647,008	B2 *	2/2014	Bowers et al.	402/73
2007/0086841	A1	4/2007	Merzon	
2012/0080876	A1 *	4/2012	Bowers et al.	281/36
2014/0126950	A1 *	5/2014	Loree et al.	402/70

OTHER PUBLICATIONS

Wilson Jones Heavy Duty Round Ring View Binder with Extra Durable Hinge, image review date Nov. 18, 2013, site visted Sep. 22, 2014 (online), http://www.amazon.com/Wilson-Jones-Durable-Chartreuse-W363-14-376/dp/B00CPXG1ZS/ref=sr_1_1?s=office-products&ie=UTF8&qid=1411417429&sr=1-1&keywords=binder+wilson+jones.*

* cited by examiner

Primary Examiner — Cathron Brooks

Assistant Examiner — Ieisha Price

(74) *Attorney, Agent, or Firm* — Michael Best & Friedrich LLP

(57) **CLAIM**

We claim the ornamental design for a binder hinge, as shown and described.

DESCRIPTION

FIG. 1 is a perspective view of the binder hinge embodying the present invention.

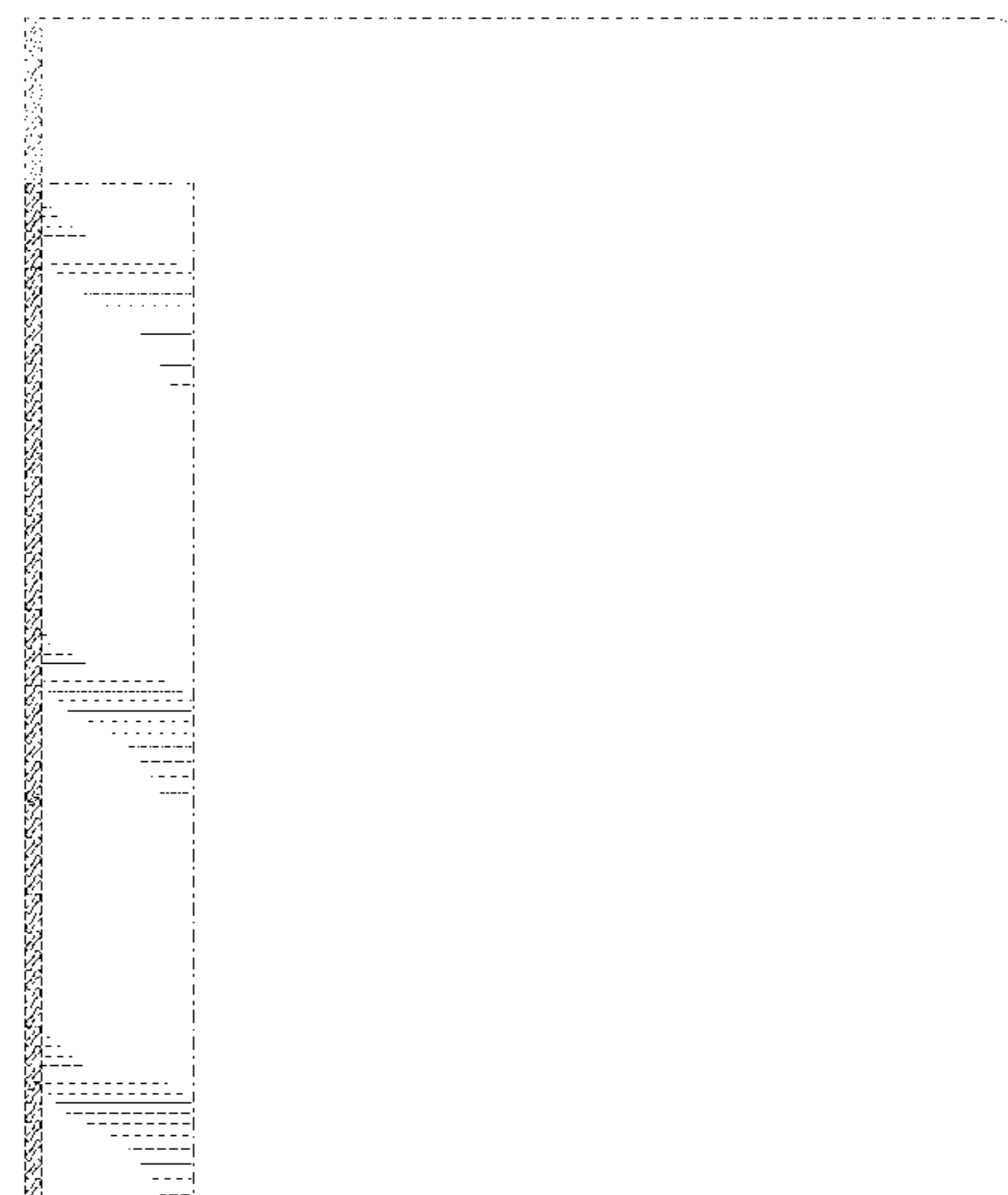
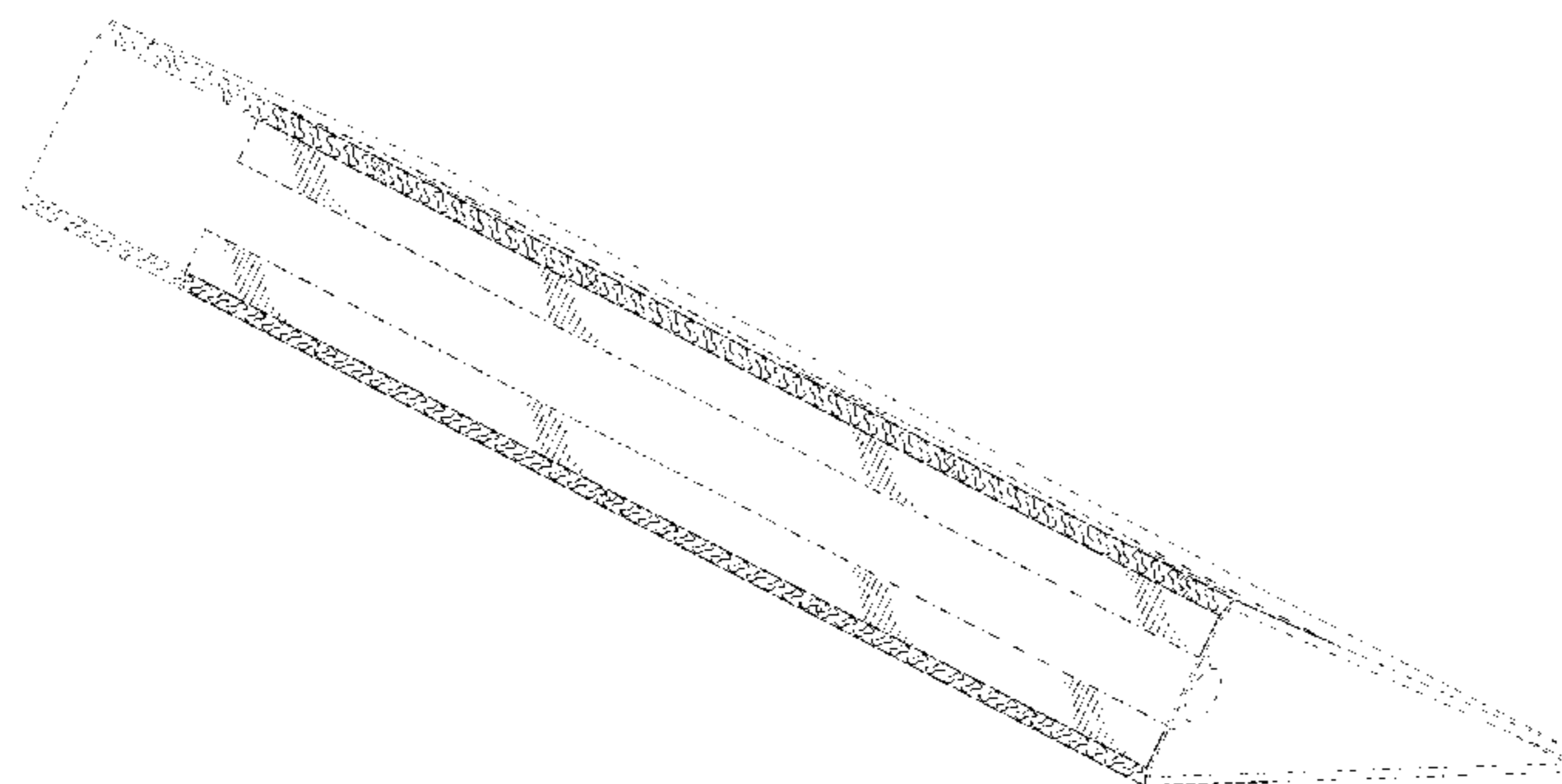
FIG. 2 is a rear view of the binder hinge of FIG. 1.

FIG. 3 is a side view of the binder hinge of FIG. 1; and,

FIG. 4 is an end view of the binder hinge of FIG. 1.

The portions of the binder shown in dot-dash-dot lines define the boundary of the claimed design and form no part of the claimed design. The portions of the binder shown in dashed lines illustrate environment and form no part of the claimed design. The side view opposite FIG. 3 is a mirror image of FIG. 3 and is not shown. The end view opposite FIG. 4 is a mirror image of FIG. 4 and is not shown.

1 Claim, 4 Drawing Sheets



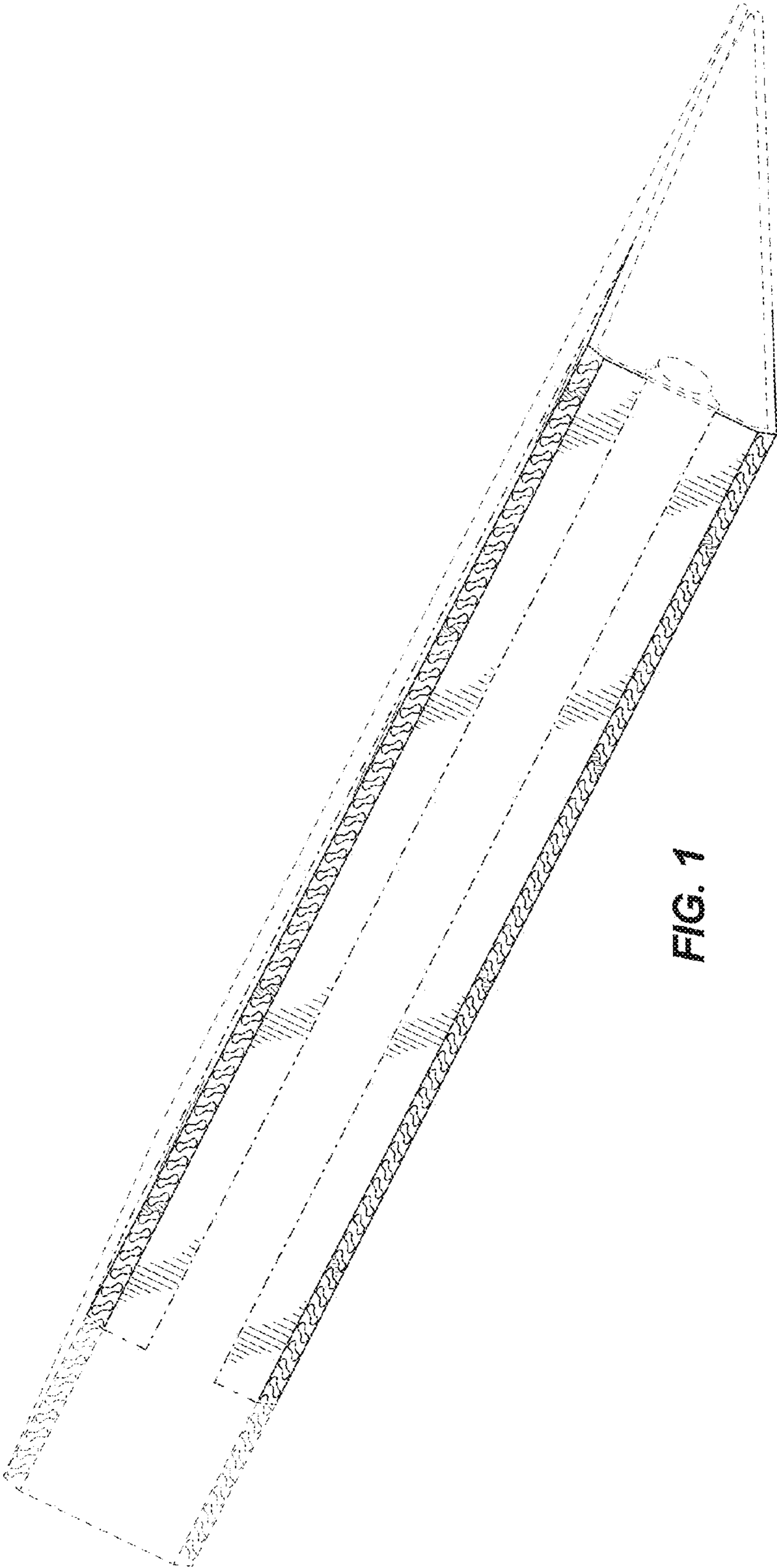


FIG. 1

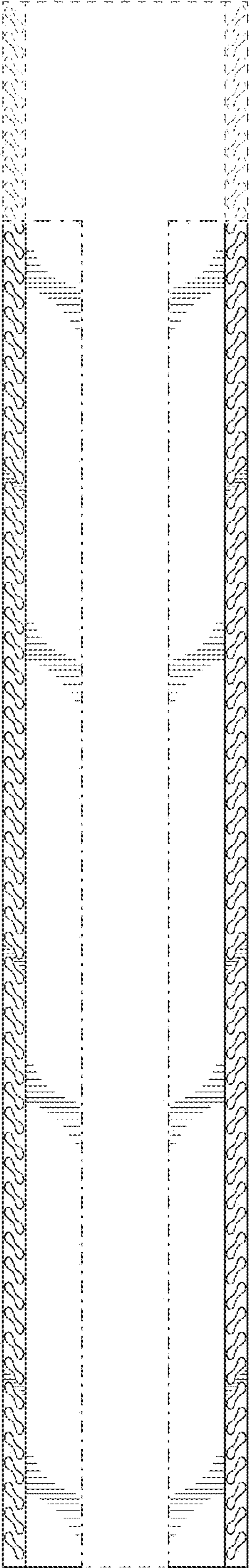


FIG. 2

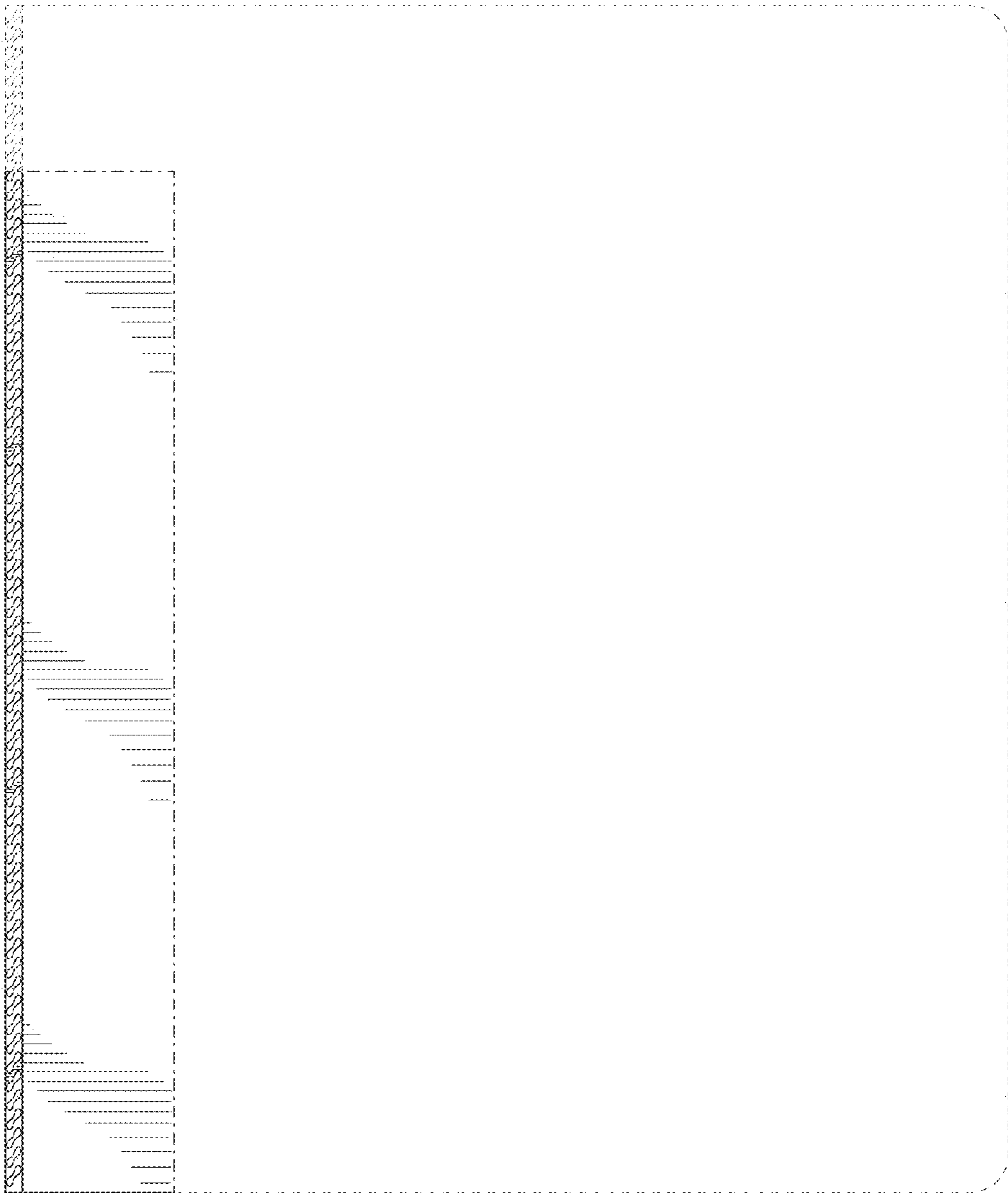


FIG. 3

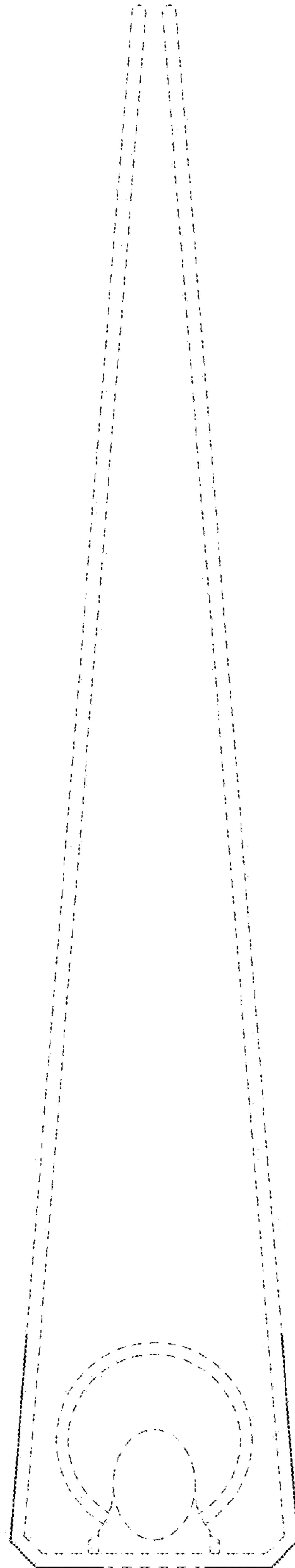


FIG. 4