



US00D719214S

(12) **United States Design Patent**
Klosky

(10) **Patent No.:** **US D719,214 S**
(45) **Date of Patent:** **** *Dec. 9, 2014**

- (54) **FOLDER**
- (71) Applicant: **Ideastream Consumer Products, LLC**,
Cleveland, OH (US)
- (72) Inventor: **Eric Fitzgerald Klosky**, Chagrin Falls,
OH (US)
- (73) Assignee: **Ideastream Consumer Products, LLC**,
Cleveland, OH (US)
- (*) Notice: This patent is subject to a terminal dis-
claimer.
- (**) Term: **14 Years**
- (21) Appl. No.: **29/462,107**
- (22) Filed: **Jul. 31, 2013**

Related U.S. Application Data

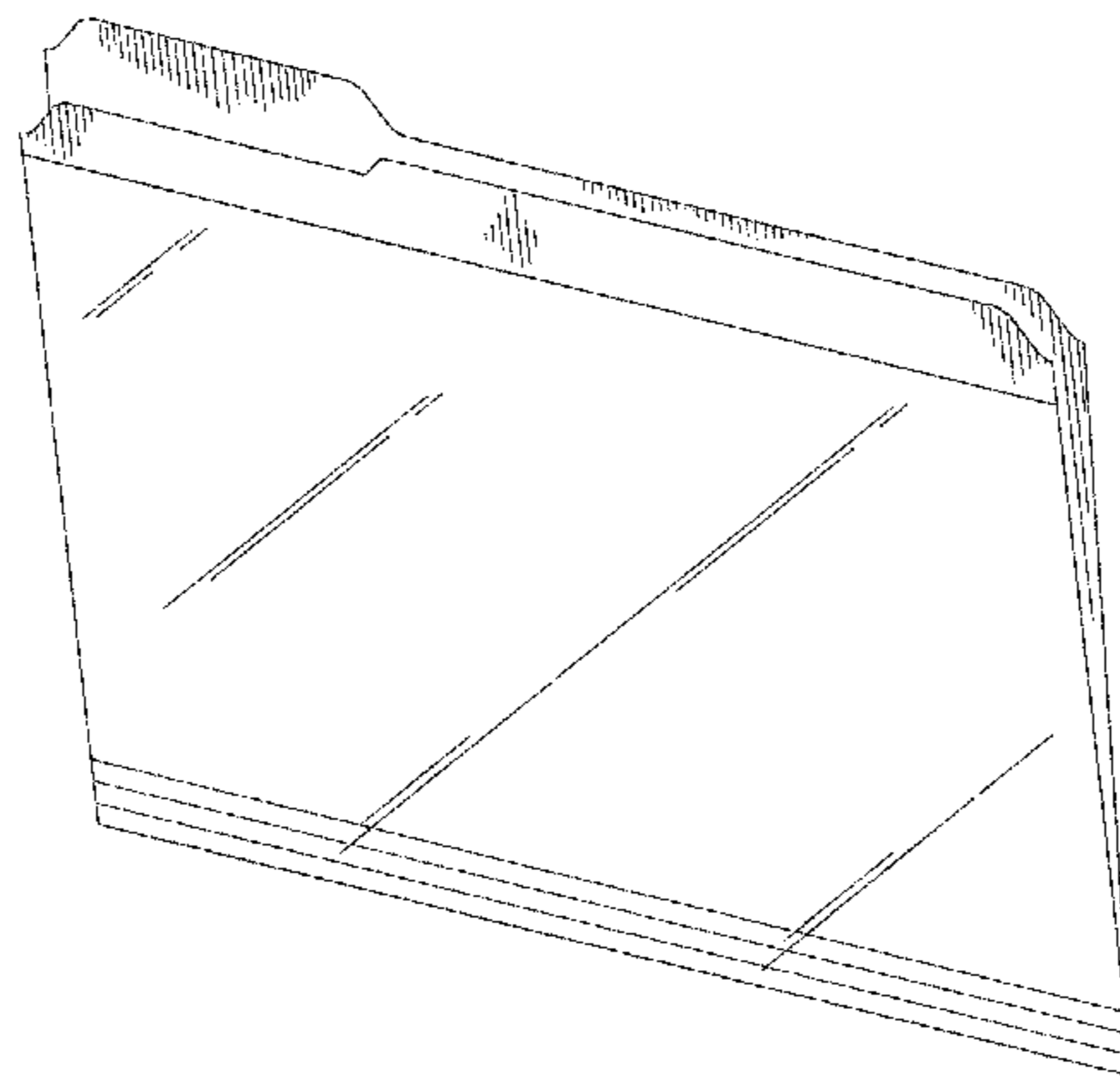
- (63) Continuation of application No. 29/388,222, filed on
Mar. 25, 2011, now Pat. No. Des. 689,548.
- (51) **LOC (10) Cl.** **19-04**
- (52) **U.S. Cl.**
USPC **D19/26**
- (58) **Field of Classification Search**
CPC B42F 7/02; B42F 21/02; B42F 21/04;
B42P 2241/06
USPC D19/26-33, 86, 90, 91; 40/459, 641,
40/642.02; 206/215, 425; 229/67.1, 67.2,
229/67.3, 67.4; 281/45; 312/184, 321
See application file for complete search history.

(56) **References Cited**

U.S. PATENT DOCUMENTS

1,016,789	A *	2/1912	Smith	281/45
1,529,264	A *	3/1925	Mayers	40/359
1,596,311	A *	8/1926	Schaffert	40/359
1,654,545	A *	1/1928	Lindsay	40/359
1,697,985	A *	1/1929	Lindsay	40/359
1,730,644	A *	10/1929	Clark	40/359
1,759,255	A *	5/1930	Greenhaus	229/67.4
2,037,579	A *	4/1936	Jonas	40/359

2,260,407	A *	10/1941	Stanley	40/359
2,274,909	A *	3/1942	Murray	229/67.1
2,599,768	A *	6/1952	Losch, Jr.	402/79
D182,366	S *	3/1958	Jonas	D19/86
3,099,268	A *	7/1963	Smith	40/537
3,099,464	A *	7/1963	Smith	281/20
3,524,688	A *	8/1970	Dean	312/184
3,683,533	A *	8/1972	Kelly	40/359
3,999,819	A *	12/1976	Schreyer	312/184
4,388,958	A *	6/1983	Dworkin	229/72
D275,576	S *	9/1984	Kirk	D19/33
4,477,013	A *	10/1984	Herrin	229/67.1
4,485,962	A *	12/1984	Farley	229/67.1
4,576,328	A *	3/1986	Snider et al.	229/67.1
4,806,397	A *	2/1989	Horwitz	428/14
4,893,745	A *	1/1990	Weber et al.	229/67.2
5,025,979	A *	6/1991	Dellacroce	229/67.2
D337,784	S *	7/1993	Wyant	D19/26
5,285,952	A *	2/1994	Ho	229/67.4
5,749,666	A *	5/1998	Yu	402/18
D405,115	S *	2/1999	Stravitz	D19/90
6,004,062	A *	12/1999	Hunter et al.	402/79
6,108,953	A *	8/2000	Hall	40/359
6,139,064	A *	10/2000	Maier-Hunke	281/45
6,161,704	A *	12/2000	Stravitz	211/45
6,182,827	B1 *	2/2001	Su	206/425
6,217,074	B1 *	4/2001	Conley, Jr.	281/15.1
6,273,470	B1 *	8/2001	Bullock	281/29
6,453,589	B1 *	9/2002	Schwartz	40/359
6,679,418	B1 *	1/2004	Schwartz	229/67.4
6,732,461	B2 *	5/2004	Slattery et al.	40/641
6,808,104	B2 *	10/2004	Cobble	229/67.1
6,926,158	B1 *	8/2005	Brown	211/46
7,108,169	B2 *	9/2006	Balzer	229/67.1
D530,743	S *	10/2006	Ong	D19/26
7,232,537	B2 *	6/2007	Bullock	264/293
D588,634	S *	3/2009	Wittmeyer et al.	D19/26
D601,189	S *	9/2009	Riesterer et al.	D19/26
D637,229	S *	5/2011	Hicks et al.	D19/26
7,954,694	B2 *	6/2011	DeCarlo et al.	229/67.2
8,100,319	B2 *	1/2012	Wittmeyer et al.	229/67.4
8,104,669	B2 *	1/2012	Christensen et al.	229/67.1
D682,933	S *	5/2013	Bowman et al.	D19/26
D688,302	S *	8/2013	Chung	D19/26
D690,354	S *	9/2013	Bowman et al.	D19/26
8,550,330	B2 *	10/2013	Black et al.	229/67.2
8,567,659	B2 *	10/2013	Chung	229/67.1
D705,863	S *	5/2014	Klosky	D19/26
8,733,003	B2 *	5/2014	Bowman et al.	40/641
2002/0085040	A1 *	7/2002	Krolczyk et al.	345/777
2002/0147093	A1 *	10/2002	Cobble	493/413
2003/0010815	A1 *	1/2003	Balzer	229/67.1
2005/0000839	A1 *	1/2005	Densley	206/425



2006/0151587	A1 *	7/2006	Garbarino	229/314
2006/0172106	A1 *	8/2006	Peleman	428/57
2006/0226205	A1 *	10/2006	O'Leary et al.	229/67.2
2008/0030016	A1 *	2/2008	Black et al.	281/45
2008/0156853	A1 *	7/2008	Dodson	229/67.1
2008/0197174	A1 *	8/2008	Wittmeyer et al.	229/67.1
2008/0197175	A1 *	8/2008	Christensen et al.	229/67.1
2009/0091117	A1 *	4/2009	Shoffstall-Ridley	281/20
2010/0225101	A1 *	9/2010	Koike et al.	281/28
2012/0217211	A1 *	8/2012	Bullock	211/46
2012/0267424	A1 *	10/2012	Goodfellow et al.	229/67.2
2013/0036637	A1 *	2/2013	Mazursky	40/359
2013/0074381	A1 *	3/2013	Bowman et al.	40/359
2014/0015241	A1 *	1/2014	Shoffstall-Ridley	283/67
2014/0151441	A1 *	6/2014	Black et al.	229/67.1

* cited by examiner

Primary Examiner — Elizabeth Albert

(74) *Attorney, Agent, or Firm* — Calfee, Halter & Griswold LLP

(57) **CLAIM**

I claim the ornamental design for a folder, as shown and described.

DESCRIPTION

FIG. 1 is a front/right/top perspective view of a first embodiment of the folder;
 FIG. 2 is a front elevational view thereof;
 FIG. 3 is a rear elevational view thereof;
 FIG. 4 is a top plan view thereof;
 FIG. 5 is a bottom plan view thereof;
 FIG. 6 is a right side elevational view thereof; and
 FIG. 7 is a left side elevational view thereof.
 FIG. 8 is a front/right/top perspective view of a second embodiment of the folder, for which front/right/top perspective, front and rear elevational, top and bottom plan, and left and right side elevational views would all be the same as the first embodiment.
 FIG. 9 is a front/right/top perspective view of a third embodiment of the folder;
 FIG. 10 is a front elevational view thereof;
 FIG. 11 is a rear elevational view thereof;
 FIG. 12 is a top plan view thereof;
 FIG. 13 is a bottom plan view thereof;
 FIG. 14 is a right side elevational view thereof; and
 FIG. 15 is a left side elevational view thereof.
 FIG. 16 is a front/right/top perspective view of a fourth embodiment of the folder, for which front/right/top perspective, front and rear elevational, top and bottom plan, and left and right side elevational views would all be the same as the third embodiment.
 FIG. 17 is a front/right/top perspective view of a fifth embodiment of the folder;
 FIG. 18 is a front elevational view thereof;
 FIG. 19 is a rear elevational view thereof;
 FIG. 20 is a top plan view thereof;
 FIG. 21 is a bottom plan view thereof;
 FIG. 22 is a right side elevational view thereof; and
 FIG. 23 is a left side elevational view thereof.
 FIG. 24 is a front/right/top perspective view of a sixth embodiment of the folder, for which front/right/top perspective, front and rear elevational, top and bottom plan, and left and right side elevational views would all be the same as the fifth embodiment.

A front/left/top perspective view of a seventh embodiment of the folder would be a mirror image of FIG. 24. Front and rear elevational, top and bottom plan, and left and right side elevational views thereof would all be the same as the first embodiment.

A front/left/top perspective view of a eighth embodiment of the folder would be a mirror image of FIG. 16. Front and rear elevational, top and bottom plan, and left and right side elevational views thereof would all be the same as the second embodiment.

A front/left/top perspective view of a ninth embodiment of the folder would be a mirror image of FIG. 8. Front and rear elevational, top and bottom plan, and left and right side elevational views thereof would all be the same as the third embodiment.

FIG. 25 is a front/right/top perspective view of a tenth embodiment of the folder;

FIG. 26 is a front elevational view thereof;

FIG. 27 is a rear elevational view thereof;

FIG. 28 is a top plan view thereof;

FIG. 29 is a bottom plan view thereof;

FIG. 30 is a right side elevational view thereof; and

FIG. 31 is a left side elevational view thereof.

FIG. 32 is a front/right/top perspective view of a eleventh embodiment of the folder, for which front/right/top perspective, front and rear elevational, top and bottom plan, and left and right side elevational views would all be the same as the tenth embodiment.

FIG. 33 is a front/right/top perspective view of a twelfth embodiment of the folder;

FIG. 34 is a front elevational view thereof;

FIG. 35 is a rear elevational view thereof;

FIG. 36 is a top plan view thereof;

FIG. 37 is a bottom plan view thereof;

FIG. 38 is a right side elevational view thereof; and

FIG. 39 is a left side elevational view thereof.

FIG. 40 is a front/right/top perspective view of a thirteenth embodiment of the folder, for which front/right/top perspective, front and rear elevational, top and bottom plan, and left and right side elevational views would all be the same as the twelfth embodiment.

FIG. 41 is a front/right/top perspective view of a fourteenth embodiment of the folder;

FIG. 42 is a front elevational view thereof;

FIG. 43 is a rear elevational view thereof;

FIG. 44 is a top plan view thereof;

FIG. 45 is a bottom plan view thereof;

FIG. 46 is a right side elevational view thereof; and

FIG. 47 is a left side elevational view thereof; and,

FIG. 48 is a front/right/top perspective view of a fifteenth embodiment of the folder, for which front/right/top perspective, front and rear elevational, top and bottom plan, and left and right side elevational views would all be the same as the fourteenth embodiment.

A mirror image of FIG. 48 is a front/left/top perspective view of a sixteenth embodiment of the folder. Front and rear elevational, top and bottom plan, and left and right side elevational views thereof would all be the same as the tenth embodiment. A mirror image of FIG. 40 is a front/left/top perspective view of a seventeenth embodiment of the folder. Front and rear

elevational, top and bottom plan, and left and right side elevational views thereof would all be the same as the eleventh embodiment.

A mirror image of FIG. 32 is a front/left/top perspective view of an eighteenth embodiment of the folder. Front and rear

elevational, top and bottom plan, and left and right side elevational views thereof would all be the same as the twelfth embodiment.

1 Claim, 24 Drawing Sheets

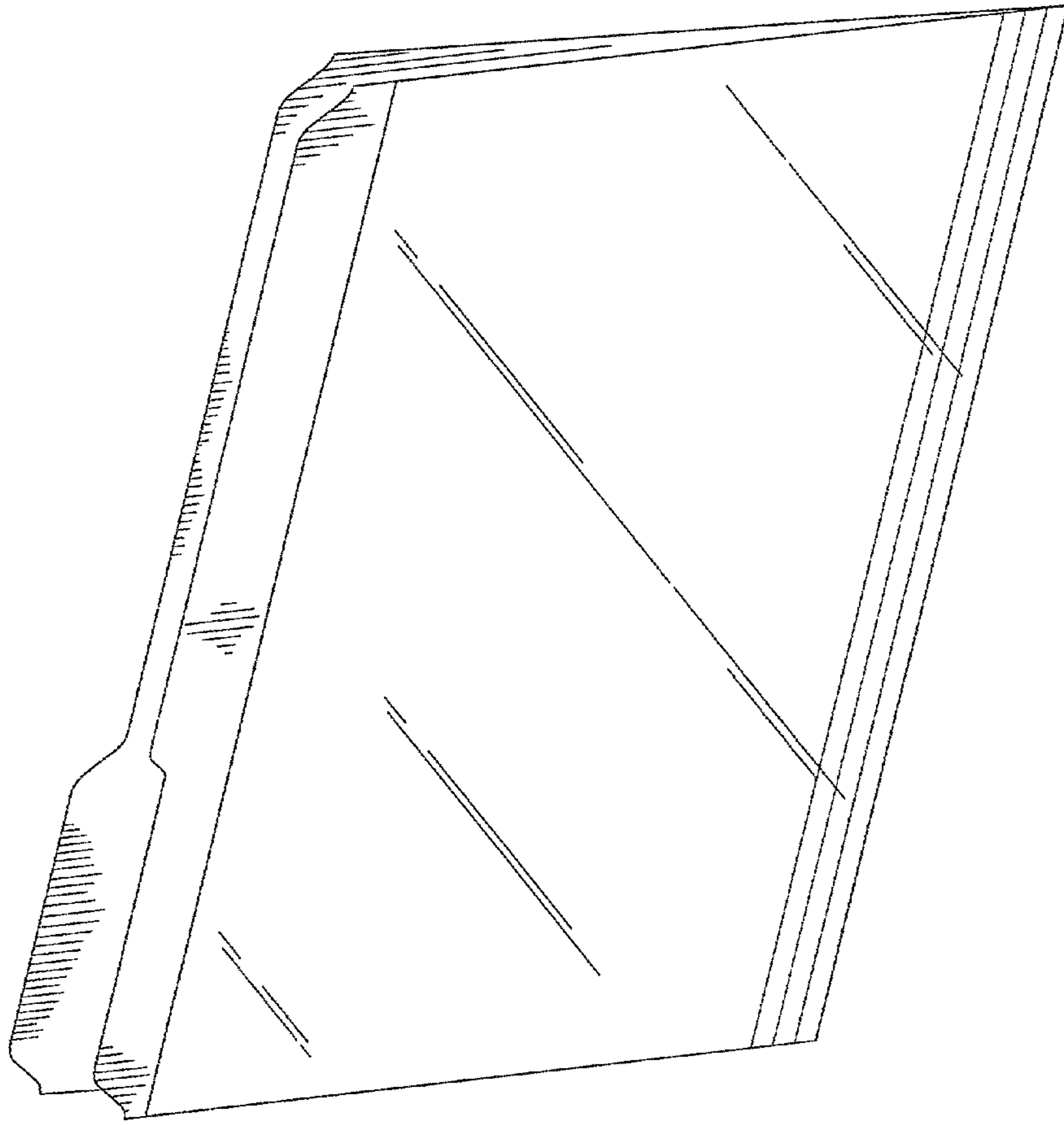


FIG. 1

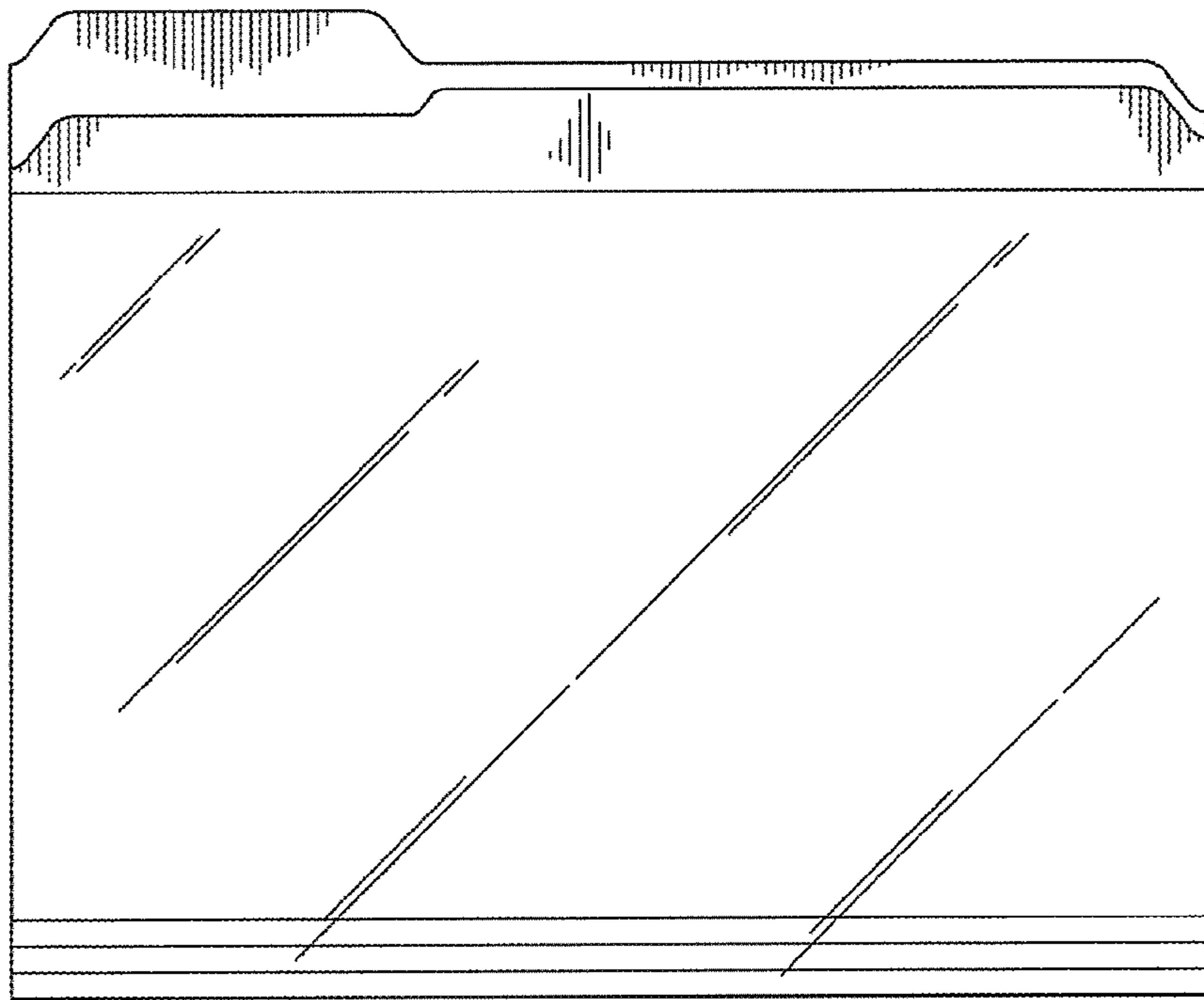


FIG. 2

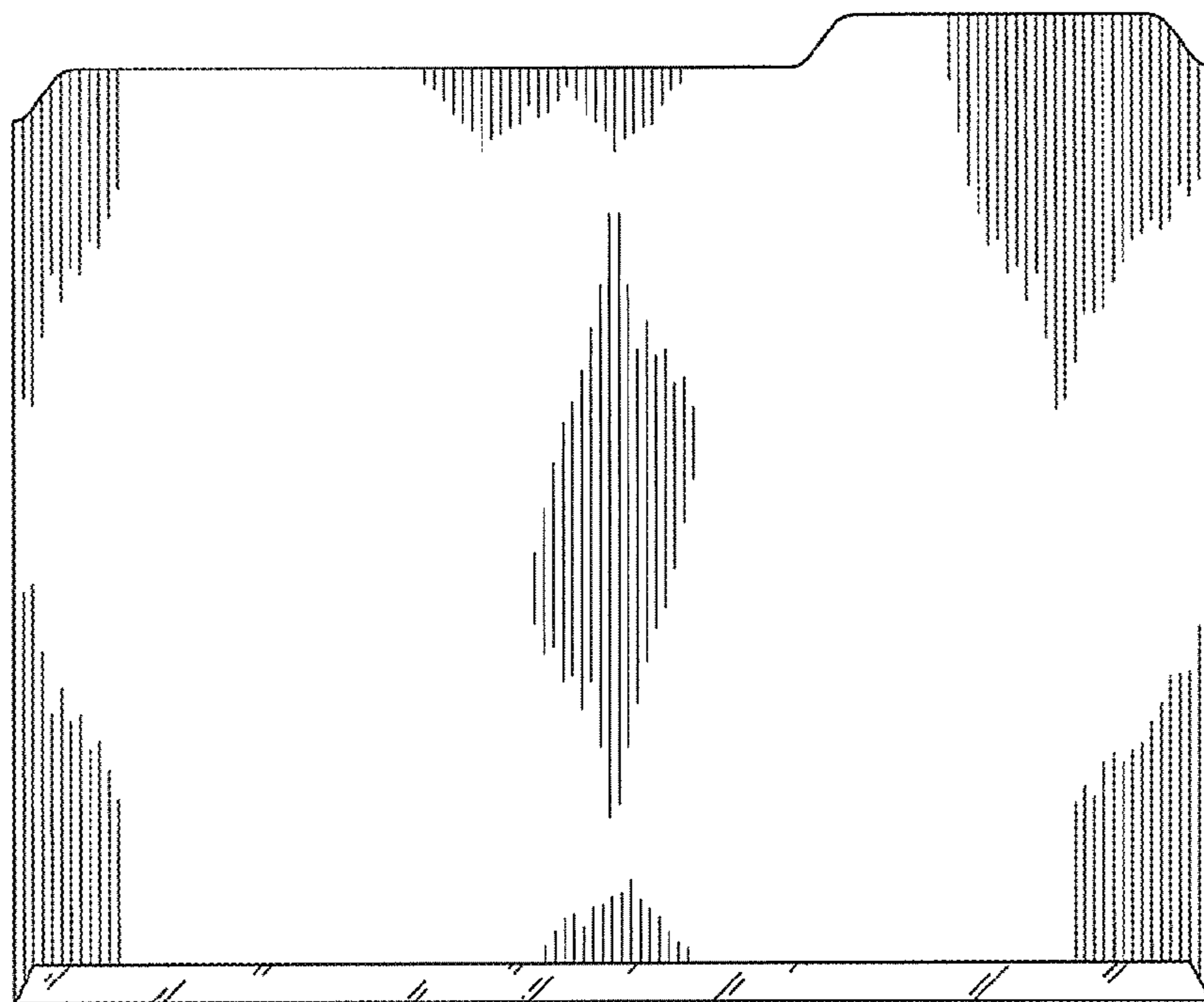


FIG. 3

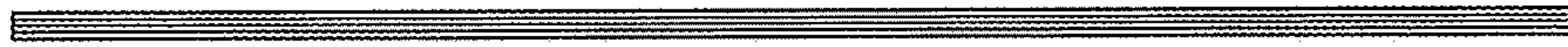


FIG. 4

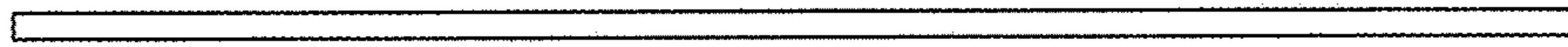


FIG. 5



FIG. 6



FIG. 7

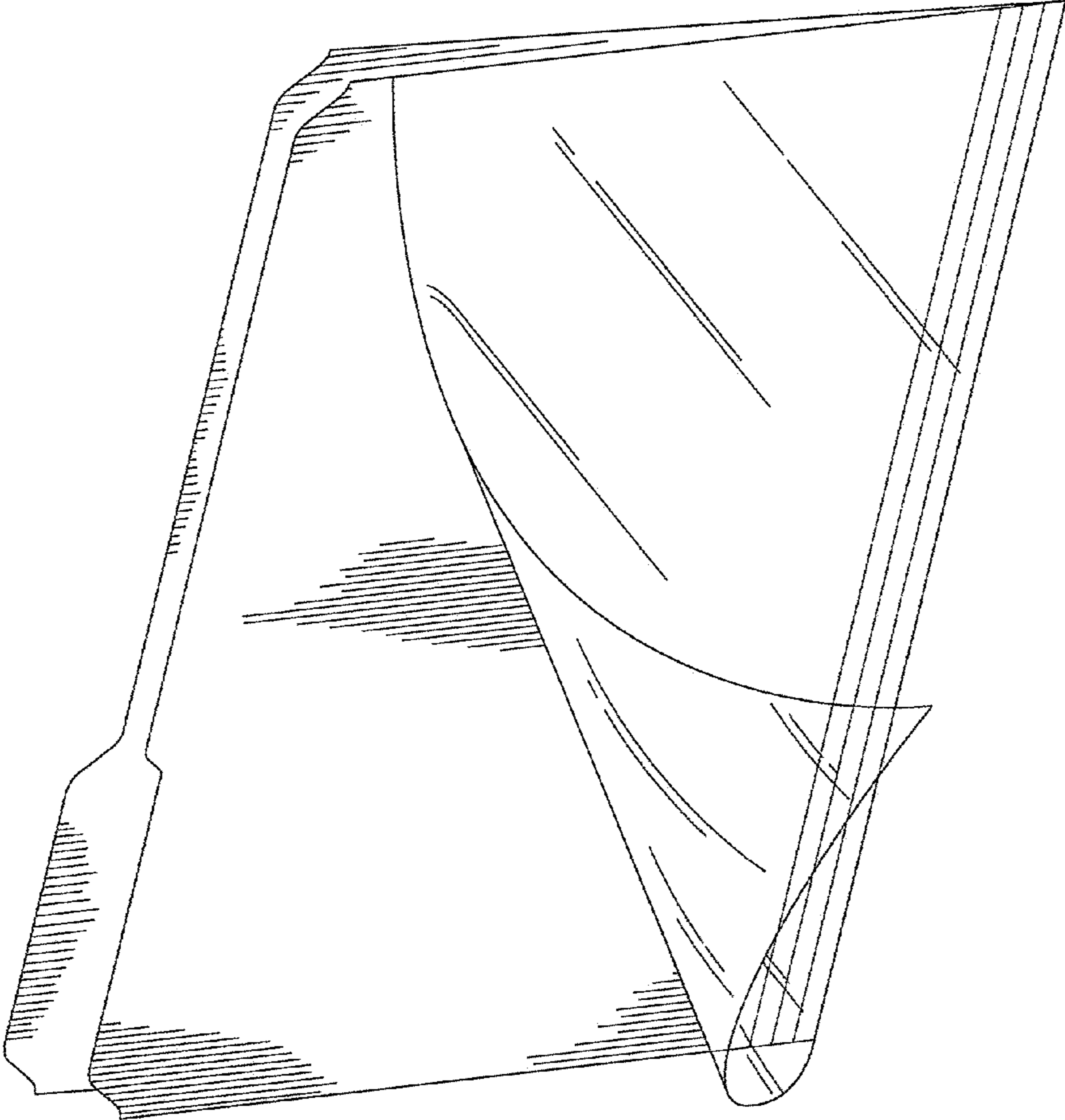


FIG. 8

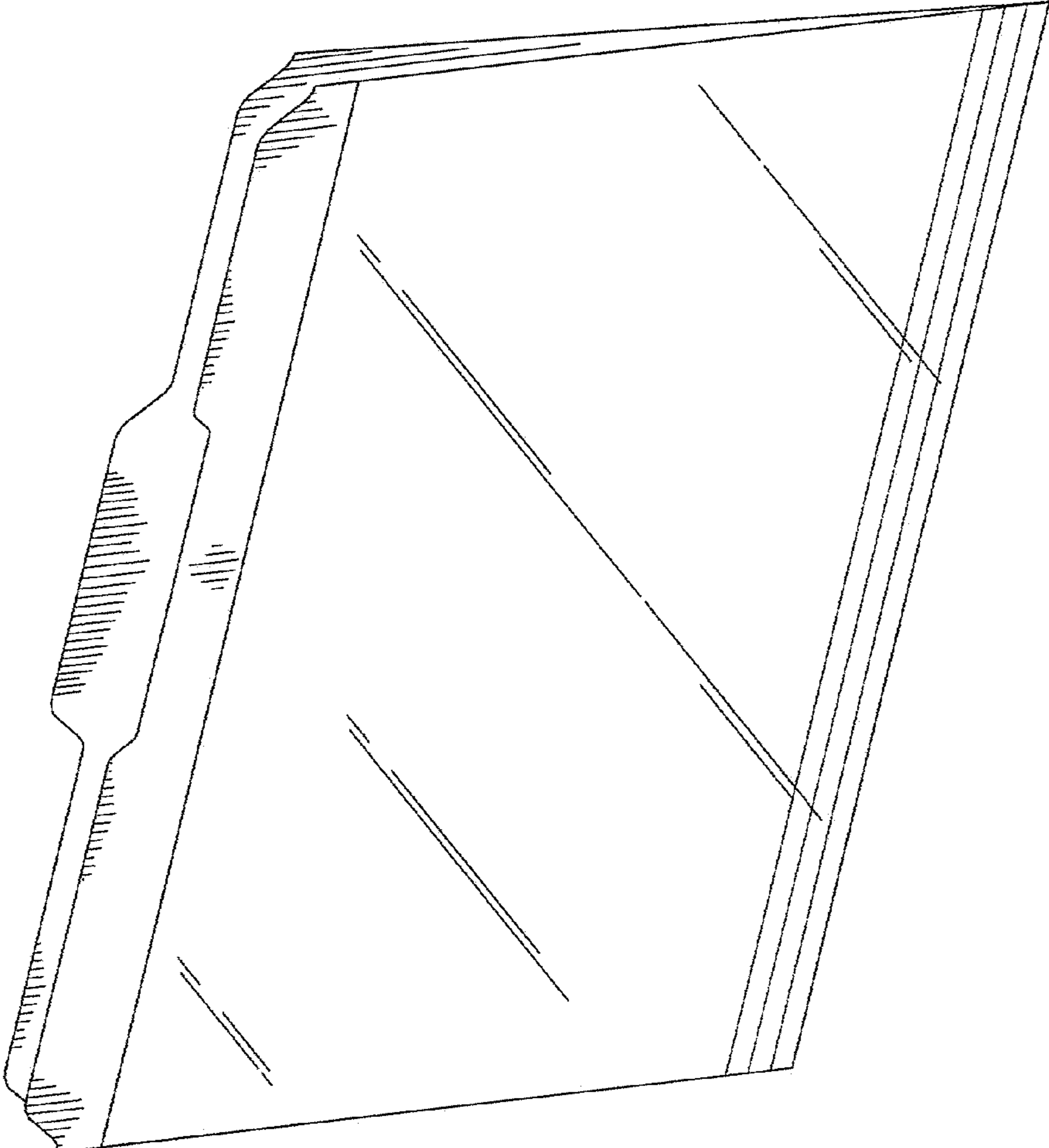


FIG. 9

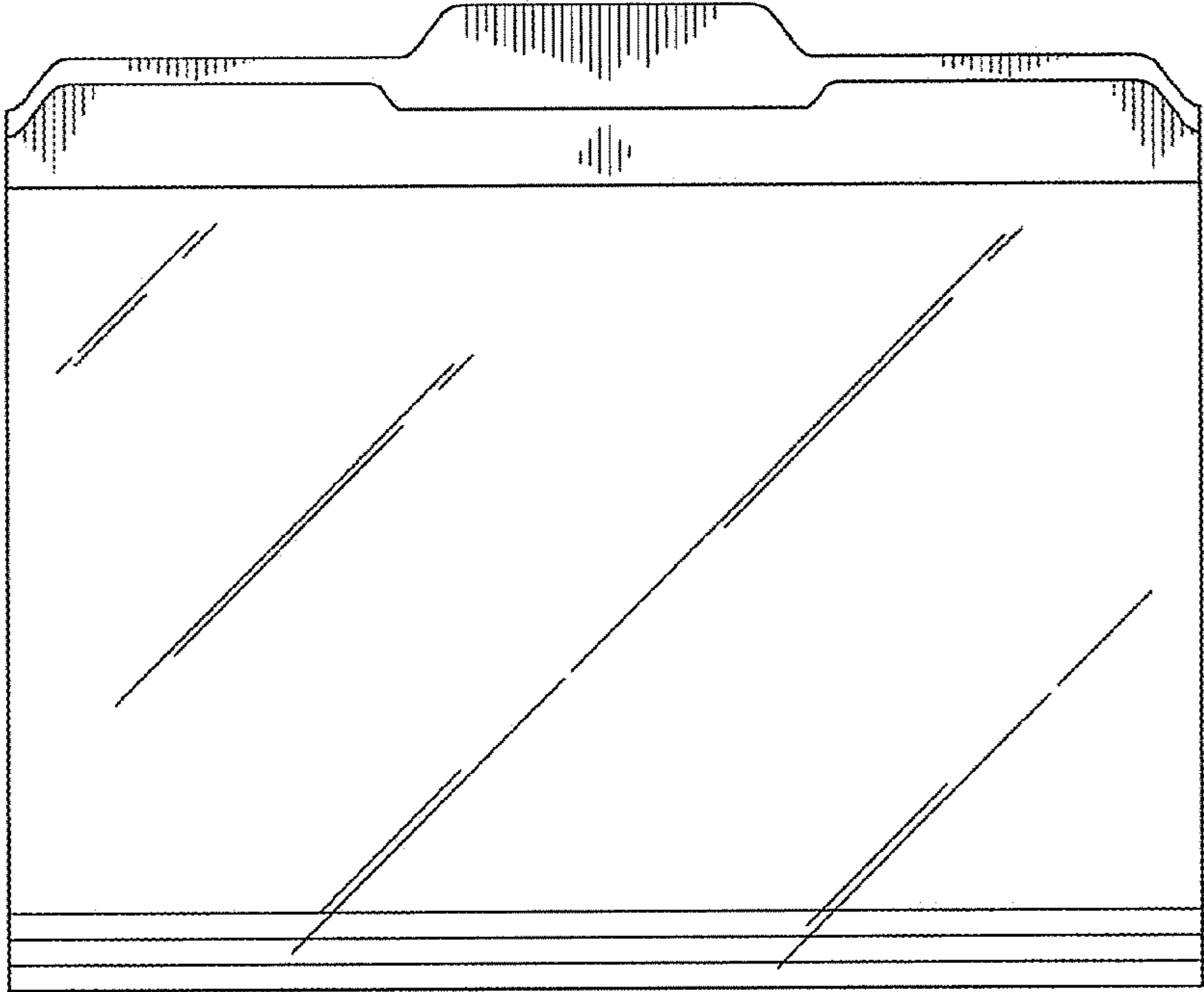


FIG. 10

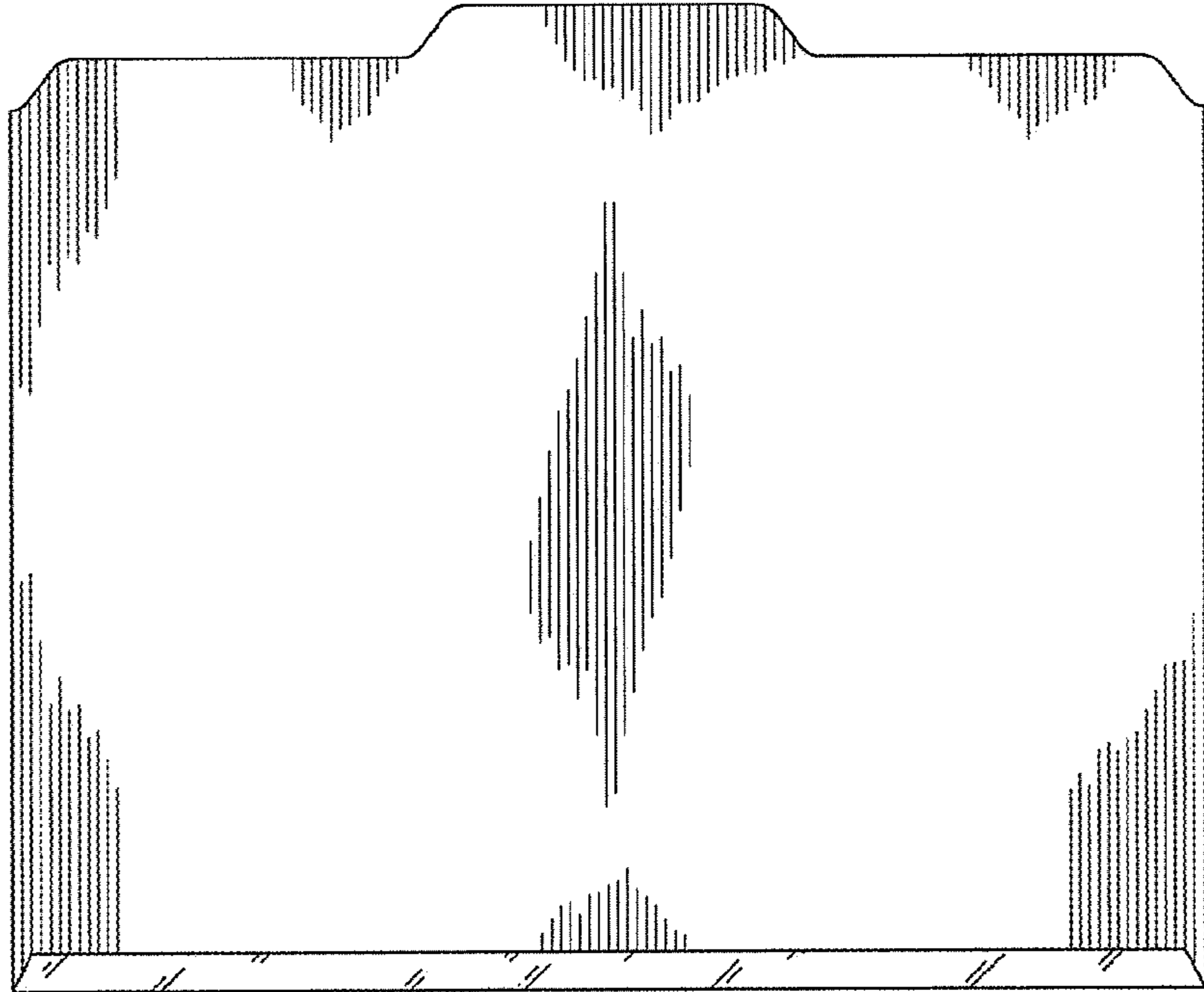


FIG. 11



FIG. 12



FIG. 13



FIG. 14



FIG. 15

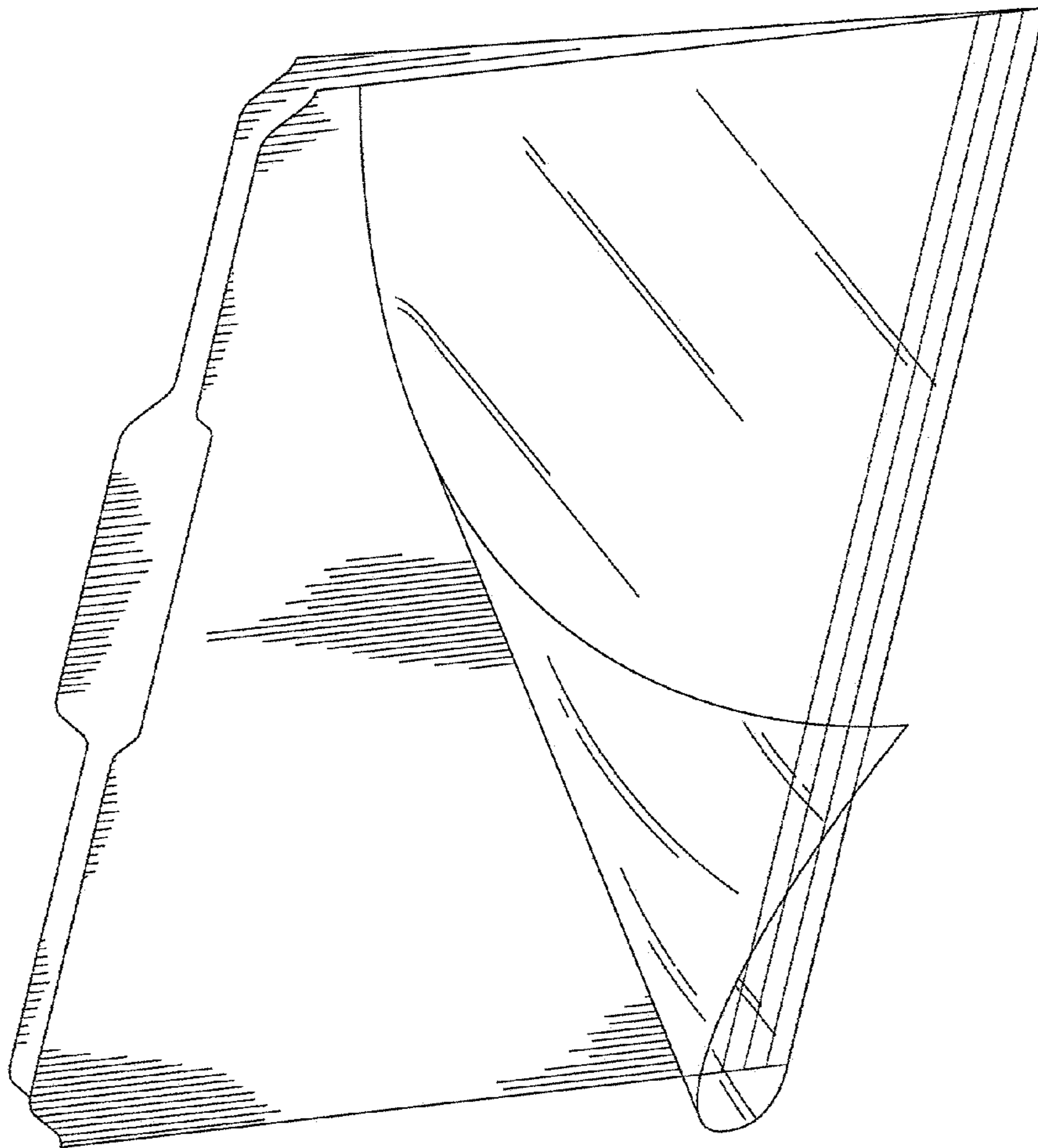


FIG. 16

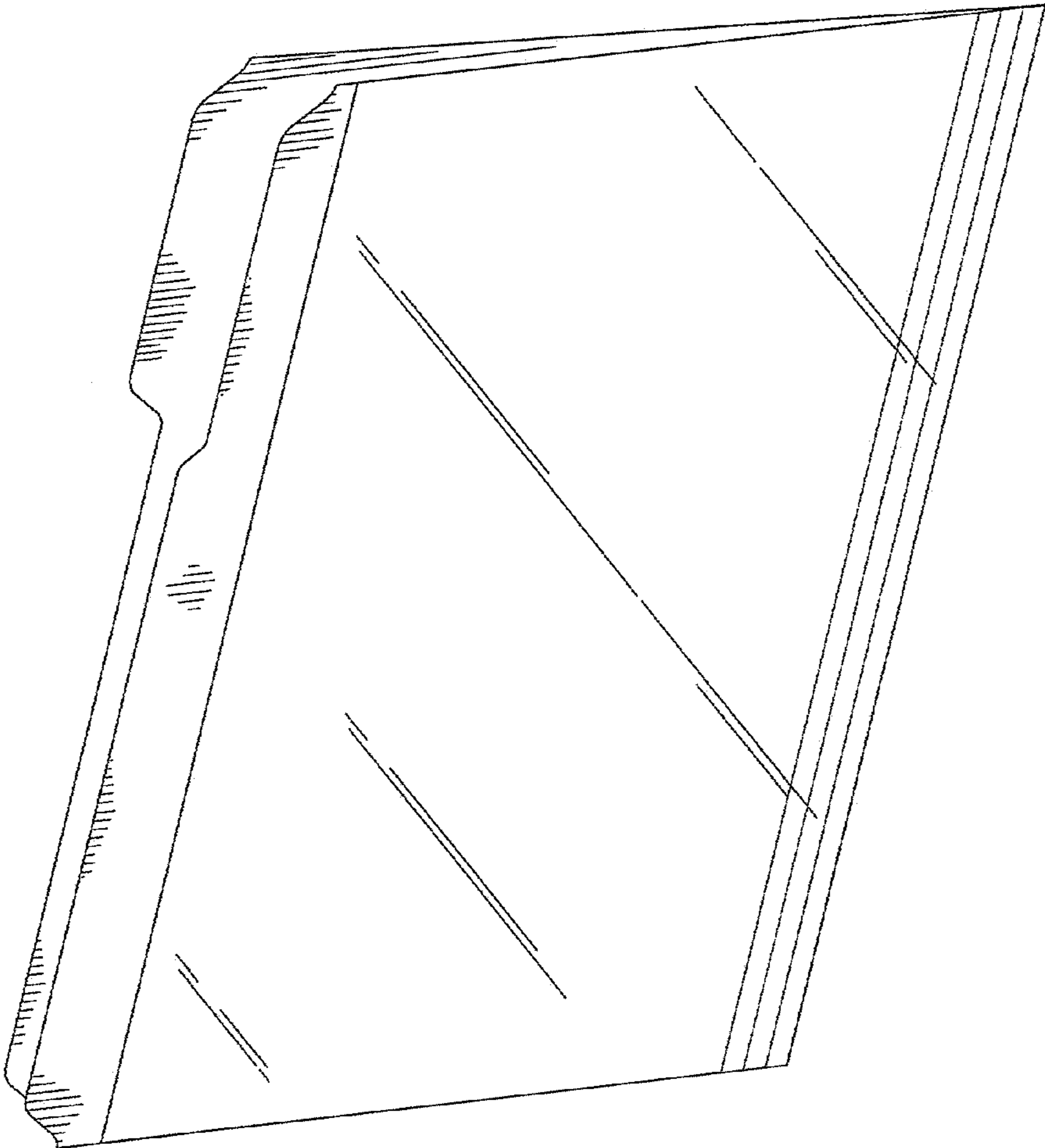


FIG. 17

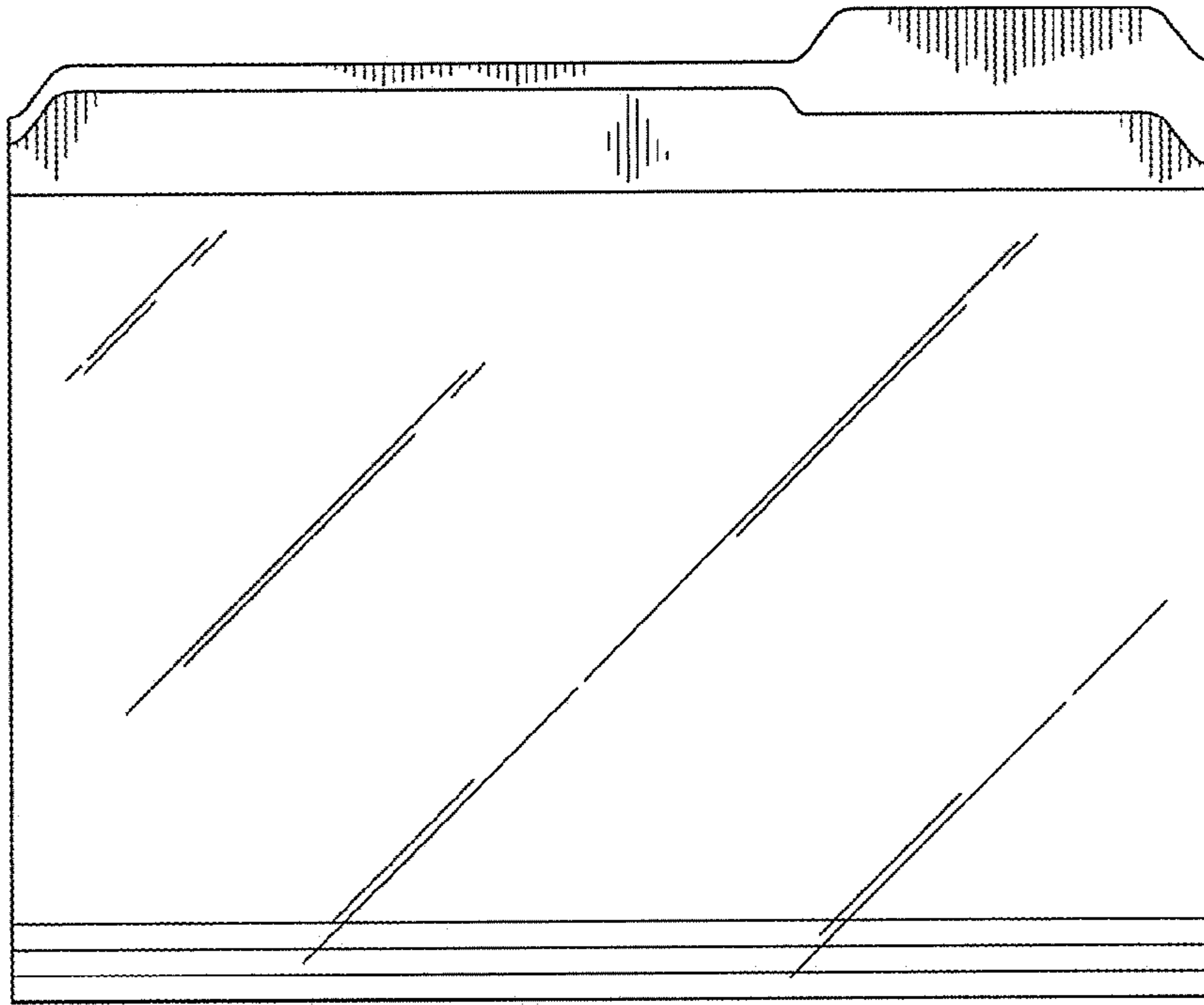


FIG. 18

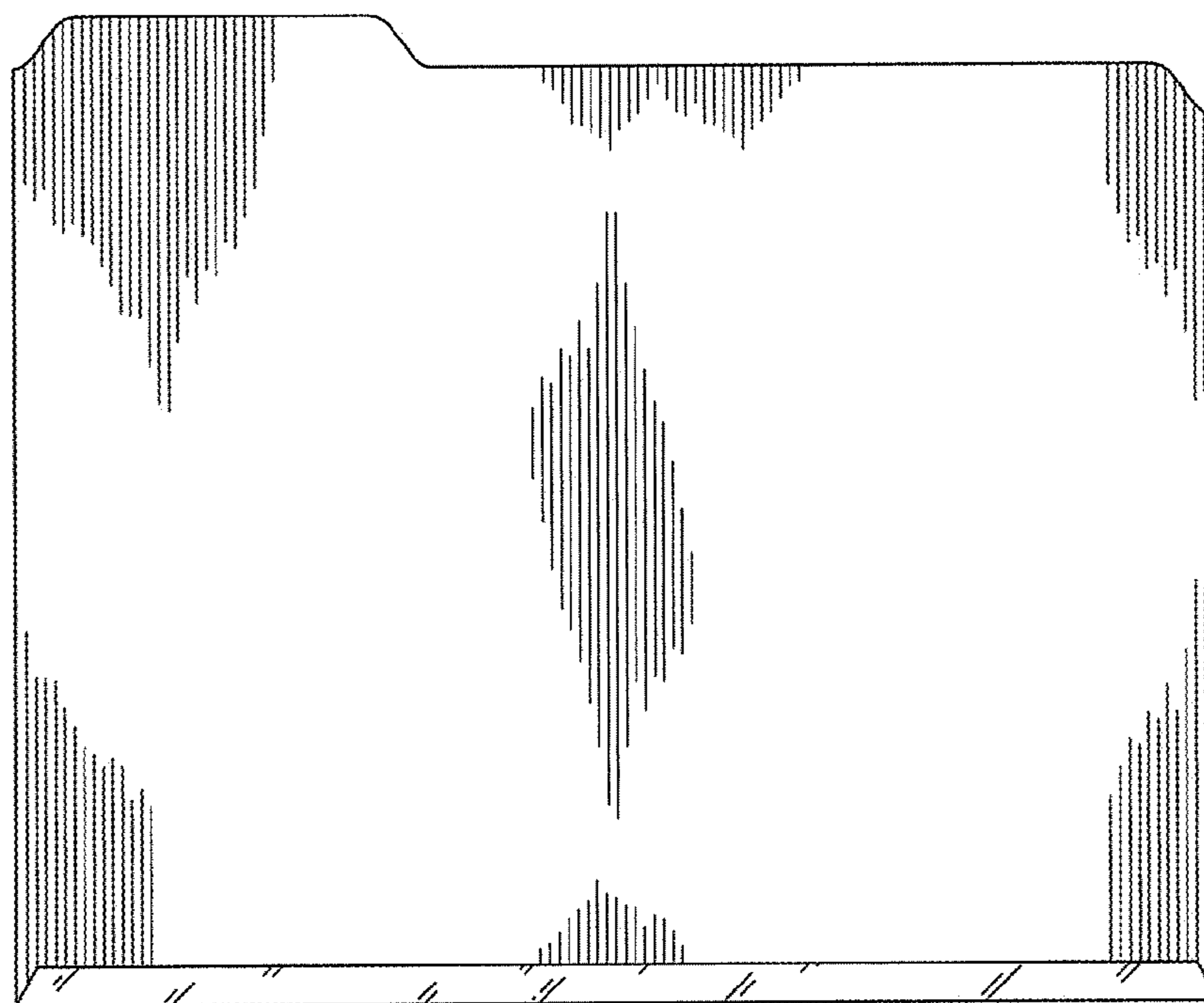


FIG. 19



FIG. 20



FIG. 21



FIG. 22



FIG. 23

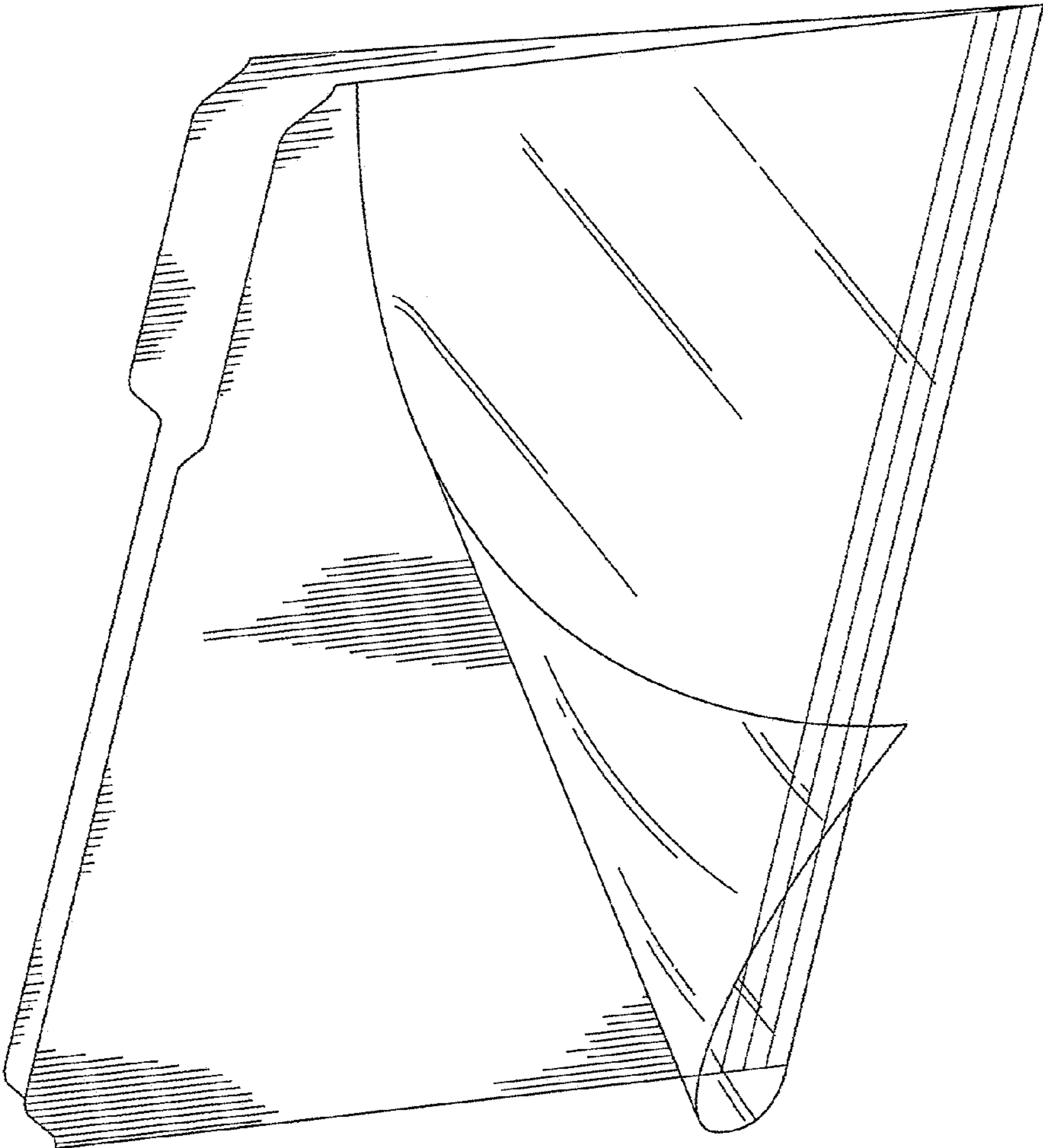


FIG. 24

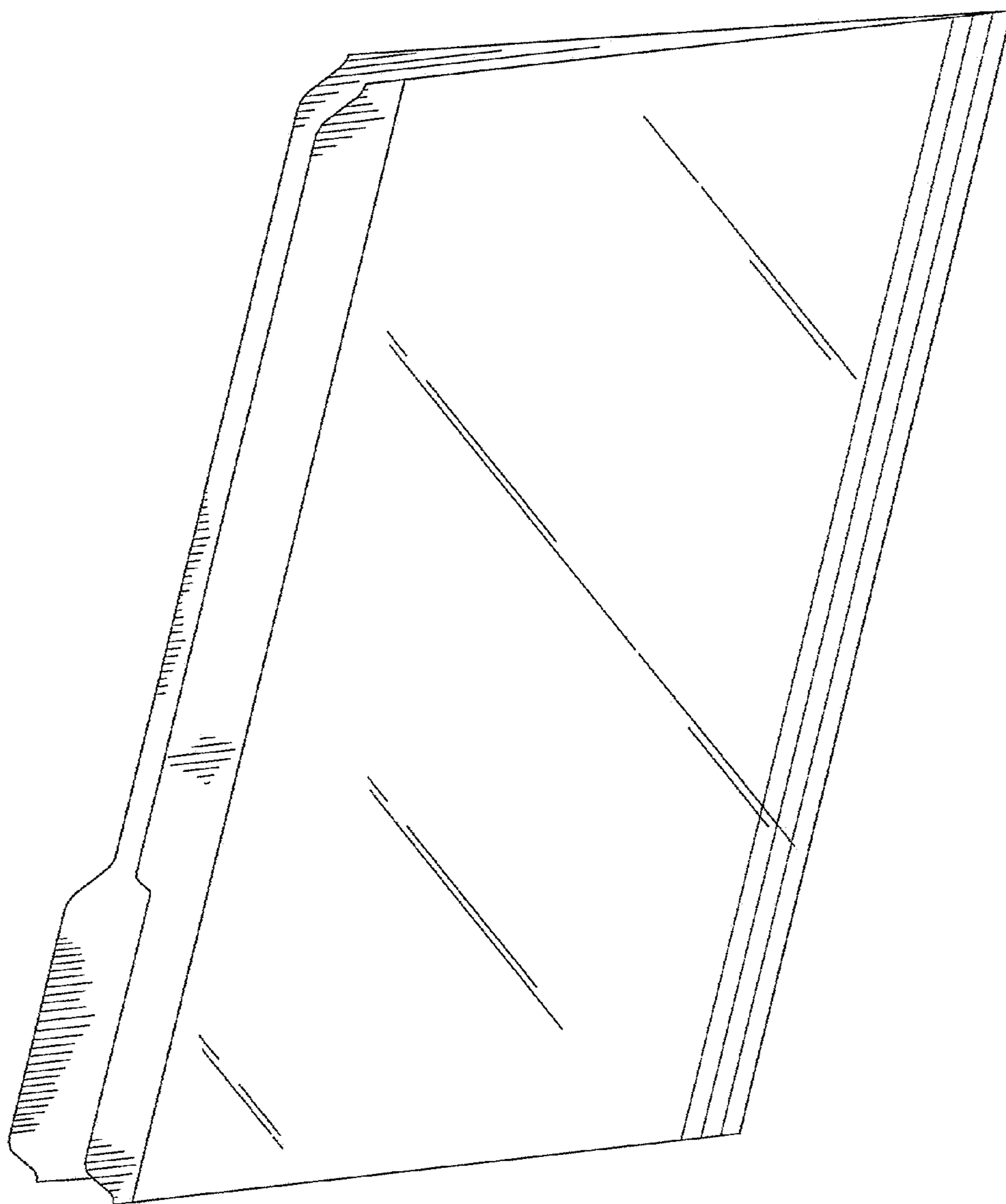


FIG. 25

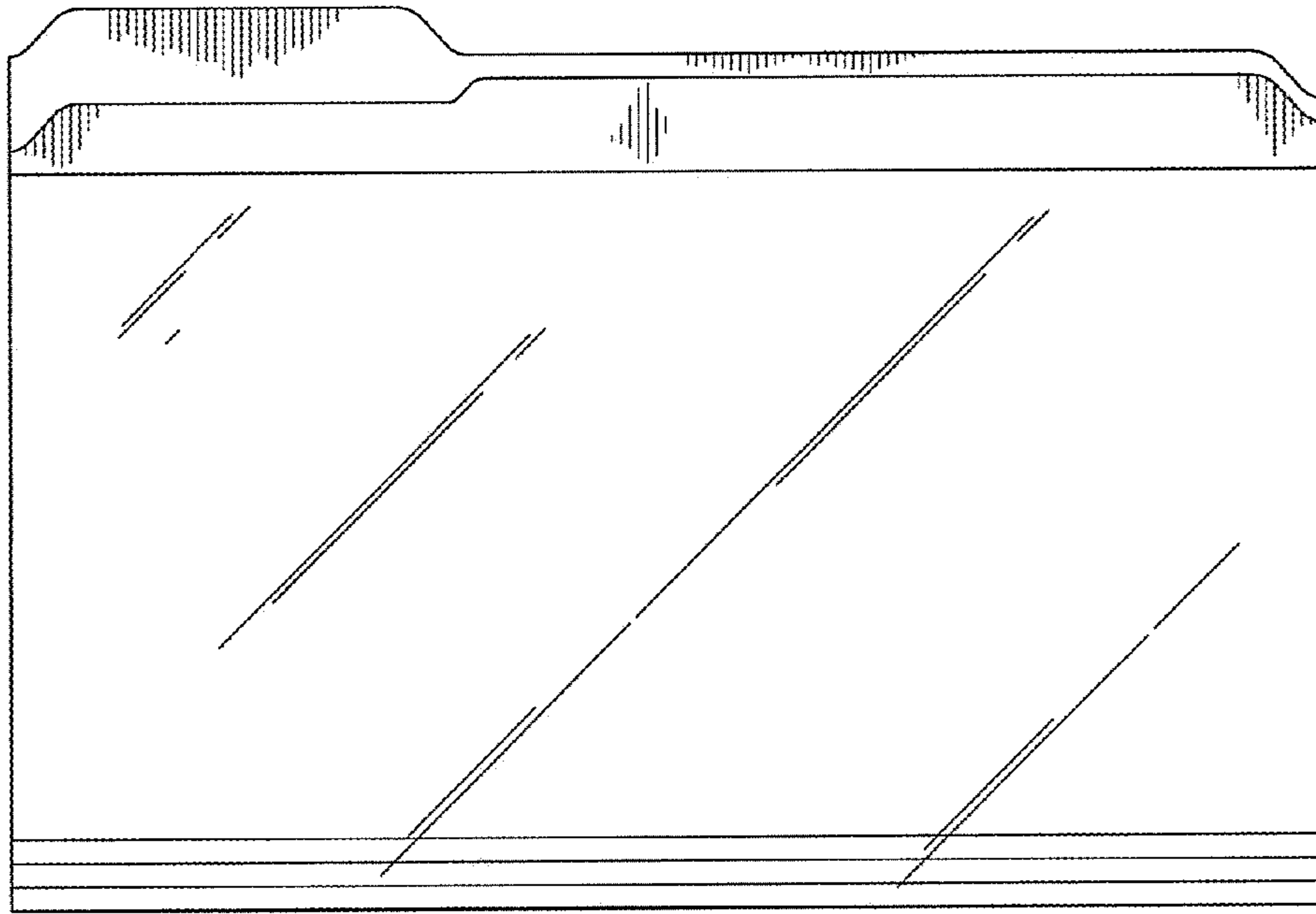


FIG. 26

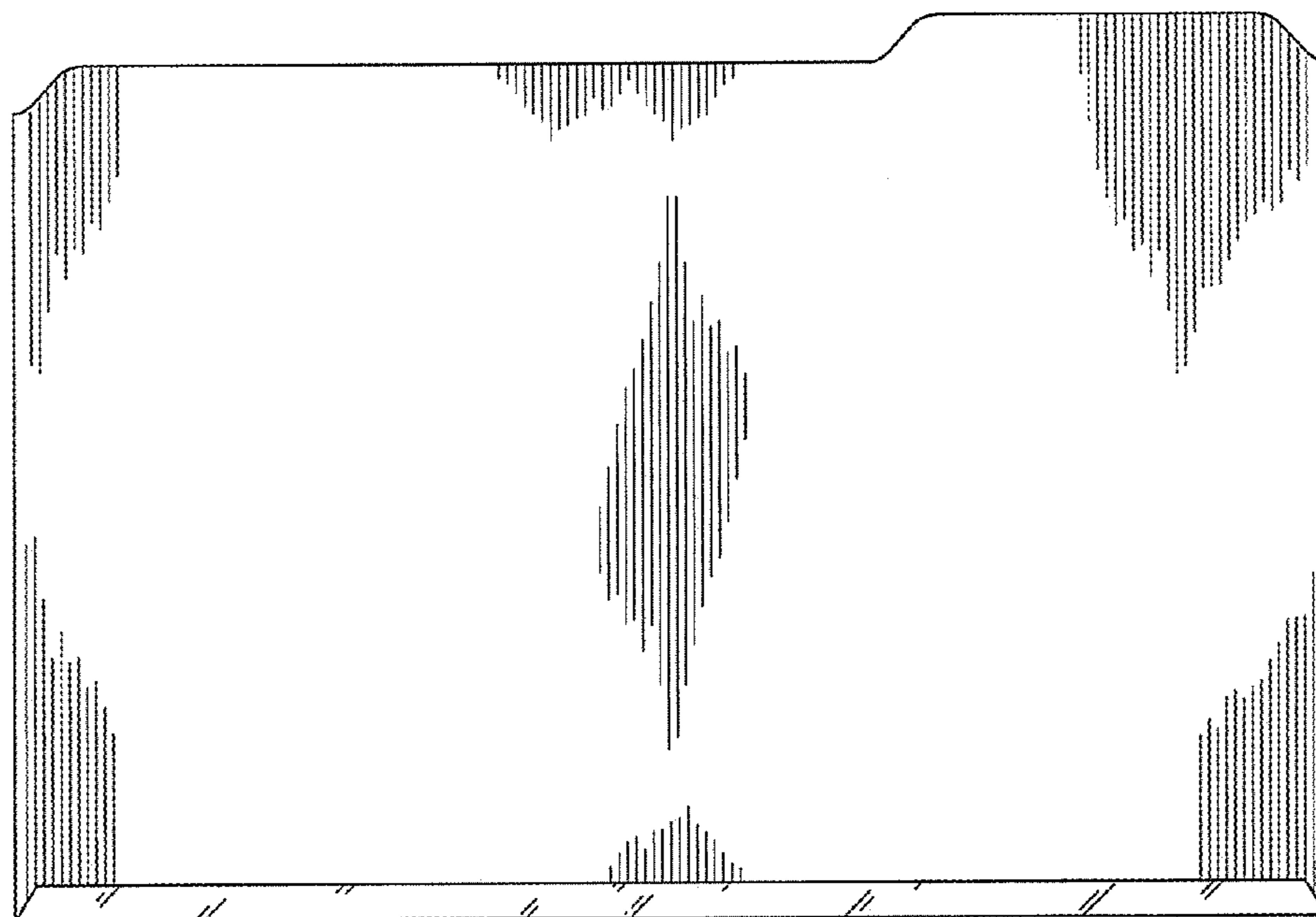


FIG. 27



FIG. 28



FIG. 29



FIG. 30

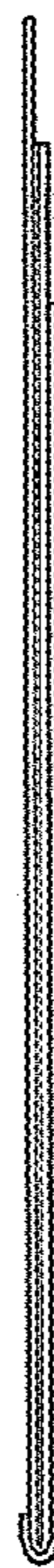


FIG. 31

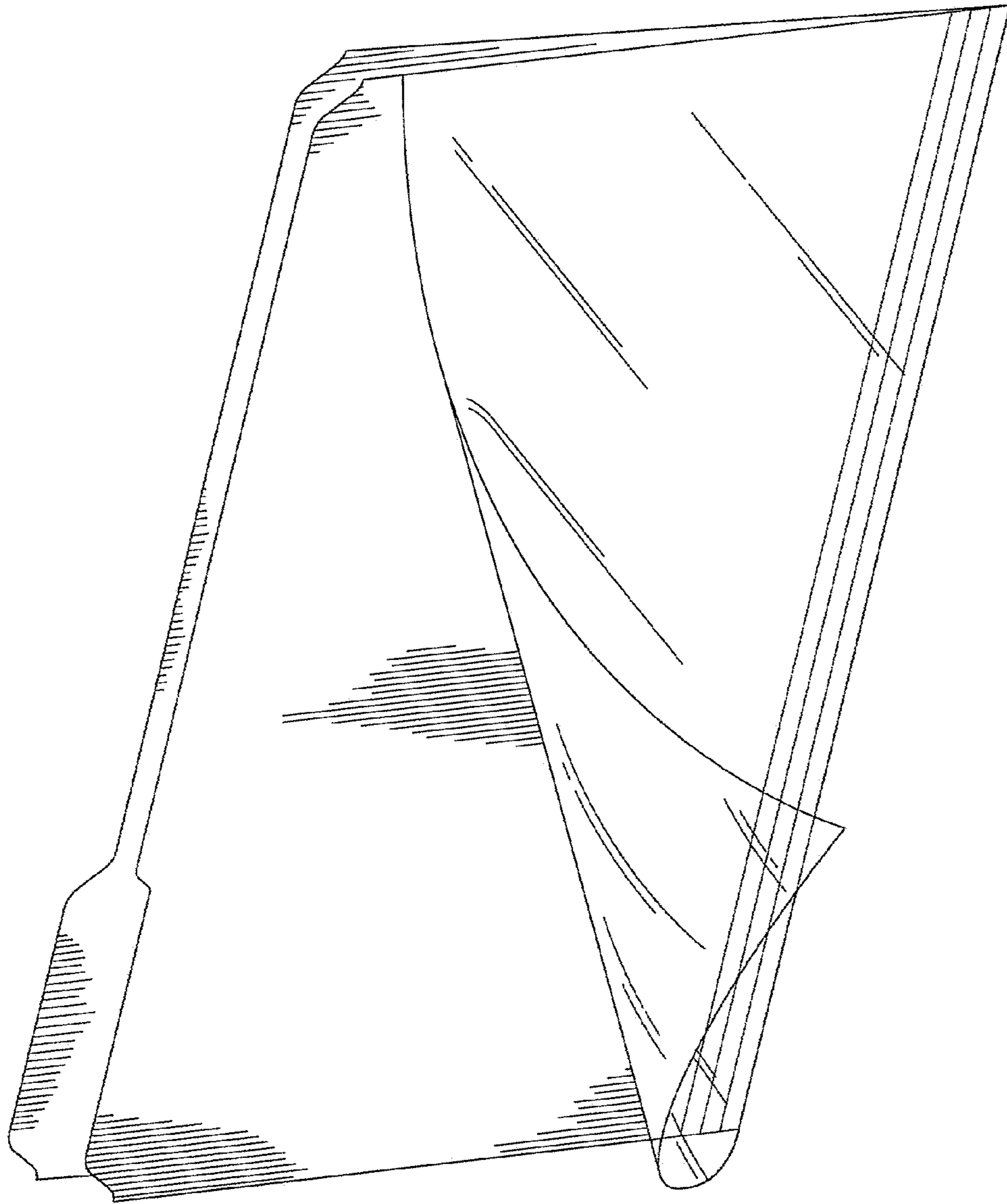


FIG. 32

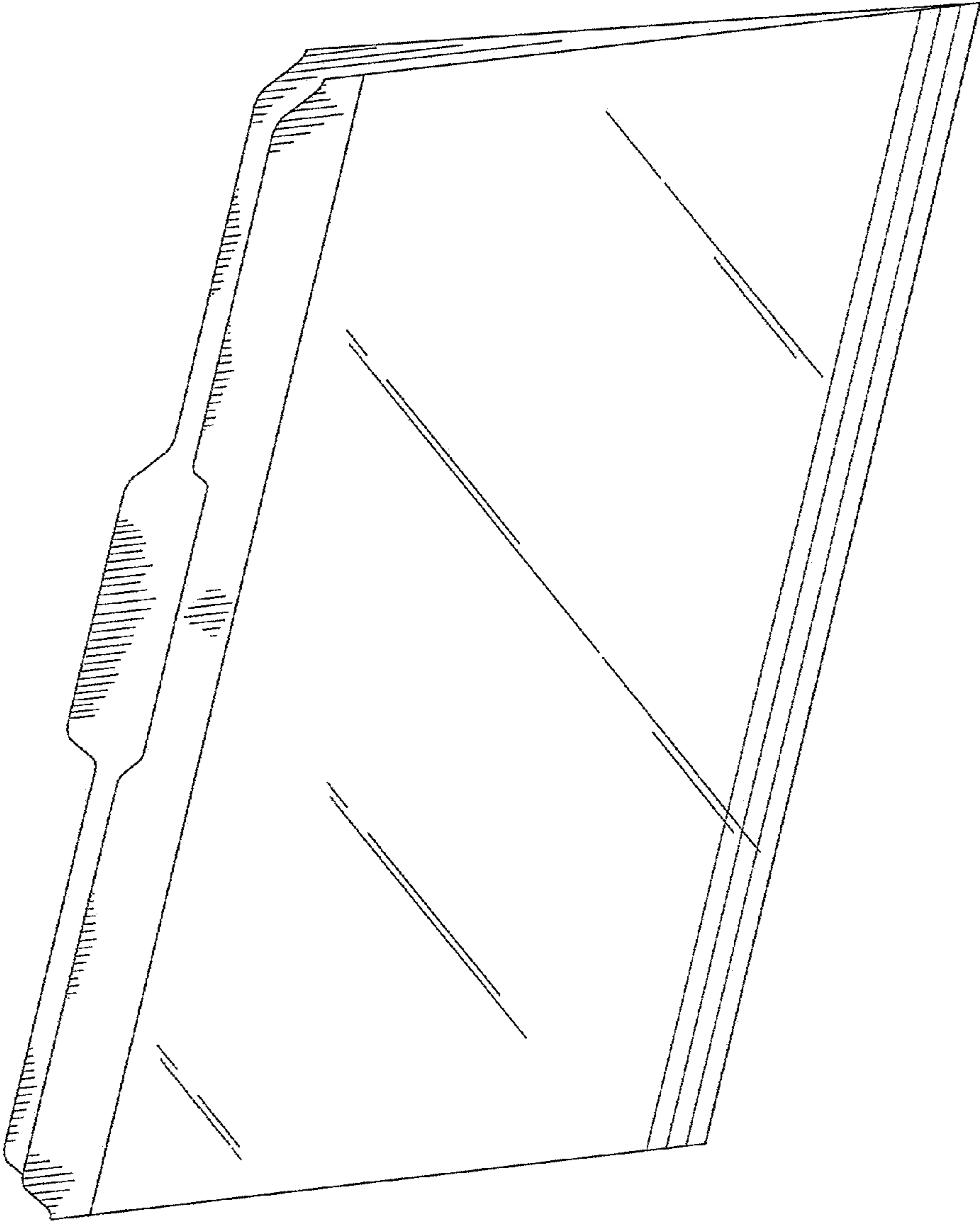


FIG. 33

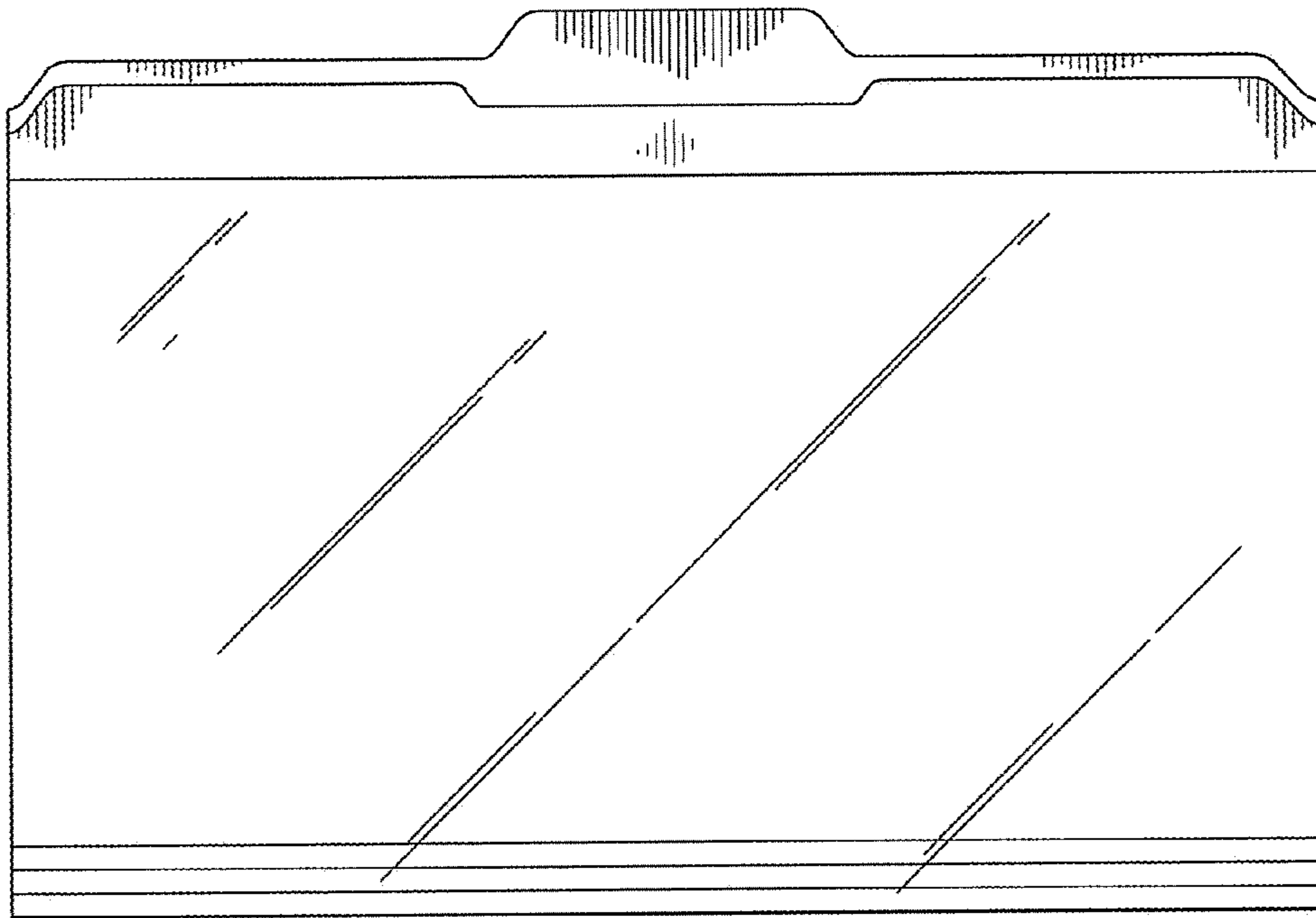


FIG. 34

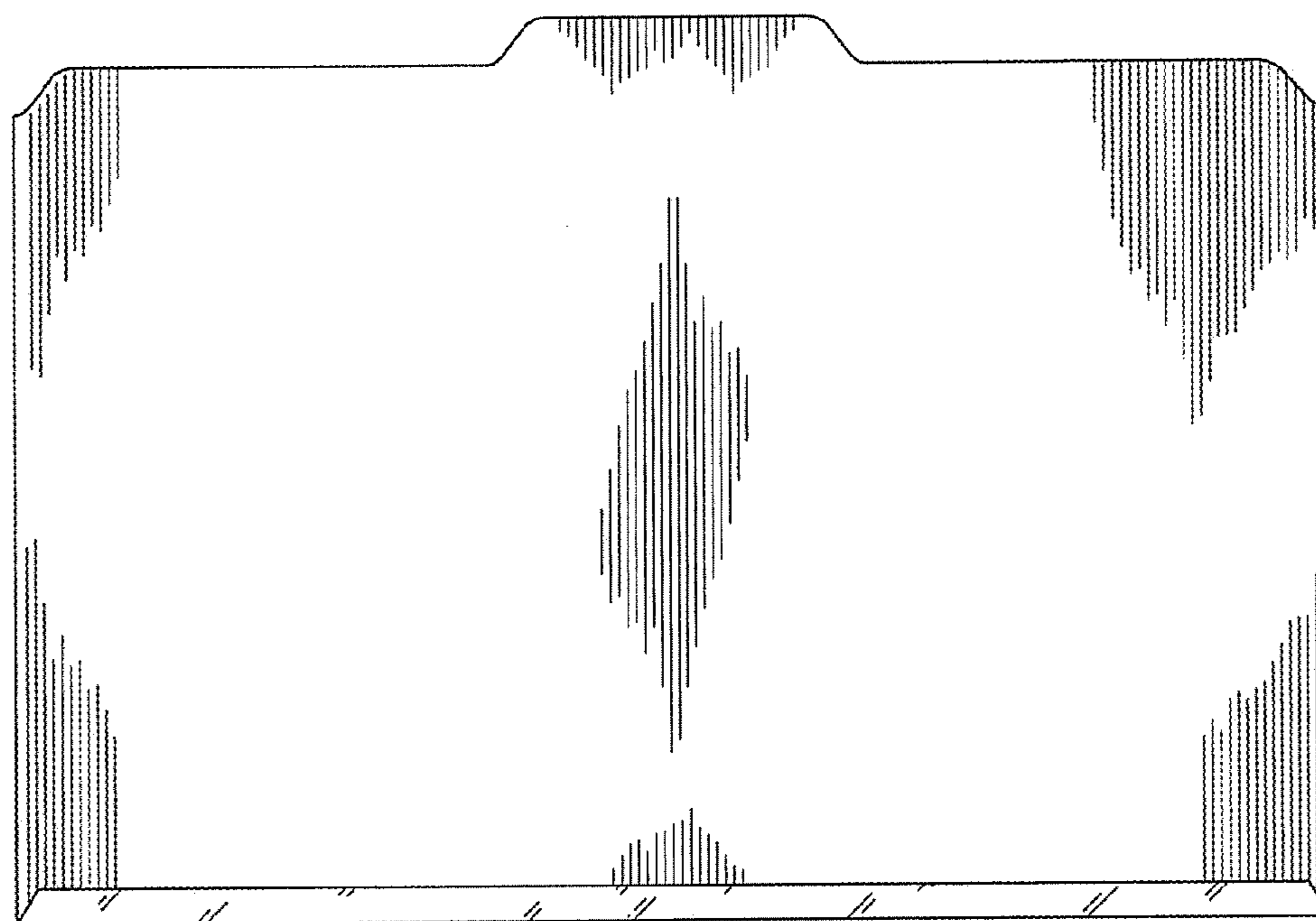


FIG. 35



FIG. 36

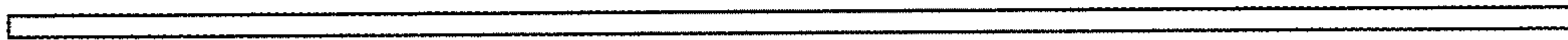


FIG. 37



FIG. 38

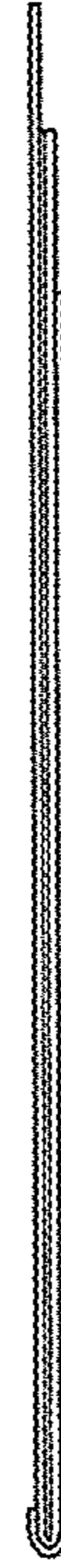


FIG. 39

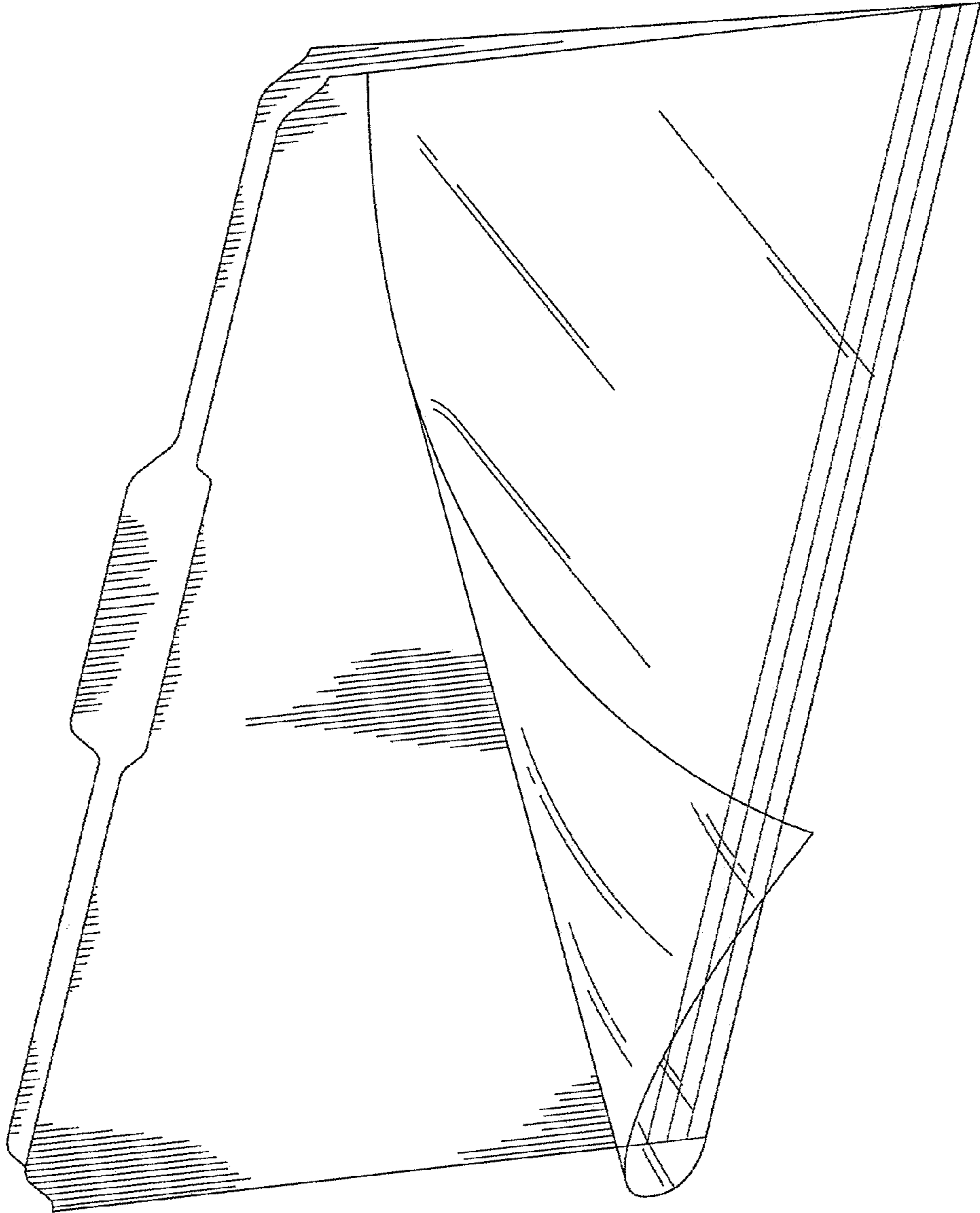


FIG. 40

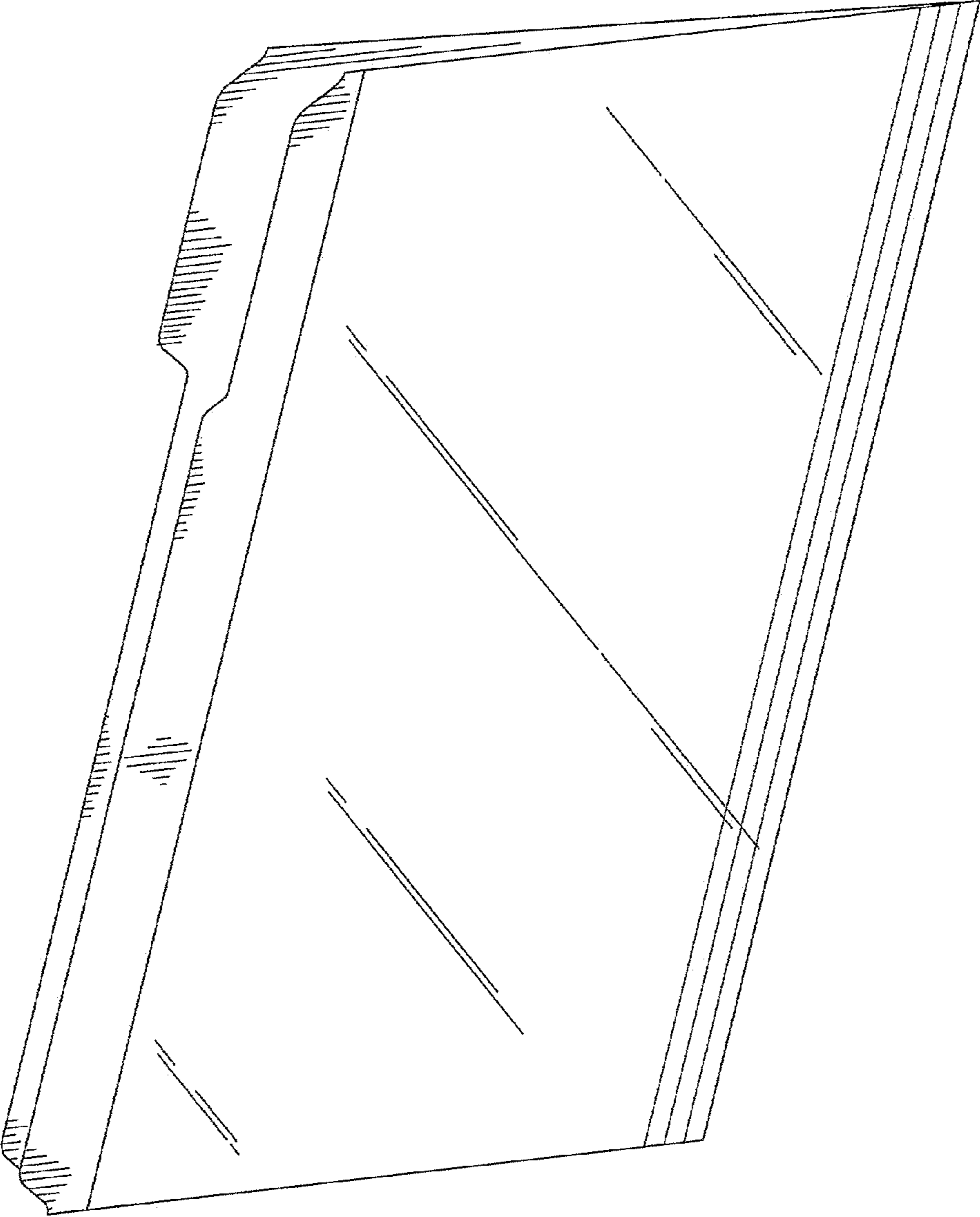


FIG. 41

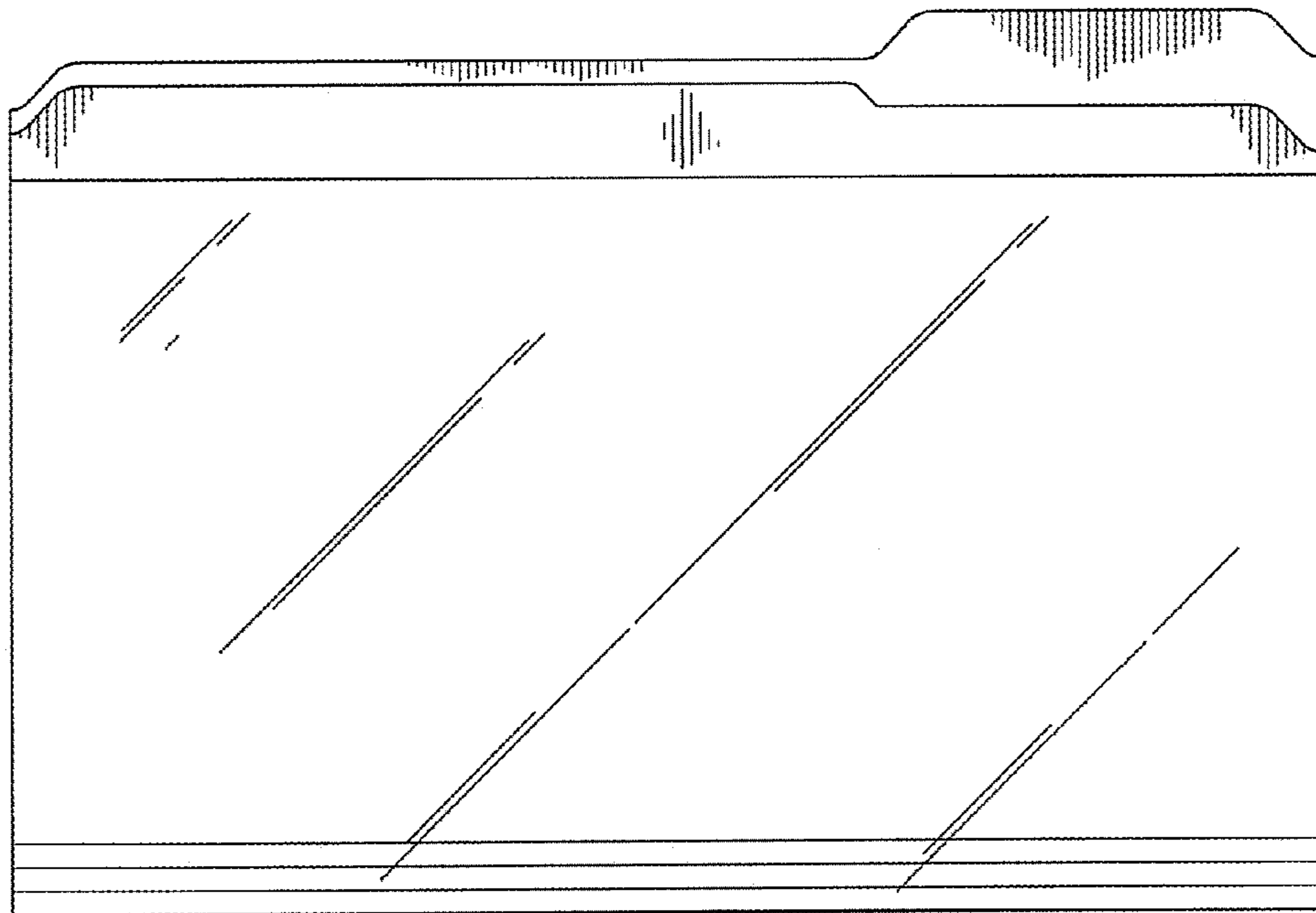


FIG. 42

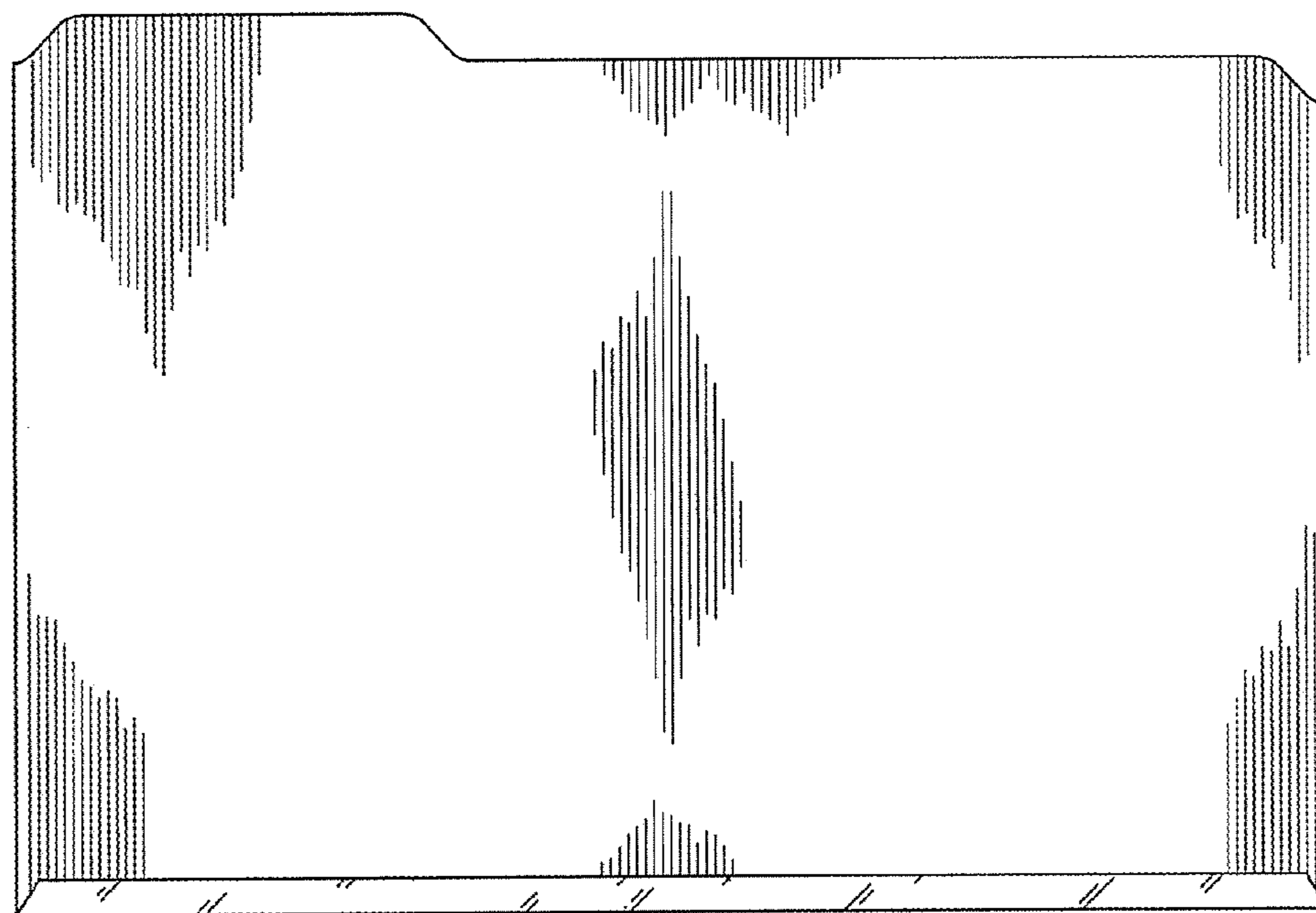


FIG. 43



FIG. 44

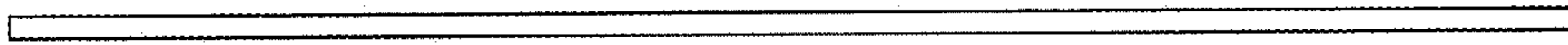


FIG. 45



FIG. 46



FIG. 47

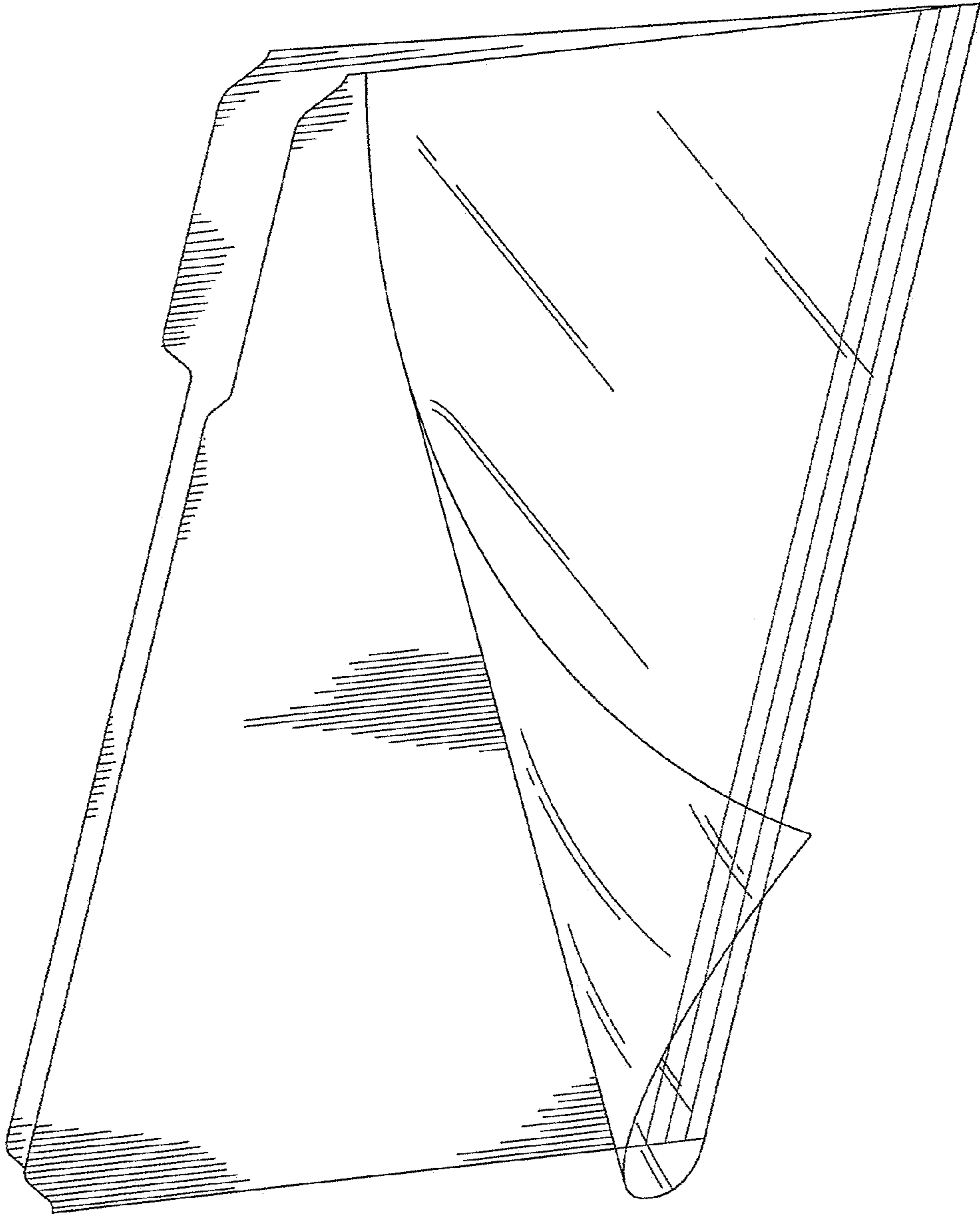


FIG. 48