



US00D719212S

(12) **United States Design Patent**  
**Dennis**

(10) **Patent No.:** **US D719,212 S**  
(45) **Date of Patent:** **\*\* Dec. 9, 2014**

(54) **MUSICAL INSTRUMENT VIBRATO MOUNTING ADAPTER PLATE**

(75) Inventor: **Terrance Dennis**, Ringoes, NJ (US)

(73) Assignee: **U.E. Corp.**, Ringoes, NJ (US)

(\*\*) Term: **14 Years**

(21) Appl. No.: **29/425,614**

(22) Filed: **Jun. 25, 2012**

(51) **LOC (10) Cl.** ..... **17-03**

(52) **U.S. Cl.**  
USPC ..... **D17/21**

(58) **Field of Classification Search**  
USPC ..... D17/14, 18, 19, 20, 21, 99; 84/267, 84/268, 290, 291, 292, 293, 297 R, 298, 84/304, 307, 314 R, 314 N, 453, 327  
See application file for complete search history.

(56) **References Cited**

**U.S. PATENT DOCUMENTS**

D170,109 S *	8/1953	Bigsby	.....	D17/21
D200,436 S *	2/1965	Burns	.....	D17/21
D261,527 S *	10/1981	Carson	.....	D17/21
4,610,190 A *	9/1986	Maloney	.....	84/312 R
D304,341 S *	10/1989	Gressett et al.	.....	D17/21
D309,746 S *	8/1990	Gressett et al.	.....	D17/21
D605,687 S *	12/2009	Dennis	.....	D17/21
7,709,713 B1 *	5/2010	Pearce et al.	.....	84/313

7,812,232 B2	10/2010	Dennis	
8,071,868 B2	12/2011	Dennis	
8,163,987 B1	4/2012	Dennis	
8,816,177 B2 *	8/2014	Goto	..... 84/307
2008/0141843 A1	6/2008	Thompson	
2010/0011936 A1 *	1/2010	Dennis	..... 84/313
2010/0319514 A1 *	12/2010	Aires	..... 84/298
2013/0239771 A1 *	9/2013	Kernick	..... 84/313
2013/0255468 A1 *	10/2013	Miller et al.	..... 84/313

\* cited by examiner

*Primary Examiner* — Rashida Johnson

(74) *Attorney, Agent, or Firm* — Lawrence Lambelet

(57) **CLAIM**

The ornamental design for a musical instrument vibrato mounting adapter plate, as shown and described.

**DESCRIPTION**

FIG. 1 is an exploded perspective view of a vibrato mounting adapter plate showing the vibrato and strap screw in broken line;

FIG. 2 is a plan view of the assembly comprising a vibrato plate and a bridge plate;

FIG. 3 is a top view of the bridge plate;

FIG. 4 is a plan view of the bridge plate;

FIG. 5 is an elevation view of the bridge plate;

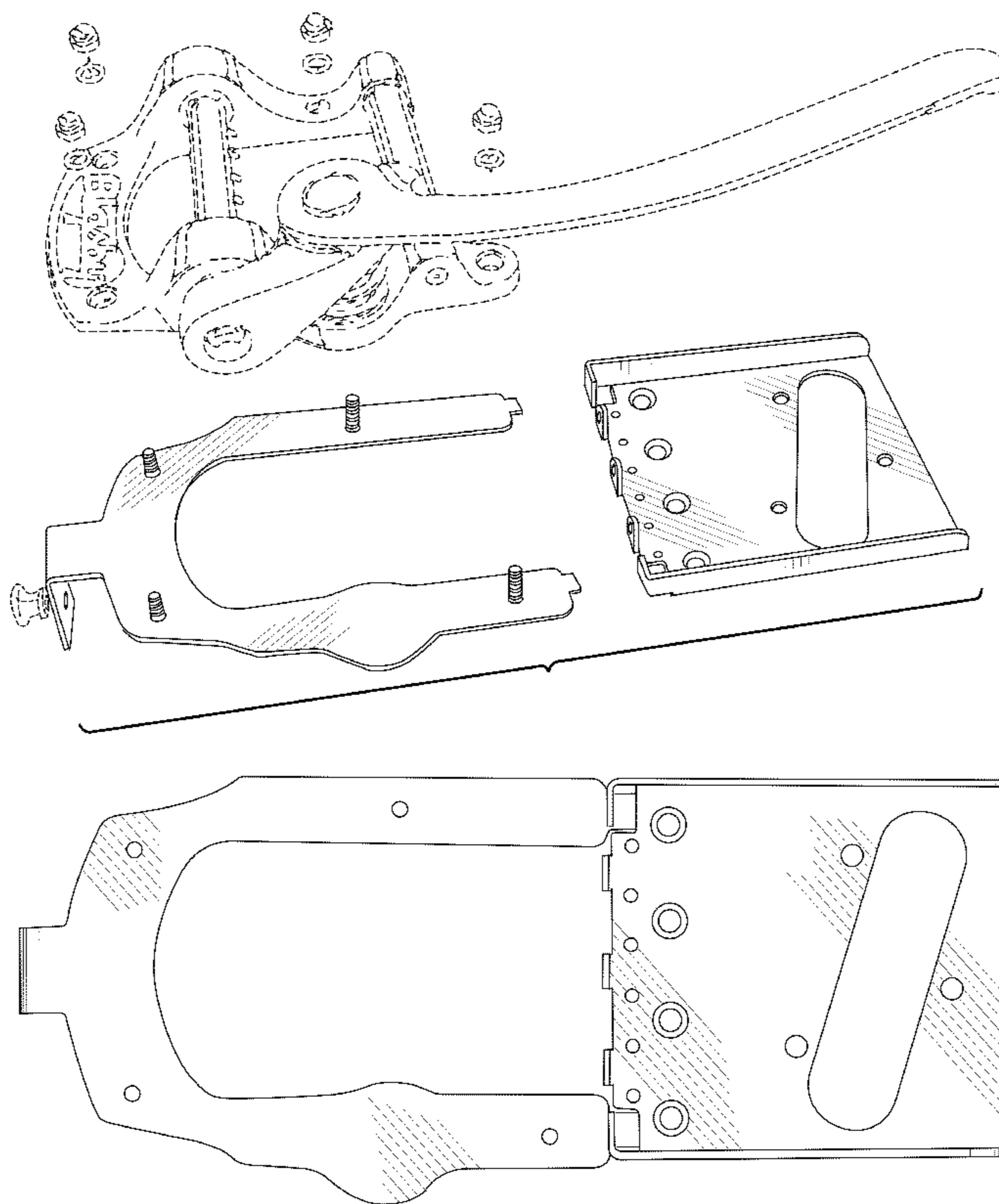
FIG. 6 is a plan view of the vibrato plate;

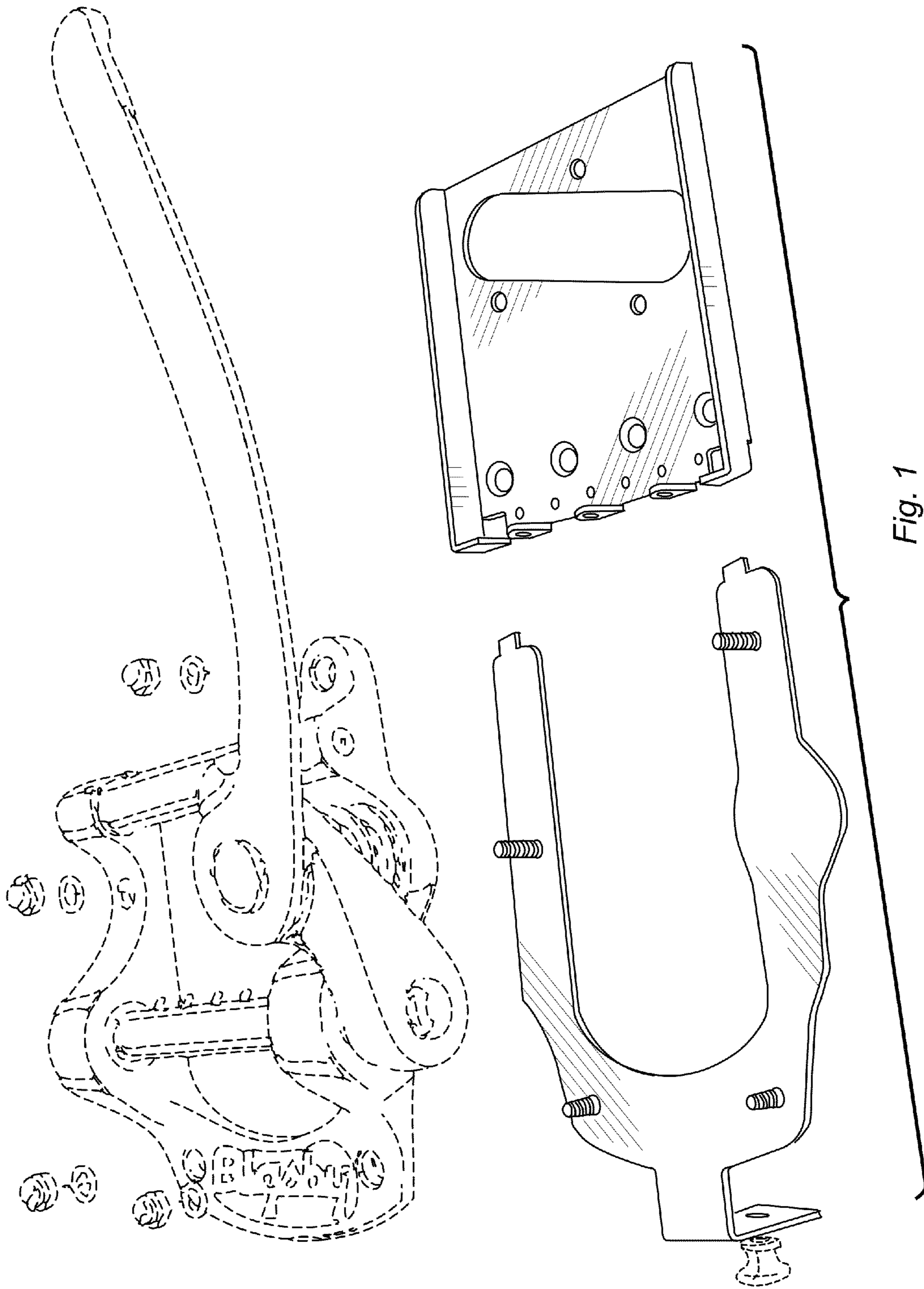
FIG. 7 is an elevation view of the vibrato plate; and,

FIG. 8 is a bottom view of the vibrato plate.

The broken lines in FIG. 1 illustrate environmental matter that forms no part of the claimed design.

**1 Claim, 4 Drawing Sheets**





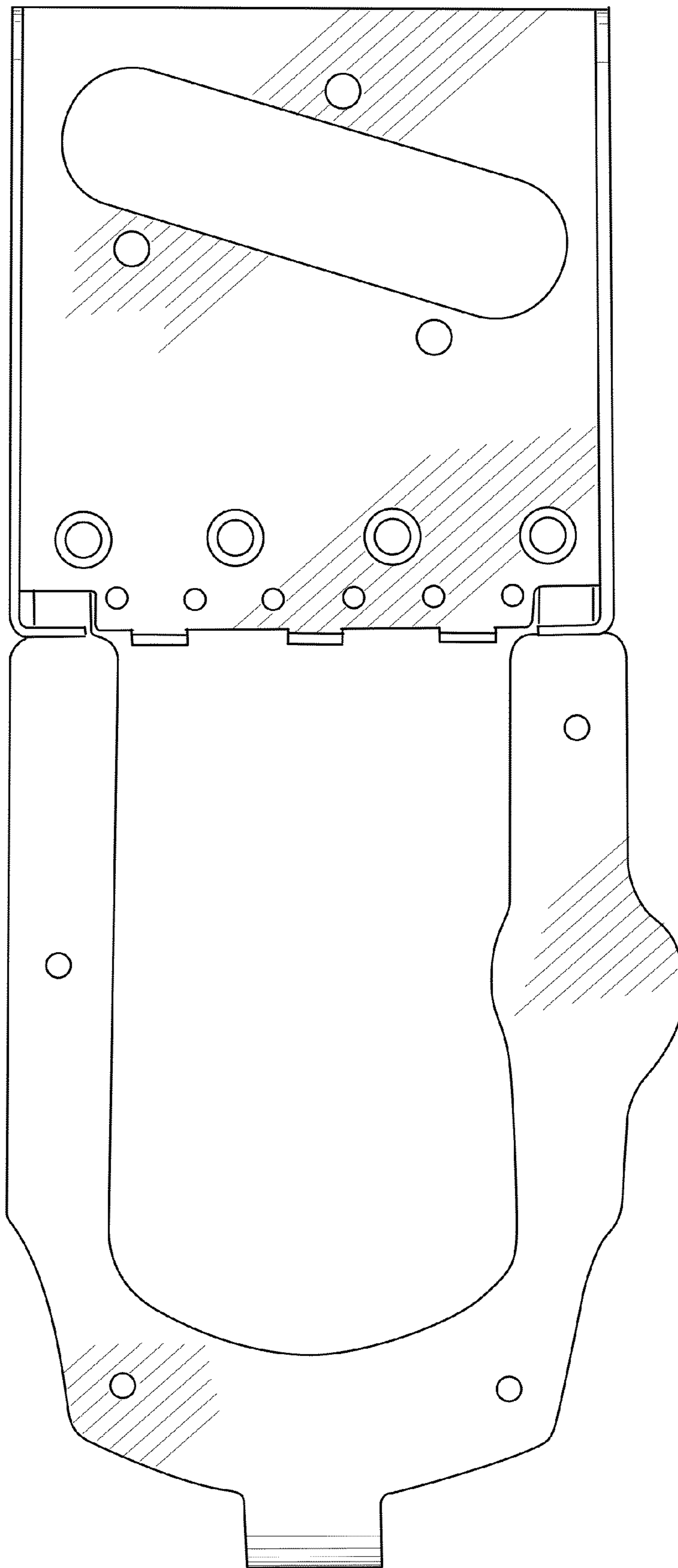


Fig. 2

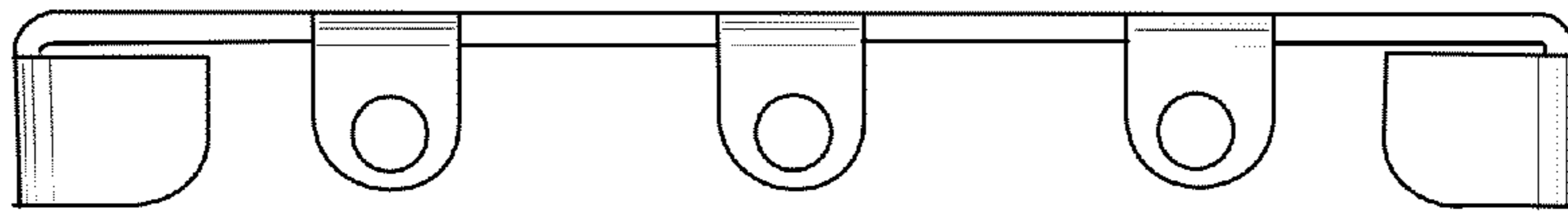


Fig. 3

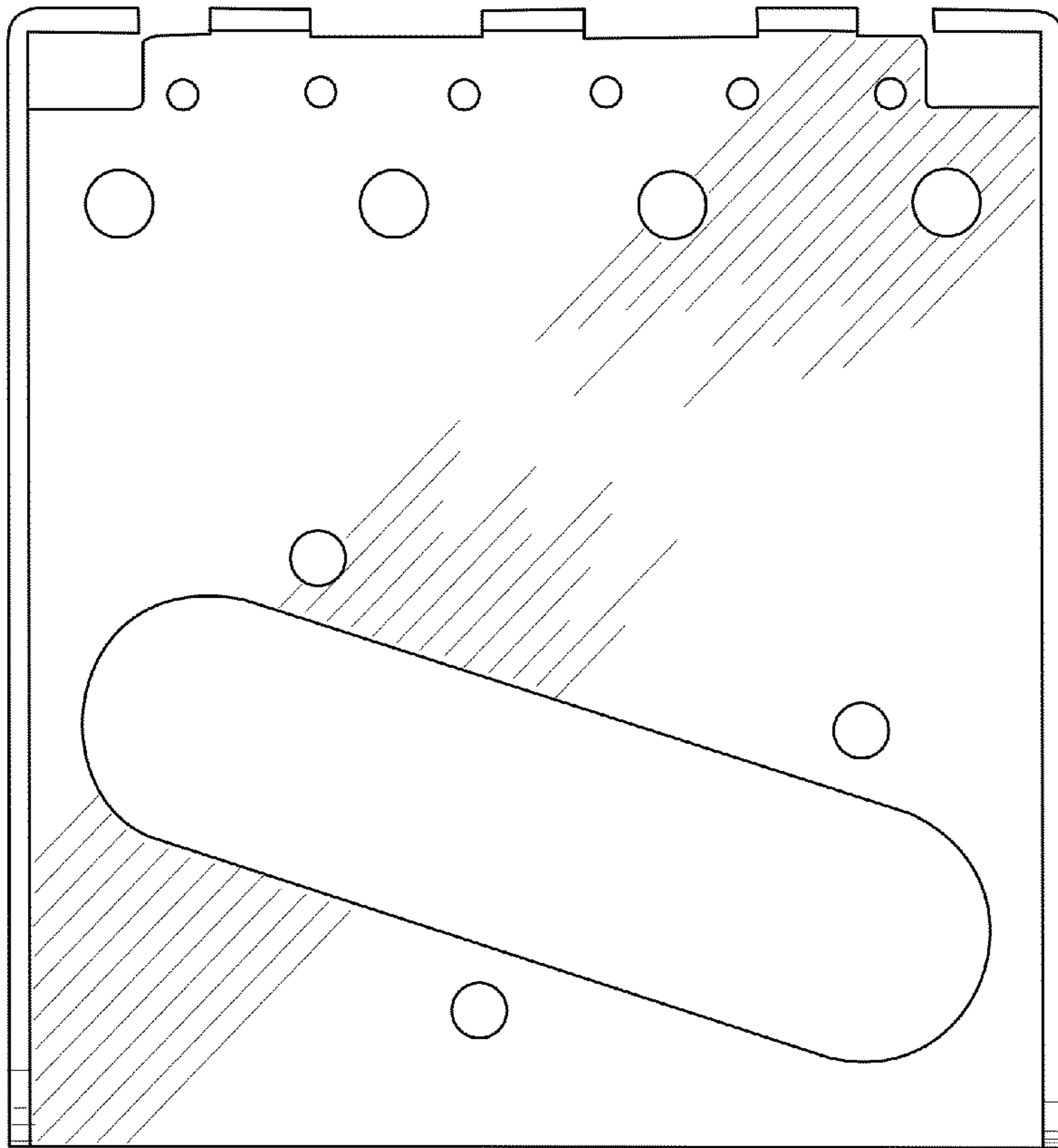


Fig. 4



Fig. 5



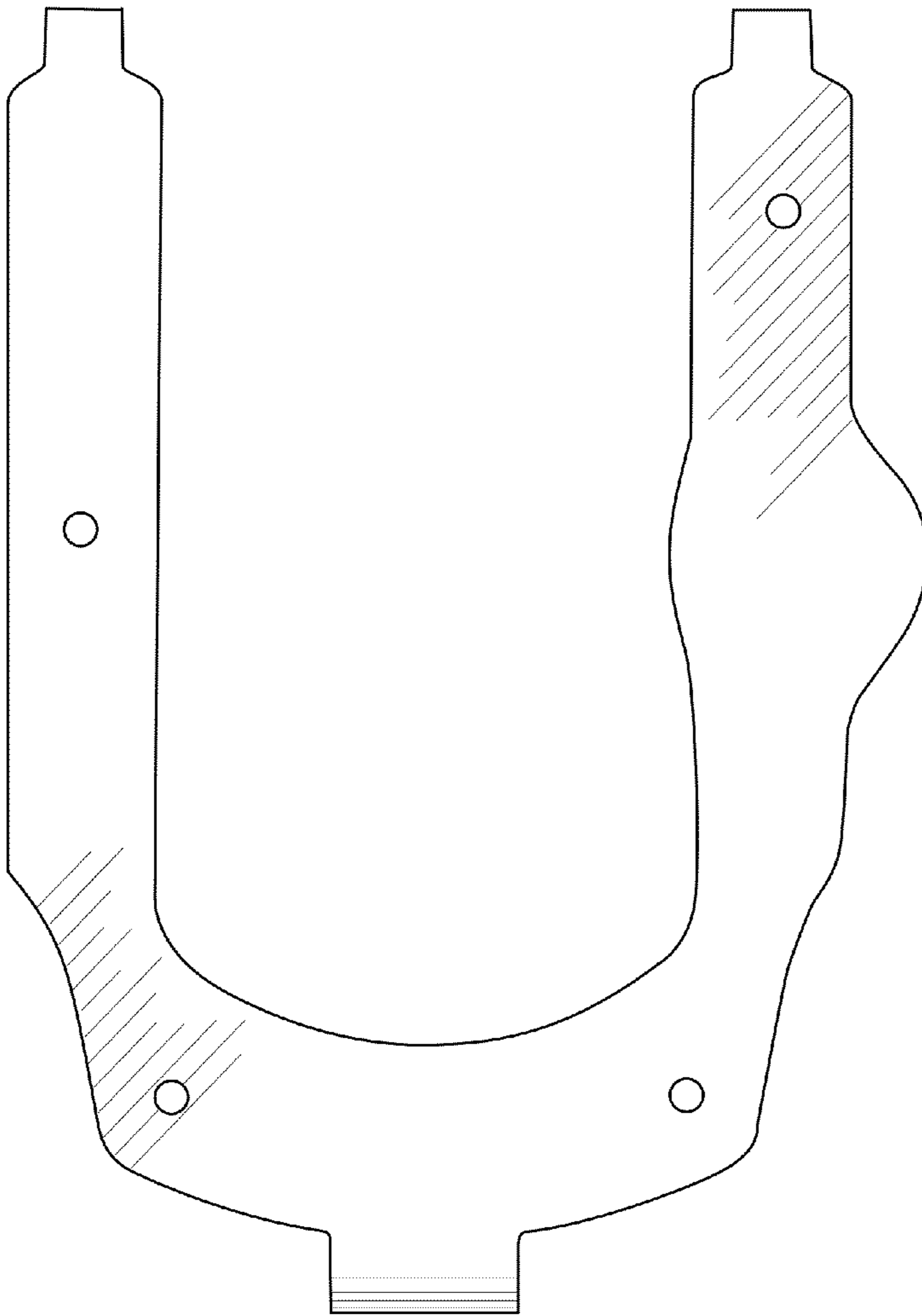


Fig. 6

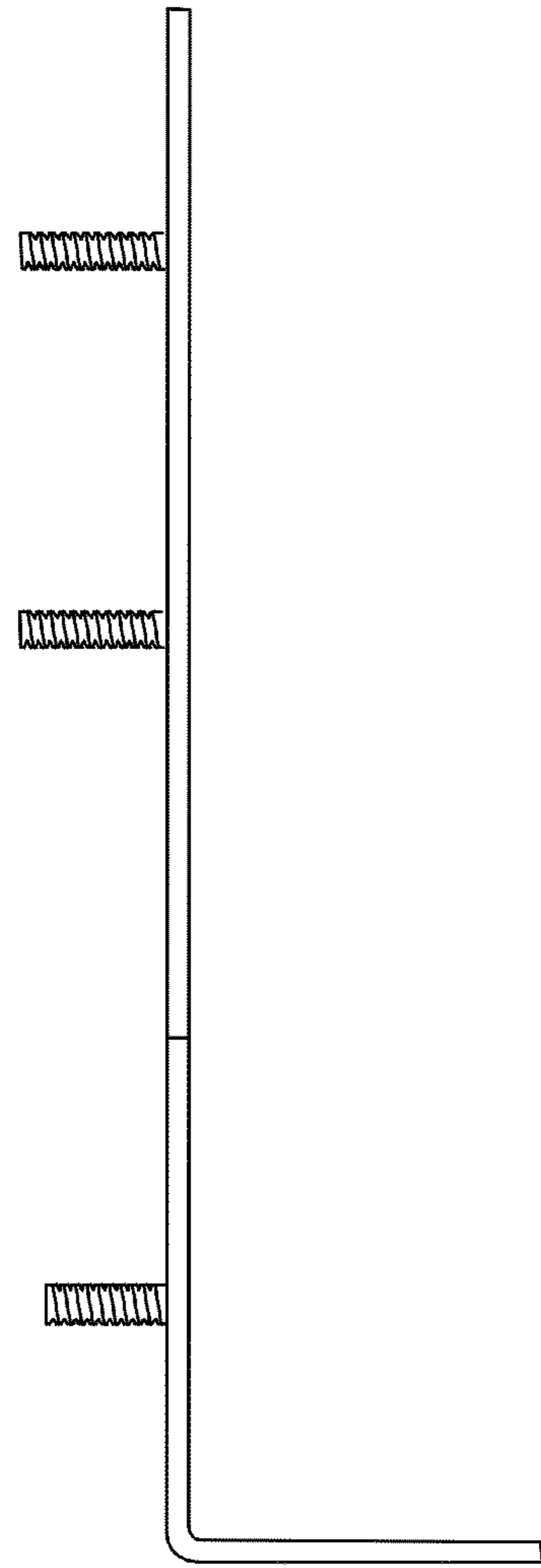


Fig. 7

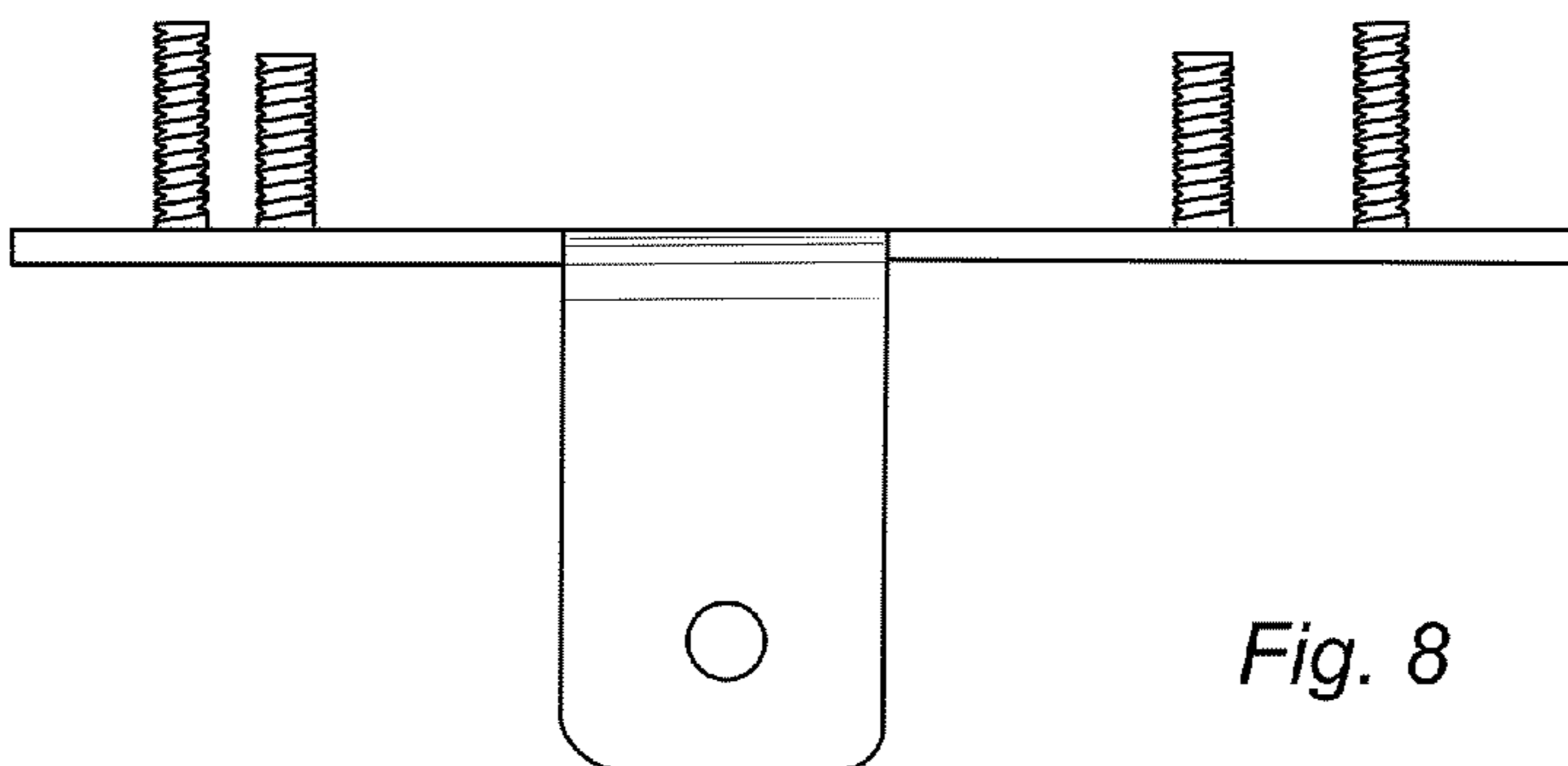


Fig. 8