



US00D719211S

(12) **United States Design Patent**
Sawada et al.

(10) **Patent No.:** **US D719,211 S**
(45) **Date of Patent:** **** Dec. 9, 2014**

- (54) **ELECTRIC PIANO**
- (71) Applicant: **Roland Corporation**, Shizuoka (JP)
- (72) Inventors: **Shigeru Sawada**, Shizuoka (JP);
Fumihiko Miura, Shizuoka (JP)
- (73) Assignee: **Roland Corporation**, Shizuoka (JP)
- (**) Term: **14 Years**
- (21) Appl. No.: **29/470,674**
- (22) Filed: **Oct. 24, 2013**
- (51) **LOC (10) Cl.** **17-04**
- (52) **U.S. Cl.**
USPC **D17/1**
- (58) **Field of Classification Search**
USPC D17/1, 4, 7, 9, 99; 84/13, 178, 190,
84/423 R
See application file for complete search history.

- D566,164 S * 4/2008 Sato et al. D17/1
- D571,848 S * 6/2008 Sato D17/1
- D668,287 S * 10/2012 Kitazawa D17/1
- D668,710 S * 10/2012 Okamura et al. D17/1
- D669,116 S * 10/2012 Fukuoka et al. D17/9
- D696,715 S * 12/2013 Sato et al. D17/1

* cited by examiner

Primary Examiner — Rashida Johnson
(74) *Attorney, Agent, or Firm* — Jianq Chyun IP Office

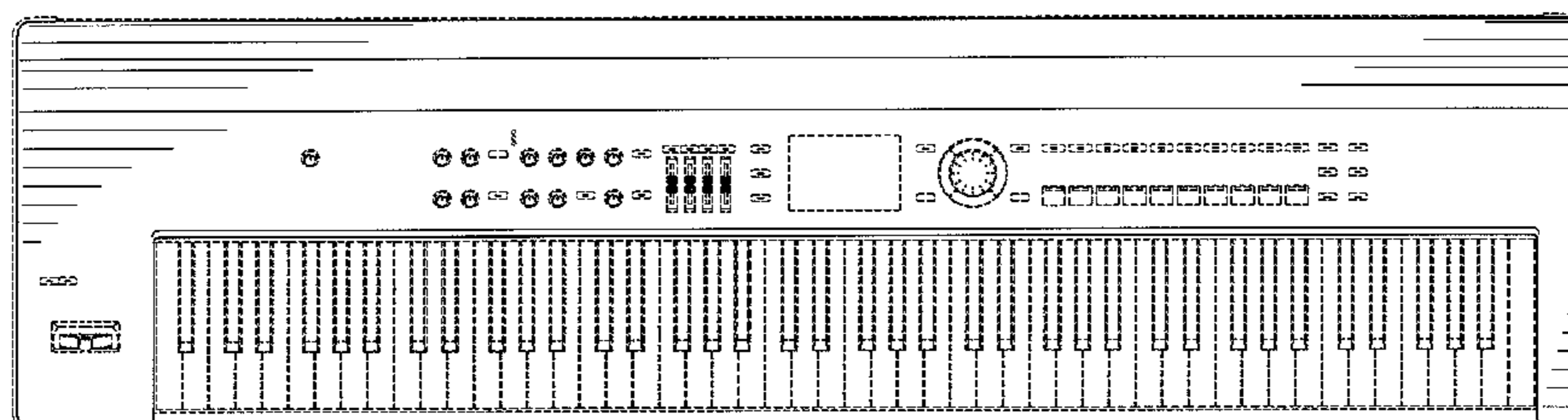
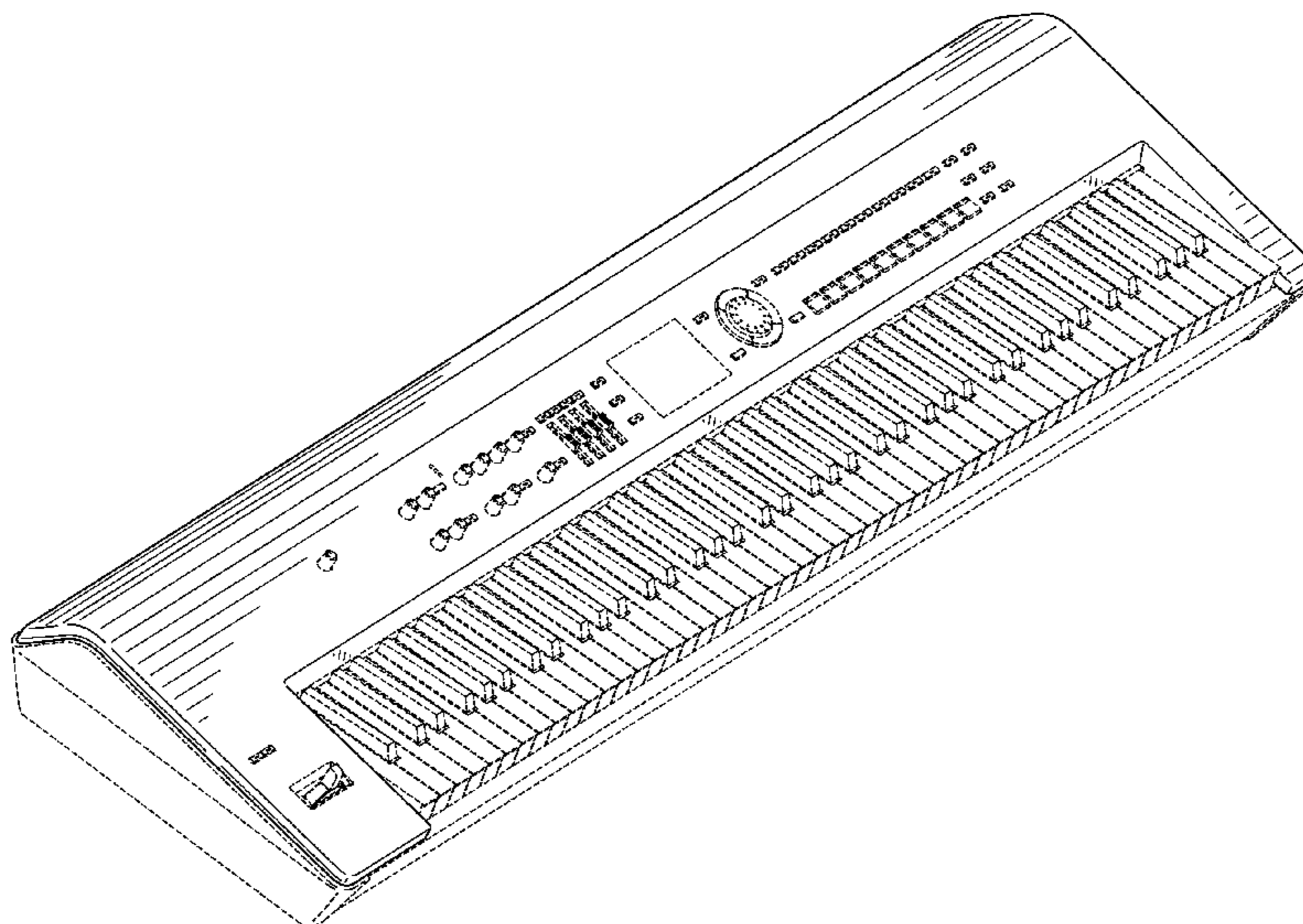
(57) **CLAIM**
The ornamental design for an electric piano, as shown and described.

DESCRIPTION

FIG. 1 is a perspective view of an electric piano showing our new design;
FIG. 2 is a front view thereof;
FIG. 3 is a left side view thereof;
FIG. 4 is a right side view thereof;
FIG. 5 is a top view thereof; and,
FIG. 6 is a bottom view thereof.
The broken line portions of the electric piano in FIGS. 1-6 represent unclaimed portions of the claimed design and form no part thereof.

1 Claim, 4 Drawing Sheets

- (56) **References Cited**
U.S. PATENT DOCUMENTS
D369,175 S * 4/1996 Nakada D17/1
D400,910 S * 11/1998 Mikage D17/1
D425,105 S * 5/2000 Saito D17/1
D507,291 S * 7/2005 Okamura D17/1



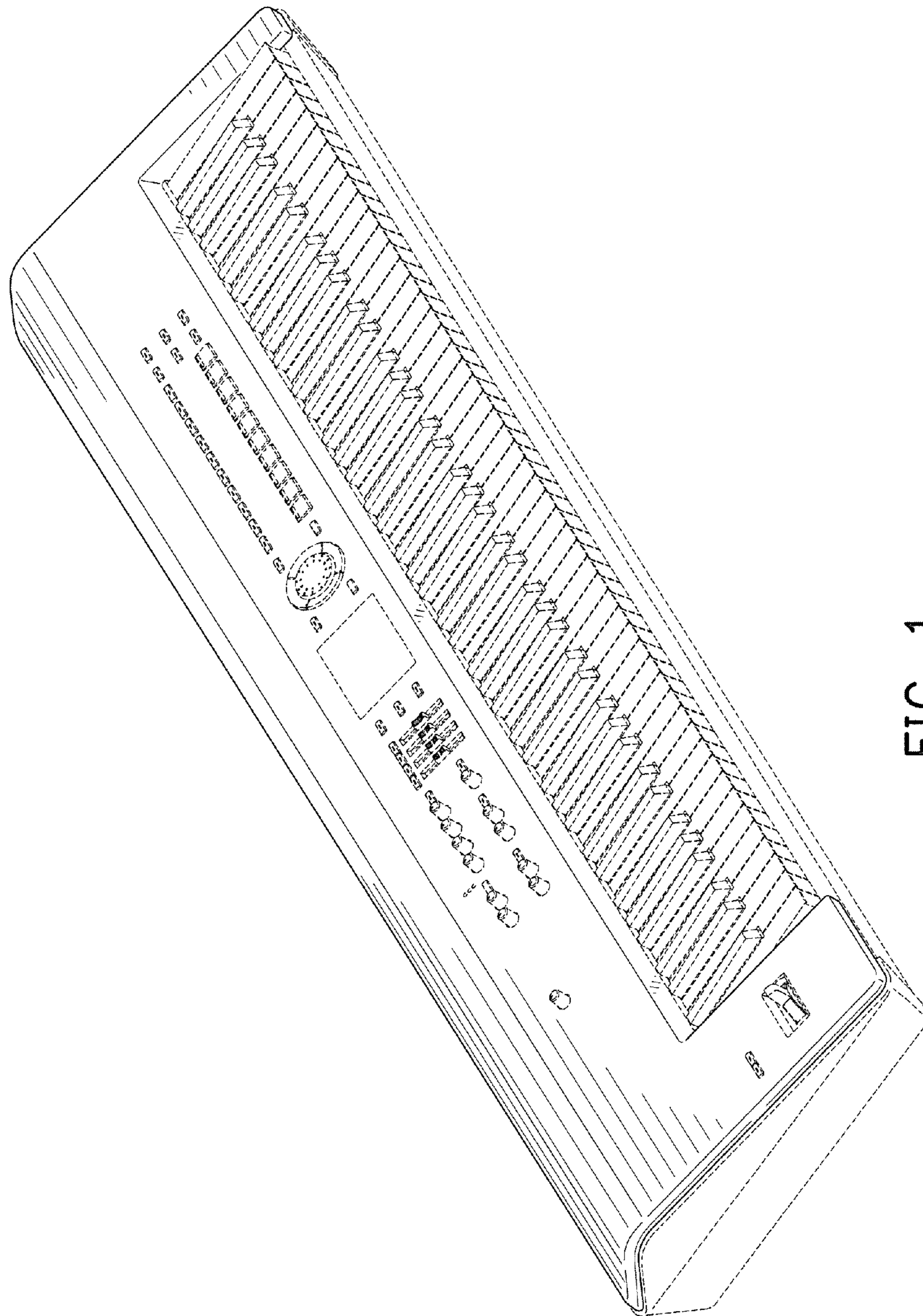


FIG. 1

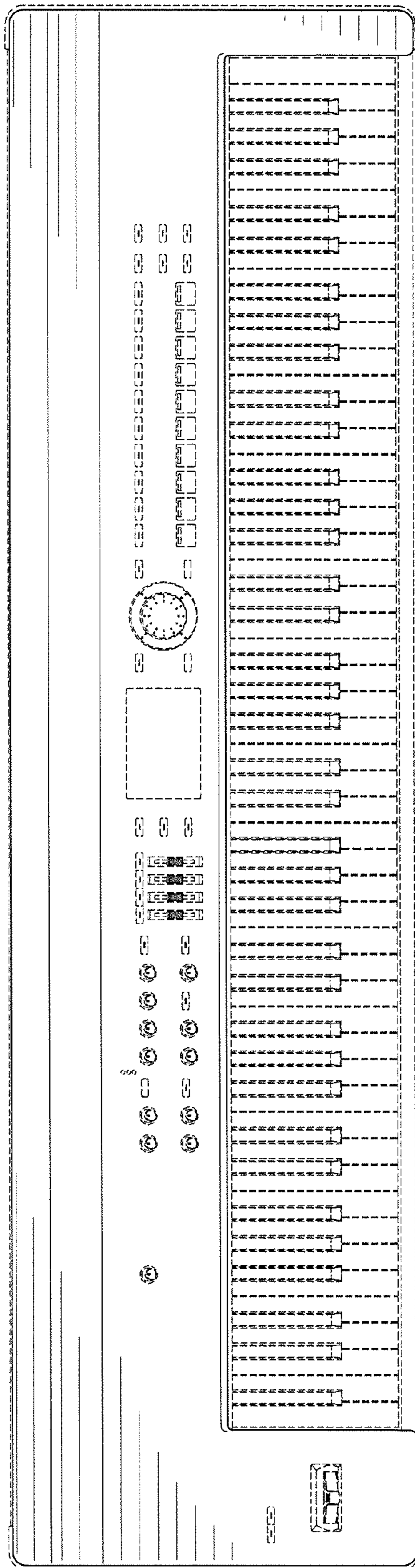


FIG. 2

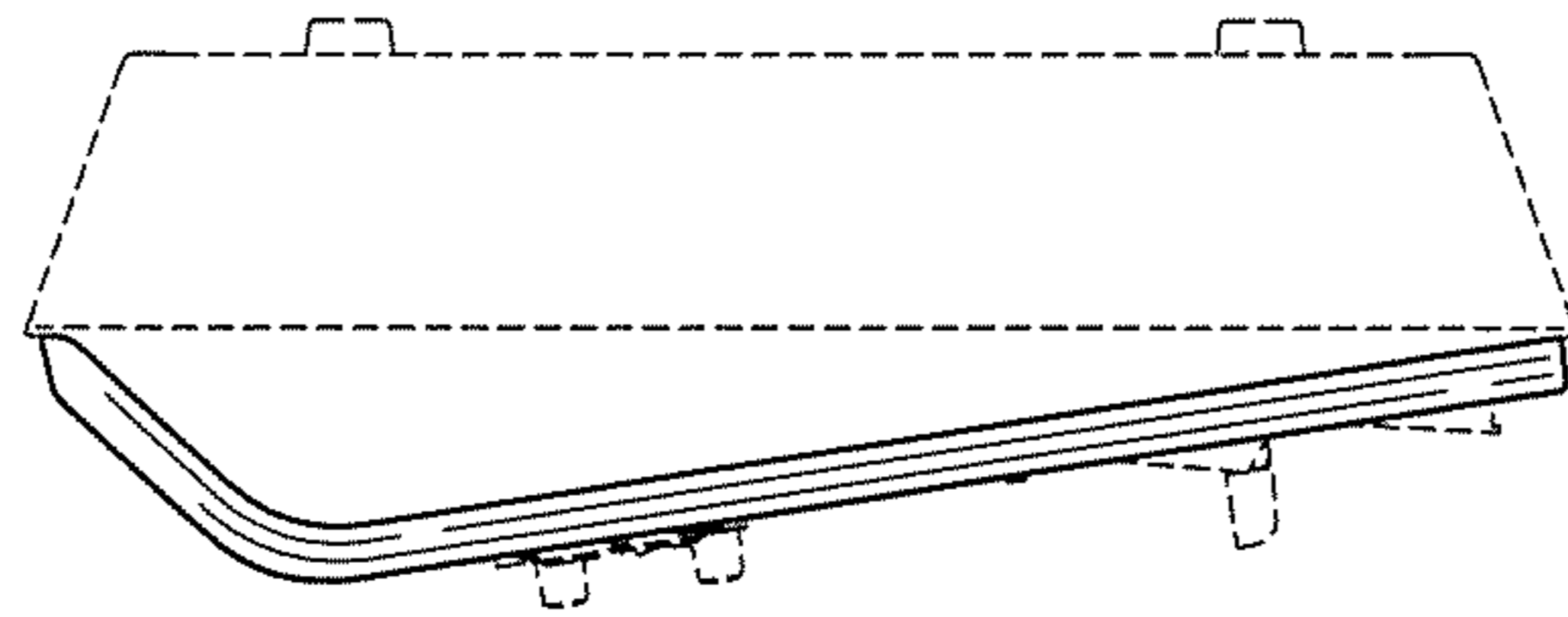


FIG. 4

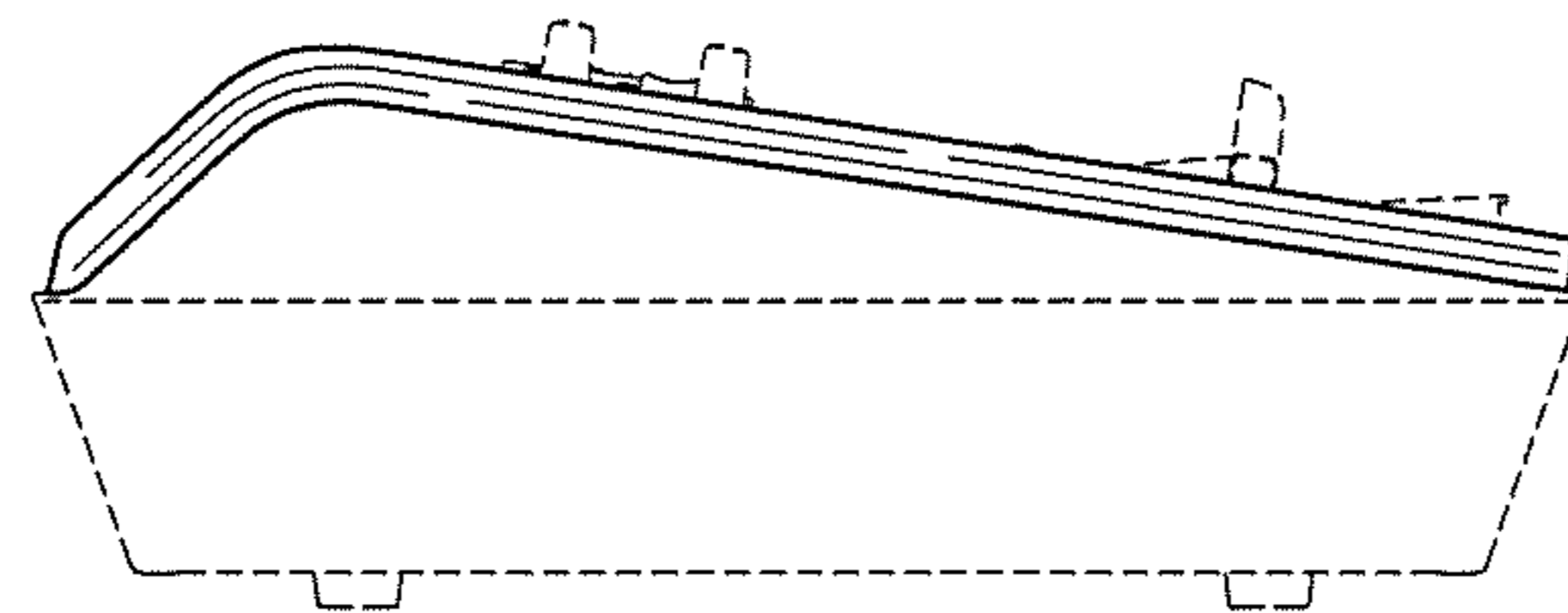


FIG. 3

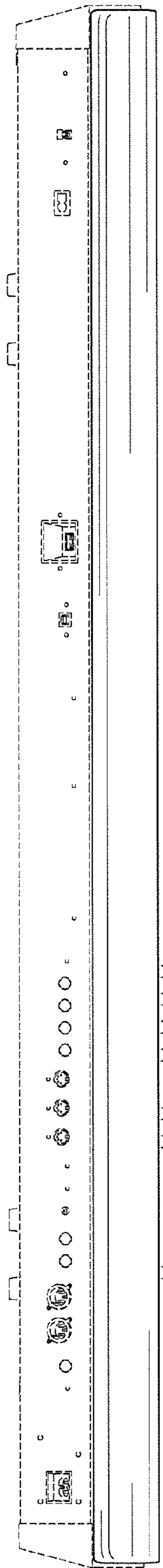


FIG. 5

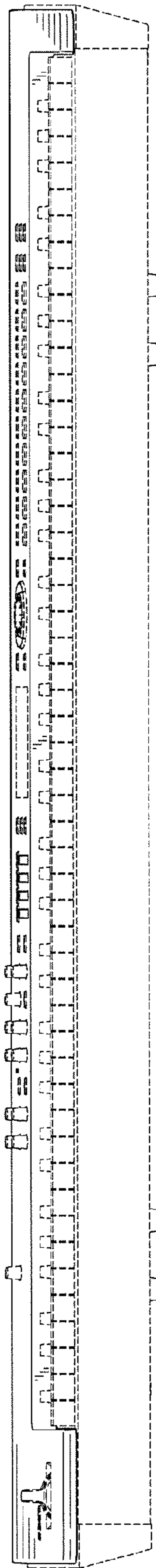


FIG. 6