



US00D719208S

(12) **United States Design Patent**
Mohan

(10) **Patent No.:** **US D719,208 S**
(45) **Date of Patent:** **** Dec. 9, 2014**

(54) **ENCLOSURE FOR A SPHERICAL CAMERA**

FOREIGN PATENT DOCUMENTS

(71) Applicant: **Avigilon Corporation**, Vancouver (CA)

JP 2005-157681 A 6/2005
WO PCT/CA2013/050334 4/2013

(72) Inventor: **Sudeep Mohan**, Vancouver (CA)

OTHER PUBLICATIONS

(73) Assignee: **Avigilon Corporation**, Vancouver (CA)

1 MP HD Micro Dome. [online] Retrieved Jul. 24, 2014 from URL: <<http://avigilon.com/products/video-surveillance/cameras/hd-micro-dome/hd-micro-dome-cameras/1-mp-hd-micro-dome/>>.*
Axis Communications, "Axis P12 Network Camera Series", data sheet; 4 pages.
Mobotix Corp., S14 FlexMount Camera, instruction manual; 36 pages.

(**) Term: **14 Years**

(21) Appl. No.: **29/488,371**

(22) Filed: **Apr. 17, 2014**

(Continued)

Related U.S. Application Data

(63) Continuation-in-part of application No. 29/470,179, filed on Oct. 17, 2013, which is a continuation-in-part of application No. 13/874,279, filed on Apr. 30, 2013, application No. 29/488,371, which is a continuation-in-part of application No. 29/470,181, filed on Oct. 17, 2013, which is a continuation-in-part of application No. 13/874,279, filed on Apr. 30, 2013, application No. 29/488,371, which is a continuation-in-part of application No. 13/874,279, filed on Apr. 30, 2013.

Primary Examiner — Susan Bennett Hattan

Assistant Examiner — Vy Koenig

(74) *Attorney, Agent, or Firm* — Klarquist Sparkman, LLP

(51) **LOC (10) Cl.** **16-05**

(52) **U.S. Cl.**

USPC **D16/237**; D16/203

(58) **Field of Classification Search**

CPC G03B 17/561–17/568; G03B

15/041–15/0436; G03B 21/20–21/2066

USPC D16/203, 205, 206, 211, 214, 218–220,

D16/237–250, 302, 303; D19/9–10;

D14/448–450; D8/354, 394–396

See application file for complete search history.

(57)

CLAIM

I claim the ornamental design for an enclosure for a spherical camera, as shown and described.

DESCRIPTION

FIG. 1 is a front perspective view of an enclosure for a spherical security camera;

FIG. 2 is a top plan view of the enclosure for a spherical security camera of FIG. 1;

FIG. 3 is a front elevation view of the enclosure for a spherical security camera of FIG. 1;

FIG. 4 is a right side elevation view of the enclosure for a spherical security camera of FIG. 1;

FIG. 5 is a bottom plan view of the enclosure for a spherical security camera of FIG. 1;

FIG. 6 is a rear elevation view of the enclosure for a spherical security camera of FIG. 1; and

FIG. 7 is a left side elevation view of the enclosure for a spherical security camera of FIG. 1.

The broken lines represent portions of the enclosure for a spherical security camera that form no part of the claimed design.

(56) **References Cited**

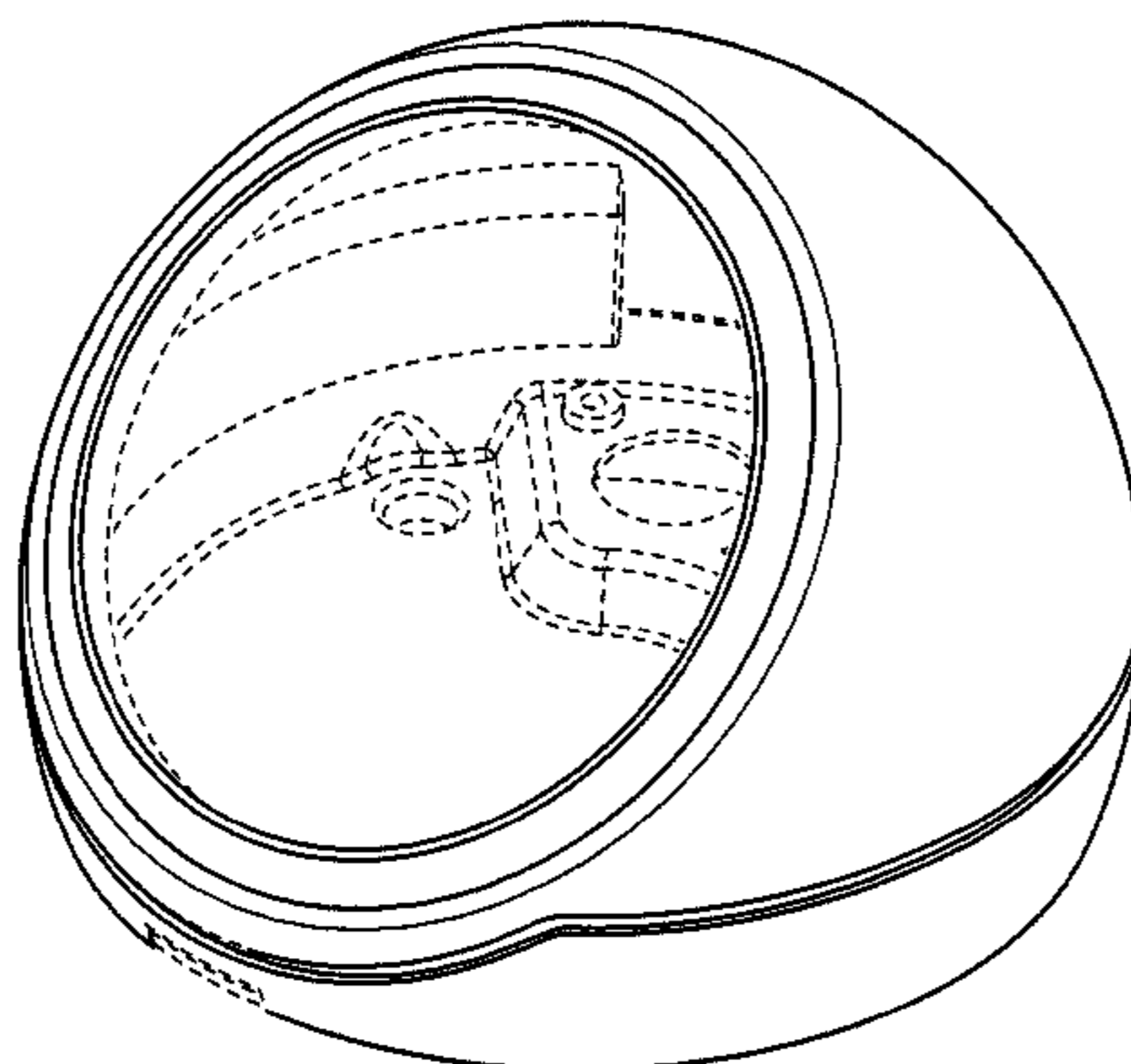
U.S. PATENT DOCUMENTS

4,746,990 A 5/1988 Katoh et al.

D399,517 S * 10/1998 Hasegawa D16/203

(Continued)

1 Claim, 4 Drawing Sheets



(56)

References Cited

U.S. PATENT DOCUMENTS

6,392,698 B1 5/2002 Yokoyama
D473,888 S * 4/2003 Jones et al. D16/203
D502,196 S * 2/2005 Miyazaki D16/202
D508,934 S * 8/2005 Nagai D16/203
D547,347 S * 7/2007 Kim D16/203
D552,148 S * 10/2007 Yamakawa et al. D16/219
D629,439 S * 12/2010 Yoshida D16/219
D633,931 S * 3/2011 Ham D16/203
D653,687 S * 2/2012 Yu D16/200
D687,085 S * 7/2013 Manson D16/242
2008/0136915 A1 6/2008 Iwamura
2013/0287385 A1* 10/2013 Andersson 396/427

OTHER PUBLICATIONS

Co-pending U.S. Appl. No. 29/470,181, filed Oct. 17, 2013 and entitled Miniature Dome Camera.
Co-pending U.S. Appl. No. 29/470,179, filed Oct. 17, 2013 and entitled Miniature Dome Camera.
Co-pending U.S. Appl. No. 29/488,370, filed Apr. 17, 2014 and entitled Spherical Security Camera.
Co-pending U.S. Appl. No. 29/488,369, filed Apr. 17, 2014 and entitled Security Camera Processor.
International Search Report and Written Opinion dated Nov. 18, 2013, issued by the Canadian Intellectual Property Office in corresponding International Patent Application No. PCT/CA2013/050334, filed Apr. 30, 2013. This application has not yet published.

* cited by examiner

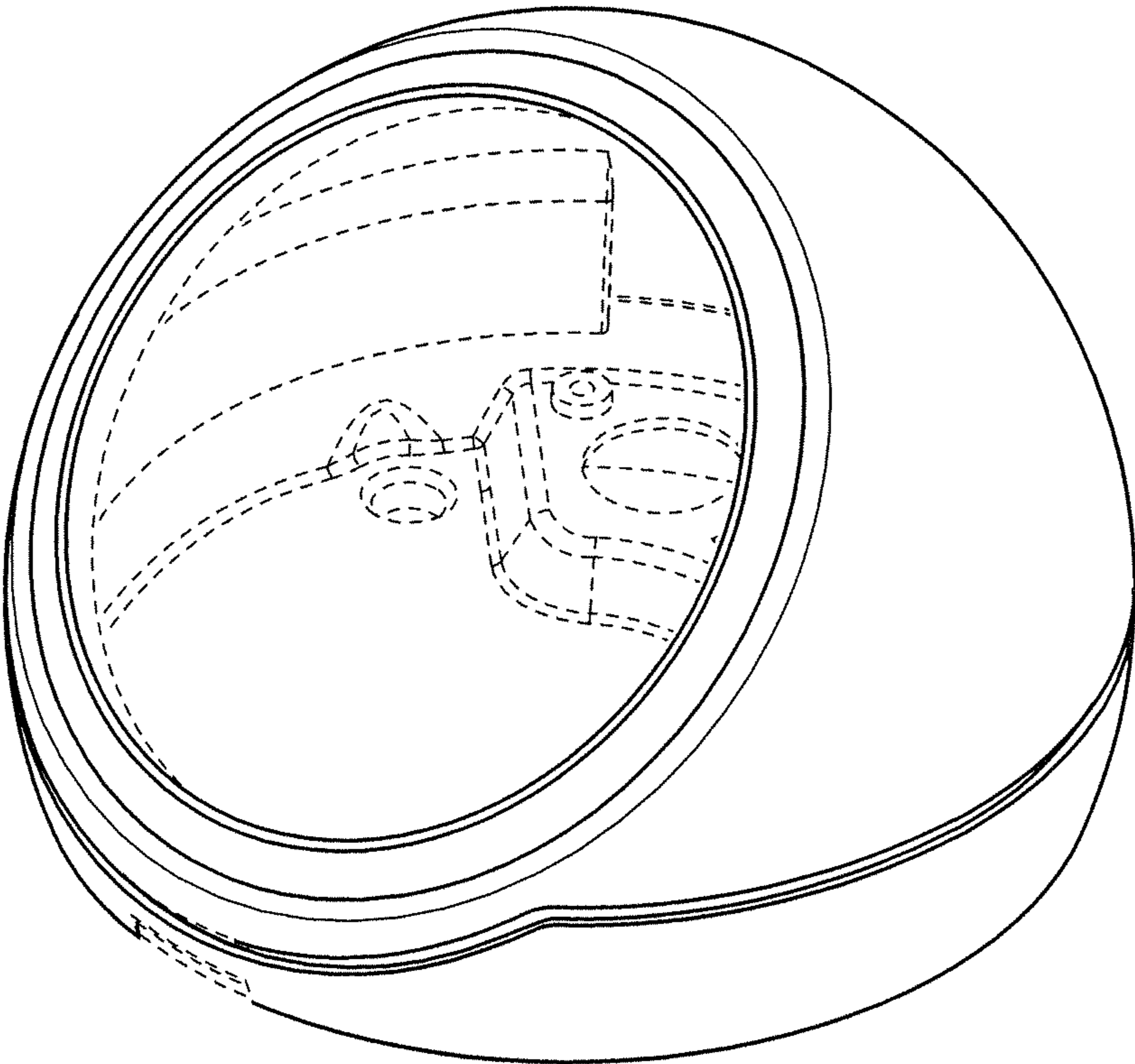


FIG. 1

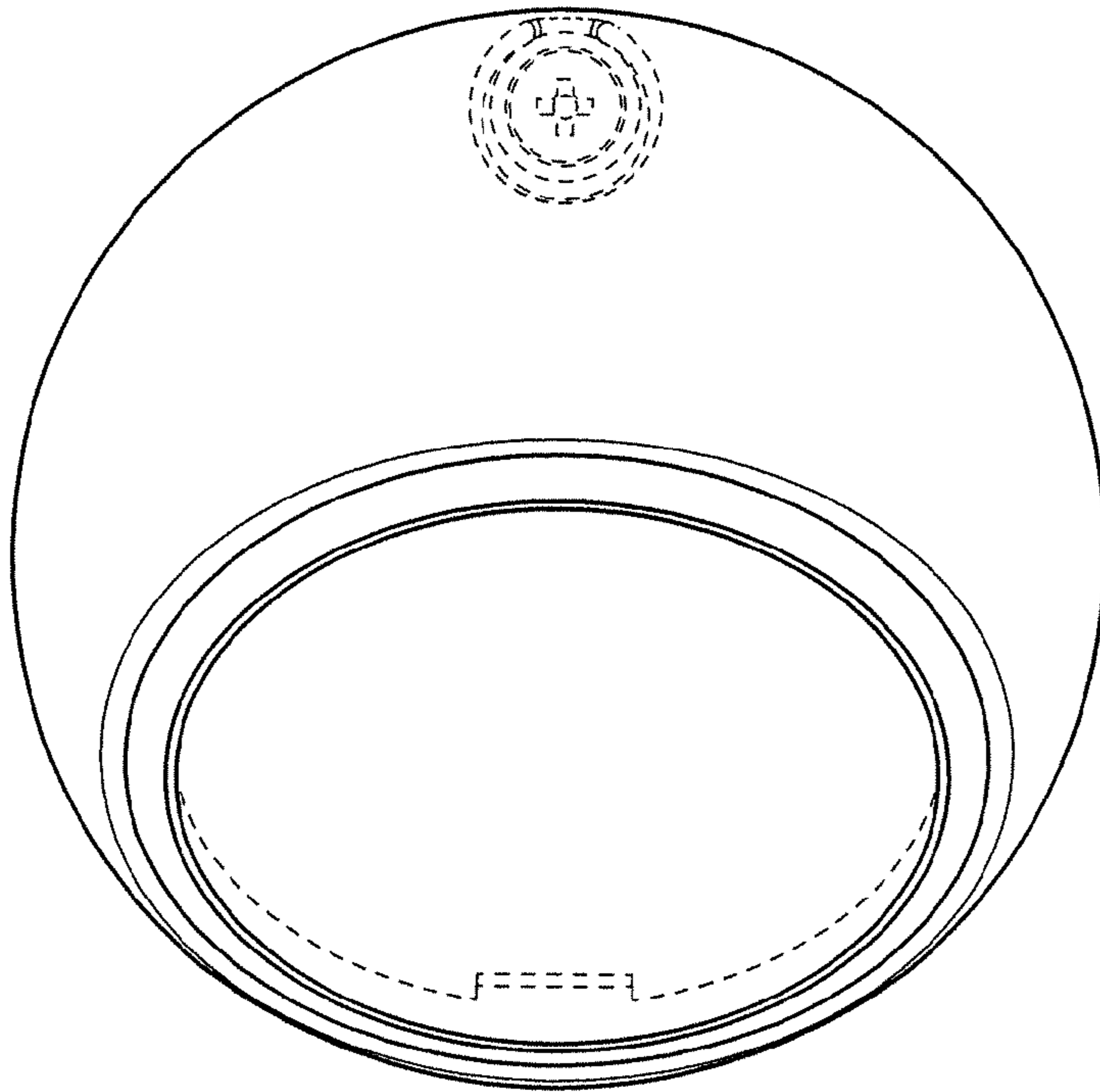


FIG. 2

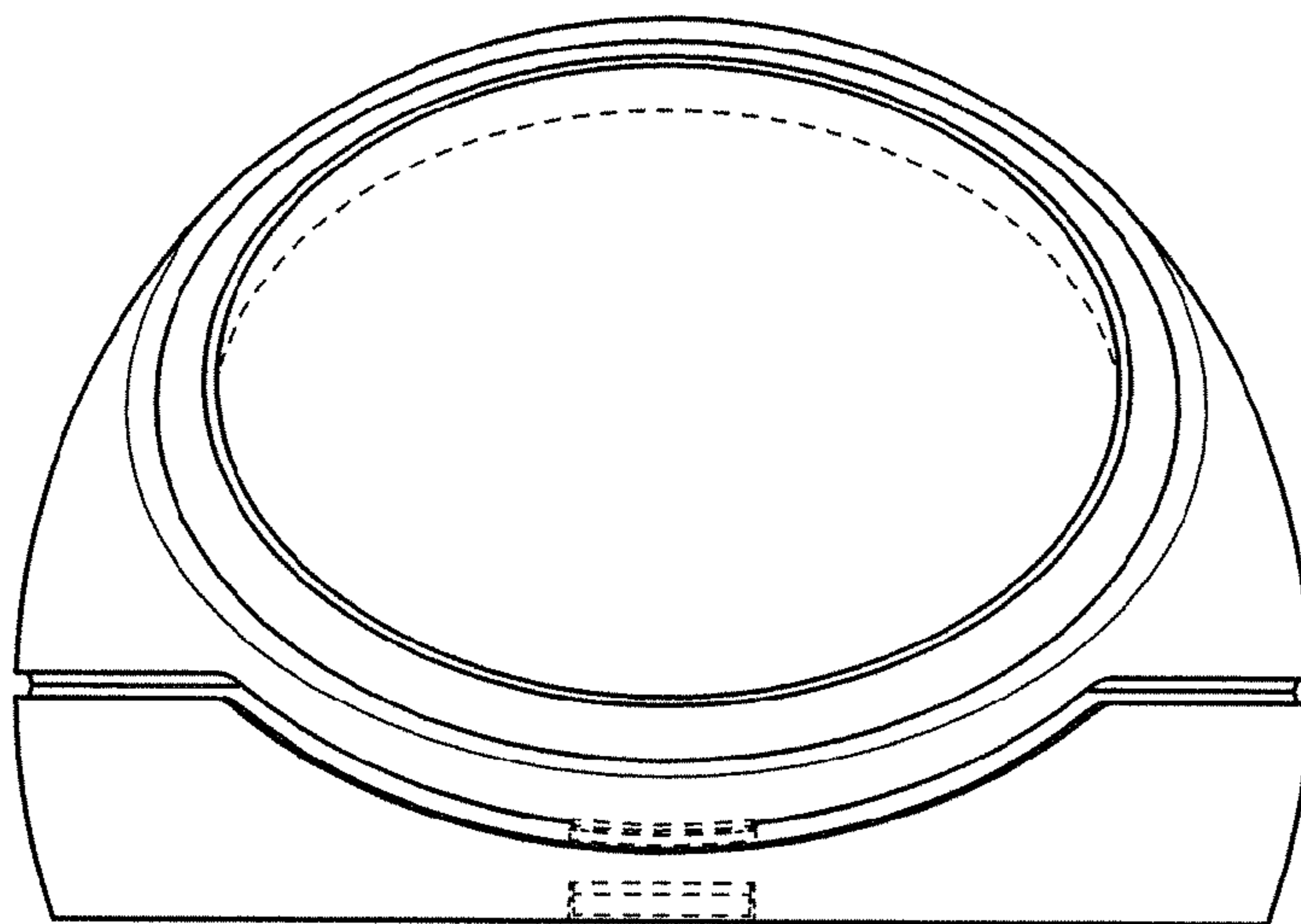


FIG. 3

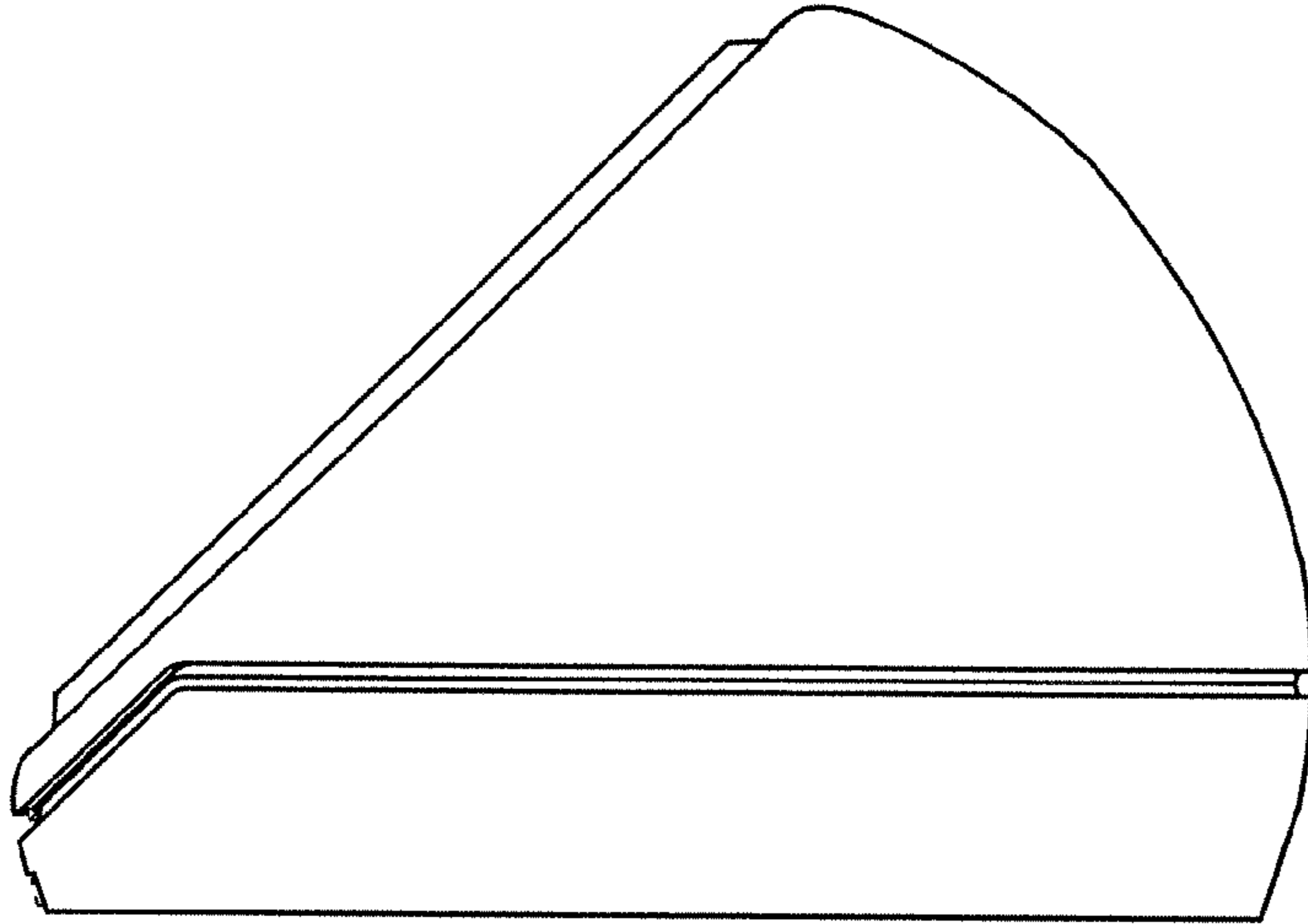


FIG. 4

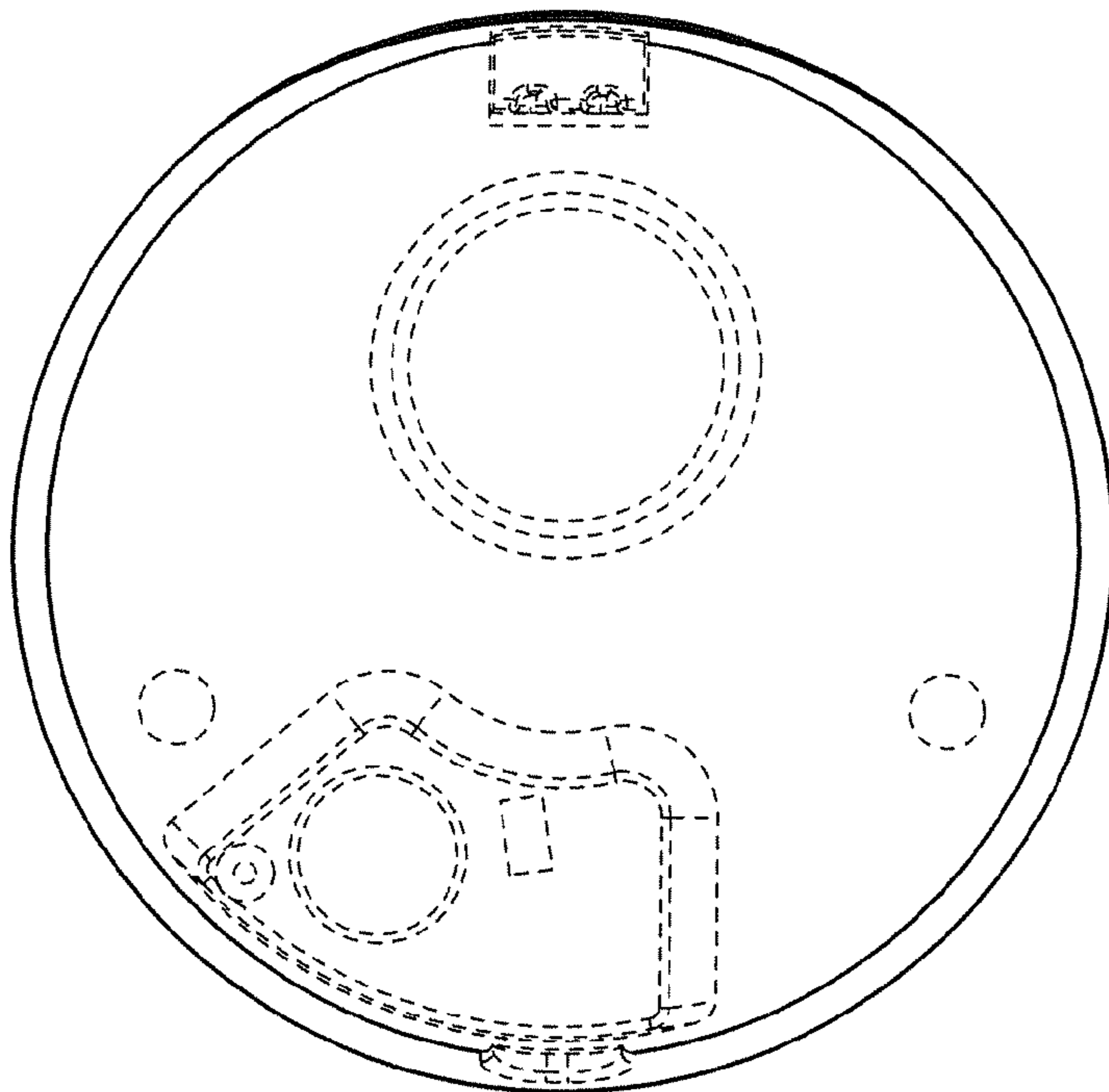


FIG. 5

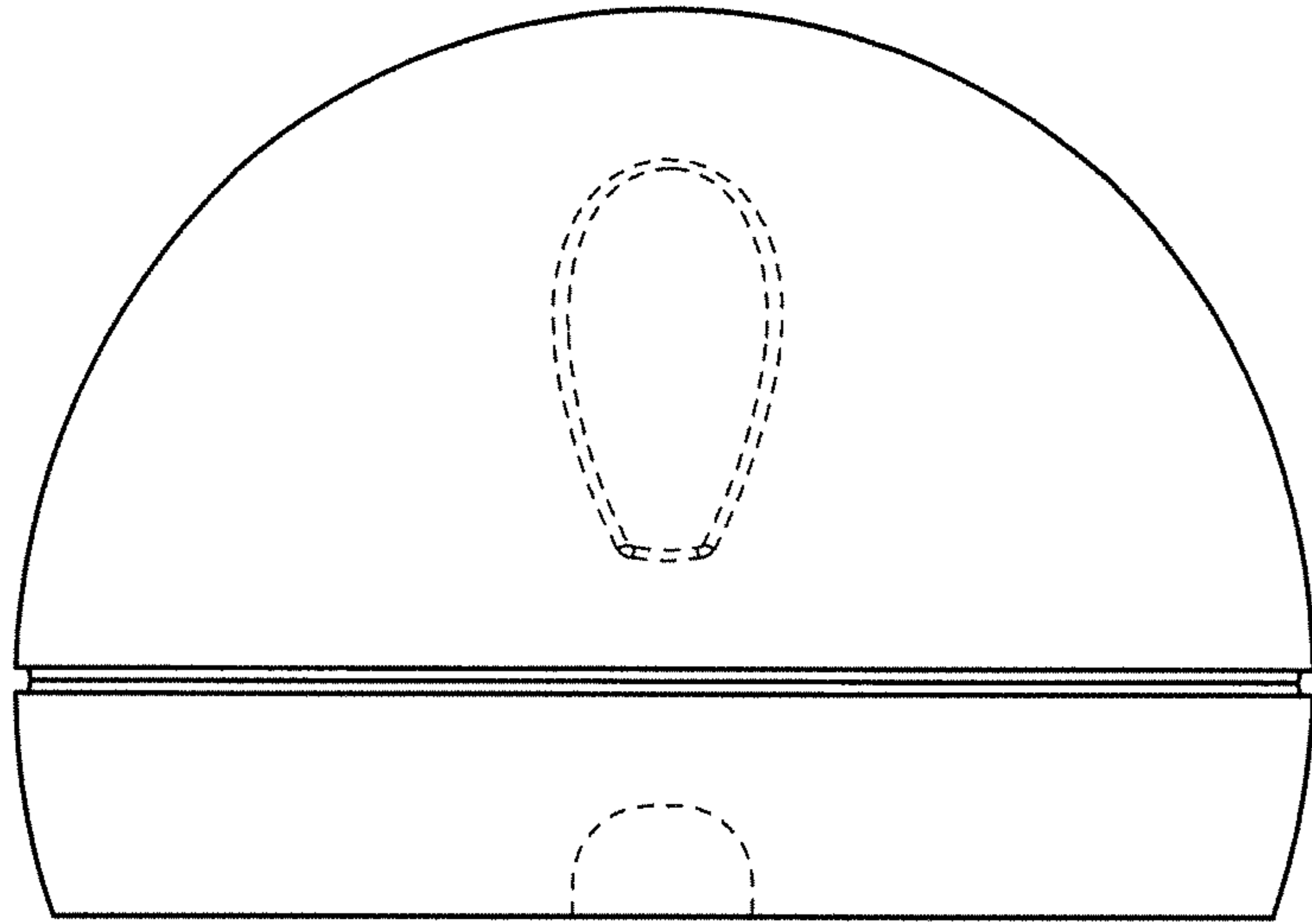


FIG. 6

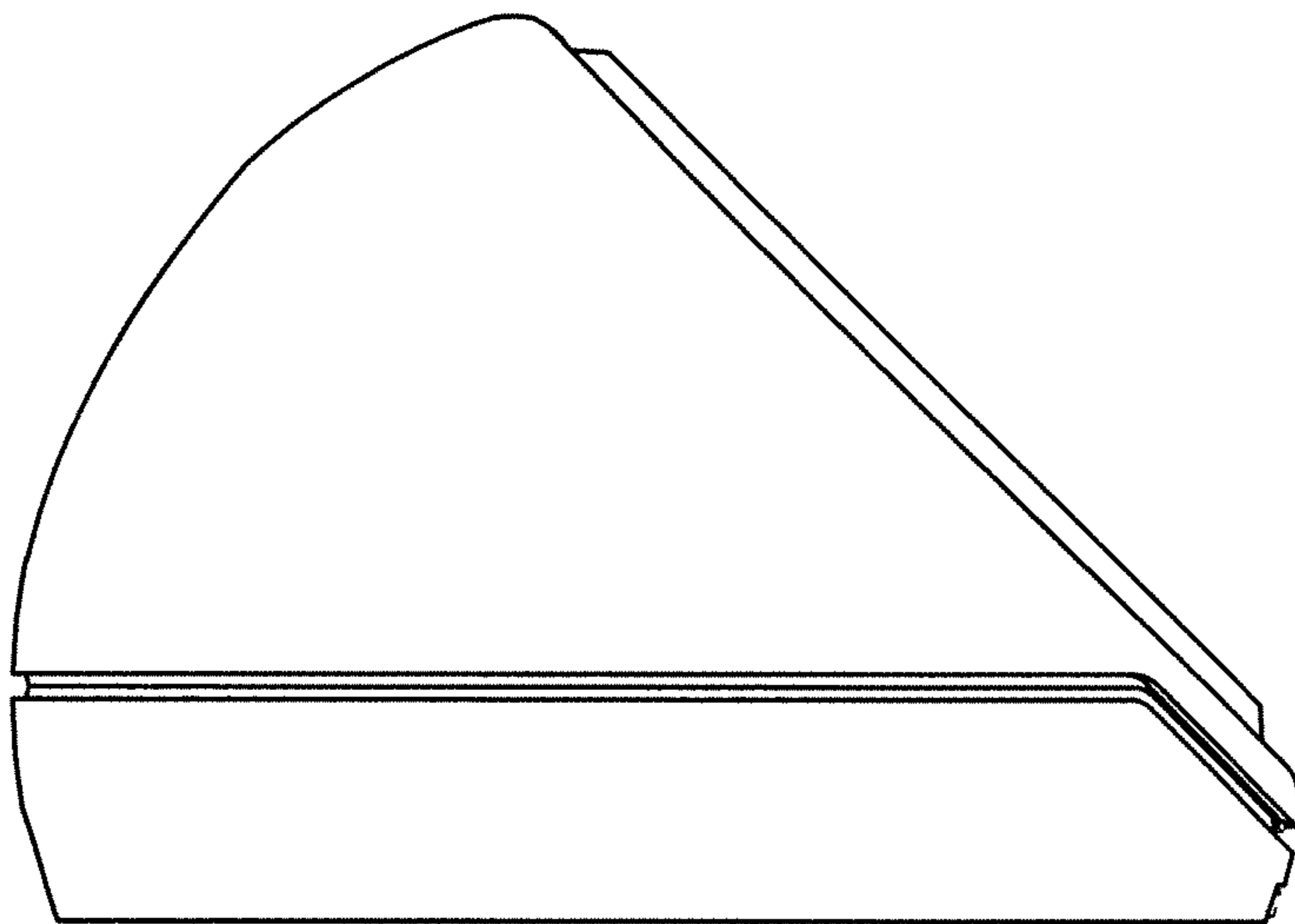


FIG. 7