



US00D719205S

(12) **United States Design Patent**
Matsumoto

(10) **Patent No.:** **US D719,205 S**
(45) **Date of Patent:** **** Dec. 9, 2014**

(54) **VIDEO CAMERA**

(71) Applicant: **Panasonic Corporation**, Osaka (JP)

(72) Inventor: **Hiroyuki Matsumoto**, Osaka (JP)

(73) Assignee: **Panasonic Corporation**, Osaka (JP)

(**) Term: **14 Years**

(21) Appl. No.: **29/472,696**

(22) Filed: **Nov. 15, 2013**

(51) **LOC (10) Cl.** **16-01**

(52) **U.S. Cl.**

USPC **D16/206; D16/202**

(58) **Field of Classification Search**

CPC G03B 17/00; G03B 17/02; H04N 5/2251;
H04N 5/2252; H04N 5/2253; H04N 5/772

USPC D16/202, 203, 206, 214, 243;
348/373-376; 396/535, 540, 541

See application file for complete search history.

(56) **References Cited**

U.S. PATENT DOCUMENTS

D181,162 S *	10/1957	Nassour	D16/214
D389,500 S *	1/1998	Krekelberg	D16/202
D446,533 S *	8/2001	Gatto	D16/202
D484,164 S *	12/2003	Ogura	D16/202
D511,352 S *	11/2005	Oliver et al.	D16/203

D563,446 S *	3/2008	Stephens et al.	D16/202
D614,683 S *	4/2010	Oikawa et al.	D16/206
D658,222 S *	4/2012	Elrod et al.	D16/206
D710,424 S *	8/2014	Hallgren	D16/206

FOREIGN PATENT DOCUMENTS

JP	D1286472	11/2006
JP	D1356282	4/2009

* cited by examiner

Primary Examiner — Adir Aronovich

(74) *Attorney, Agent, or Firm* — Panasonic Patent Center

(57) **CLAIM**

I claim the ornamental design for a video camera, as shown and described.

DESCRIPTION

FIG. 1 is a front perspective view of a video camera of the present invention;

FIG. 2 is a rear perspective view thereof;

FIG. 3 is a front elevational view thereof;

FIG. 4 is a rear elevational view thereof;

FIG. 5 is a right side elevational view thereof;

FIG. 6 is a left side elevational view thereof;

FIG. 7 is a top plan view thereof; and,

FIG. 8 is a bottom plan view thereof.

The broken line showing of video camera is included for the purpose of illustrating environment and forms no part of the claimed design.

1 Claim, 8 Drawing Sheets

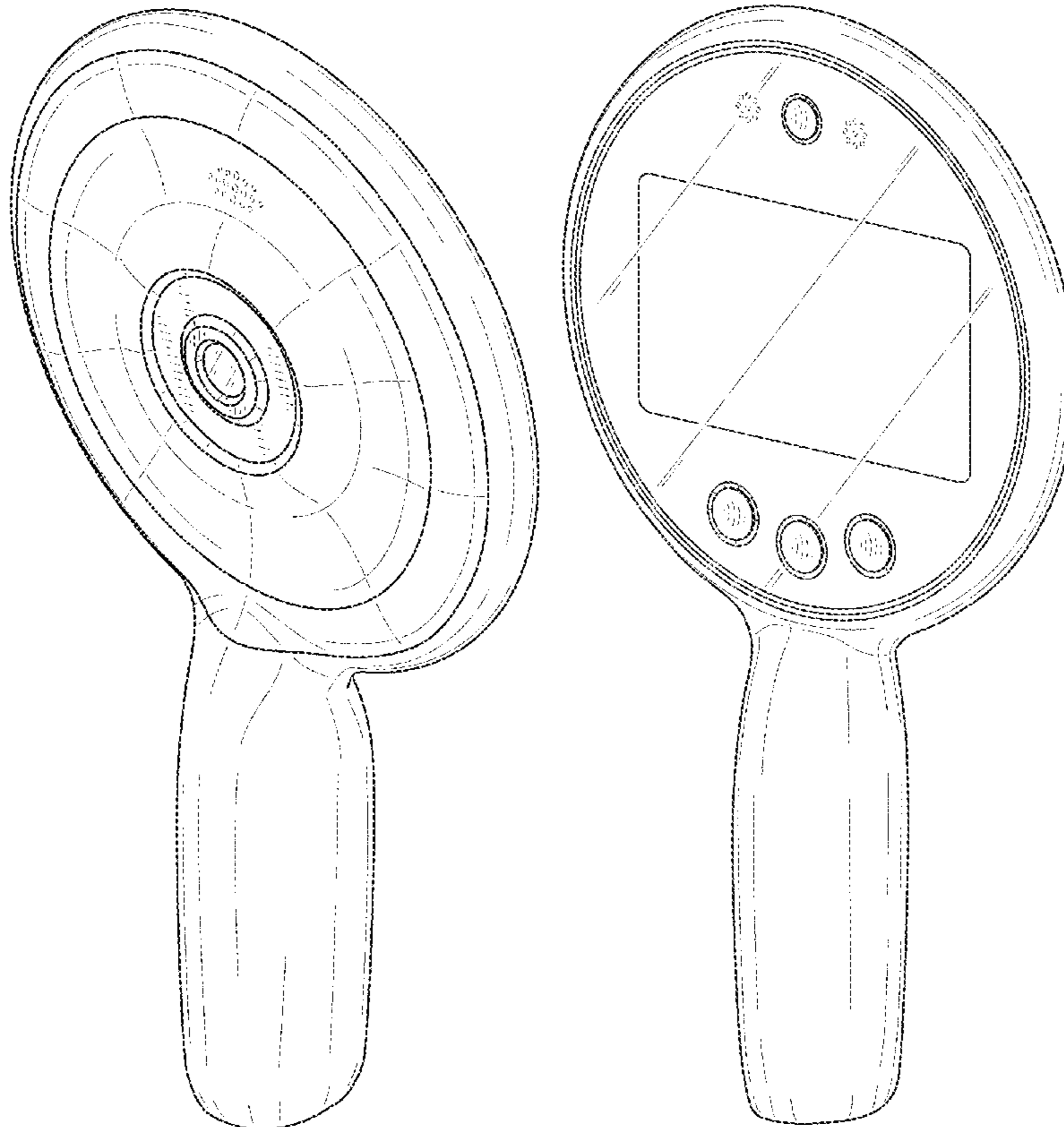


FIG. 1

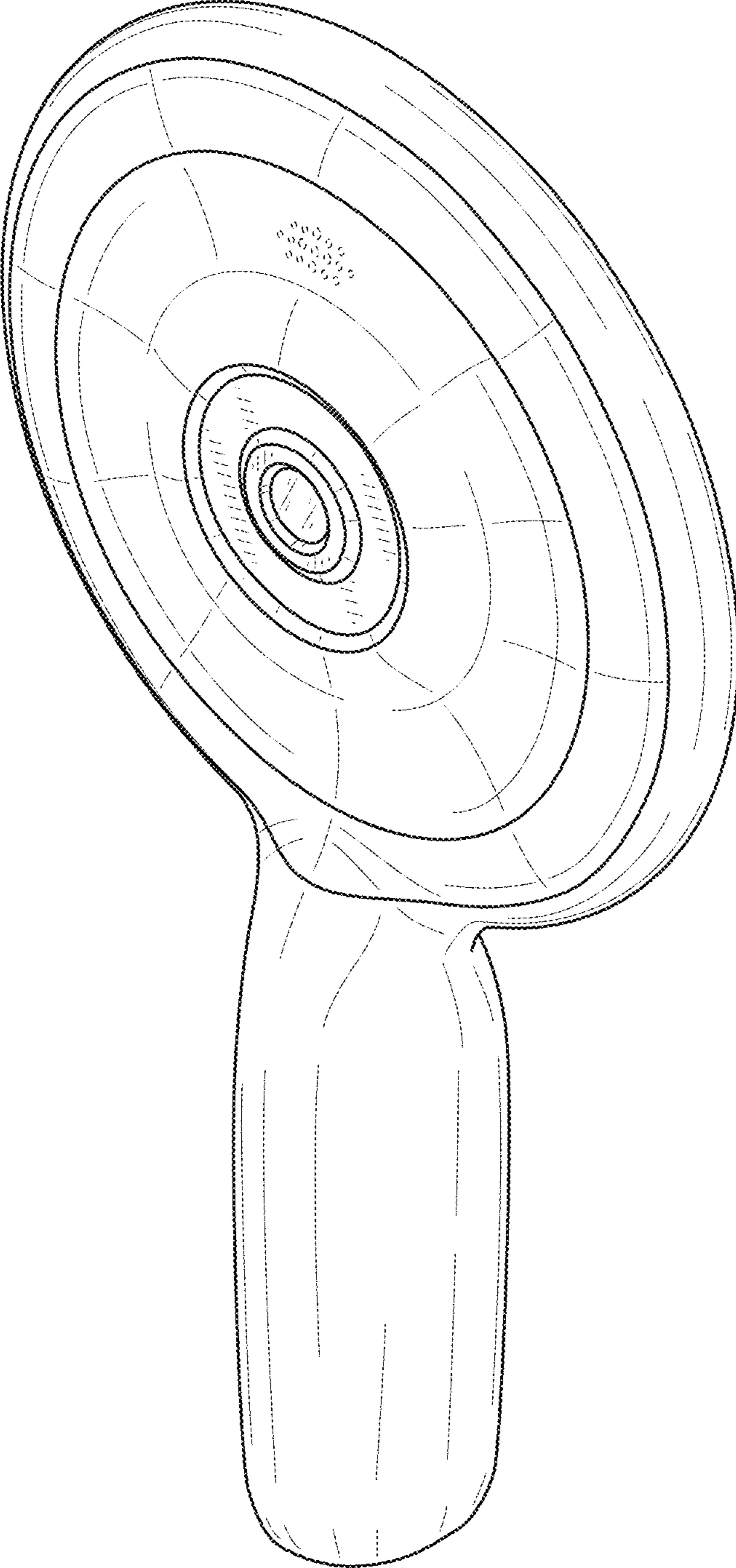


FIG. 2

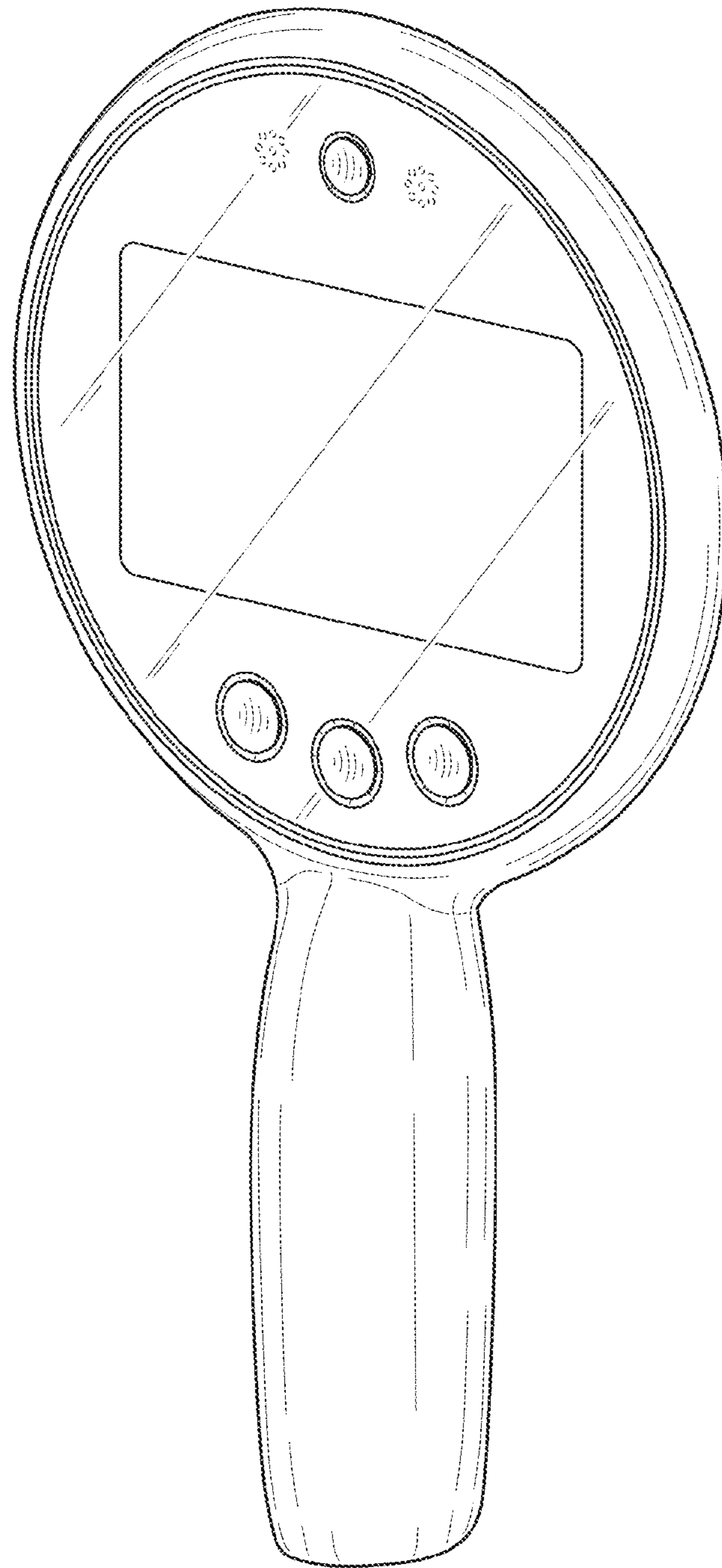


FIG. 3

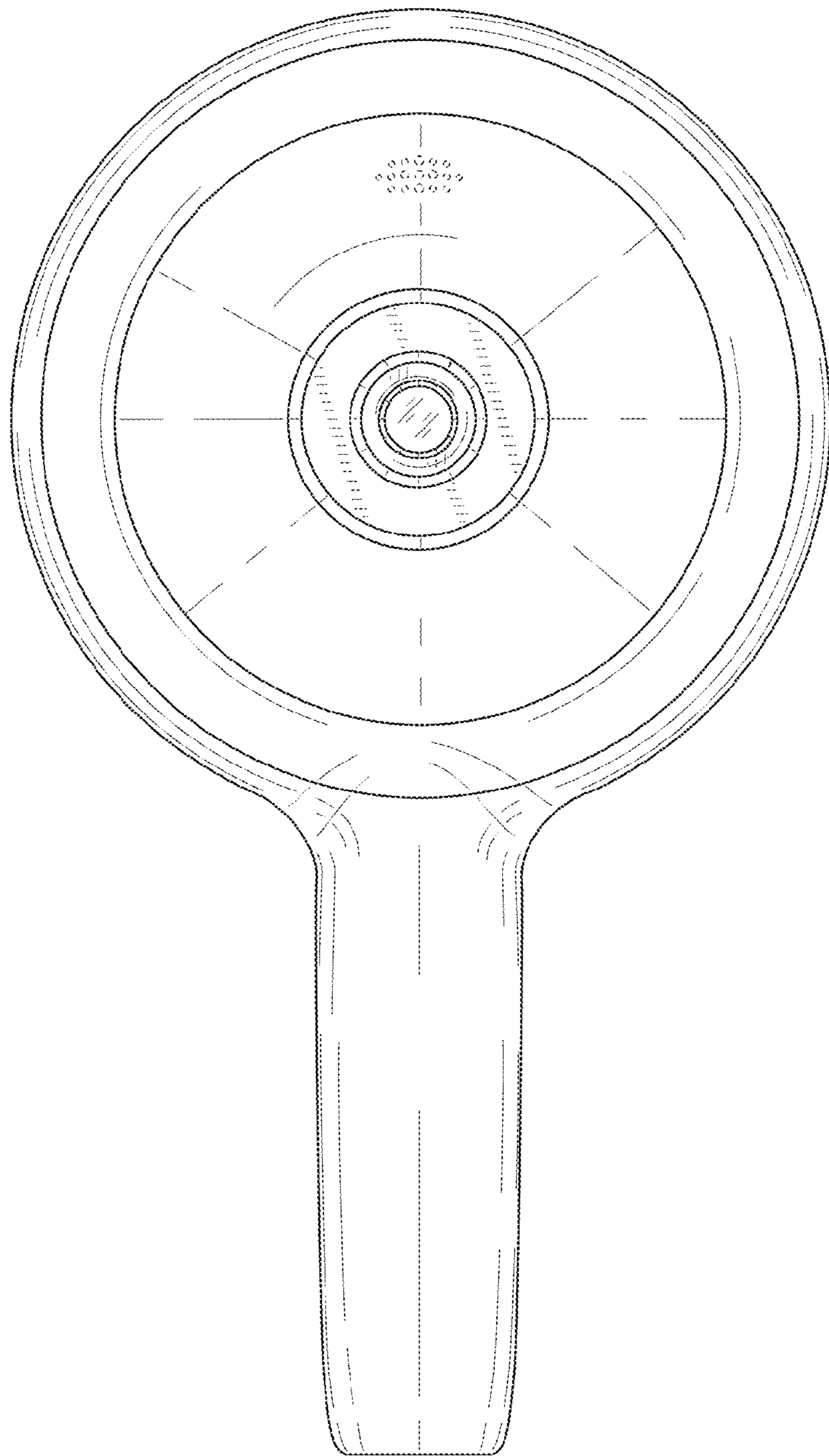


FIG. 4

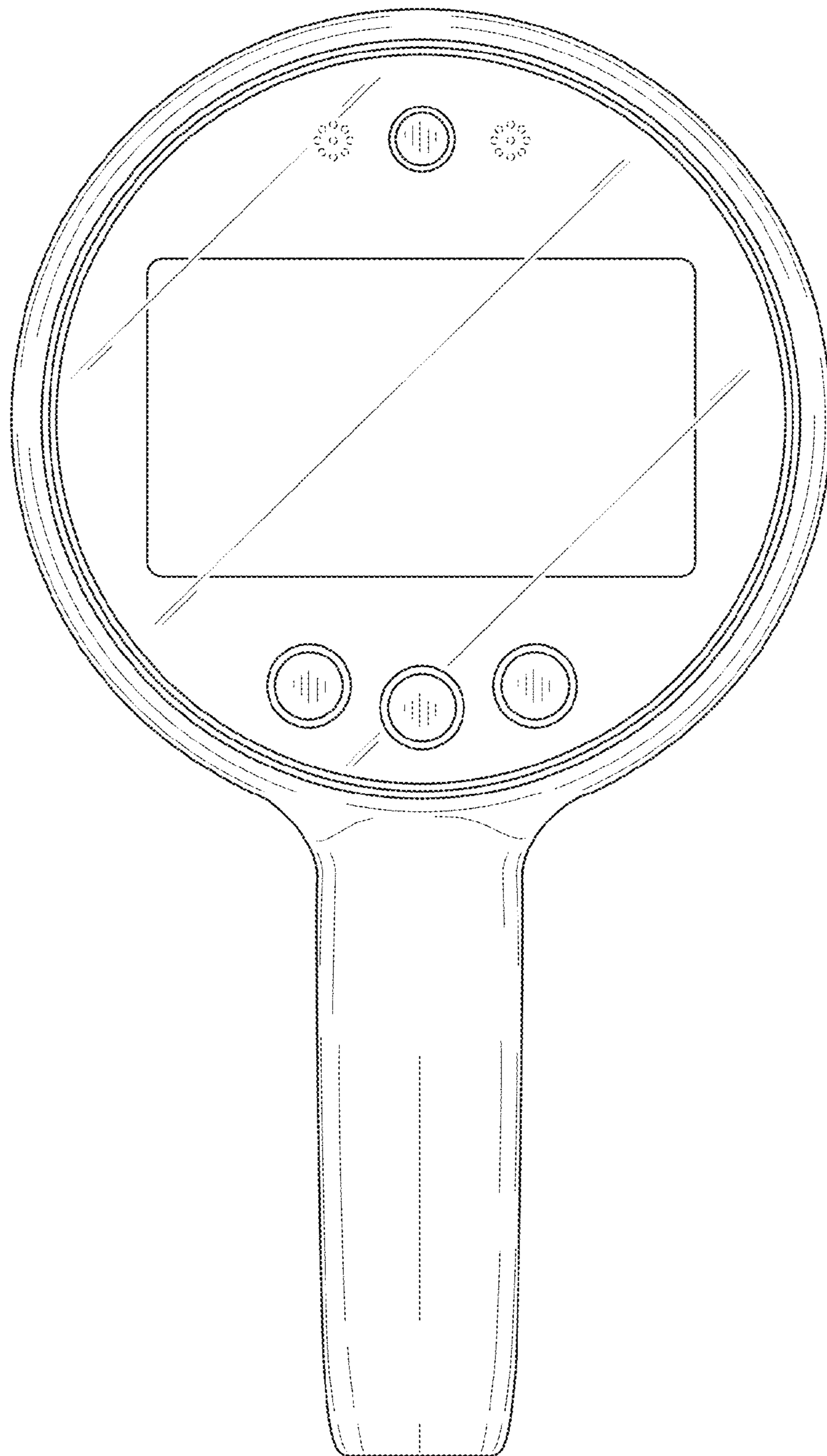


FIG. 5

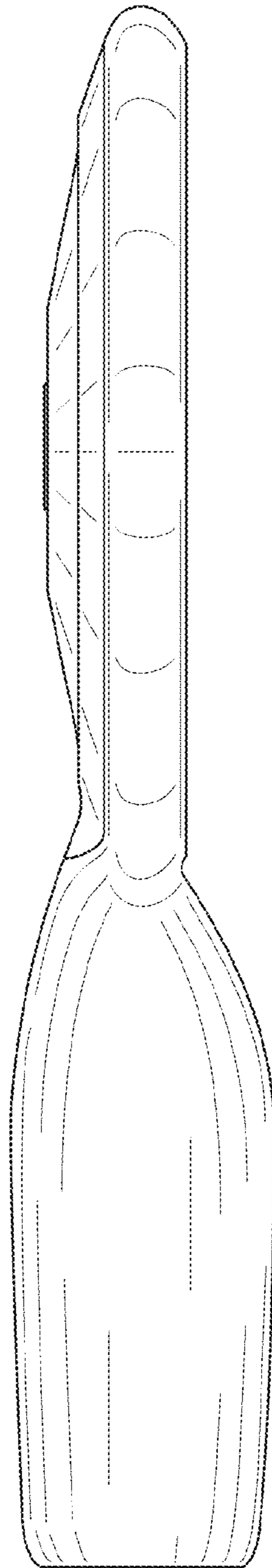


FIG. 6

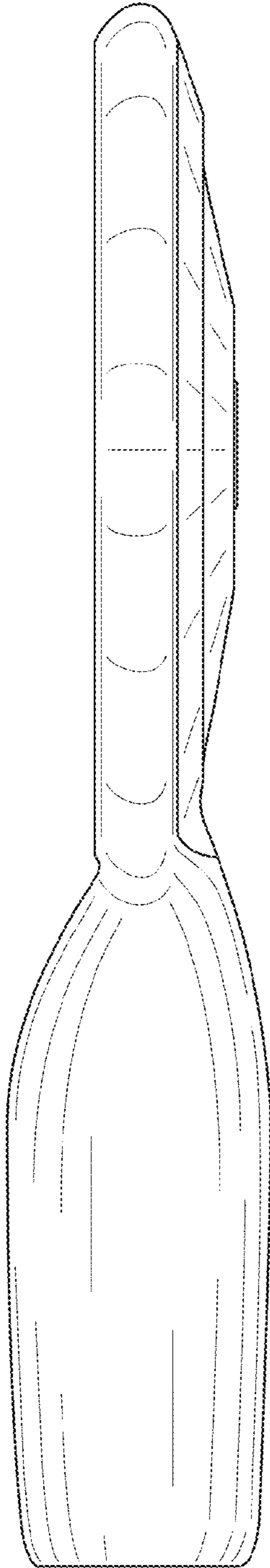


FIG. 7

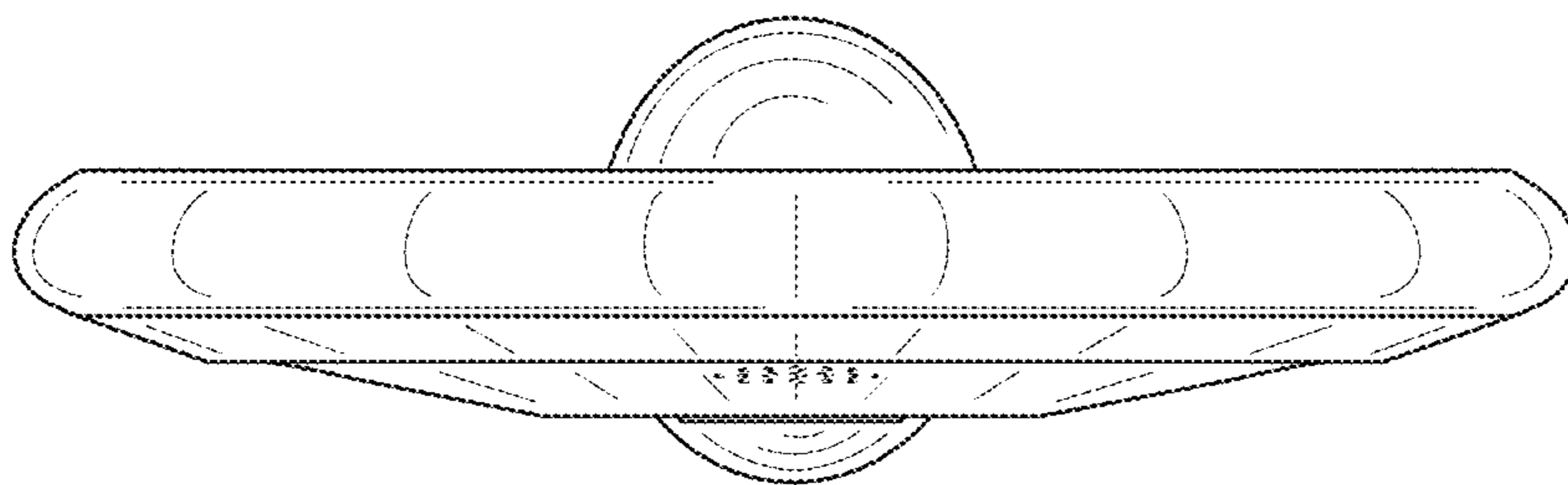


FIG. 8

