



US00D719204S

(12) **United States Design Patent**  
**Nakanishi**

(10) **Patent No.:** **US D719,204 S**

(45) **Date of Patent:** **\*\* Dec. 9, 2014**

(54) **SECURITY CAMCORDER**

(71) Applicant: **JVC Kenwood Corporation,**  
Yokohama-shi, Kanagawa (JP)

(72) Inventor: **Yutaka Nakanishi,** Machida (JP)

(73) Assignee: **JVC Kenwood Corporation,**  
Yokohama-Shi, Kanagawa (JP)

(\*\*) Term: **14 Years**

(21) Appl. No.: **29/446,314**

(22) Filed: **Feb. 22, 2013**

(30) **Foreign Application Priority Data**

Sep. 6, 2012 (JP) ..... 2012-021515

(51) **LOC (10) Cl.** ..... **16-01**

(52) **U.S. Cl.**  
USPC ..... **D16/203**

(58) **Field of Classification Search**

CPC ..... G03B 17/02; G03B 19/04; G03B 17/56;  
G03B 17/04; G03B 15/03; H04N 5/2251;  
H04N 5/2252; H04N 5/2253; H04N 5/2254;  
H04N 7/181; H04N 7/183; H04N 7/18;  
G08B 13/1963; G08B 13/19619; G08B  
13/19632; F16M 11/04; F16M 13/00

USPC ..... D16/200, 202-206, 218, 219, 242;  
348/143, 148, 151, 164, 373-376;  
396/419, 427, 535, 539-541

See application file for complete search history.

(56) **References Cited**

**U.S. PATENT DOCUMENTS**

5,153,623 A \* 10/1992 Bouvier ..... 396/427  
D340,253 S \* 10/1993 Fedorczak ..... D16/203  
D405,456 S \* 2/1999 Lefkowitz ..... D16/203  
D542,319 S \* 5/2007 Ishida et al. .... D16/203  
D552,650 S \* 10/2007 Yamakawa et al. .... D16/203  
D562,870 S \* 2/2008 Komatsu et al. .... D16/203  
D579,474 S \* 10/2008 Yoo et al. .... D16/203

D597,117 S \* 7/2009 Yamane et al. .... D16/203  
D608,811 S \* 1/2010 Frank et al. .... D16/203  
D609,732 S \* 2/2010 Frank et al. .... D16/203  
D626,984 S \* 11/2010 Miyaji ..... D16/203  
D629,439 S \* 12/2010 Yoshida ..... D16/219  
D673,989 S \* 1/2013 Ying et al. .... D16/203

**OTHER PUBLICATIONS**

Prior Art 1: Design disclosed at p. 61 of the magazine "Motor Boating" Issue No. 4 accepted at National Center for Industrial Property Information and Training on Apr. 13, 2009, with Statement of Relevance in English.

Prior Art 2: Design disclosed at p. 1 of the catalogue "Network Camera SNC-ER580" accepted at National Center for Industrial Property Information and Training on Jun. 20, 2012, with Statement of Relevance in English.

\* cited by examiner

*Primary Examiner* — Philip S Hyder

*Assistant Examiner* — Ramzi Almatrahi

(74) *Attorney, Agent, or Firm* — Nath, Goldberg & Meyer;  
Jerald L. Meyer

(57) **CLAIM**

The ornamental design for a security camcorder, as shown and described.

**DESCRIPTION**

FIG. 1 is a front perspective view of a security camcorder showing my new design;  
FIG. 2 is a front view thereof,  
FIG. 3 is a rear view thereof;  
FIG. 4 is a left side view thereof;  
FIG. 5 is a right side view thereof;  
FIG. 6 is a top plan view thereof; and,  
FIG. 7 is a sectional view thereof taken along line 7-7 in FIG. 2.

The broken lines shown are included for the purpose of illustrating the unclaimed portions of the article and form no part of the claim.

**1 Claim, 7 Drawing Sheets**

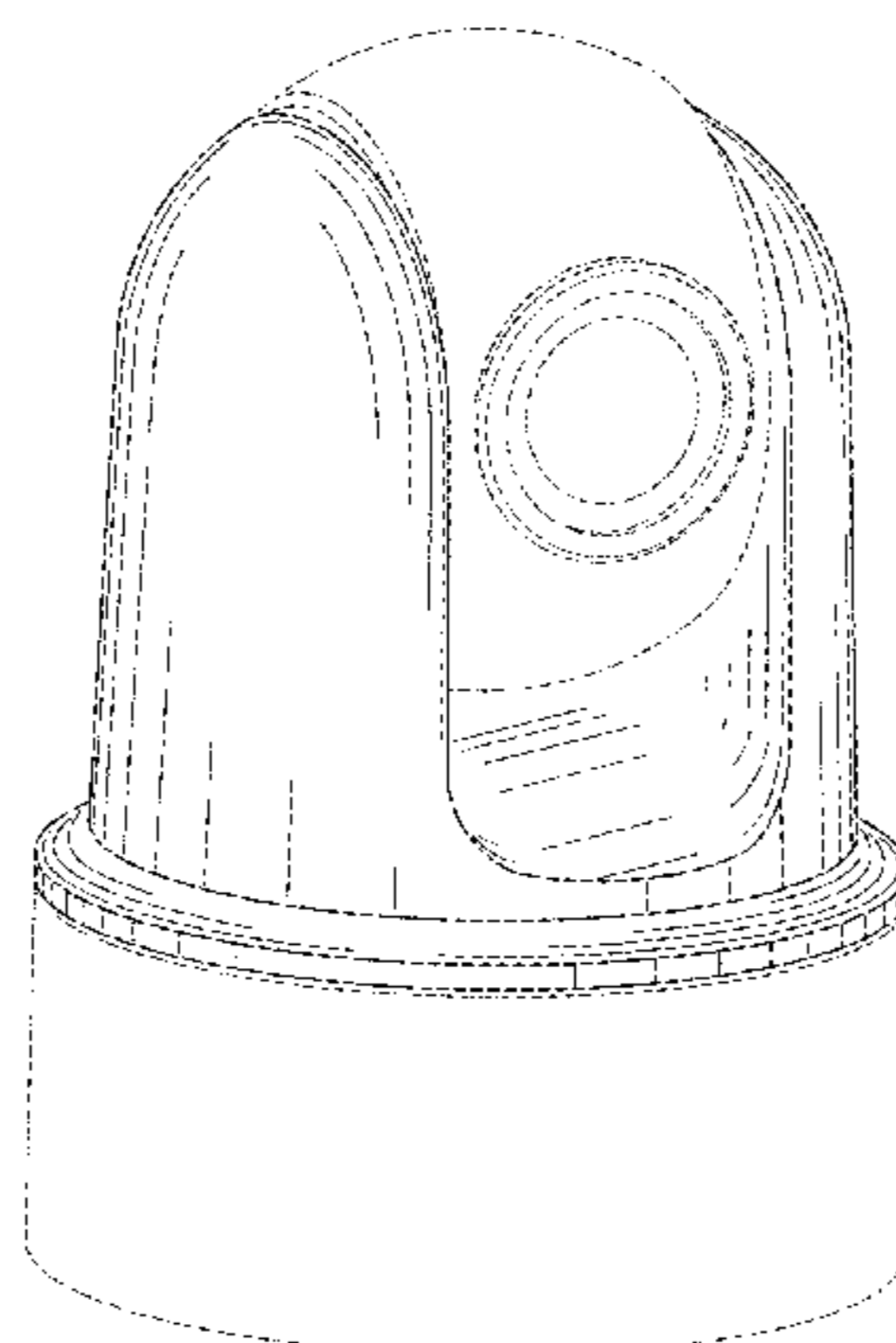


Fig. 1

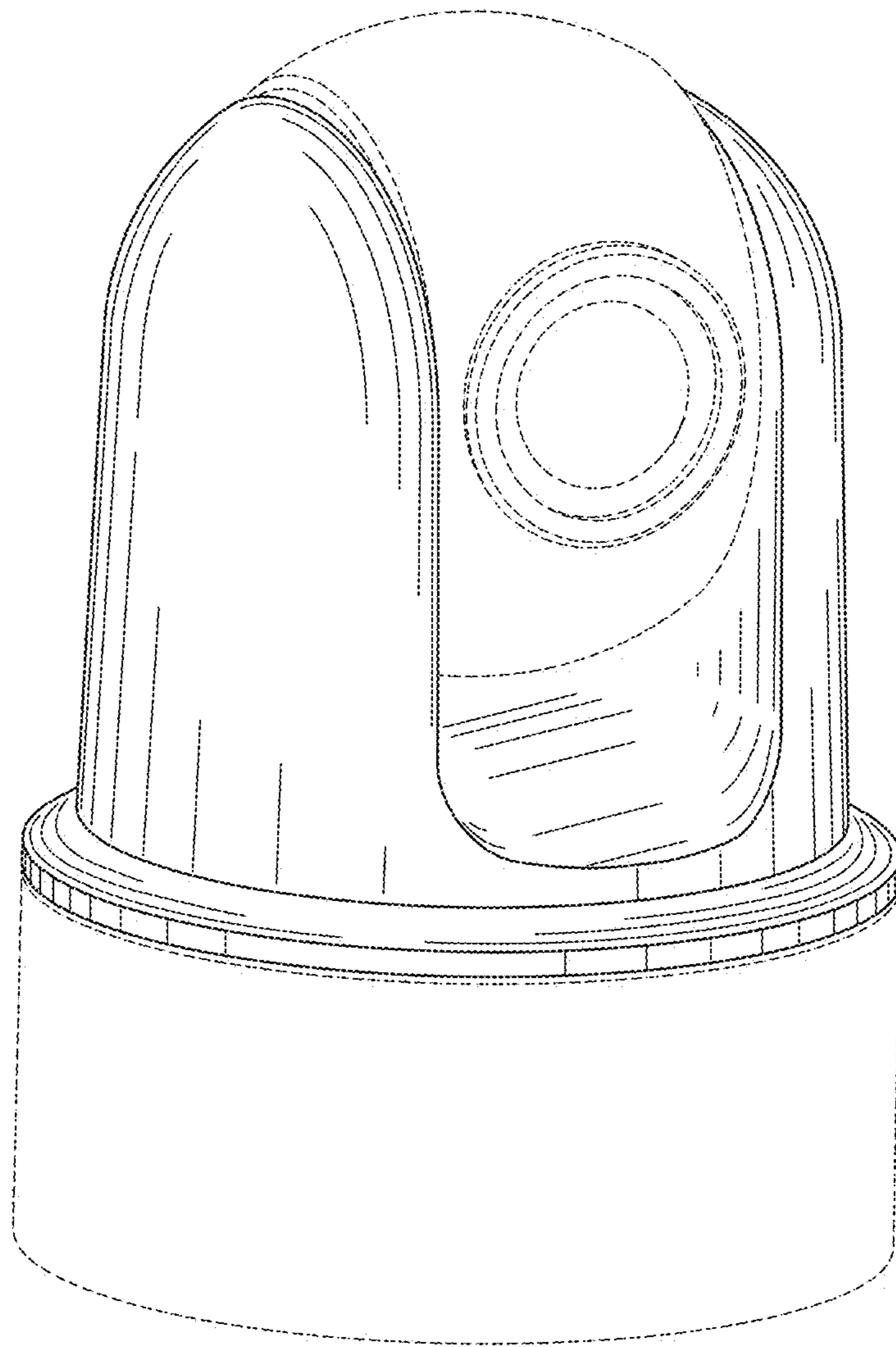


Fig.2

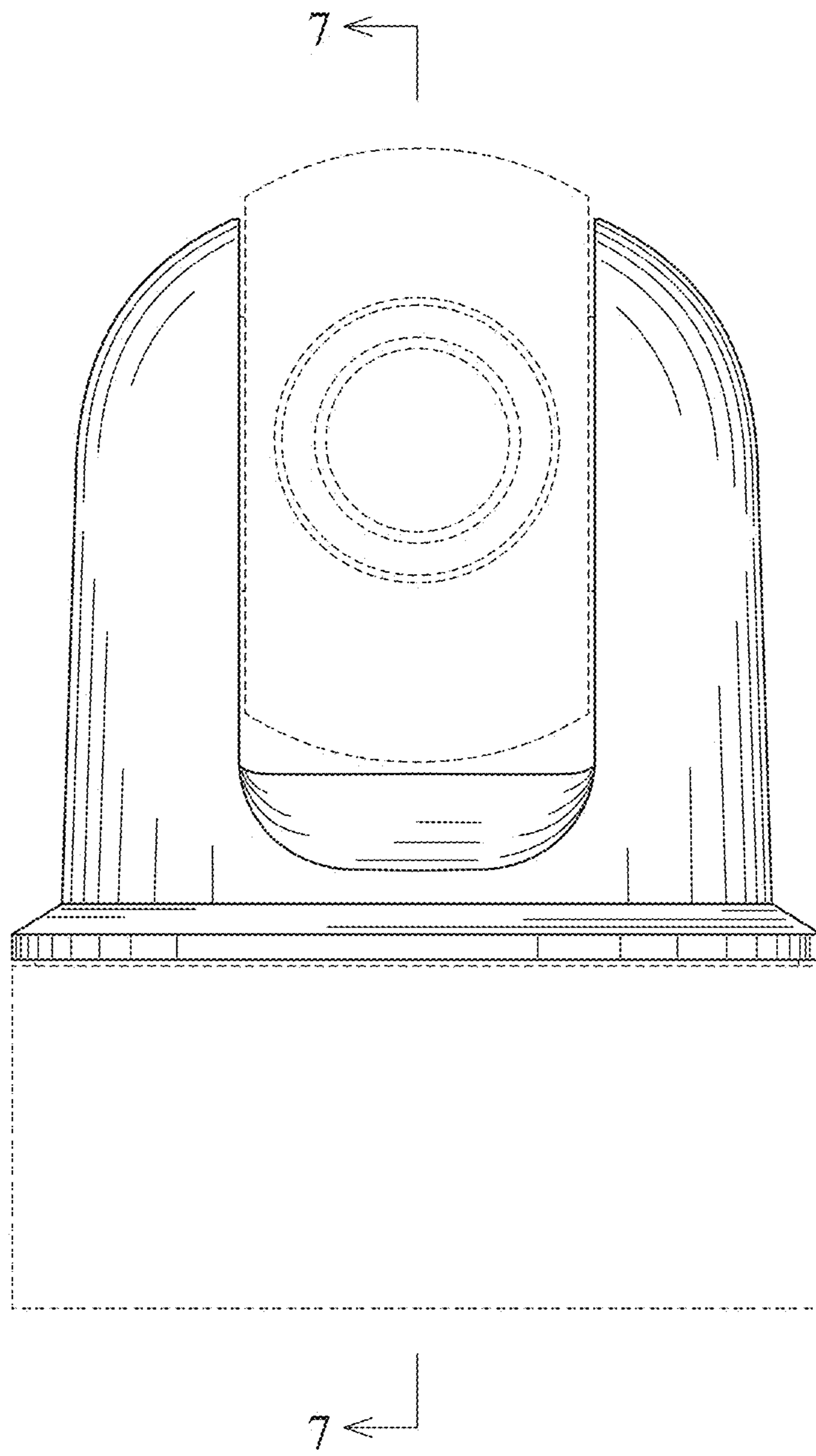


Fig.3

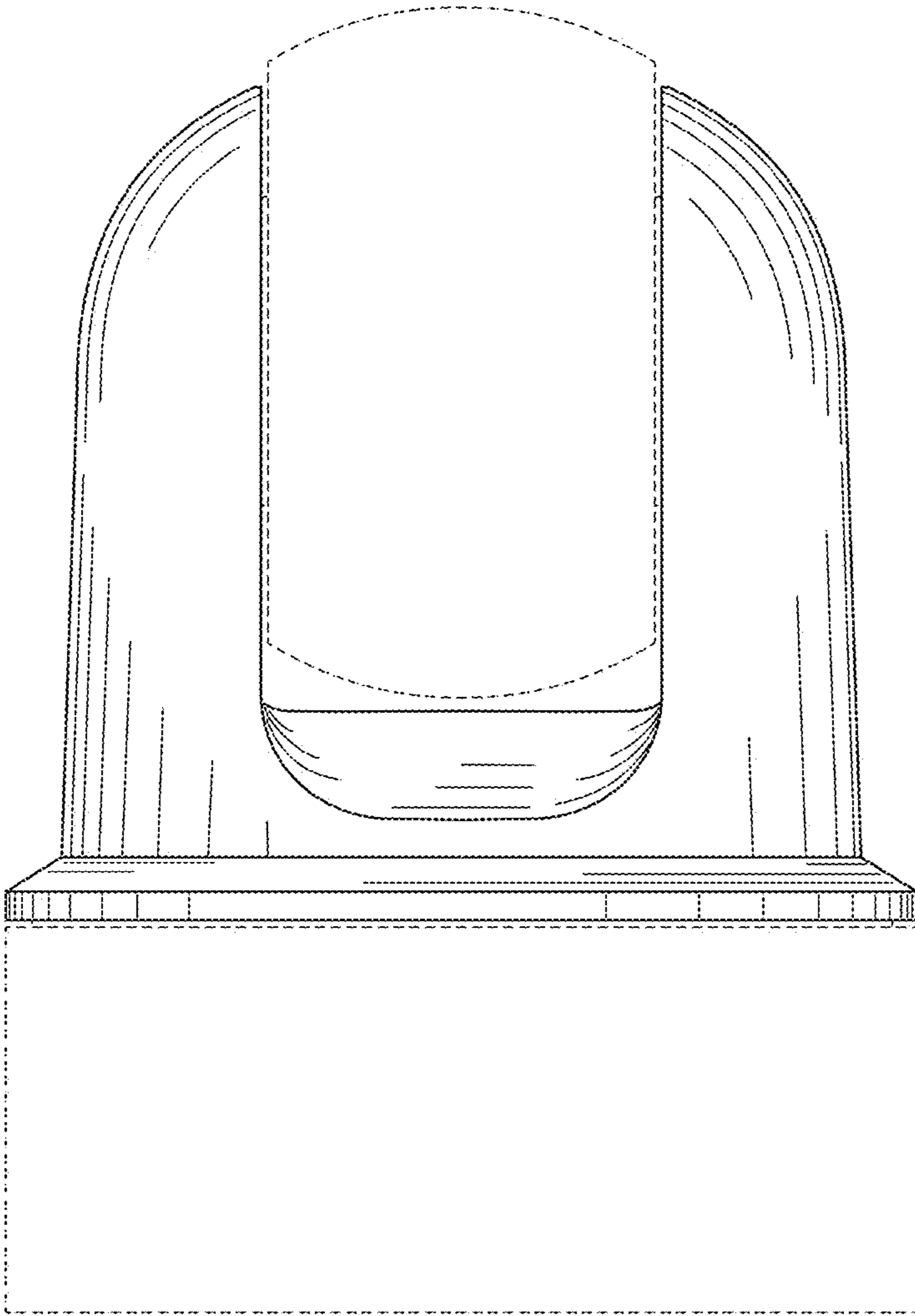


Fig.4

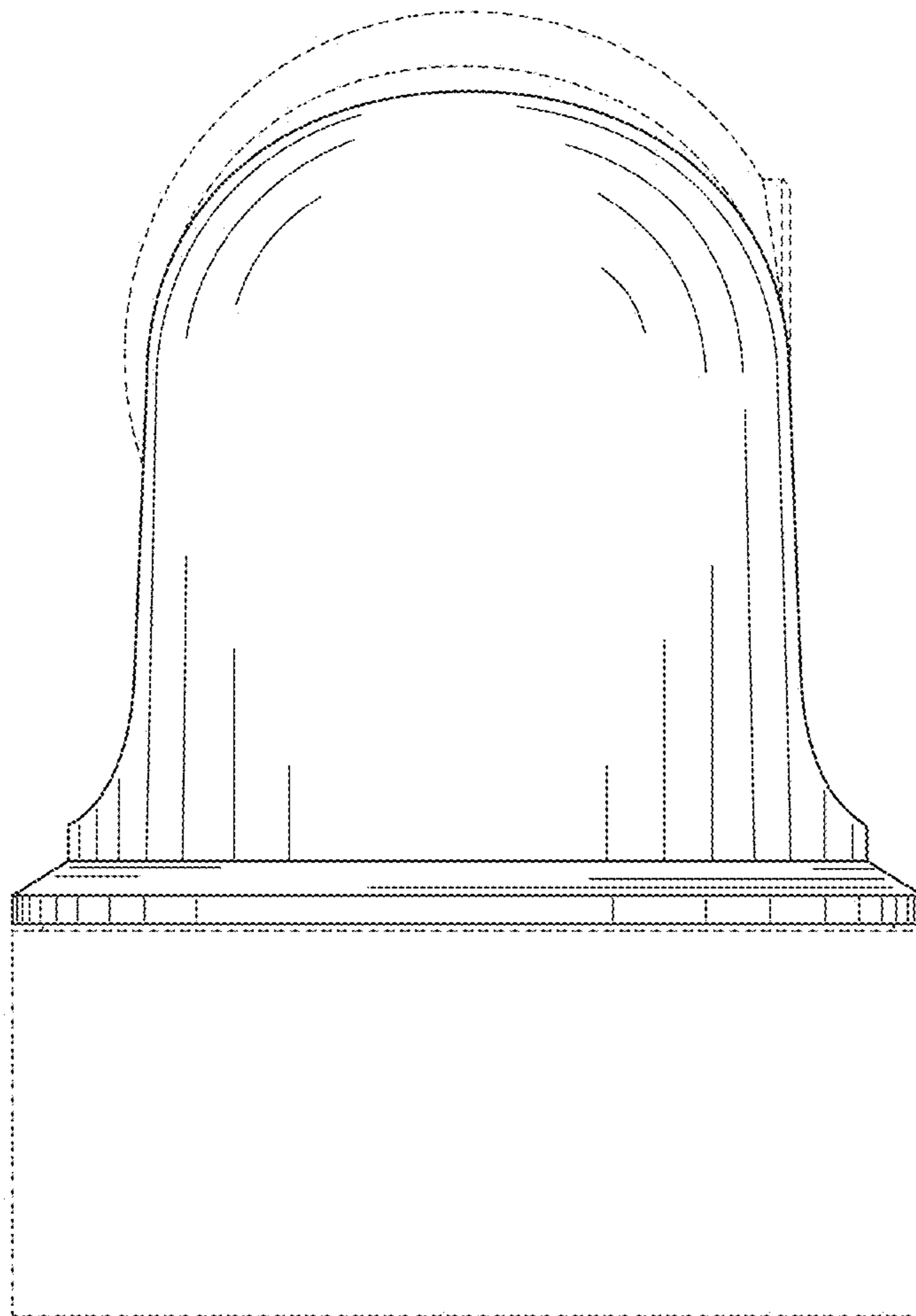


Fig.5

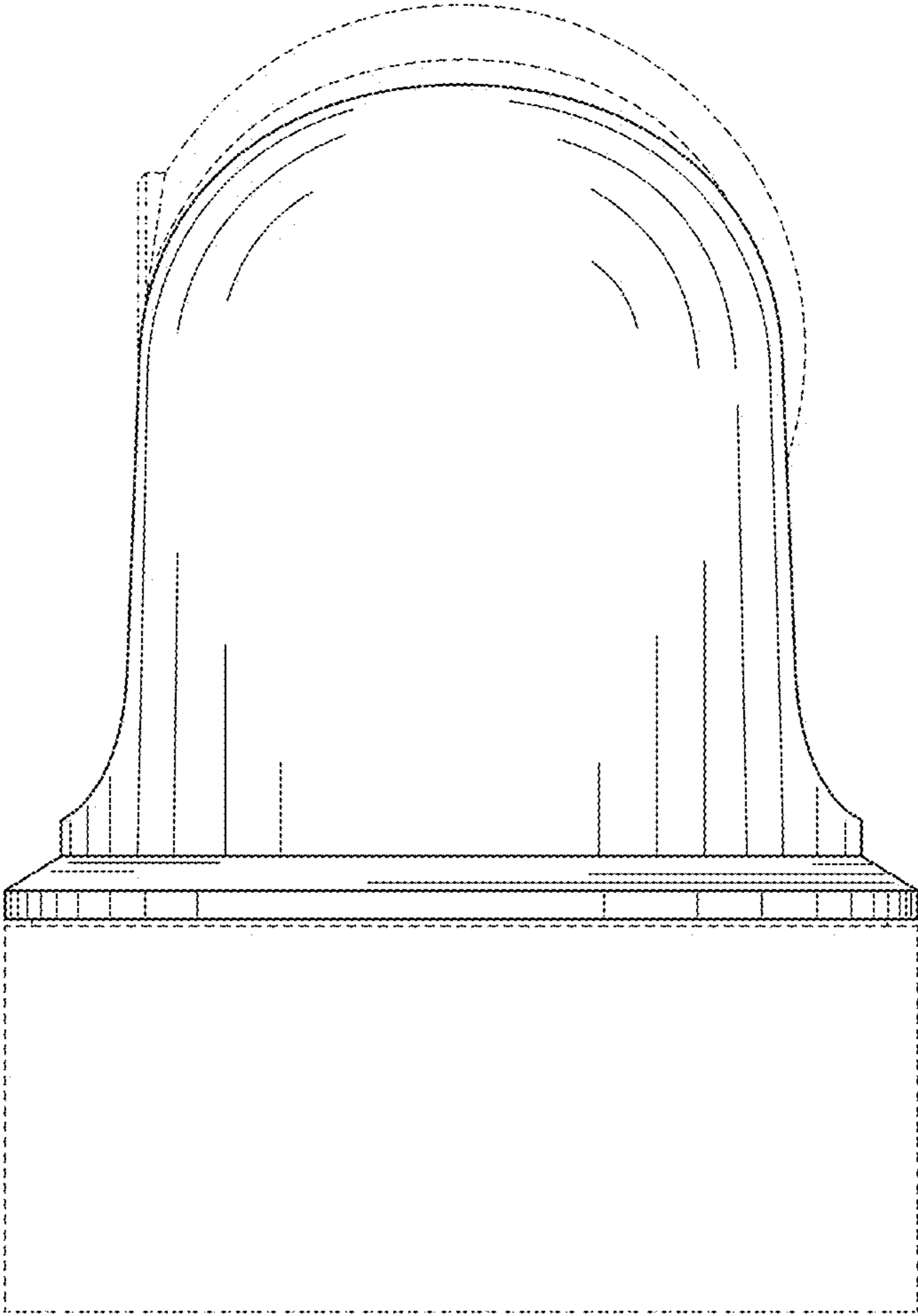




Fig.6

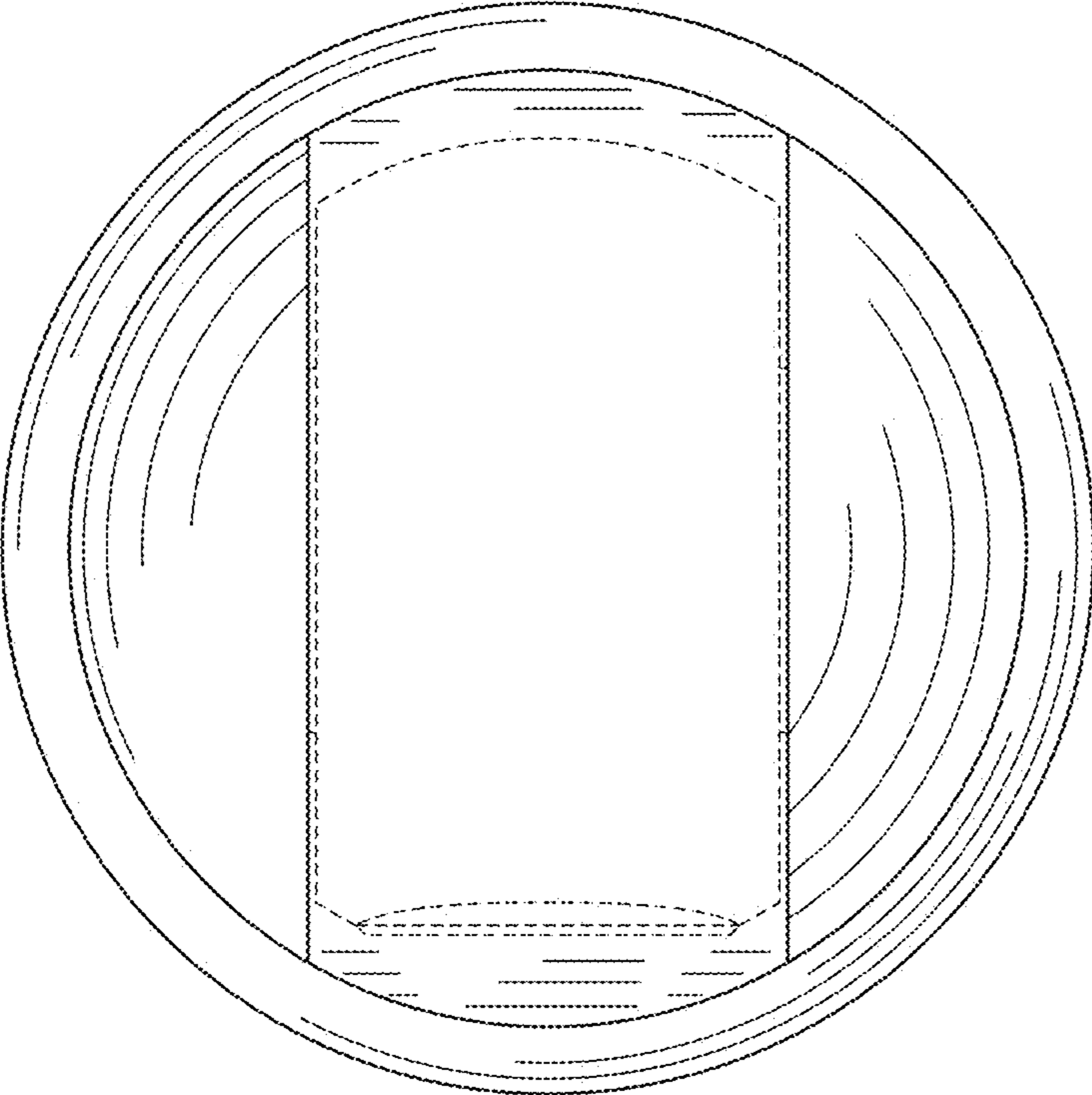


Fig. 7

