



US00D719203S

(12) **United States Design Patent**
Horiki et al.

(10) **Patent No.:** **US D719,203 S**
(45) **Date of Patent:** **** Dec. 9, 2014**

(54) **VIDEO CAMERA WITH RECORDER AND
PLAYER**

(71) Applicant: **Panasonic Corporation**, Osaka (JP)

(72) Inventors: **Toshio Horiki**, Osaka (JP); **Takanori
Tokuyama**, Osaka (JP); **Kenji
Nishiwaki**, Osaka (JP); **Hiroyuki
Matsumoto**, Osaka (JP)

(73) Assignee: **Panasonic Corporation**, Osaka (JP)

(**) Term: **14 Years**

(21) Appl. No.: **29/468,024**

(22) Filed: **Sep. 26, 2013**

(51) **LOC (10) Cl.** **16-01**

(52) **U.S. Cl.**
USPC **D16/202**

(58) **Field of Classification Search**
CPC G03B 17/00; G03B 17/02; H04N 5/2251;
H04N 5/2252; H04N 5/2253; H04N 5/772
USPC D16/200–205, 208, 218; 348/373–376;
358/906; 396/341, 535–541
See application file for complete search history.

(56) **References Cited**

U.S. PATENT DOCUMENTS

4,623,931 A * 11/1986 Inaga et al. D16/202
D289,157 S * 4/1987 Inai et al. D16/202
D404,748 S * 1/1999 Miyashita D16/202

D431,041 S * 9/2000 Sekine D16/202
D438,552 S * 3/2001 Sumita D16/202
6,434,325 B1 * 8/2002 Noda et al. 358/906
D558,247 S * 12/2007 Kim D16/202
D589,547 S 3/2009 Yamada et al.
D605,212 S 12/2009 Mori et al.
D622,300 S * 8/2010 Endo et al. D16/202
8,023,033 B2 * 9/2011 Kirihara et al. 348/341
8,503,877 B2 * 8/2013 Tachiki 396/535

* cited by examiner

Primary Examiner — Adir Aronovich

(74) *Attorney, Agent, or Firm* — Panasonic Patent Center

(57) **CLAIM**

We claim the ornamental design for a video camera with recorder and player, as shown and described.

DESCRIPTION

FIG. 1 is a front perspective view of a video camera with recorder and player of the present invention; FIG. 2 is a rear perspective view thereof; FIG. 3 is a front elevational view thereof; FIG. 4 is a rear elevational view thereof; FIG. 5 is a top plan view thereof; FIG. 6 is a bottom plan view thereof; FIG. 7 is a left side elevational view thereof; and, FIG. 8 is a right side elevational view thereof. The broken lines in the drawings are shown to illustrate portions of a video camera with recorder and player camera in which the design is embodied and form no part of the claimed design.

1 Claim, 8 Drawing Sheets

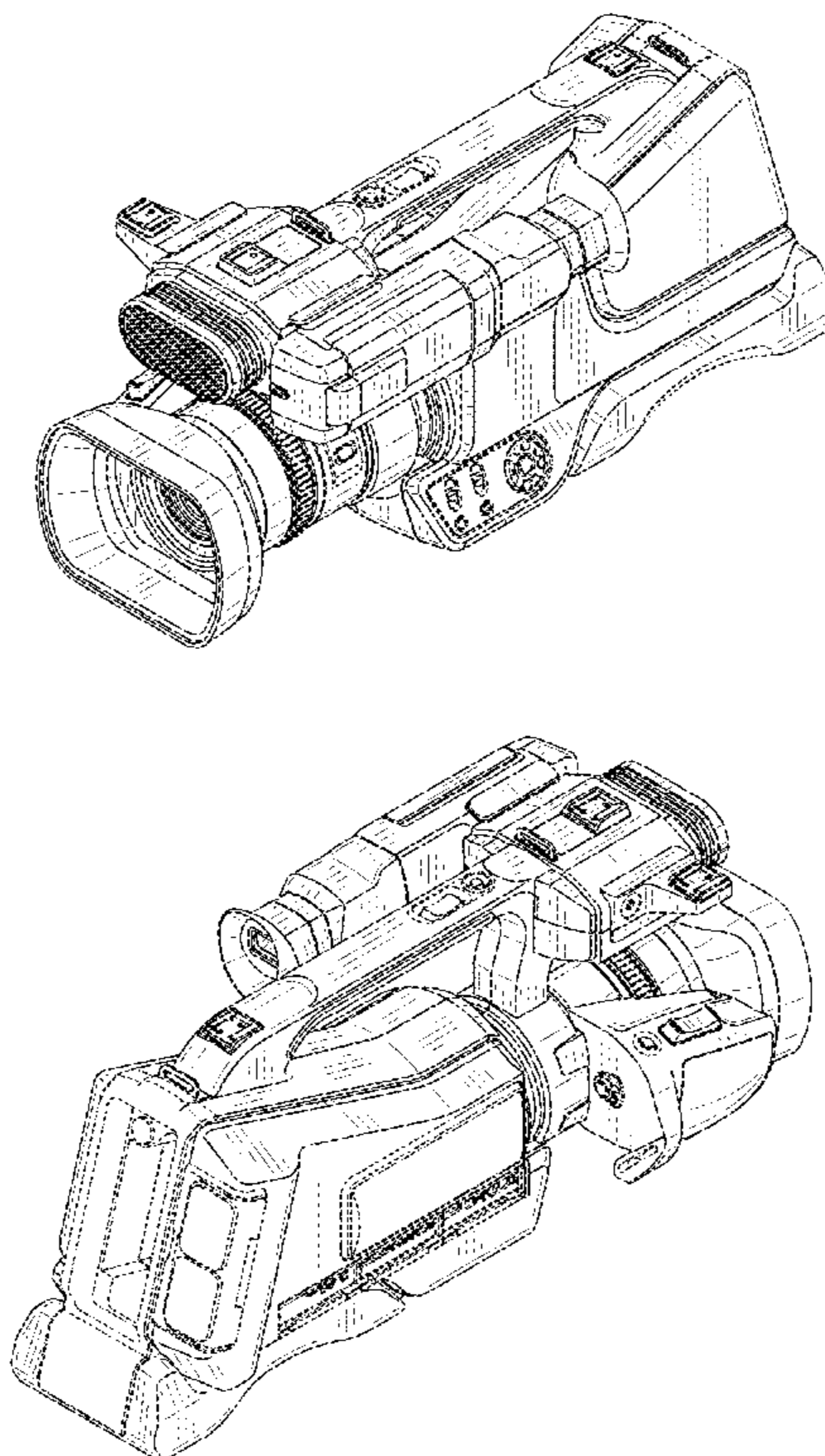


FIG. 1

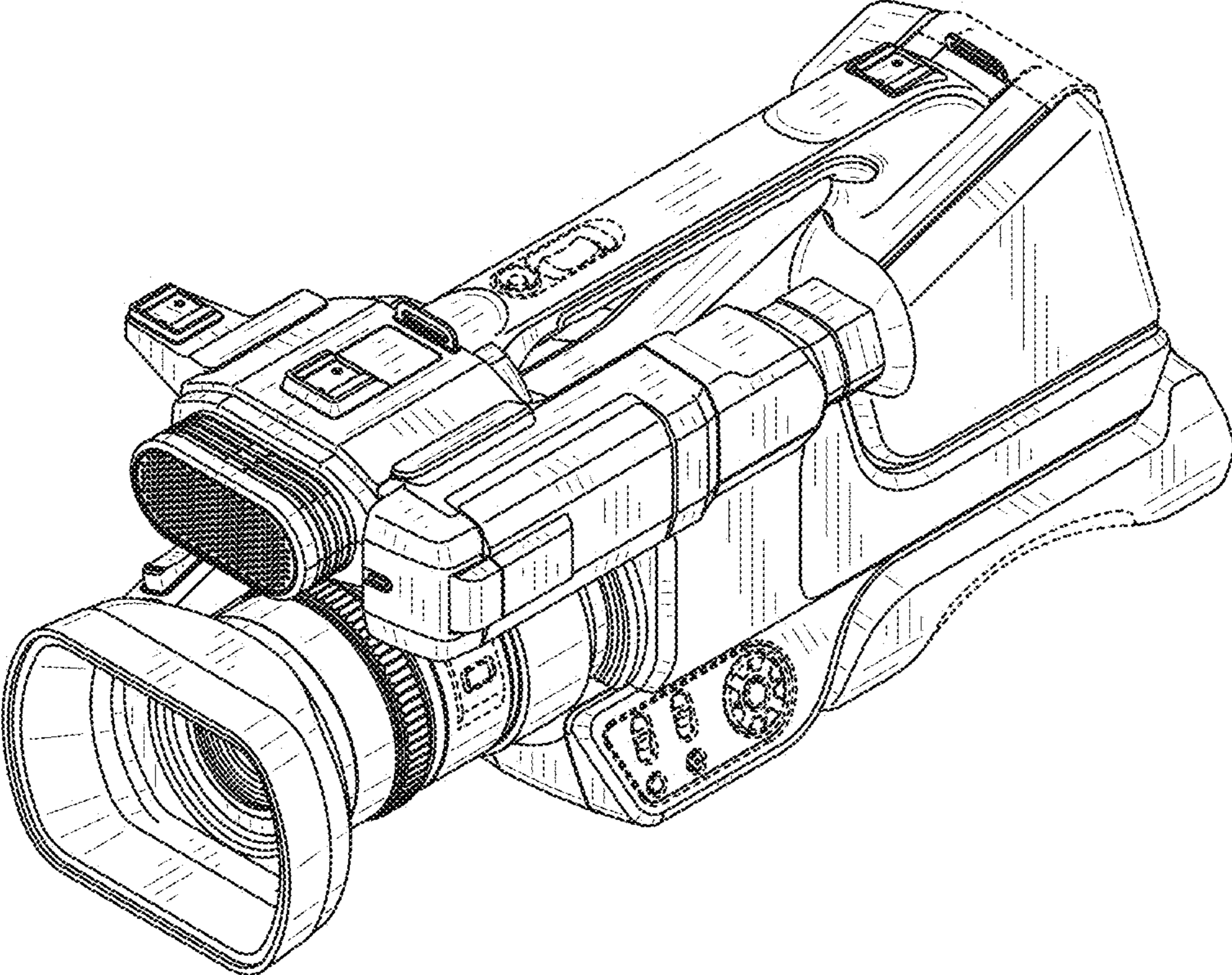


FIG. 2

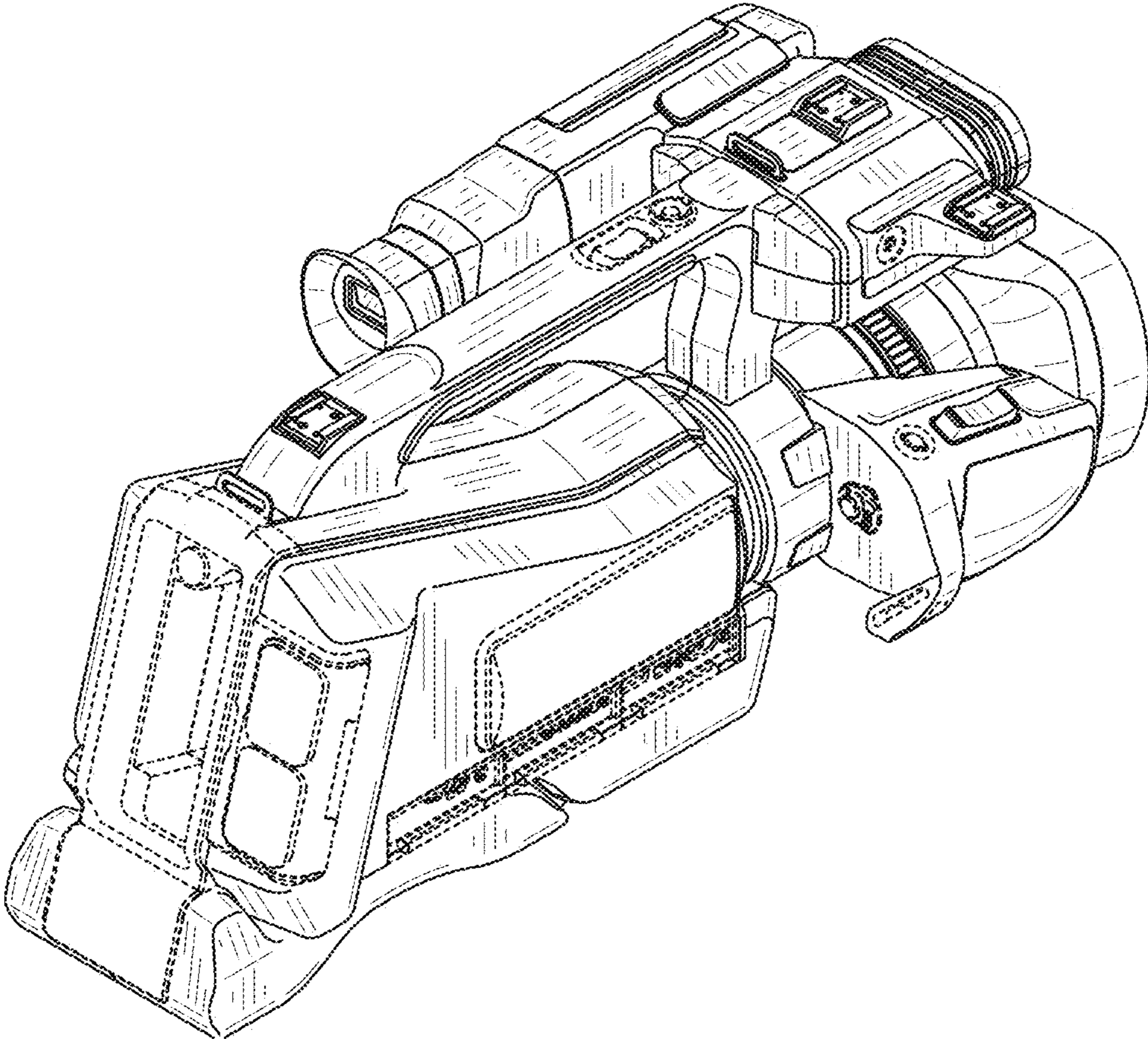


FIG. 3

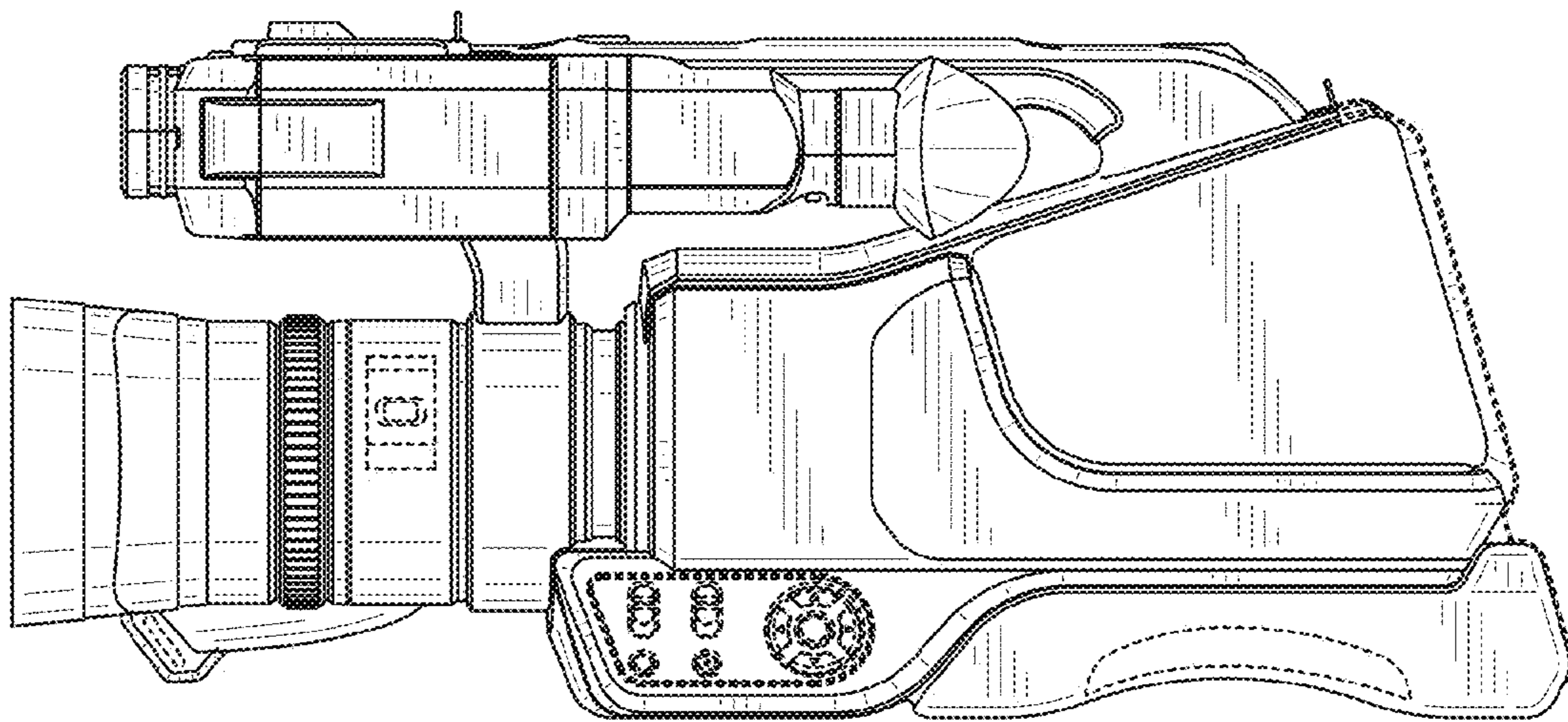


FIG. 4

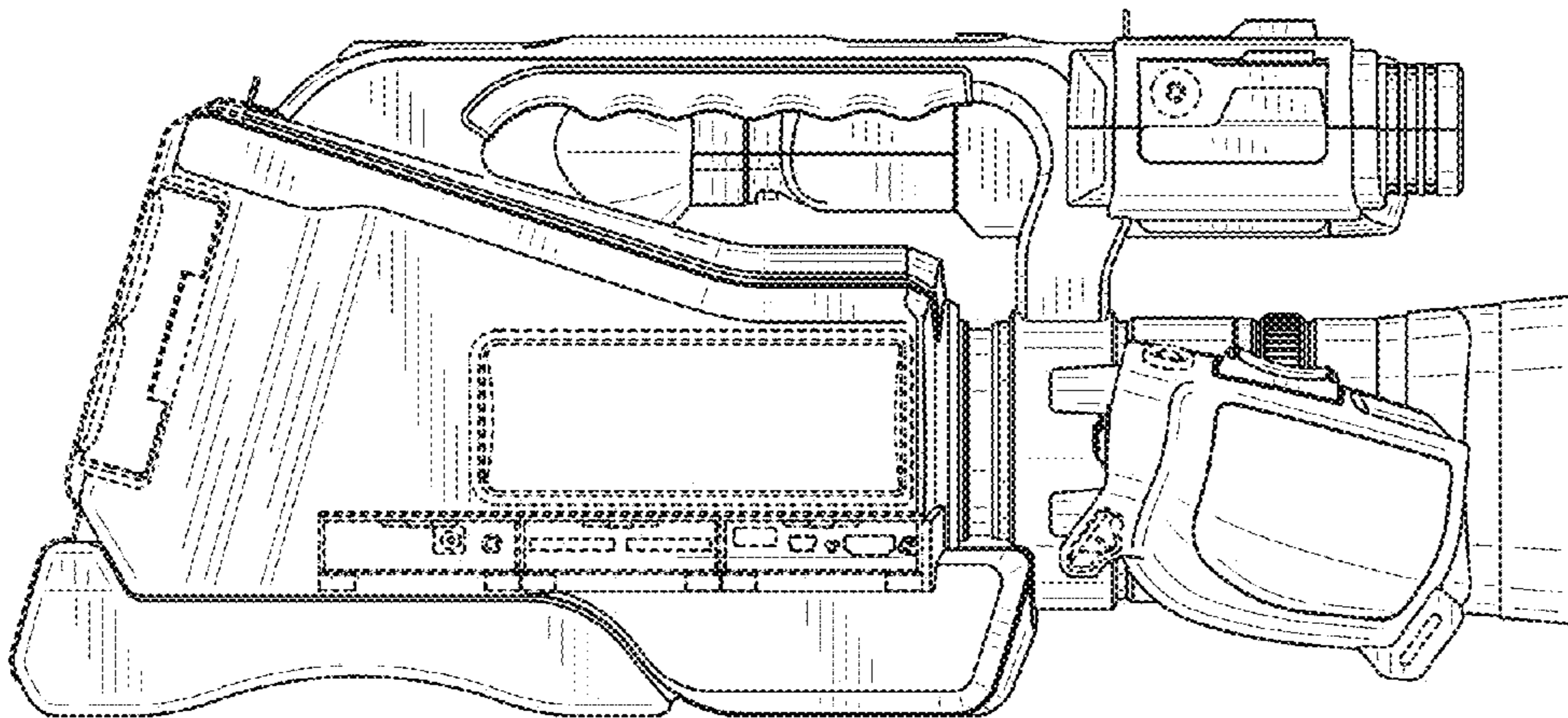


FIG. 5

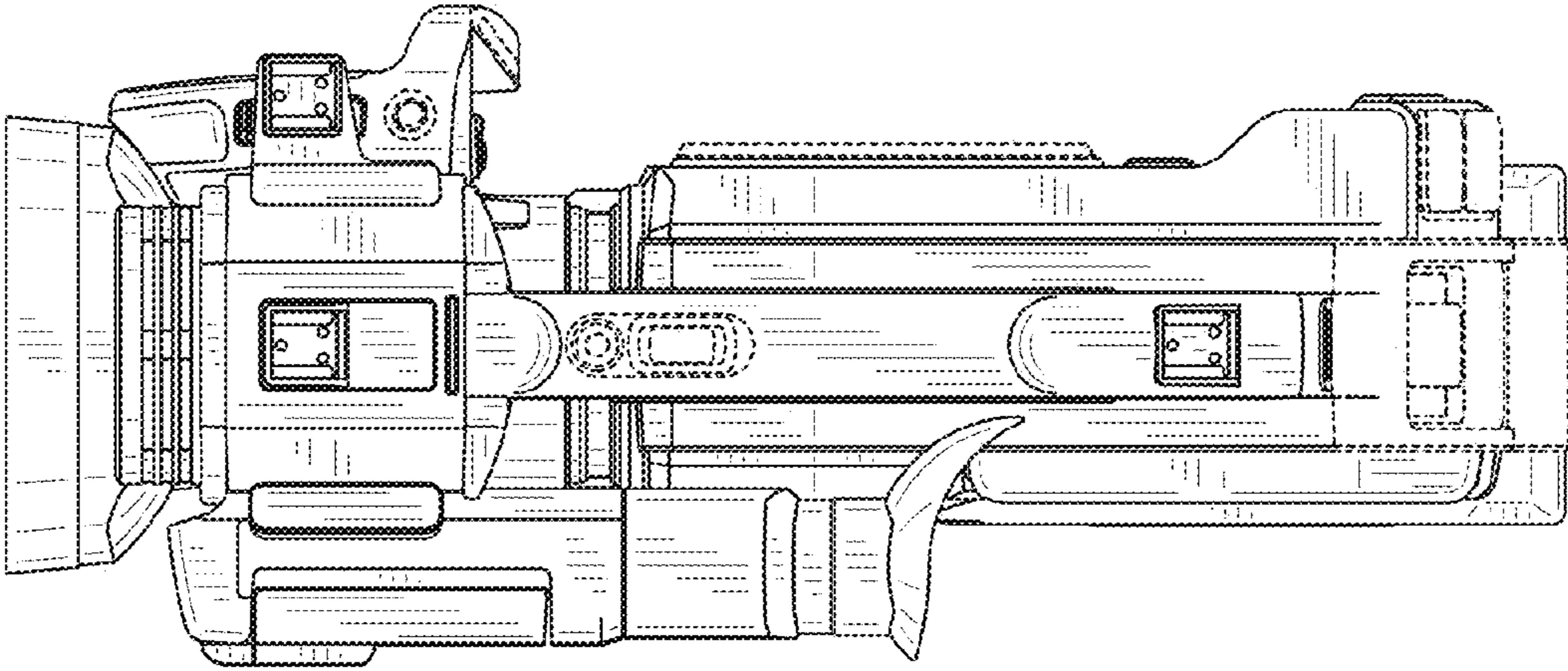


FIG. 6

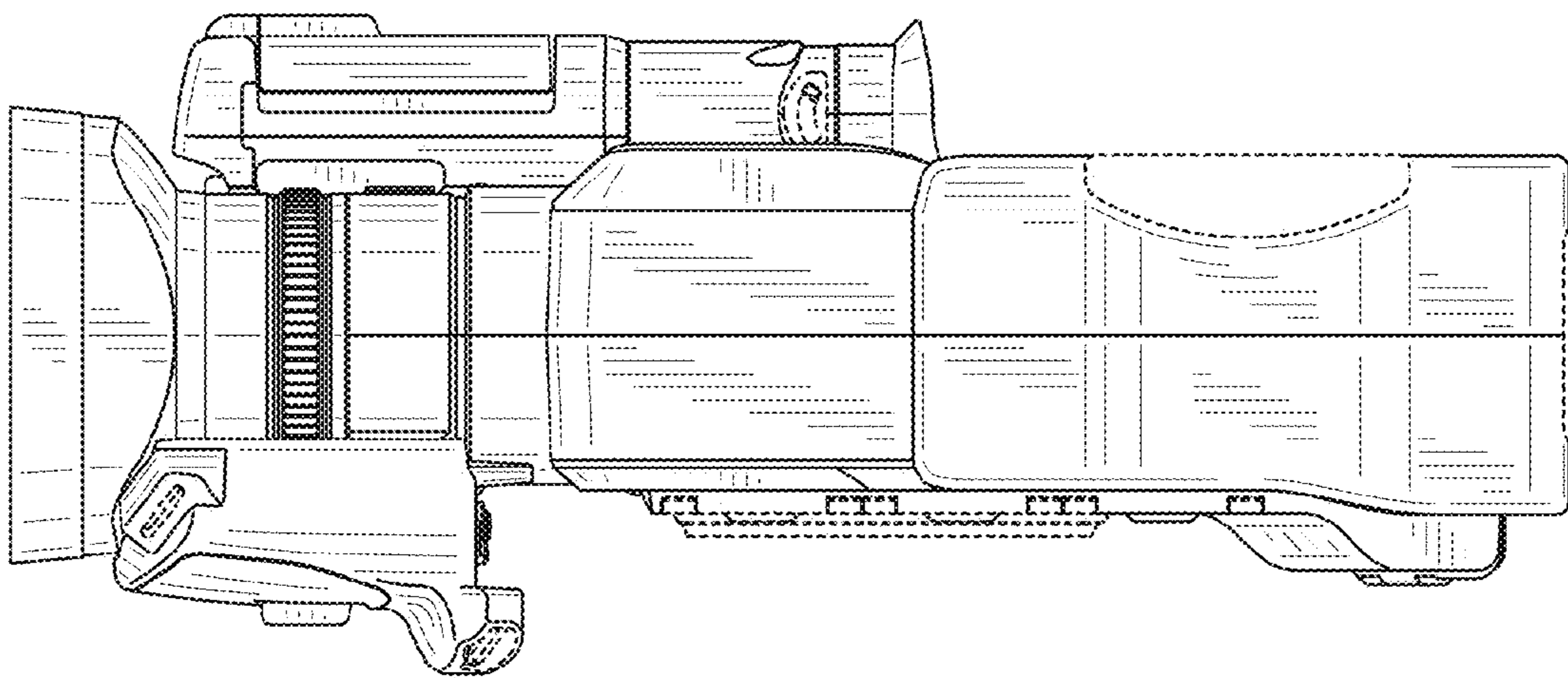


FIG. 7

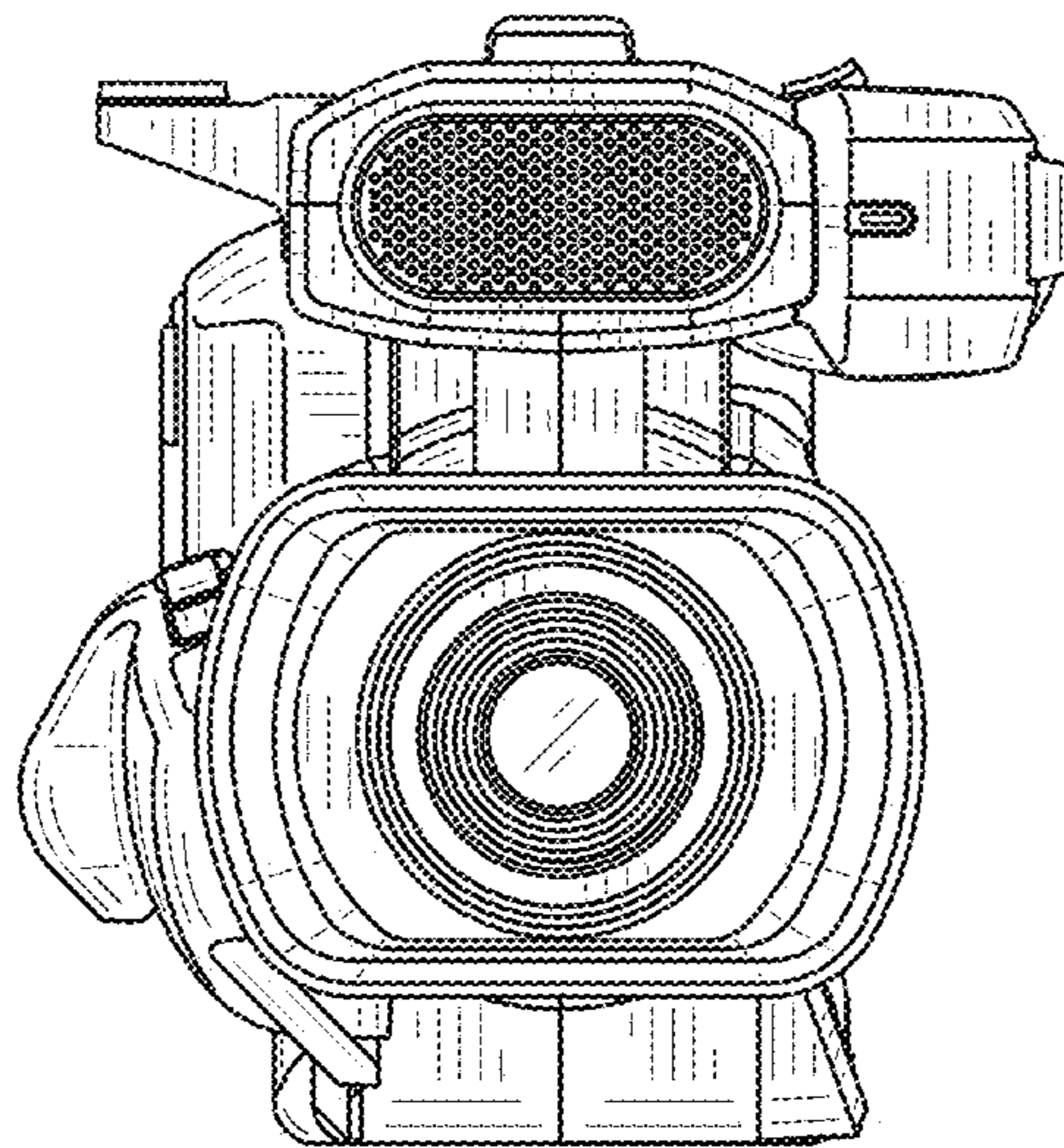


FIG. 8

