



US00D719194S

(12) **United States Design Patent**
Lee et al.

(10) **Patent No.:** **US D719,194 S**
(45) **Date of Patent:** **** Dec. 9, 2014**

(54) **SHELF**

(56) **References Cited**

(71) Applicant: **Samsung Electronics Co., Ltd.**,
Suwon-si (KR)
(72) Inventors: **Jong Hyub Lee**, Seoul (KR); **Jang-Won Kim**, Seoul (KR); **Hyun Soo Kim**,
Sungnam-si (KR); **Young Min Park**,
Seoul (KR); **Min Hyouk Boo**, Seoul
(KR)
(73) Assignee: **Samsung Electronics Co., Ltd.**,
Suwon-si (KR)

U.S. PATENT DOCUMENTS

3,301,407	A *	1/1967	Jones	211/184
3,905,484	A *	9/1975	Dean et al.	211/184
4,615,276	A *	10/1986	Garabedian	108/61
8,356,865	B2 *	1/2013	Laible	312/404
8,627,965	B2 *	1/2014	Hardy	211/59.3
D701,247	S *	3/2014	Roberson	D15/89
D709,107	S *	7/2014	Kim et al.	D15/89
D709,108	S *	7/2014	Lee et al.	D15/89
D709,533	S *	7/2014	Park et al.	D15/89
2006/0278596	A1 *	12/2006	Parshad	211/184
2007/0029270	A1 *	2/2007	Hawkinson	211/59.3

* cited by examiner

Primary Examiner — Thomas Johannes
Assistant Examiner — Khawaja Anwar
(74) *Attorney, Agent, or Firm* — Ladas & Parry LLP

(**) Term: **14 Years**

(21) Appl. No.: **29/464,330**

(22) Filed: **Aug. 15, 2013**

(57) **CLAIM**

The ornamental design for a shelf, as shown and described.

(30) **Foreign Application Priority Data**

Feb. 15, 2013 (KR) 30-2013-0008082

(51) **LOC (10) Cl.** **15-07**

(52) **U.S. Cl.**
USPC **D15/89**

(58) **Field of Classification Search**
USPC D15/79-90; 312/400-408, 116;
62/3.1-3.64, 98, 236, 275, 293, 331,
62/344, 352, 371, 440, 467, 529, 531;
211/184; D6/511, 574
See application file for complete search history.

DESCRIPTION

FIG. 1 is the front perspective view of a shelf showing our new design;
FIG. 2 is a front view thereof;
FIG. 3 is a rear view thereof;
FIG. 4 is a left-side view thereof;
FIG. 5 is a right-side view thereof;
FIG. 6 is a top plan view thereof;
FIG. 7 is a bottom plan view thereof; and,
FIG. 8 illustrates the shelf installed in an unclaimed environment.
The broken lines in the drawings show unclaimed environment only and form no part of the claimed design.

1 Claim, 6 Drawing Sheets

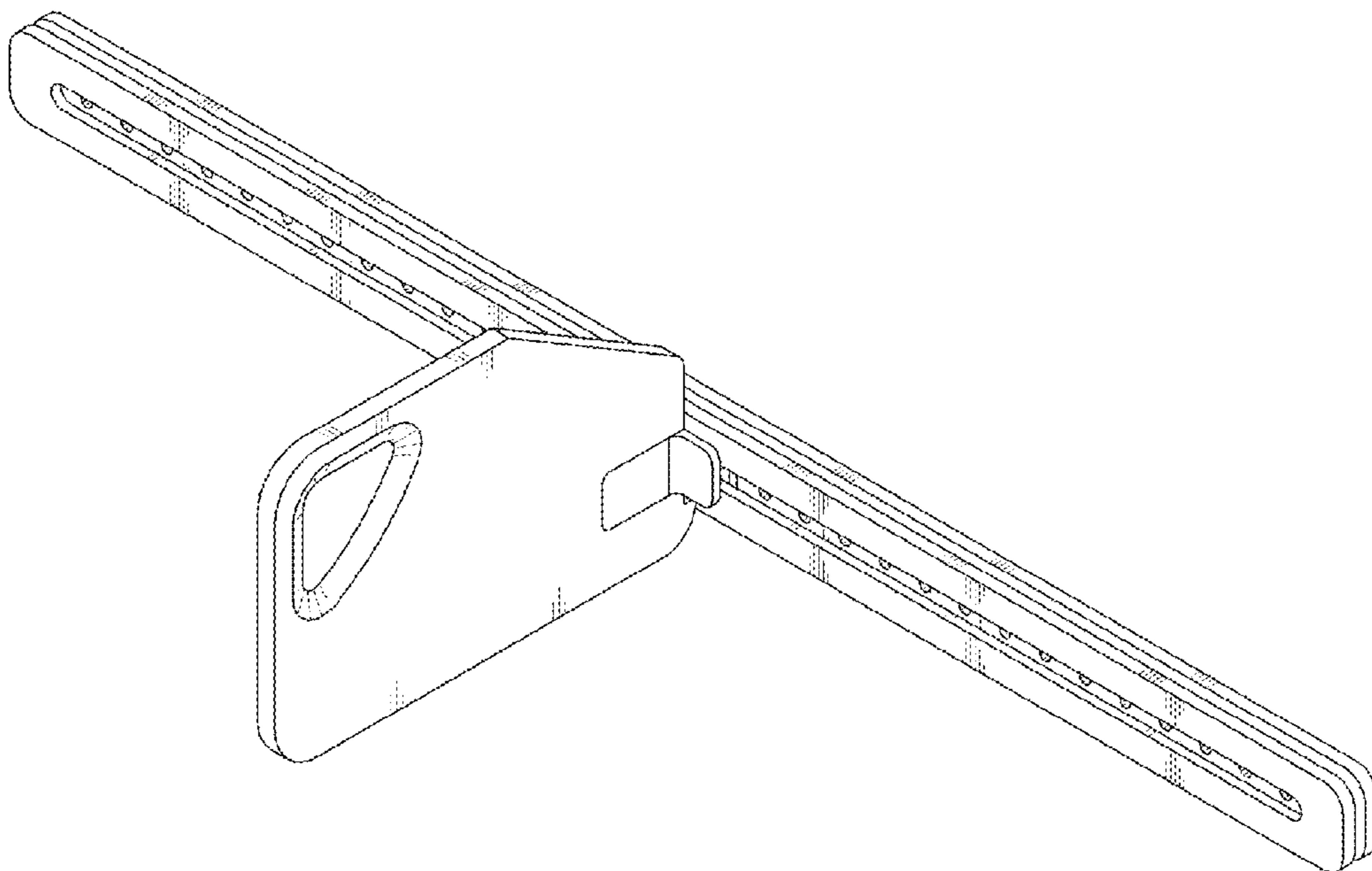


FIG. 1

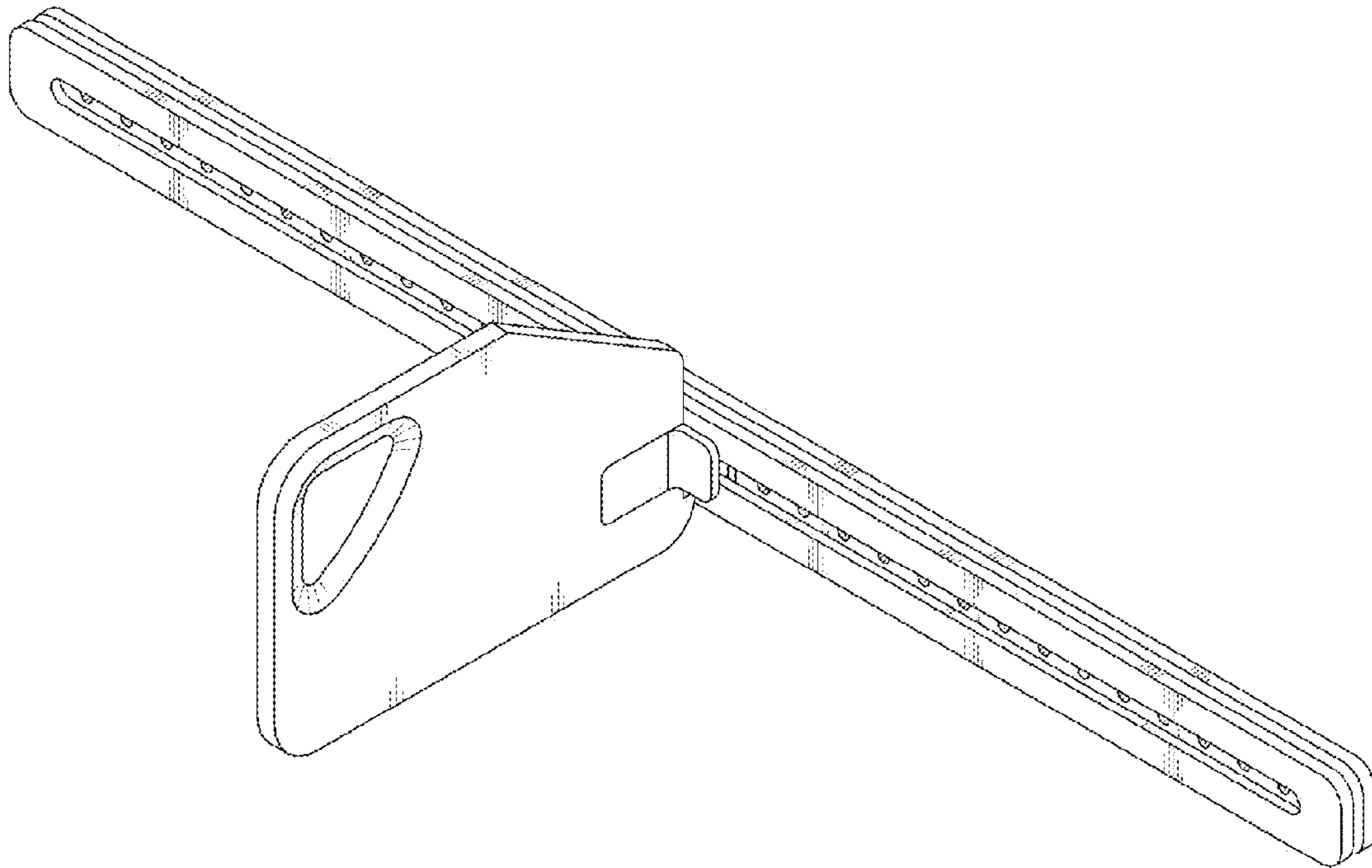


FIG. 2

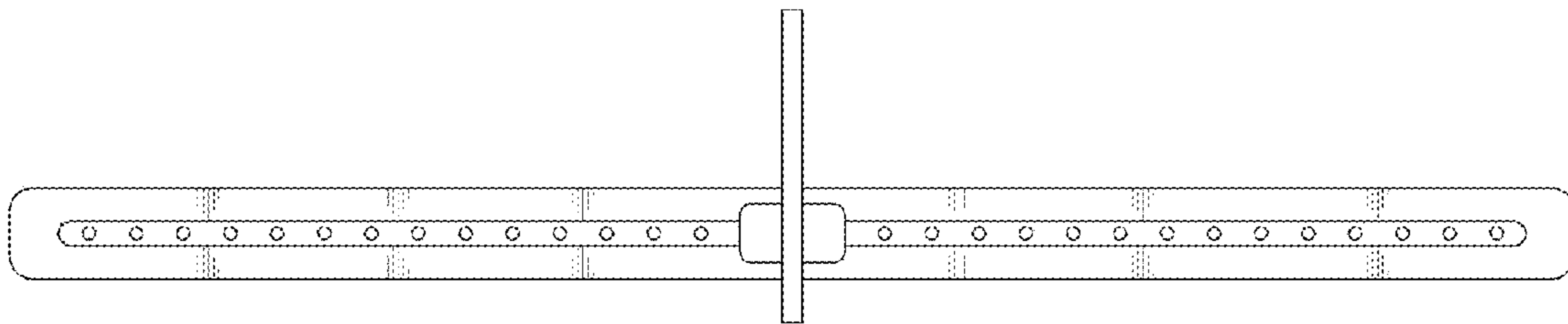


FIG. 3

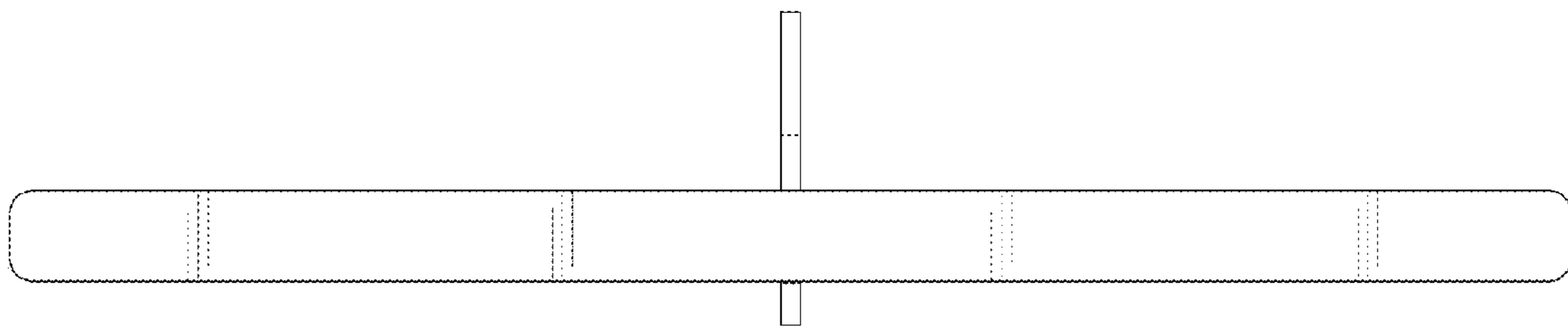


FIG. 4

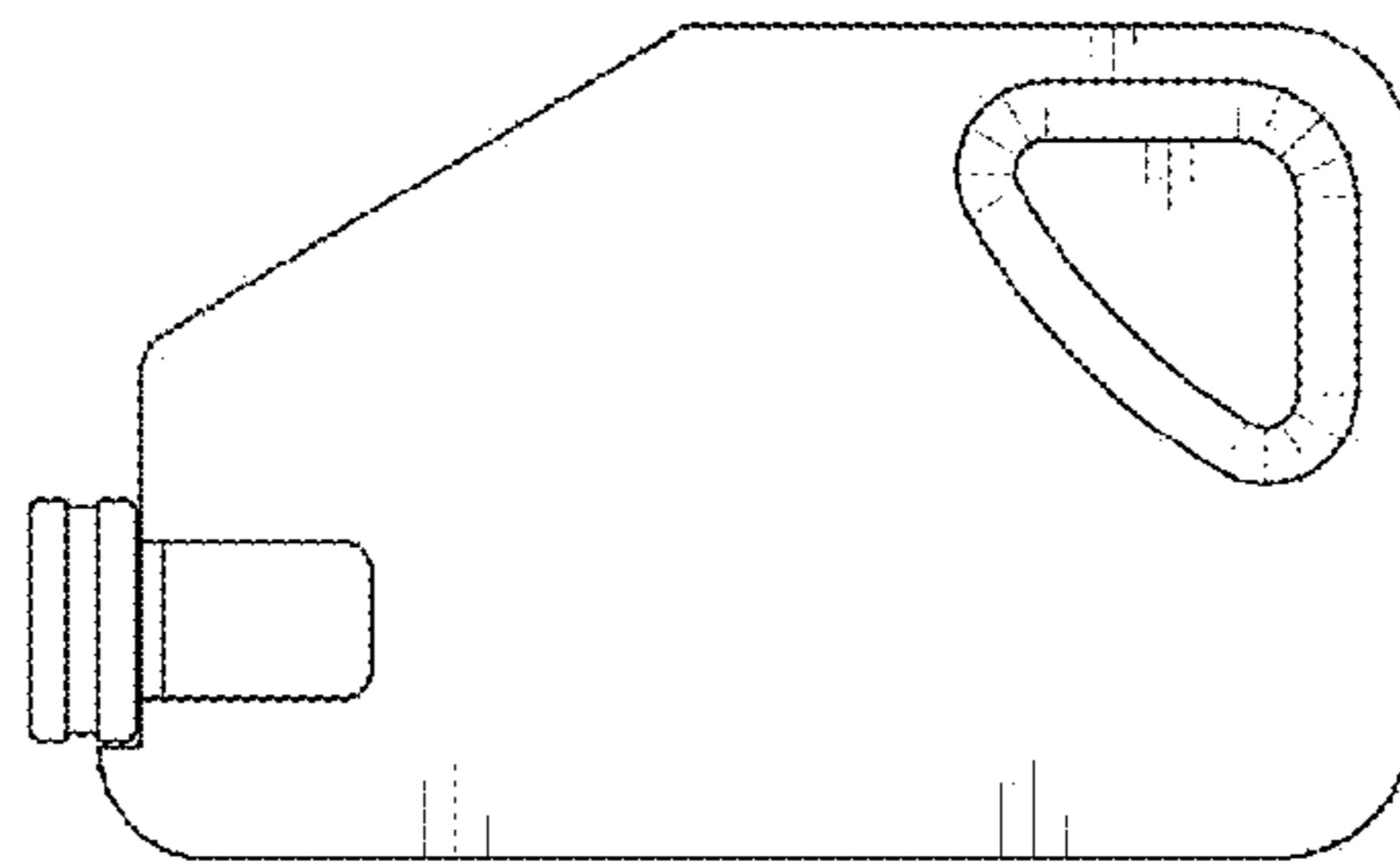


FIG. 5

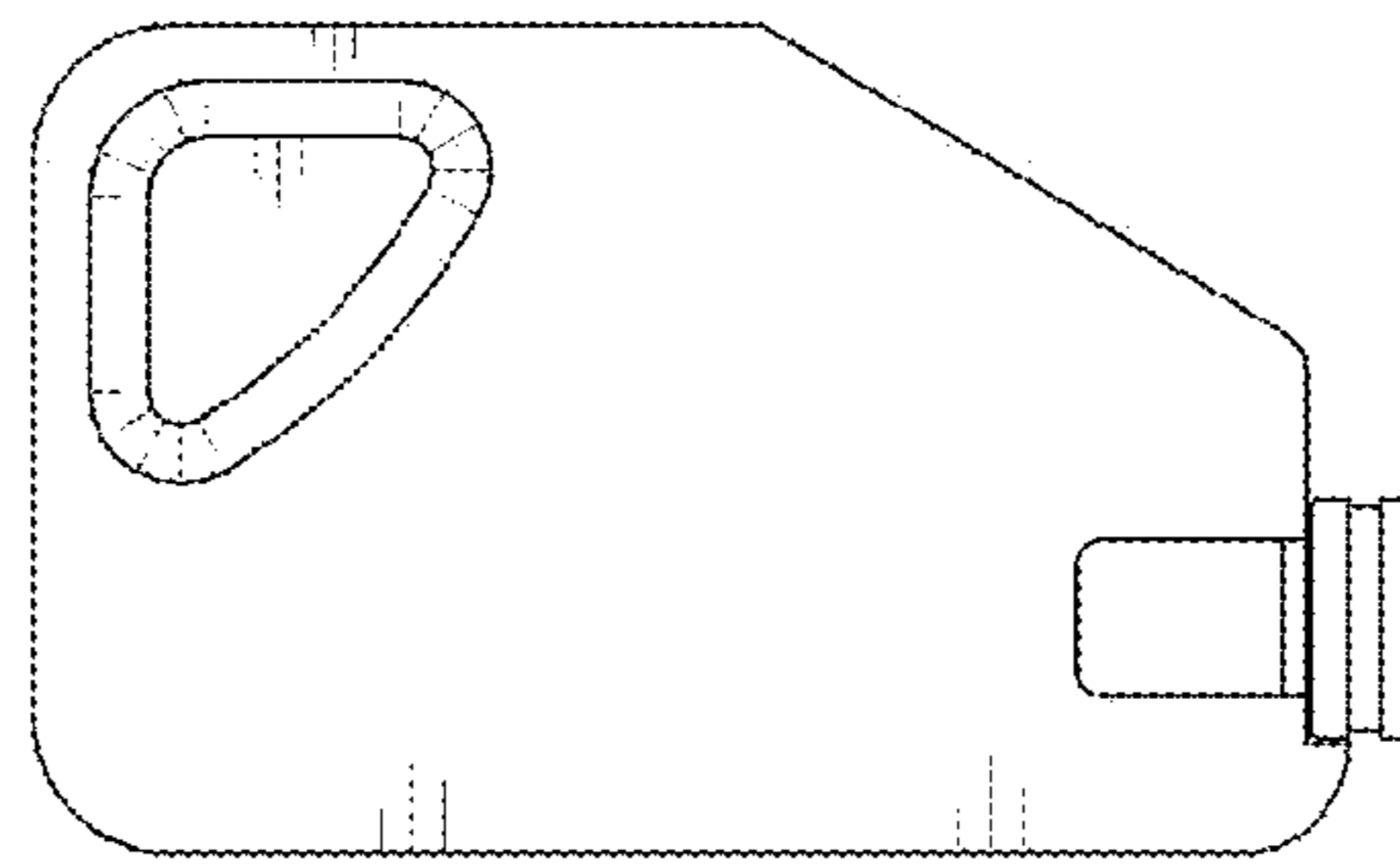


FIG. 6

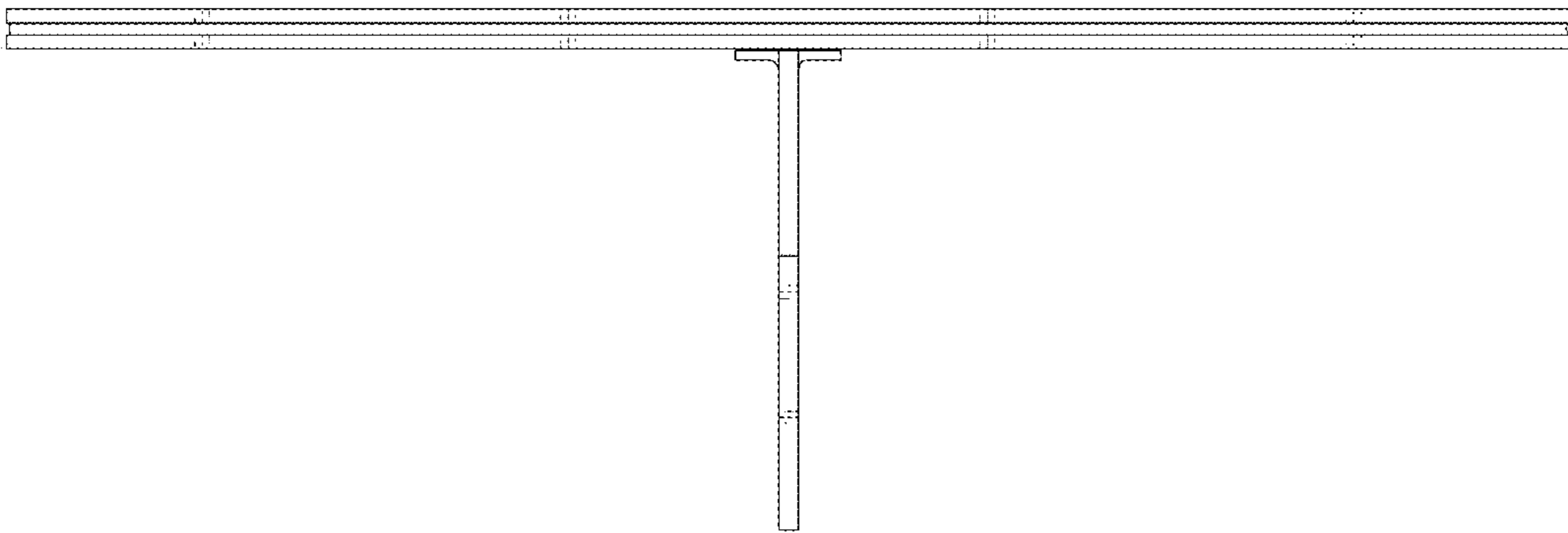


FIG. 7

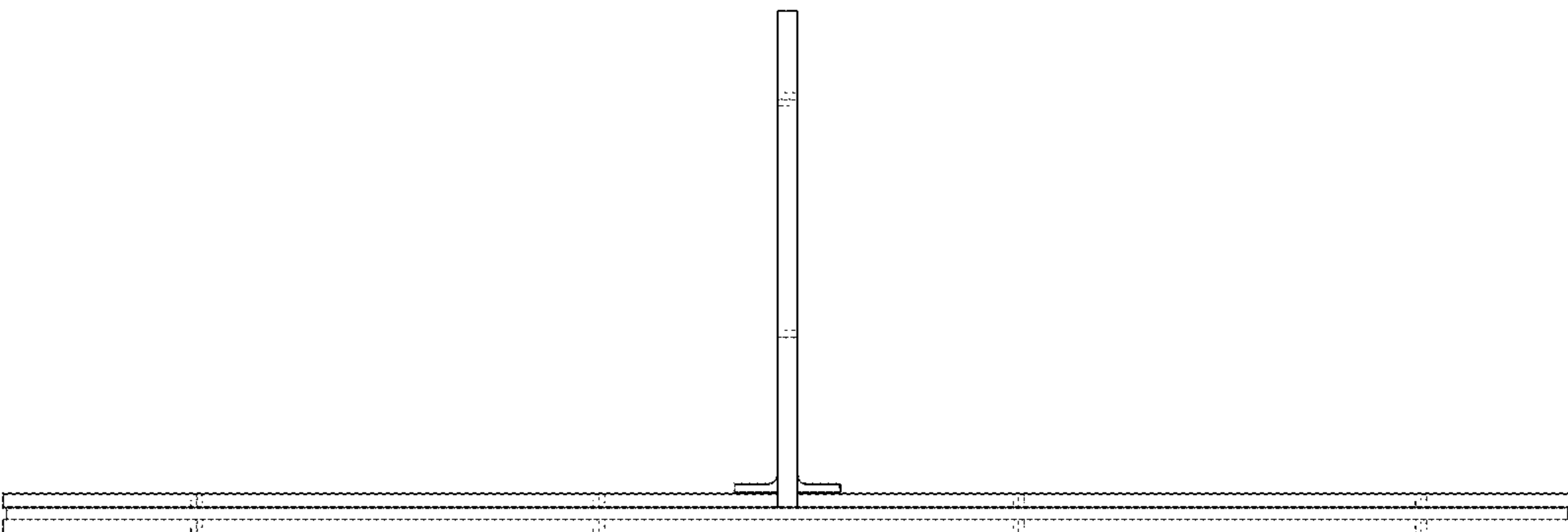


FIG. 8

