



US00D719190S

(12) **United States Design Patent**  
**Berry**

(10) **Patent No.:** **US D719,190 S**

(45) **Date of Patent:** **\*\* Dec. 9, 2014**

(54) **AIR INTAKE SNORKEL FOR A VEHICLE**  
(71) Applicant: **Andrew Berry**, South Croydon (AU)  
(72) Inventor: **Andrew Berry**, South Croydon (AU)  
(73) Assignee: **Australian Performance Development Pty Ltd**, Victoria (AU)

(\*\*) Term: **14 Years**  
(21) Appl. No.: **29/466,043**  
(22) Filed: **Sep. 4, 2013**

(30) **Foreign Application Priority Data**  
Mar. 4, 2013 (AU) ..... 11019/2013  
(51) **LOC (10) Cl.** ..... **15-01**  
(52) **U.S. Cl.**  
USPC ..... **D15/5; D12/400**  
(58) **Field of Classification Search**  
USPC ..... D15/1-6; 123/184.21, 184.24, 184.34,  
123/184.35, 23.2, 184.48, 184.42;  
D12/400, 194, 206, 418; D24/110.5,  
D24/110.6  
See application file for complete search history.

(56) **References Cited**  
U.S. PATENT DOCUMENTS  
6,564,766 B2 5/2003 Ayton  
6,637,537 B2 10/2003 Porter et al.  
6,966,292 B2 11/2005 Huang  
D532,019 S 11/2006 Huang  
D545,725 S 7/2007 Zimbardo  
7,281,511 B2 10/2007 Quezada  
D562,749 S 2/2008 LaRussa  
7,685,985 B2 3/2010 Madeira  
D627,369 S 11/2010 Troxell  
D636,408 S 4/2011 Luxon et al.  
D636,787 S 4/2011 Luxon et al.  
D636,788 S 4/2011 Luxon et al.

D637,205 S 5/2011 Luxon et al.  
D637,206 S 5/2011 Luxon et al.  
D637,623 S 5/2011 Luxon et al.  
D638,446 S 5/2011 Luxon et al.  
D648,745 S \* 11/2011 Luxon et al. .... D15/5  
D649,162 S \* 11/2011 Luxon et al. .... D15/5  
D680,554 S \* 4/2013 Harriton ..... D15/5  
8,434,580 B2 \* 5/2013 Azuma ..... 180/68.3  
2002/0179030 A1 12/2002 Fiesel et al.  
2003/0019456 A1 1/2003 Ayton  
2006/0185639 A1 8/2006 Rosenbaum  
2006/0196462 A1 9/2006 Quezada  
2010/0083928 A1 4/2010 Saito et al.  
2010/0229817 A1 9/2010 Hirai  
2010/0229818 A1 9/2010 Silvano  
2012/0152632 A1 \* 6/2012 Azuma ..... 180/68.3

\* cited by examiner

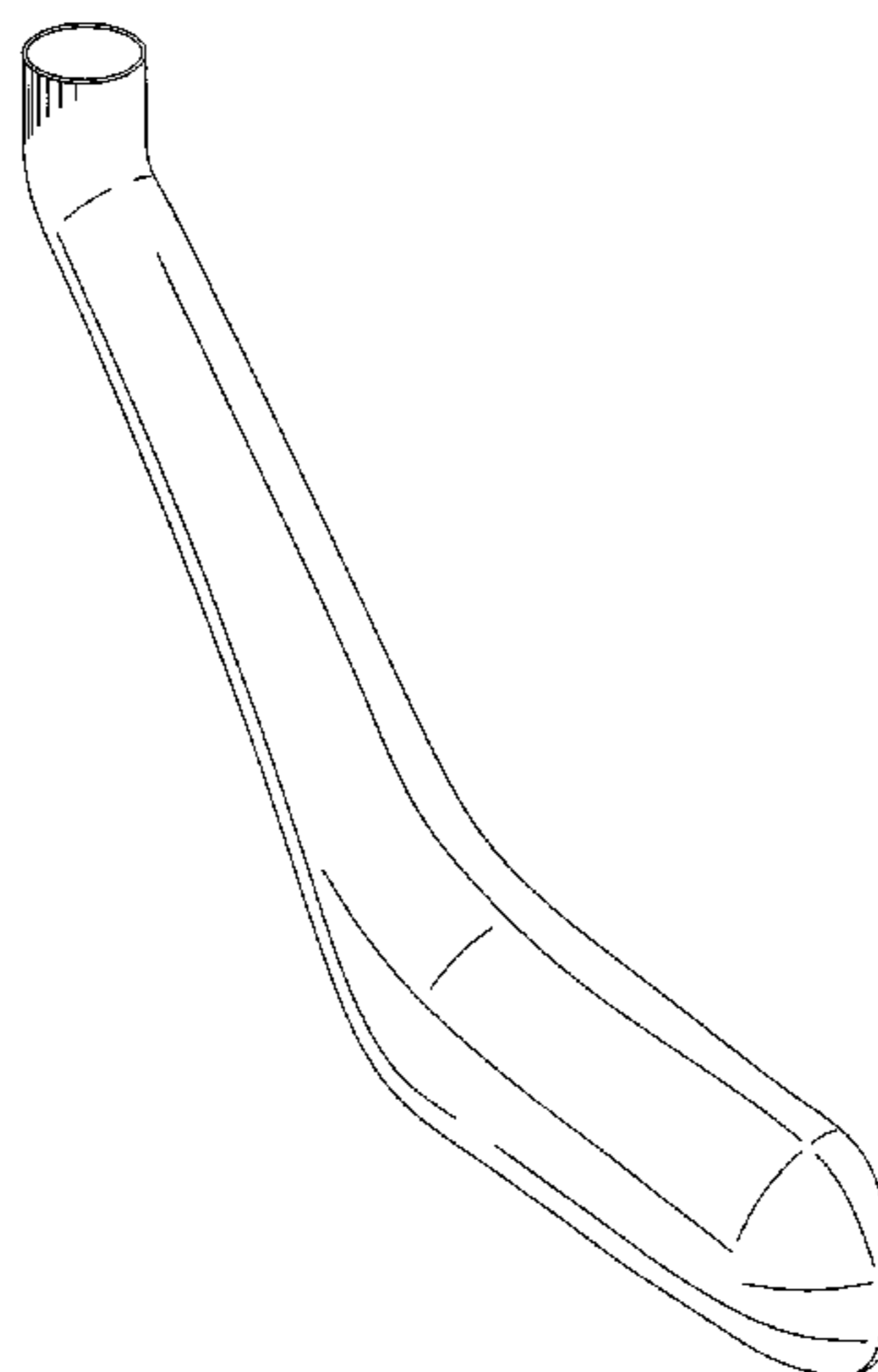
*Primary Examiner* — T. Chase Nelson  
*Assistant Examiner* — Ania Aman  
(74) *Attorney, Agent, or Firm* — Duane Morris LLP

(57) **CLAIM**  
The ornamental design for an air intake snorkel for a vehicle, as shown and described.

**DESCRIPTION**

FIG. 1 is a left front perspective view of the air intake snorkel for a vehicle of the present invention.  
FIG. 2 is a right front perspective view of the present invention.  
FIG. 3 is a left side elevational view of the present invention.  
FIG. 4 is a right side elevational view of the present invention.  
FIG. 5 is a front elevational view of the present invention.  
FIG. 6 is a rear elevational view of the present invention.  
FIG. 7 is a top plan view of the present invention; and,  
FIG. 8 is a bottom plan view of the present invention.  
The broken lines showing environmental structure are for illustrative purposes only and form no part of the claimed design.

**1 Claim, 8 Drawing Sheets**



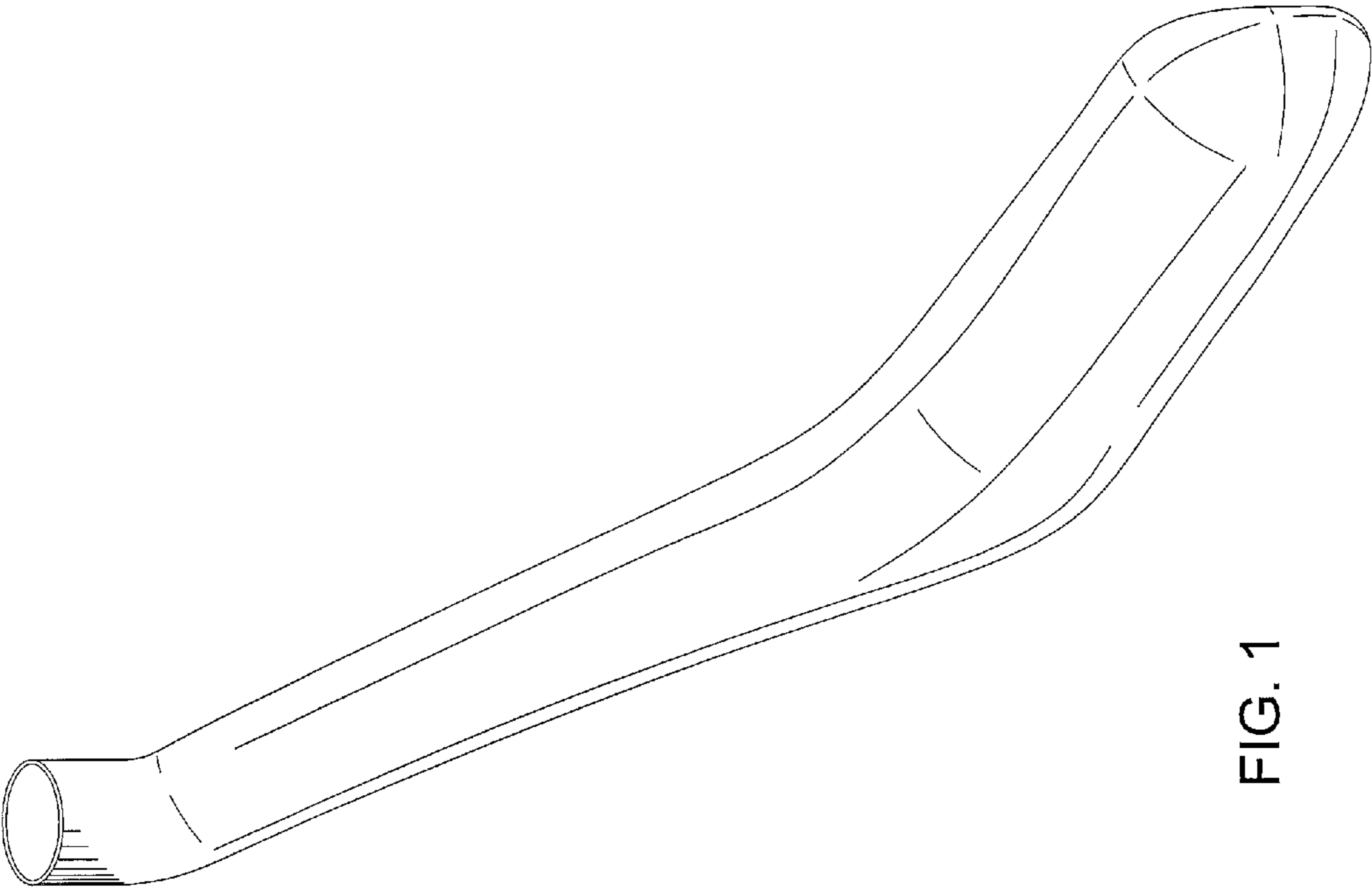


FIG. 1

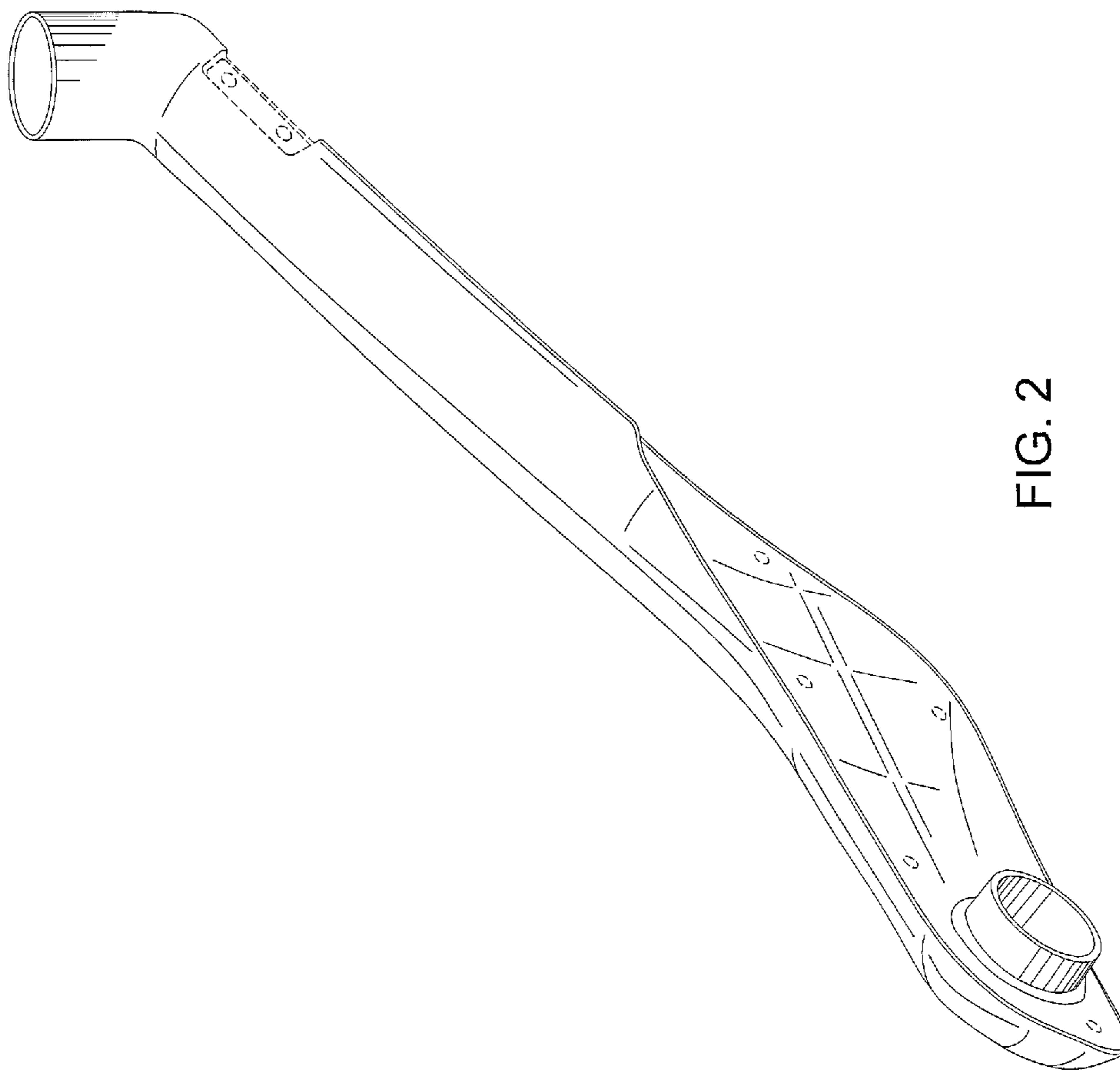


FIG. 2

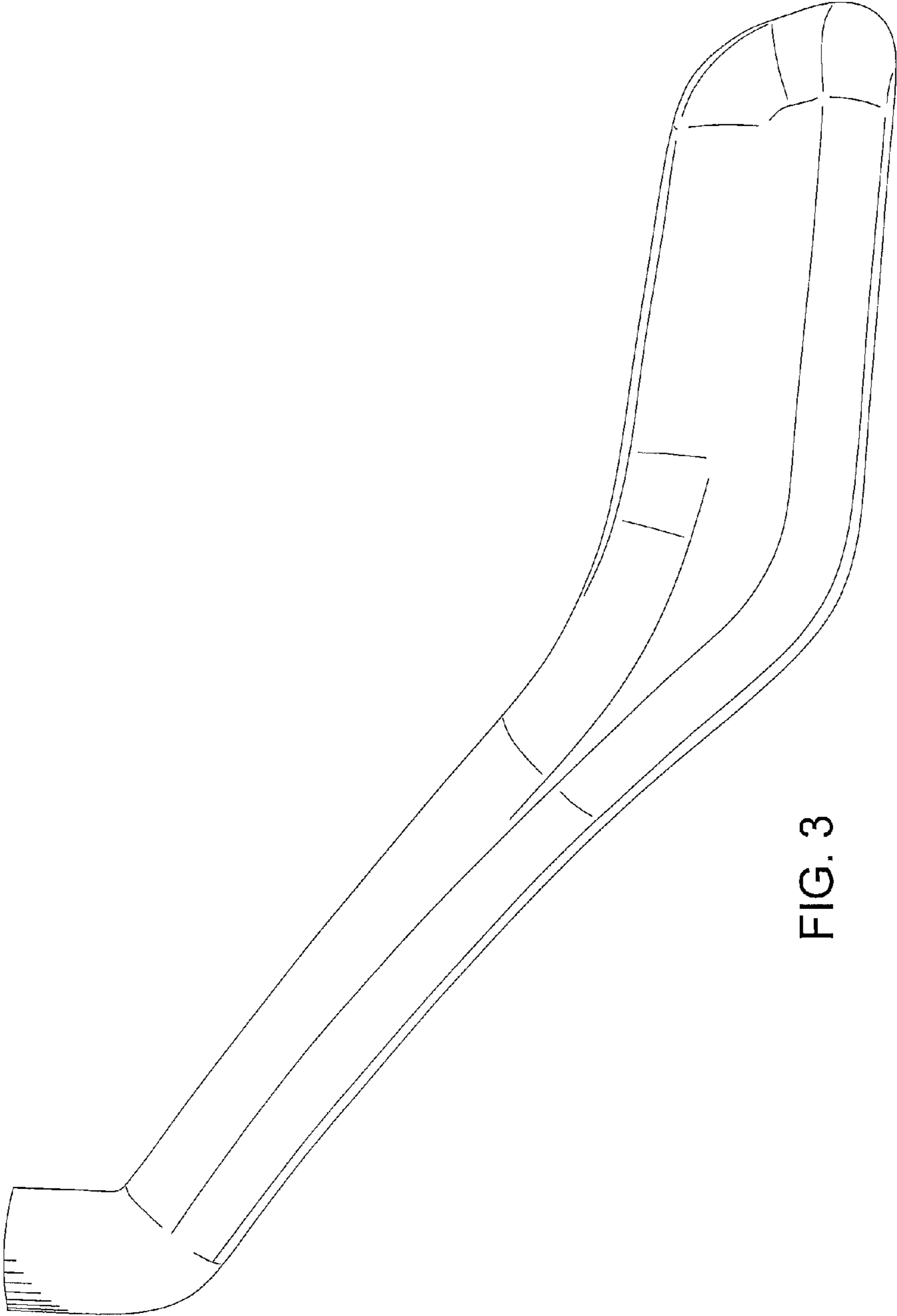


FIG. 3

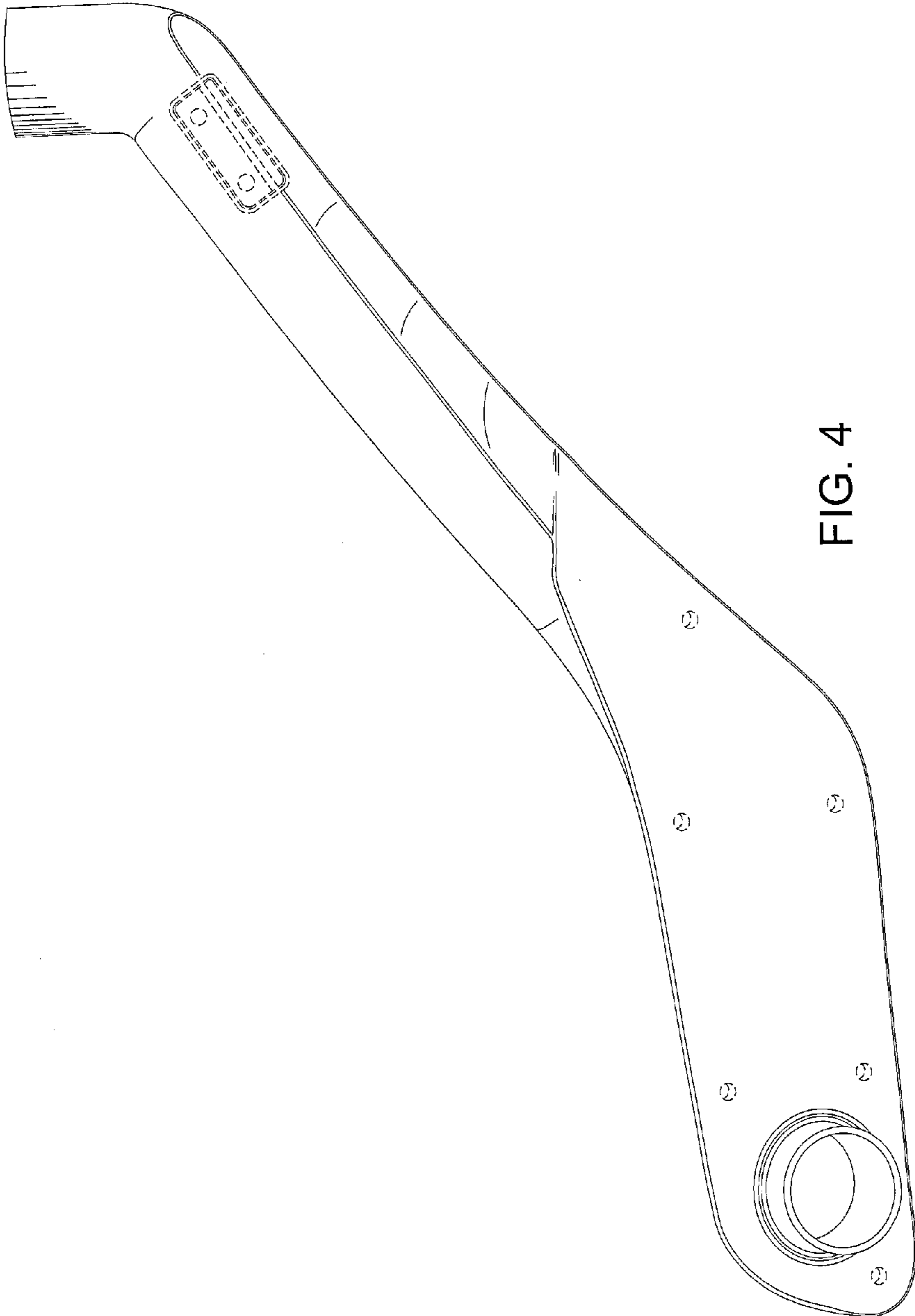


FIG. 4

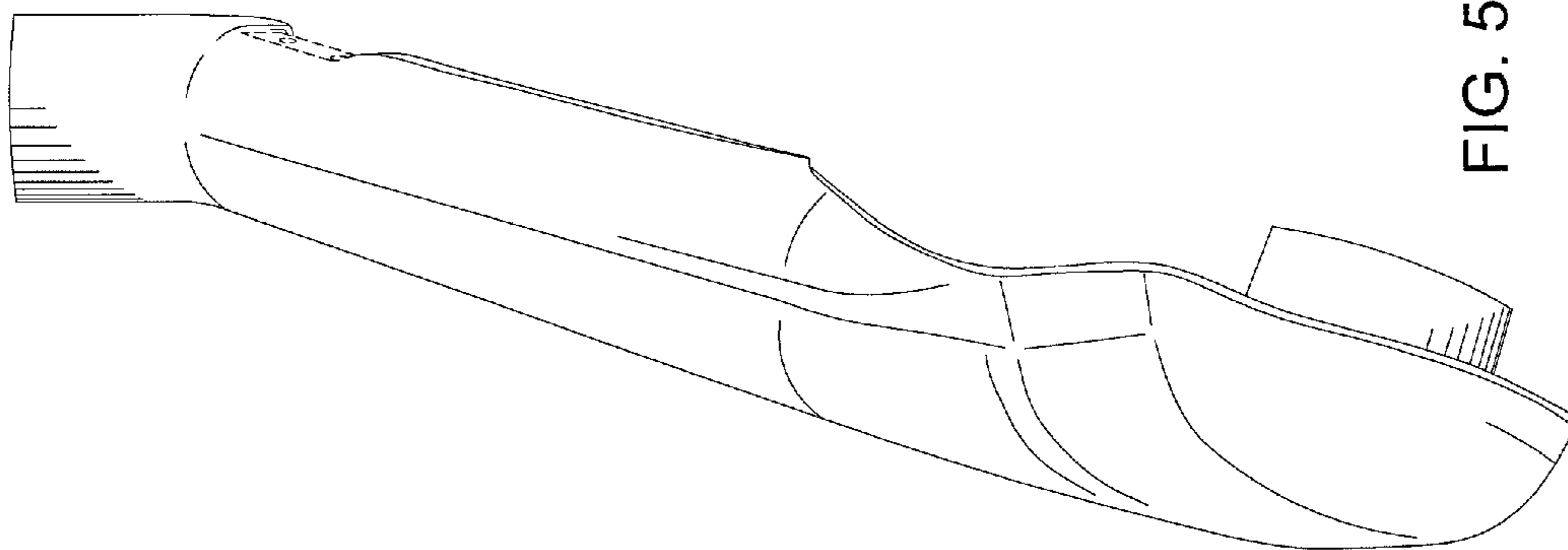


FIG. 5

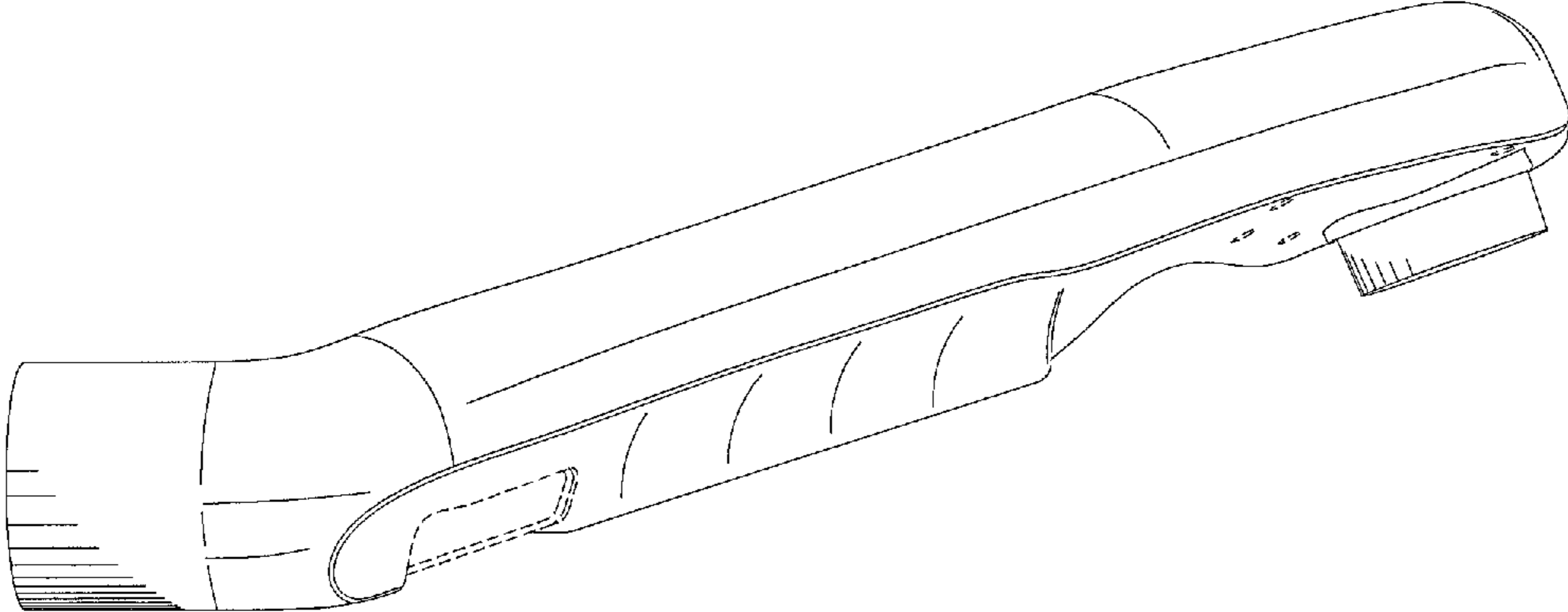


FIG. 6



FIG. 7



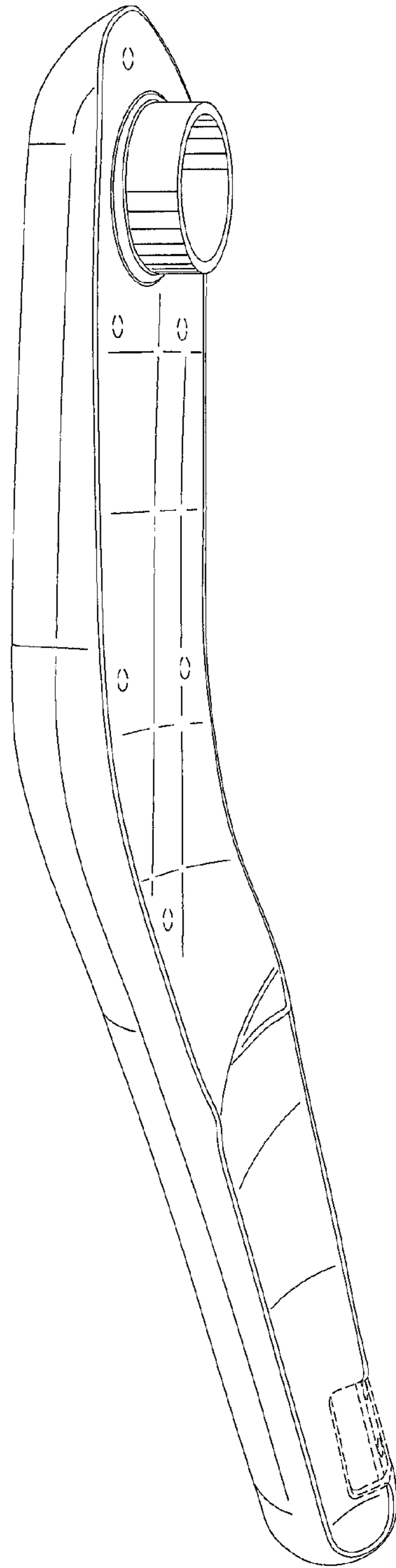


FIG. 8