



US00D719189S

(12) **United States Design Patent**
Brinda et al.

(10) **Patent No.:** **US D719,189 S**

(45) **Date of Patent:** **** Dec. 9, 2014**

(54) **PORTION OF A DISPLAY SCREEN WITH
ICON**

(75) Inventors: **David Brinda**, Bellevue, WA (US);
Ashley Yousling, Bellevue, WA (US);
Sheng-Hsin Huang, Taoyuan County
(TW); **Chuan-Feng Yeh**, Taoyuan
County (TW); **Hsiang-Ning Wu**,
Taoyuan County (TW)

(73) Assignee: **HTC Corporation**, Taoyuan County
(TW)

(**) Term: **14 Years**

(21) Appl. No.: **29/414,046**

(22) Filed: **Feb. 23, 2012**

(51) **LOC (10) Cl.** **14-04**

(52) **U.S. Cl.**
USPC **D14/492**

(58) **Field of Classification Search**
CPC G06F 17/50; G06F 15/00; G06F 15/02;
G06F 15/0208; G06F 15/0225; G06F 15/0283;
G06F 3/04817; G06F 3/0481; G06F 3/048
USPC D14/485–495
See application file for complete search history.

(56) **References Cited**

U.S. PATENT DOCUMENTS

D623,195	S	*	9/2010	La et al.	D14/489
D644,242	S	*	8/2011	Matas	D14/489
D676,868	S	*	2/2013	Wagner	D14/489
D677,275	S	*	3/2013	Wujcik et al.	D14/492
D677,278	S	*	3/2013	Wujcik et al.	D14/492
D678,904	S	*	3/2013	Phelan	D14/492
D683,752	S	*	6/2013	Carpenter et al.	D14/489
D688,703	S	*	8/2013	Phelan	D14/492
D702,709	S	*	4/2014	Dellinger et al.	D14/489
D703,227	S	*	4/2014	Aburatowski	D14/489
D703,235	S	*	4/2014	Ma et al.	D14/492
D706,299	S	*	6/2014	Ma et al.	D14/492
2010/0175022	A1	*	7/2010	Diehl et al.	715/784
2011/0264764	A1	*	10/2011	Kewalramani et al.	709/217

* cited by examiner

Primary Examiner — Kevin Rudzinski

(74) *Attorney, Agent, or Firm* — Jianq Chyun IP Office

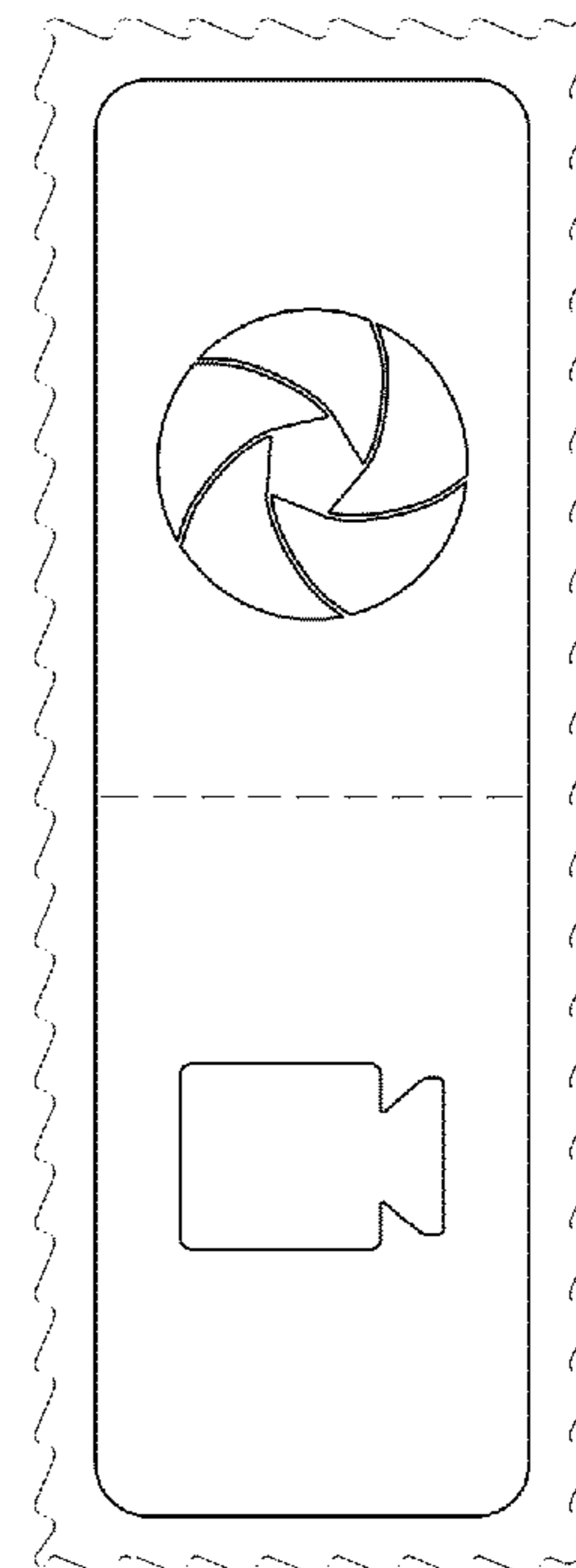
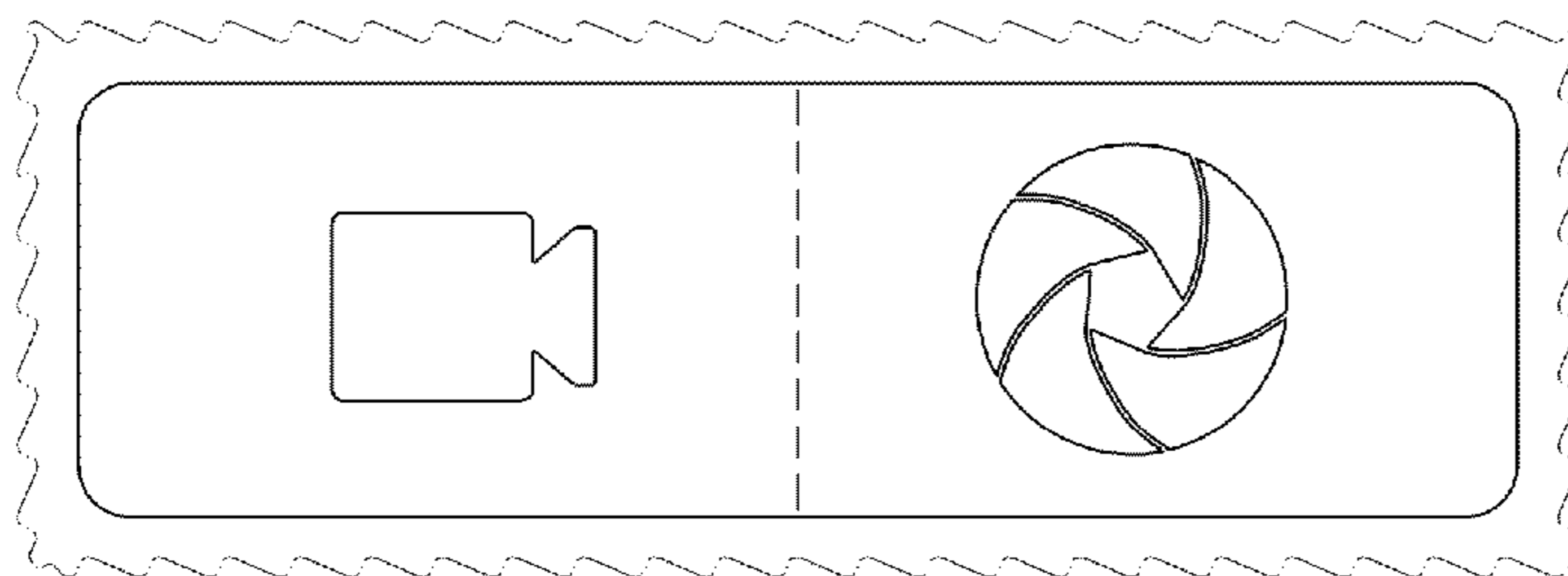
(57) **CLAIM**

The ornamental design for a portion of a display screen with icon, as shown and described.

DESCRIPTION

FIG. 1 is a front view showing a first embodiment of a portion of a display screen with icon showing our new design; and, FIG. 2 is a front view showing a second embodiment of a portion of a display screen with icon showing our new design. The broken line showing of a portion of the icon and display screen is for the purpose of illustrating environmental structure and forms no part of the claimed design.

1 Claim, 1 Drawing Sheet



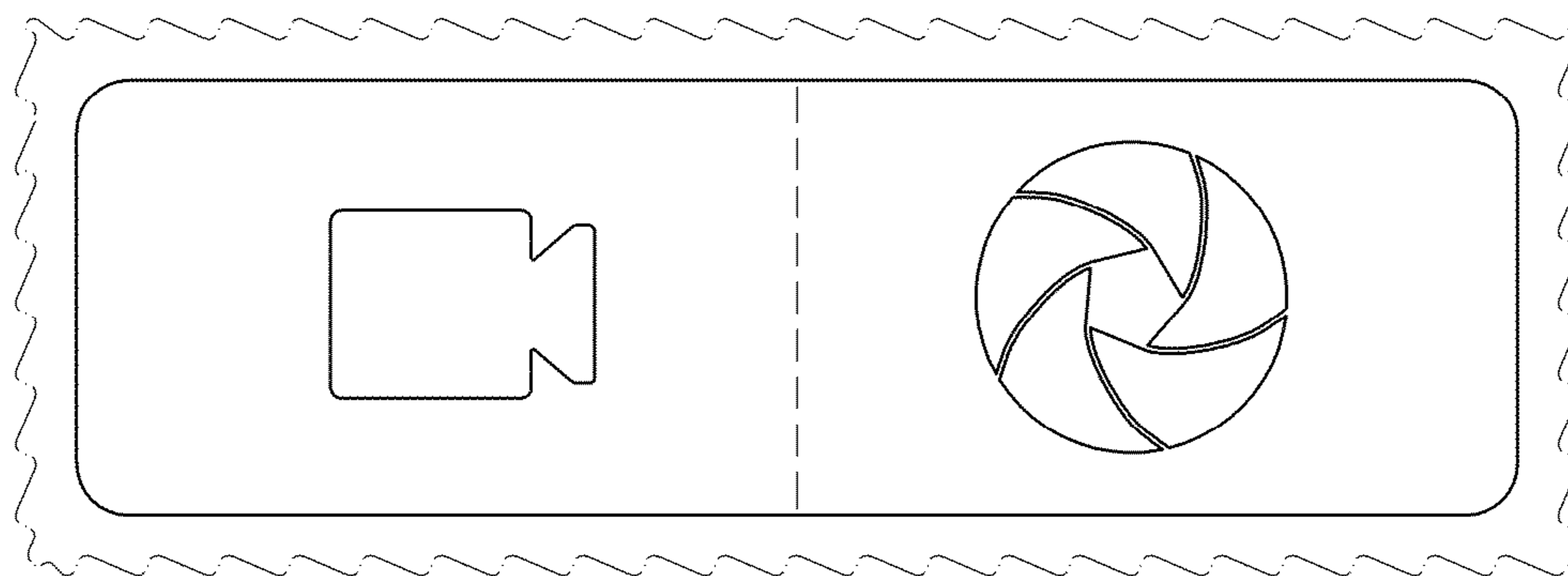


FIG. 1

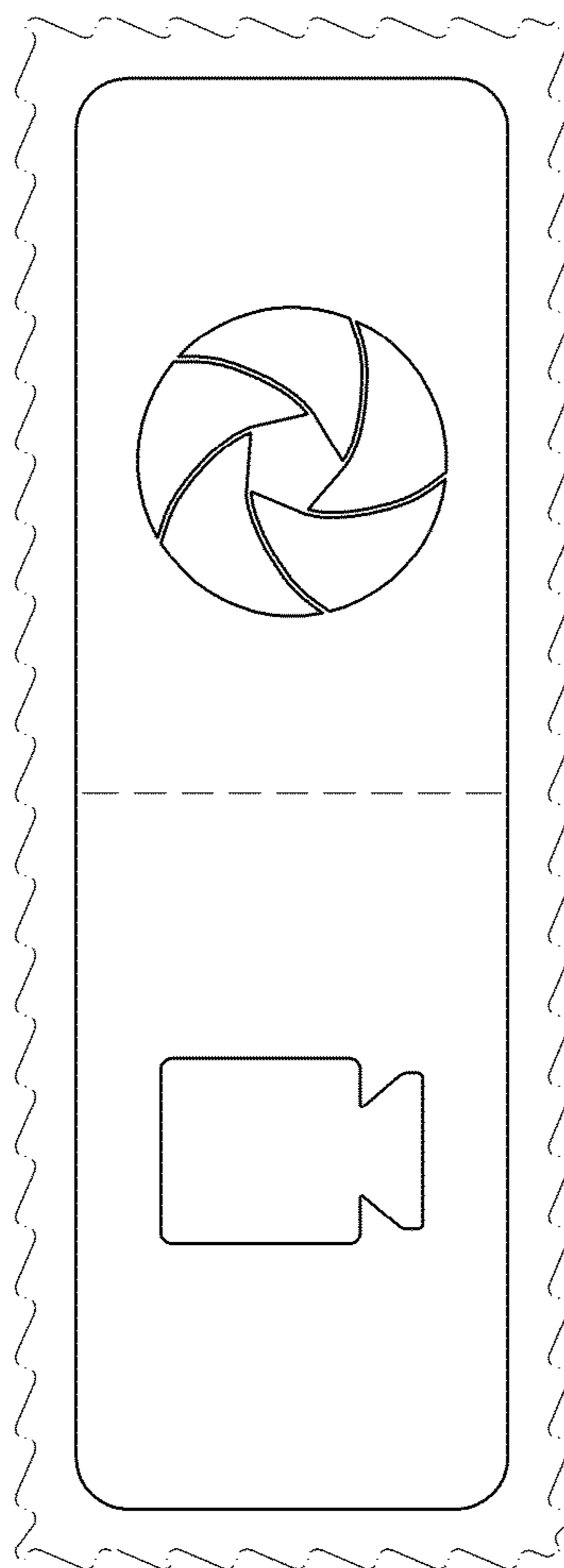


FIG. 2