



US00D719179S

(12) **United States Design Patent**
Daniel

(10) **Patent No.:** **US D719,179 S**
(45) **Date of Patent:** **** Dec. 9, 2014**

- (54) **COMPUTER SCREEN WITH ICON**
- (71) Applicant: **Isaac S. Daniel**, Miramar, FL (US)
- (72) Inventor: **Isaac S. Daniel**, Miramar, FL (US)
- (**) Term: **14 Years**
- (21) Appl. No.: **29/483,237**
- (22) Filed: **Feb. 26, 2014**

Related U.S. Application Data

- (62) Division of application No. 29/428,651, filed on Aug. 1, 2012.
- (51) **LOC (10) Cl.** **14-04**
- (52) **U.S. Cl.**
USPC **D14/485**
- (58) **Field of Classification Search**
CPC G06F 15/00; G06F 15/02; G06F 15/0225;
G06F 3/0488; G06F 3/14; G06F 3/048;
G06F 3/04817; G06F 3/0481
USPC D14/485-495
See application file for complete search history.

(56) **References Cited**

U.S. PATENT DOCUMENTS

- D392,269 S * 3/1998 Mason et al. D14/491
- D438,699 S * 3/2001 Campman D3/215
- 7,119,818 B2 * 10/2006 Takiguchi 715/764
- D566,724 S * 4/2008 Pieratt et al. D14/491
- D580,454 S * 11/2008 Niizawa et al. D14/492
- 7,467,351 B1 * 12/2008 Spells et al. 715/243
- D642,195 S * 7/2011 Marks et al. D14/490

- D650,788 S * 12/2011 Marks et al. D14/487
- D661,585 S * 6/2012 Anderson et al. D9/457
- D667,449 S * 9/2012 Eby et al. D14/492
- D677,194 S * 3/2013 Marovic et al. D11/95
- D677,272 S * 3/2013 Phelan D14/491
- D677,693 S * 3/2013 Koehn et al. D14/492
- D683,358 S * 5/2013 Garn et al. D14/489
- D693,366 S * 11/2013 Daniel D14/489
- D693,367 S * 11/2013 Daniel D14/489
- D695,311 S * 12/2013 Jang et al. D14/491
- D702,725 S * 4/2014 Abratowski et al. D14/489
- D702,731 S * 4/2014 Park et al. D14/492
- D706,293 S * 6/2014 Bautista D14/489
- D708,194 S * 7/2014 Kavett D14/486
- 2005/0166162 A1 * 7/2005 Kaneko 715/856
- 2007/0192725 A1 * 8/2007 Chen et al. 715/779

* cited by examiner

Primary Examiner — Kevin Rudzinski

(74) *Attorney, Agent, or Firm* — Carol N. Green, Esq.

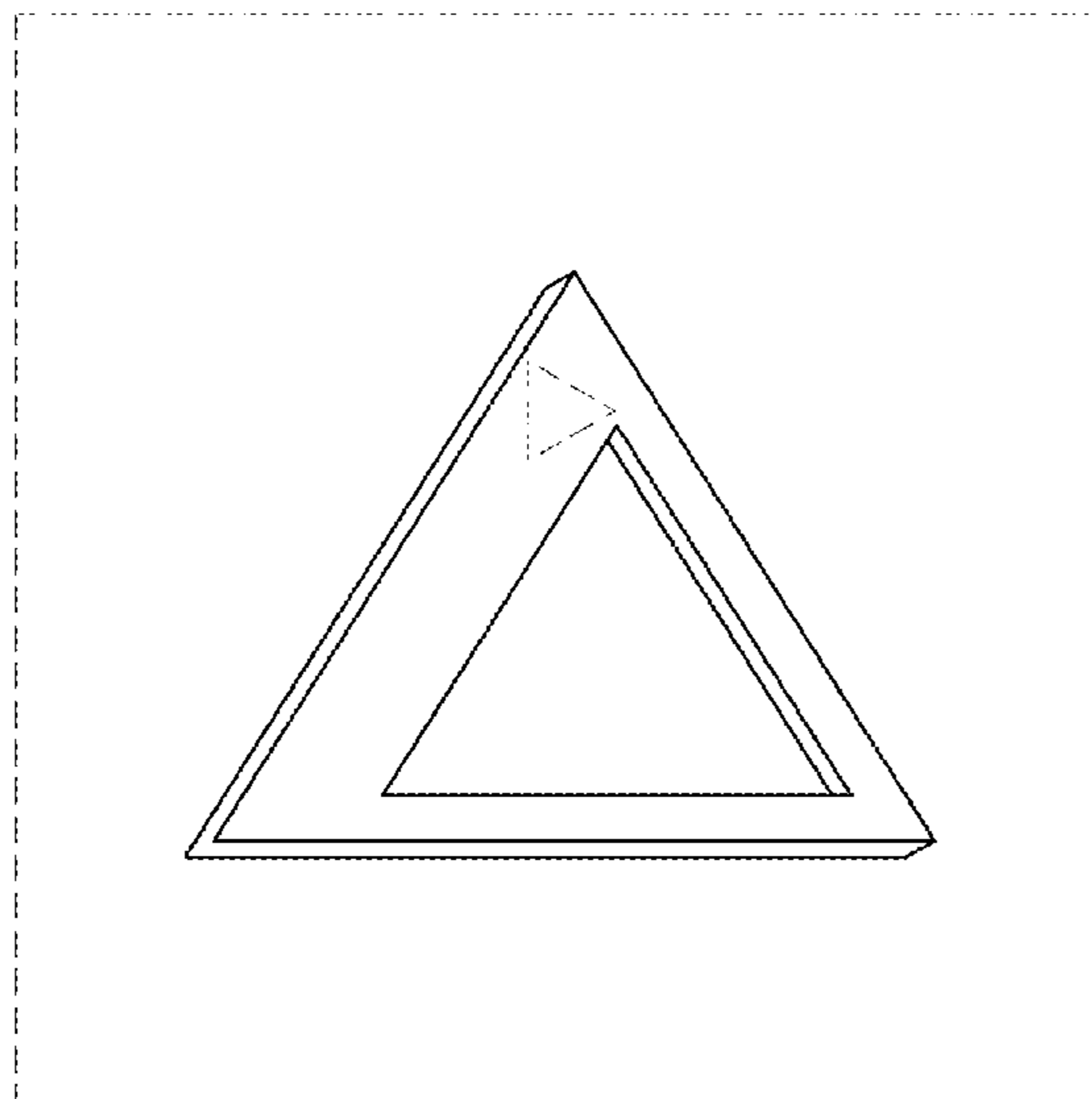
(57) **CLAIM**

The ornamental design for a computer screen with icon, as shown and described.

DESCRIPTION

FIG. 1 is a front view of a computer screen with icon.
 FIG. 2 is a perspective view of the computer screen with icon.
 FIG. 3 is a second perspective view of the computer screen with icon; and,
 FIG. 4 is another embodiment of the computer screen with icon.
 The broken line illustration of the computer screen and portions of the icon form no part of the claimed design.

1 Claim, 2 Drawing Sheets



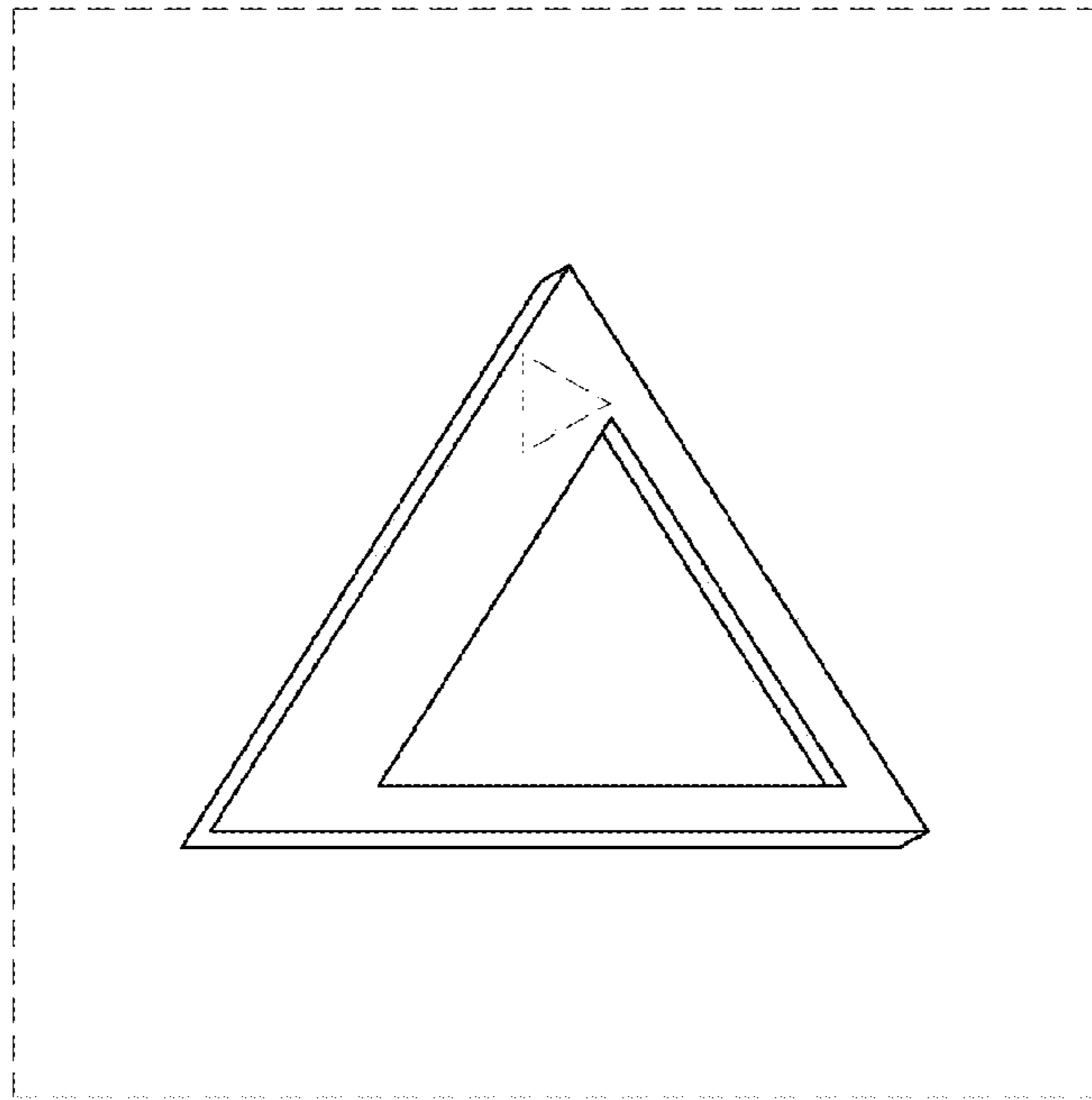


FIG. 1

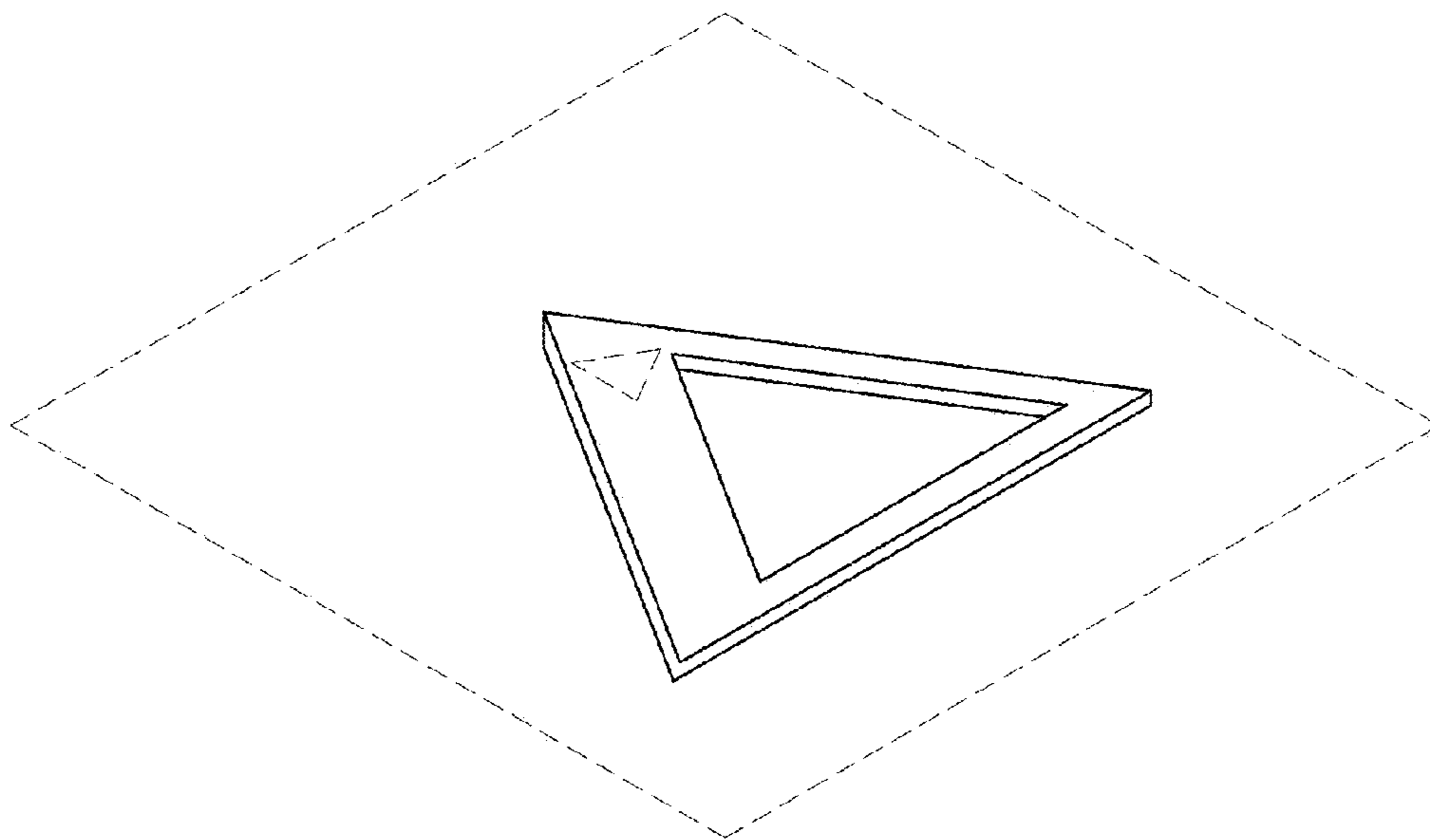


FIG. 2

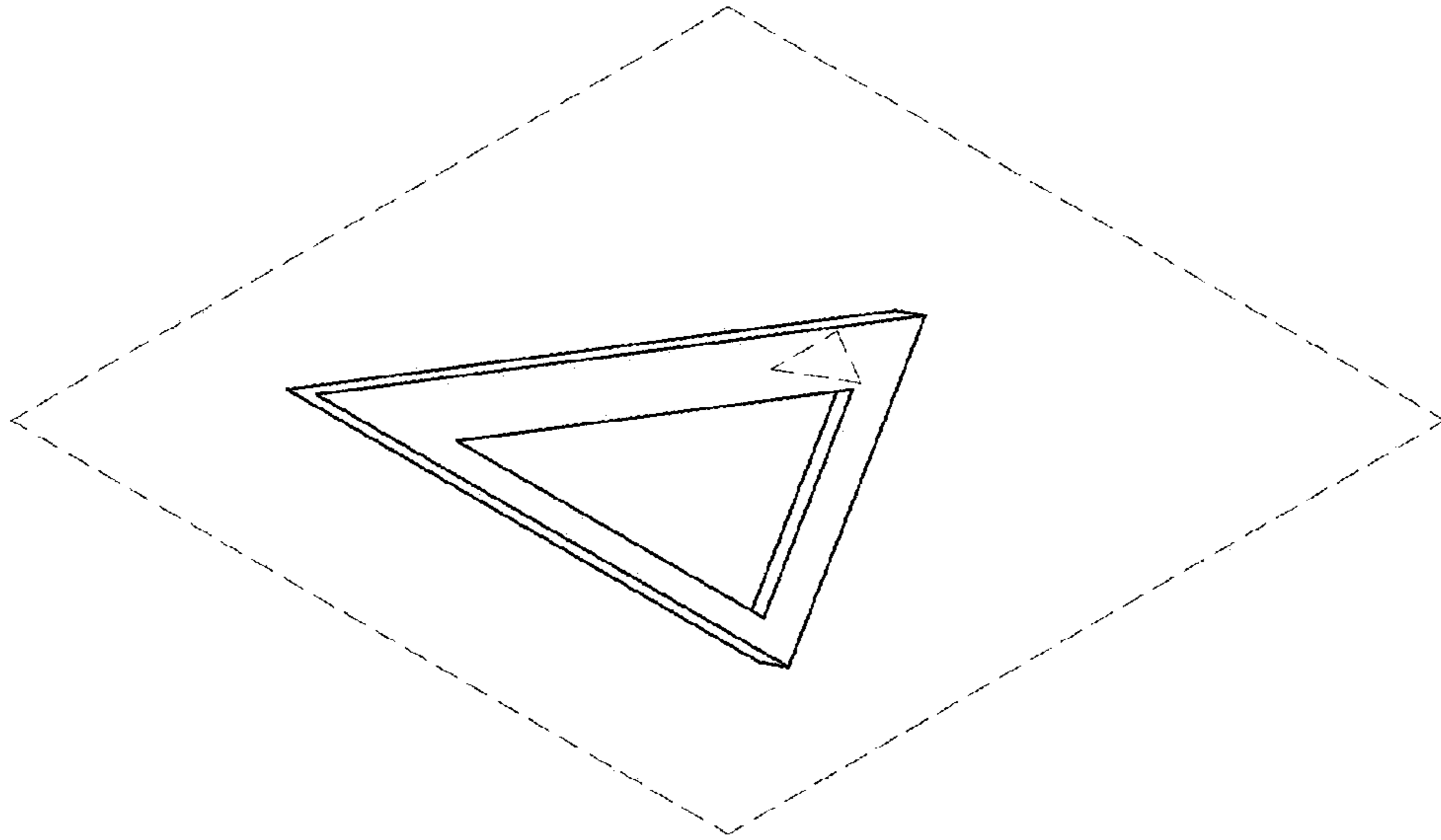


FIG. 3

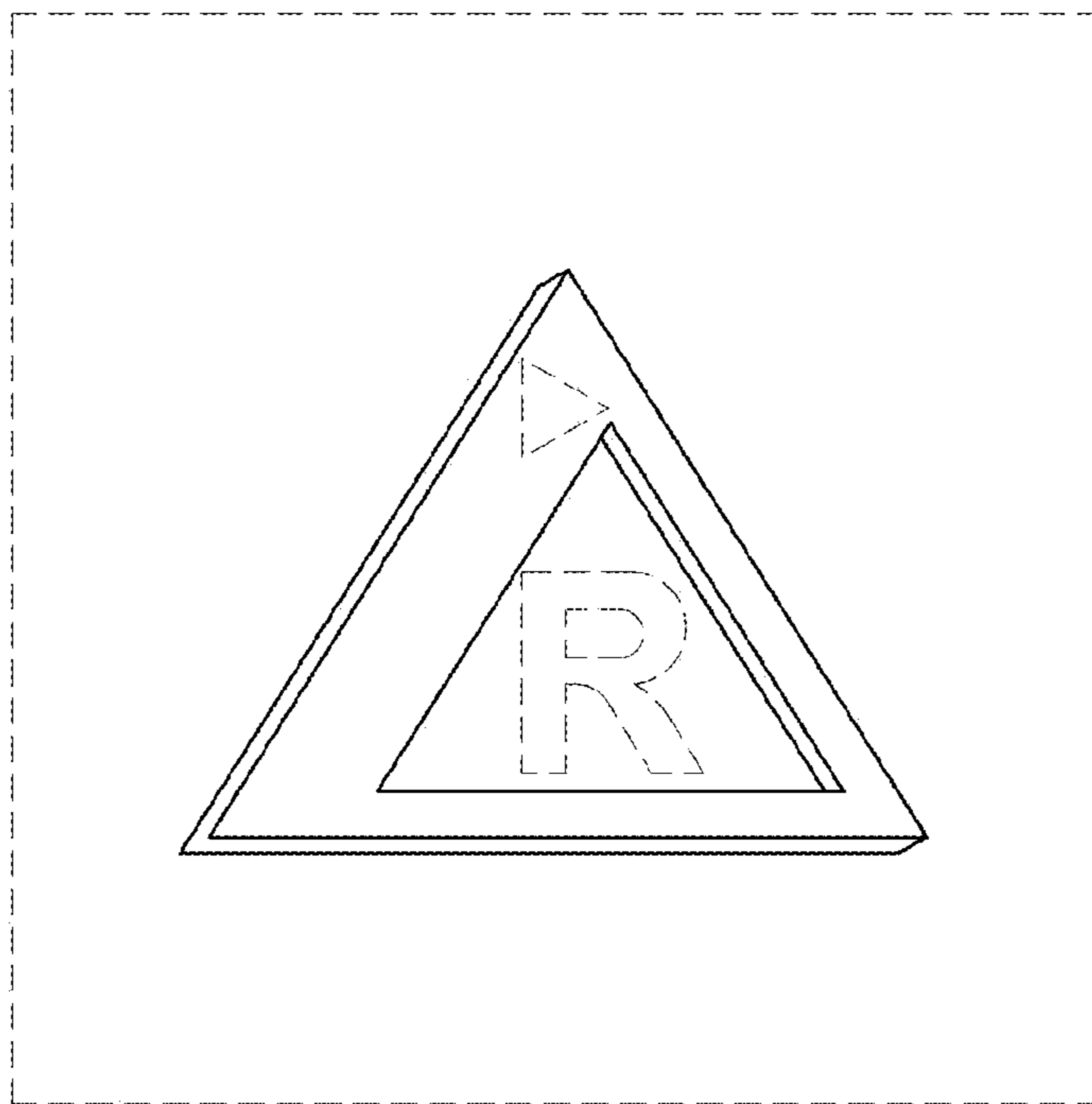


FIG. 4