



US00D719178S

(12) **United States Design Patent**
Daniel

(10) **Patent No.:** **US D719,178 S**

(45) **Date of Patent:** **** Dec. 9, 2014**

(54) **COMPUTER SCREEN WITH ICON**

(71) Applicant: **Isaac S. Daniel**, Miramar, FL (US)

(72) Inventor: **Isaac S. Daniel**, Miramar, FL (US)

(**) Term: **14 Years**

(21) Appl. No.: **29/482,676**

(22) Filed: **Feb. 20, 2014**

Related U.S. Application Data

(62) Division of application No. 29/428,651, filed on Aug. 1, 2012.

(51) **LOC (10) Cl.** **14-04**

(52) **U.S. Cl.**
USPC **D14/485**

(58) **Field of Classification Search**
CPC G06F 15/00; G06F 15/02; G06F 15/0225;
G06F 3/0488; G06F 3/14; G06F 3/048;
G06F 3/04817; G06F 3/0481
USPC D14/485-495
See application file for complete search history.

D594,020	S	*	6/2009	Ball et al.	D14/486
D599,817	S	*	9/2009	Mays	D14/493
D601,168	S	*	9/2009	Barcheck	D14/492
D605,657	S	*	12/2009	Danton	D14/487
D614,666	S	*	4/2010	Pell et al.	D14/493
D615,098	S	*	5/2010	Winjum	D14/492
D617,805	S	*	6/2010	Scalisi et al.	D14/485
D633,526	S	*	3/2011	Trabona et al.	D14/495
D634,753	S	*	3/2011	Loretan et al.	D14/488
D647,534	S	*	10/2011	Doll	D14/486
D665,403	S	*	8/2012	Doll	D14/487
D670,721	S	*	11/2012	Yang et al.	D14/486
D681,652	S	*	5/2013	Oda et al.	D14/485
D682,297	S	*	5/2013	DiJulio et al.	D14/487
D683,358	S	*	5/2013	Garn et al.	D14/489
D684,169	S	*	6/2013	Hudspeth et al.	D14/486
D699,263	S	*	2/2014	Courage et al.	D14/489
2009/0313139	A1	*	12/2009	Nam et al.	705/27
2010/0017742	A1	*	1/2010	Rhodes et al.	715/780

* cited by examiner

Primary Examiner — Kevin Rudzinski

(74) *Attorney, Agent, or Firm* — Carol N. Green, Esq.

(57) **CLAIM**

The ornamental design for a computer screen with icon, as shown and described.

DESCRIPTION

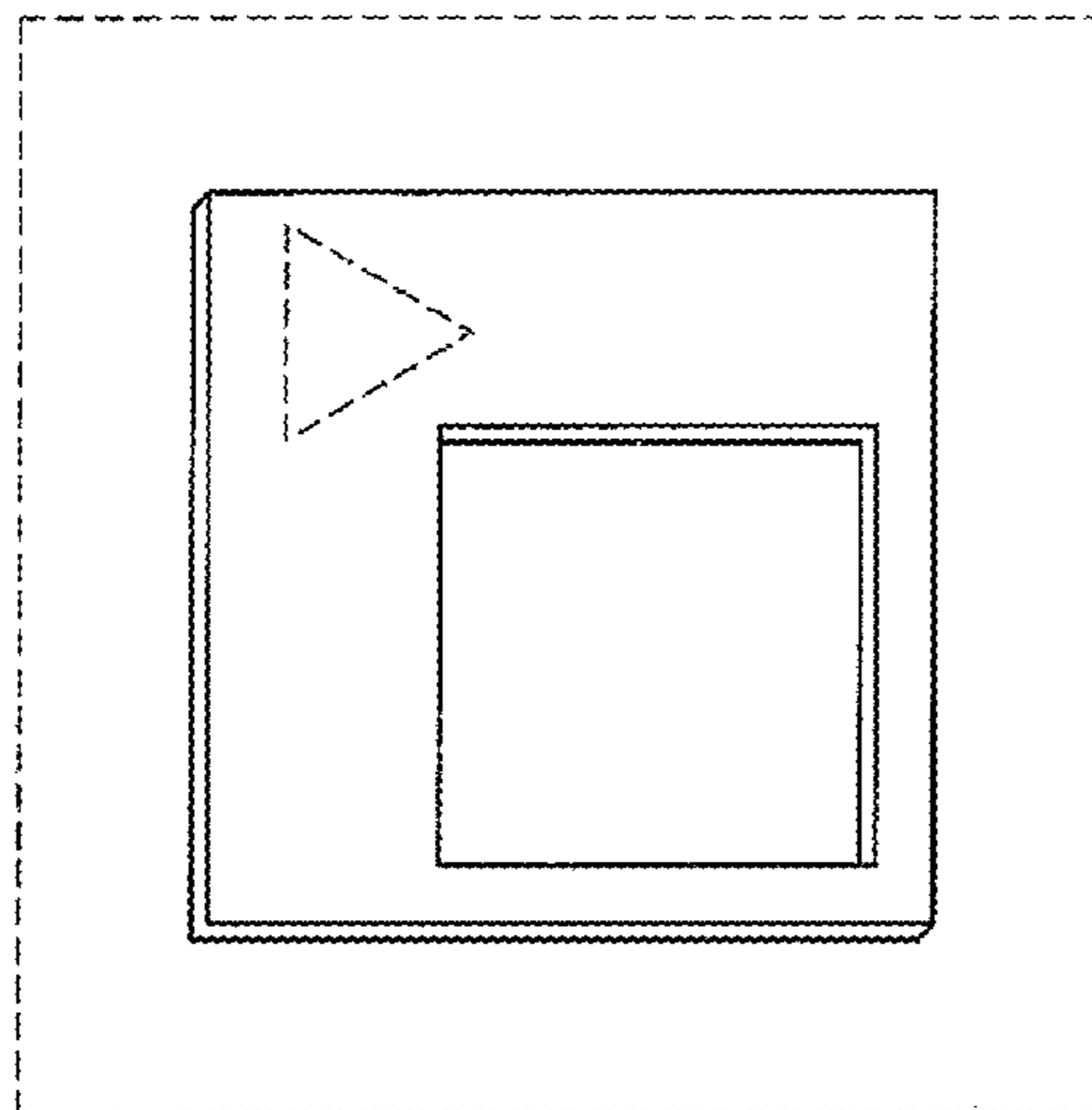
FIG. 1 is a front view of a computer screen with icon.
FIG. 2 is a perspective view of the computer screen with icon.
FIG. 3 is a second perspective view of the computer screen with icon; and,
FIG. 4 is another embodiment of the computer screen with icon.
The broken line illustration of the computer screen and portions of the icon form no part of the claimed design.

1 Claim, 2 Drawing Sheets

(56) **References Cited**

U.S. PATENT DOCUMENTS

7,119,818	B2	*	10/2006	Takiguchi	715/764
D535,659	S	*	1/2007	Hally et al.	D14/485
D544,871	S	*	6/2007	Lim et al.	D14/485
D549,726	S	*	8/2007	Van Dongen et al.	D14/491
D555,662	S	*	11/2007	Nagata et al.	D14/487
D580,942	S	*	11/2008	Oshiro et al.	D14/485
7,467,351	B1	*	12/2008	Spells et al.	715/243
D593,108	S	*	5/2009	Danton	D14/485
D593,110	S	*	5/2009	Danton	D14/485
D593,111	S	*	5/2009	Danton	D14/485



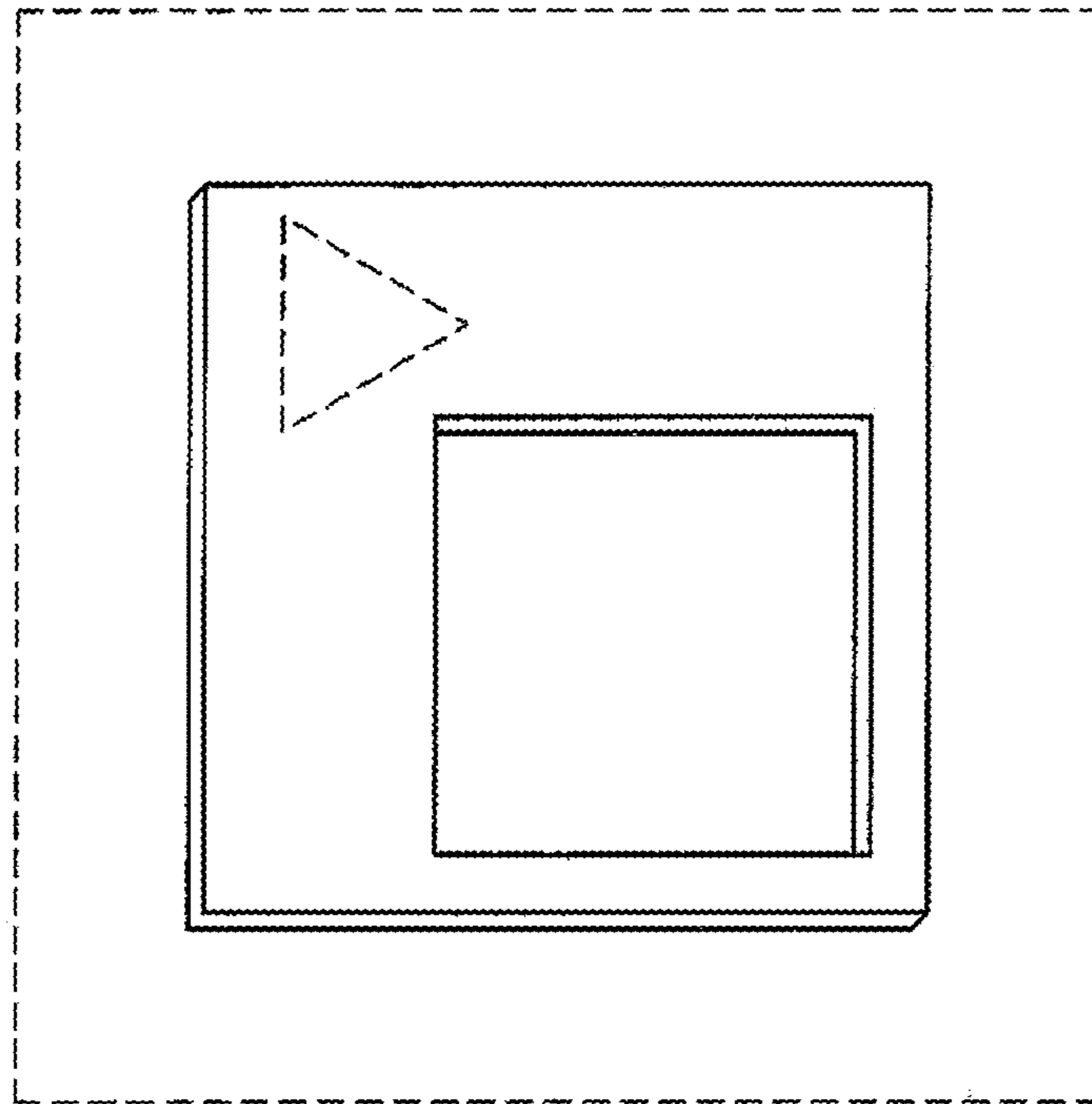


FIG. 1

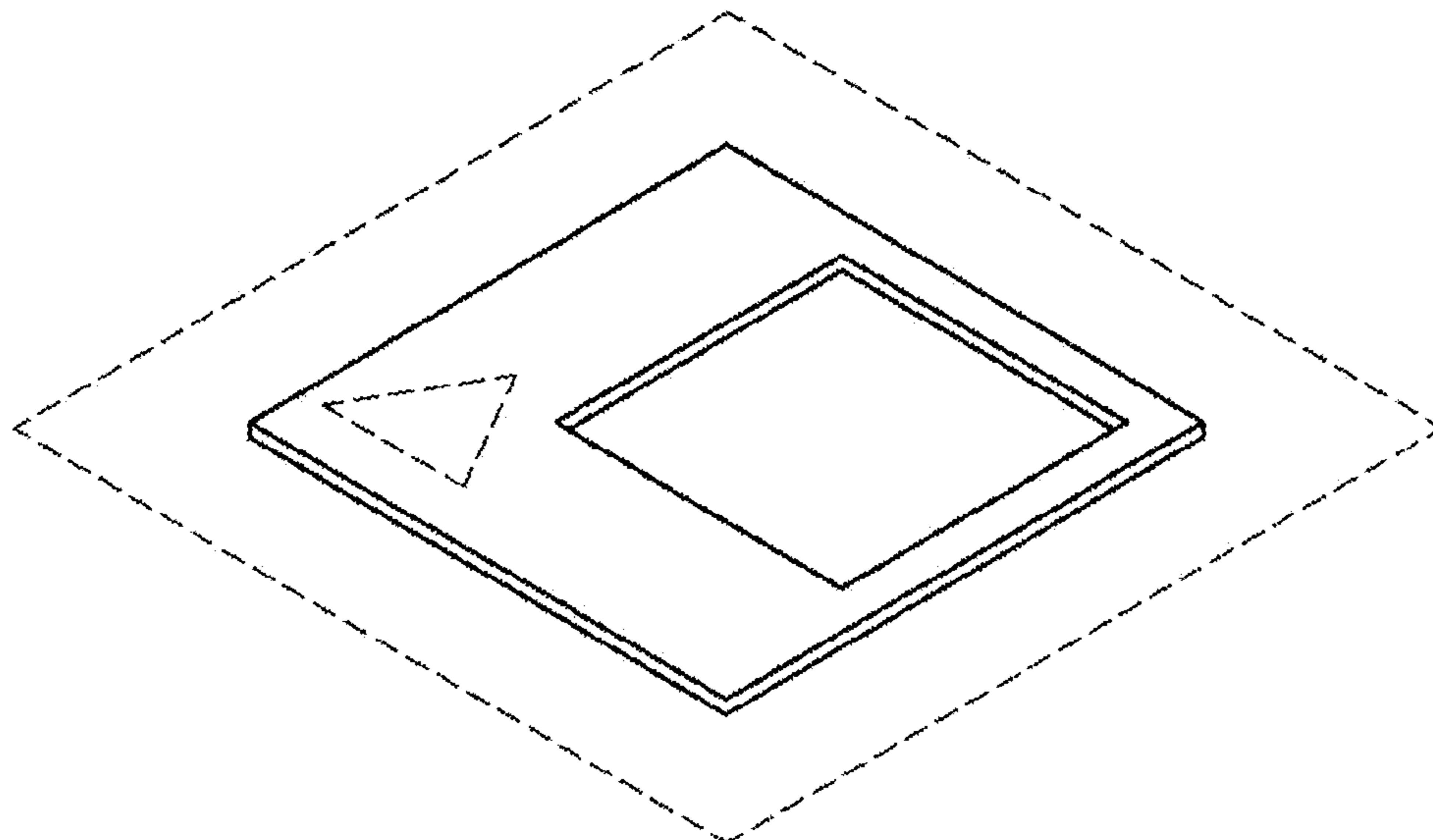


FIG. 2

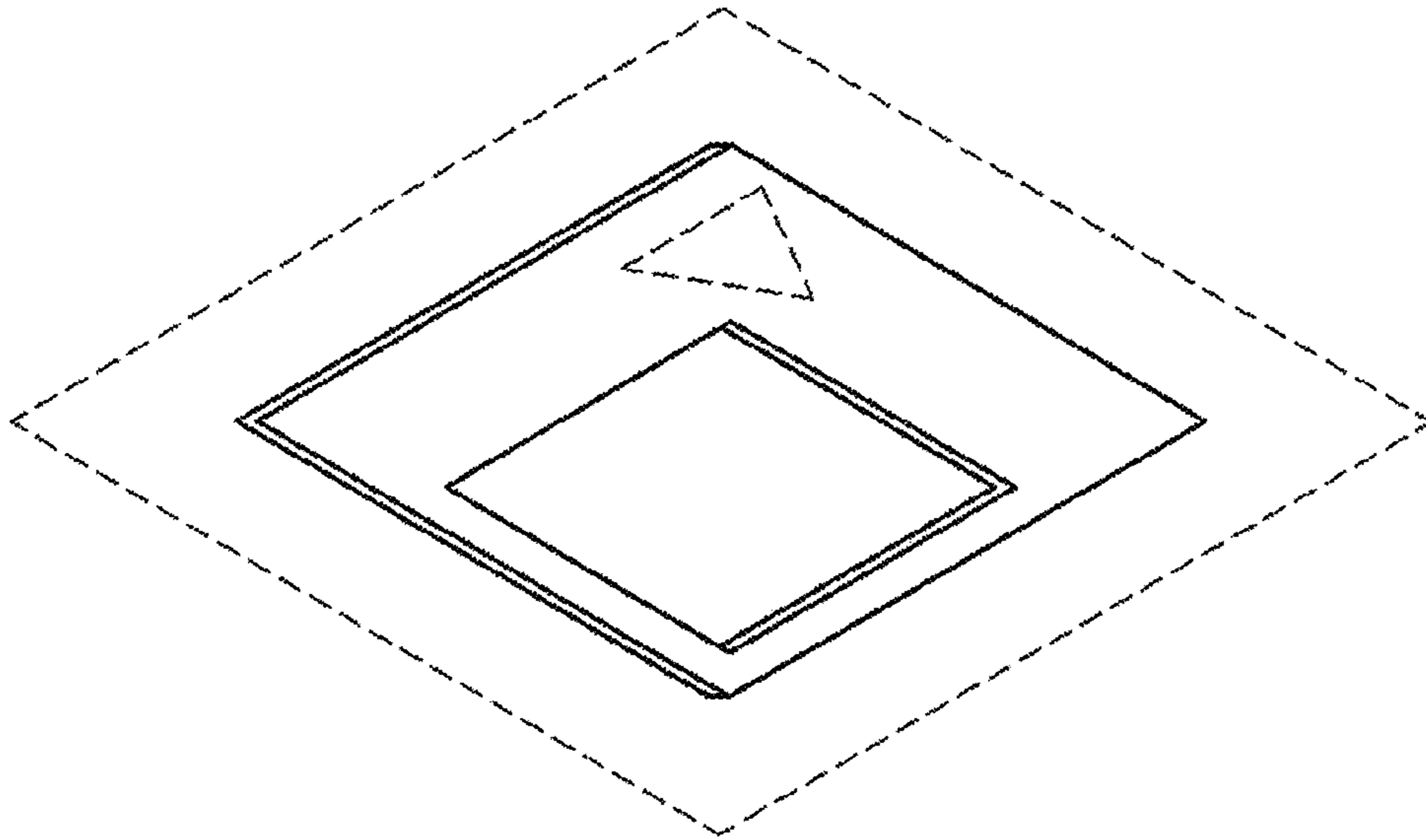


FIG. 3

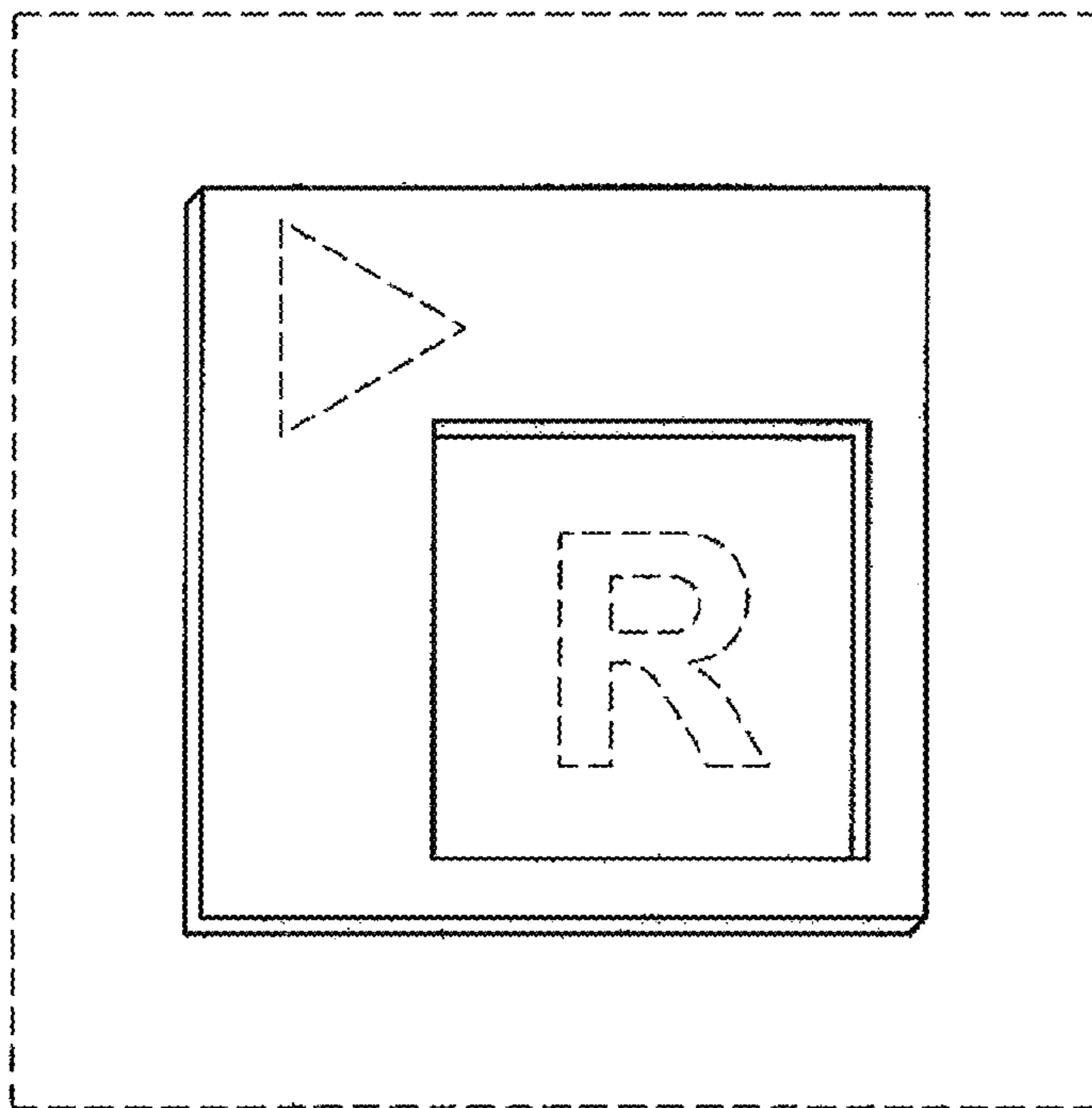


FIG. 4