



US00D719171S

(12) **United States Design Patent**
Erickson et al.

(10) **Patent No.:** **US D719,171 S**
(45) **Date of Patent:** **** Dec. 9, 2014**

- (54) **USB MEMORY DRIVE**
- (71) Applicant: **GW Crystal, Inc.**, Rancho Cucamonga, CA (US)
- (72) Inventors: **Scott Erickson**, Rancho Cucamonga, CA (US); **Peter Gao**, Rancho Cucamonga, CA (US)
- (73) Assignee: **GW Crystal, Inc.**, Rancho Cucamonga, CA (US)
- (**) Term: **14 Years**
- (21) Appl. No.: **29/482,310**
- (22) Filed: **Feb. 17, 2014**

7,796,379	B2 *	9/2010	Tsai	361/679.32
D638,001	S *	5/2011	Nakhjiri et al.	D14/242
D643,847	S *	8/2011	Boucard	D14/480.7
D675,217	S *	1/2013	Lee	D14/480.6
D685,808	S *	7/2013	Billington	D14/480.6
D702,697	S *	4/2014	Gao et al.	D14/480.1
D708,188	S *	7/2014	Erickson et al.	D14/480.1
2006/0231618	A1 *	10/2006	Chen	235/441
2010/0264047	A1 *	10/2010	Kelley et al.	206/232

OTHER PUBLICATIONS

GW Crystal | Flash Drives, [online], [retrieved on Jan. 6, 2014]. Retrieved from the Internet <URL: http://www.gwcrystal.com/index.php?section=product&category_id=51>.*

GW Crystal | Circular Flash Drives, [online], [retrieved on Jan. 6, 2014]. Retrieved from the Internet <URL: http://www.gwcrystal.com/index.php?section=product&subsection=product_details&product_id=221&category_id=51>.*

* cited by examiner

Primary Examiner — Karen E Kearney
(74) *Attorney, Agent, or Firm* — Brian Billett

Related U.S. Application Data

- (62) Division of application No. 29/455,247, filed on May 17, 2013, now Pat. No. Des. 708,188.
- (51) **LOC (10) Cl.** **14-02**
- (52) **U.S. Cl.**
USPC **D14/480.1**
- (58) **Field of Classification Search**
CPC H05K 5/0278; G06K 19/07732
USPC D14/411, 433, 435.1, 436, 480.1–480.7, D14/484.1, 137, 155, 203.1–203.8, 240, D14/242; D13/133, 154
See application file for complete search history.

(57) **CLAIM**

We claim the ornamental design for a USB memory drive, as shown and described.

DESCRIPTION

FIG. 1 is a perspective view of a USB memory drive in accordance with the present design;
FIG. 2 is a top view thereof;
FIG. 3 is a bottom view thereof;
FIG. 4 is a front view thereof;
FIG. 5 is a back view thereof;
FIG. 6 is a right side view thereof; and,
FIG. 7 is a left side view thereof.

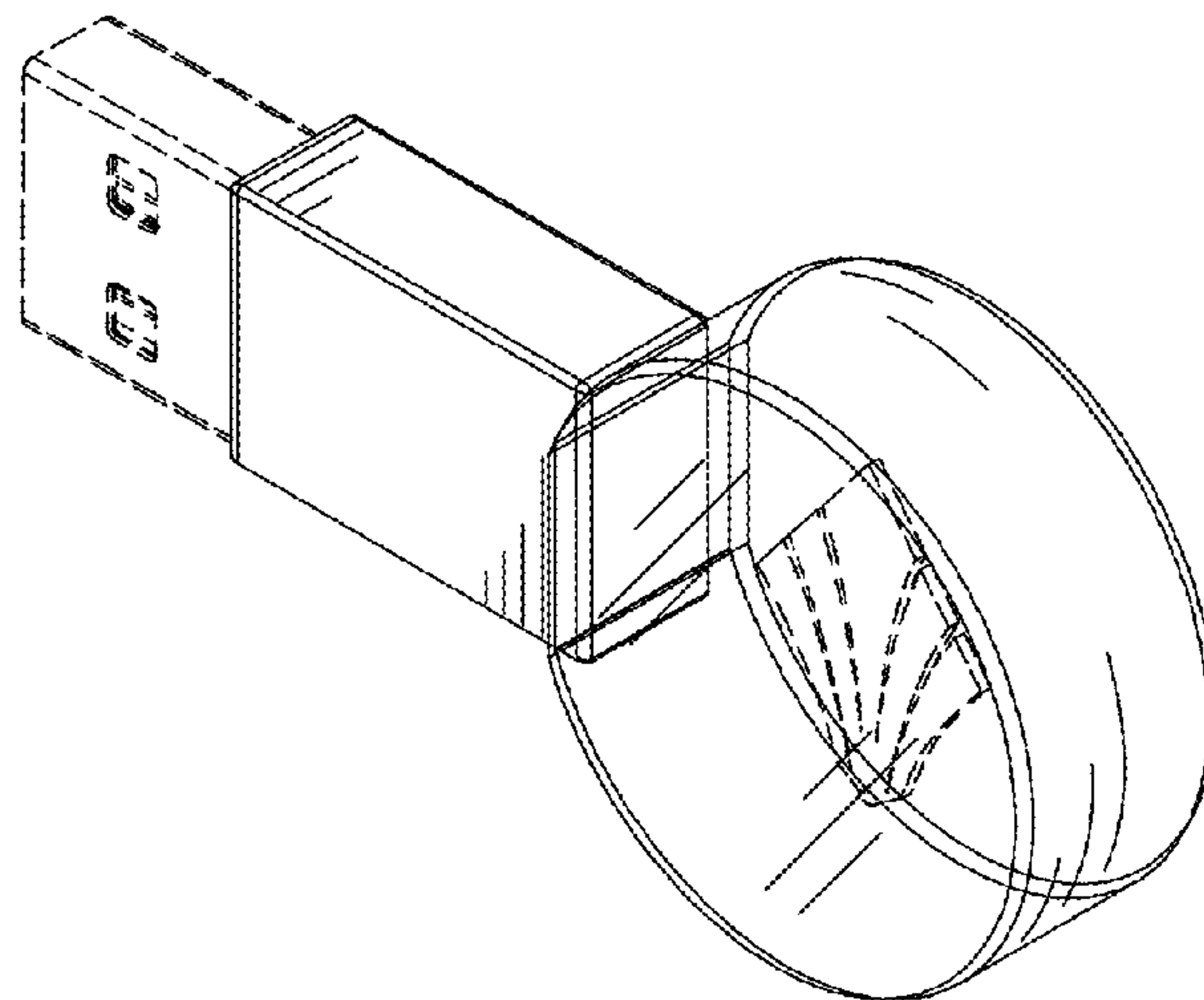
The broken line showings of the USB connector and the subsurface engraving are included for the purpose of illustrating portions of the USB memory drive and form no part of the claimed design.

1 Claim, 3 Drawing Sheets

(56) **References Cited**

U.S. PATENT DOCUMENTS

D445,708	S *	7/2001	Huang et al.	D14/435.1
D482,694	S *	11/2003	Chen	D14/435.1
D523,015	S *	6/2006	Loftus	D14/480.1
D534,448	S *	1/2007	Shaffer et al.	D10/104.1
D548,233	S *	8/2007	Loftus	D14/480.5
D553,131	S *	10/2007	Dal Porto et al.	D14/480.2
7,551,450	B2 *	6/2009	Sugawara et al.	361/752
D607,914	S *	1/2010	Kaplan et al.	D16/219



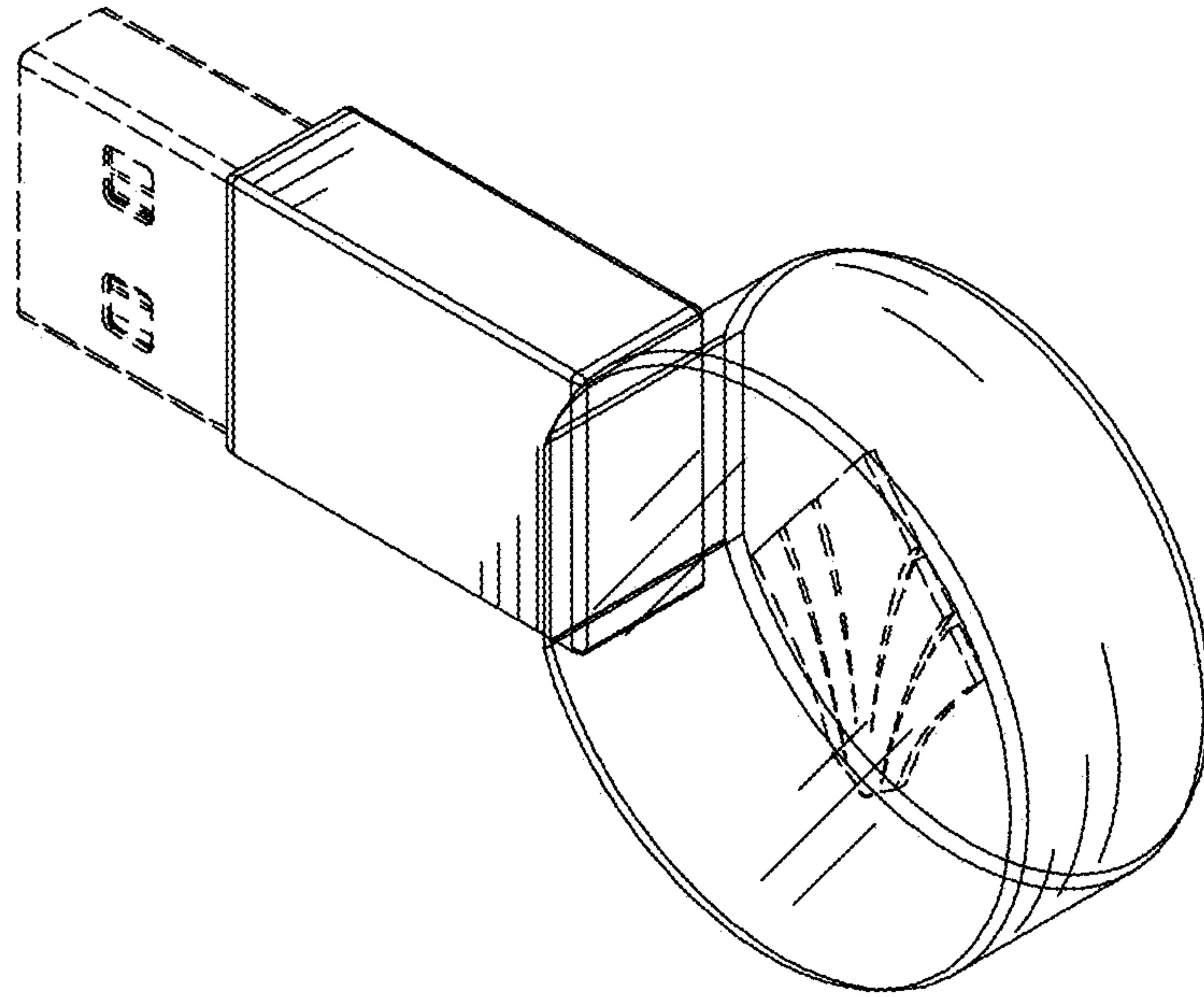


Fig. 1

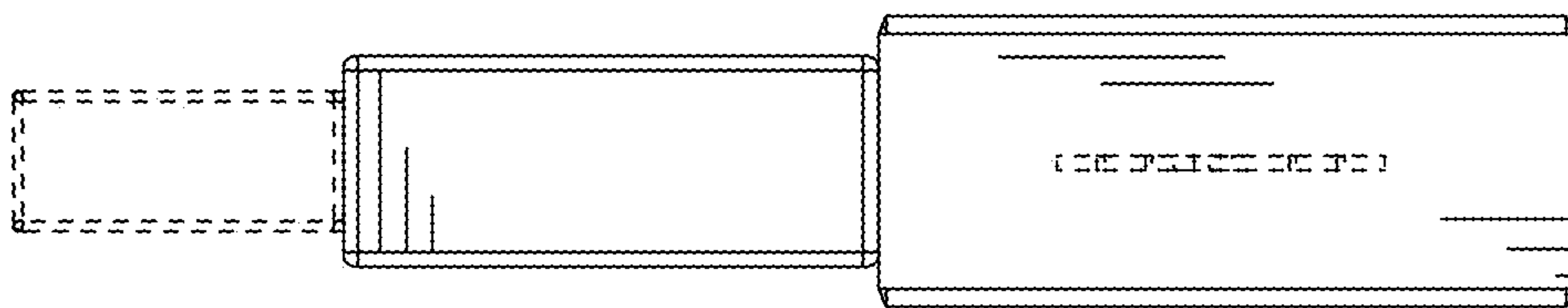


Fig. 2

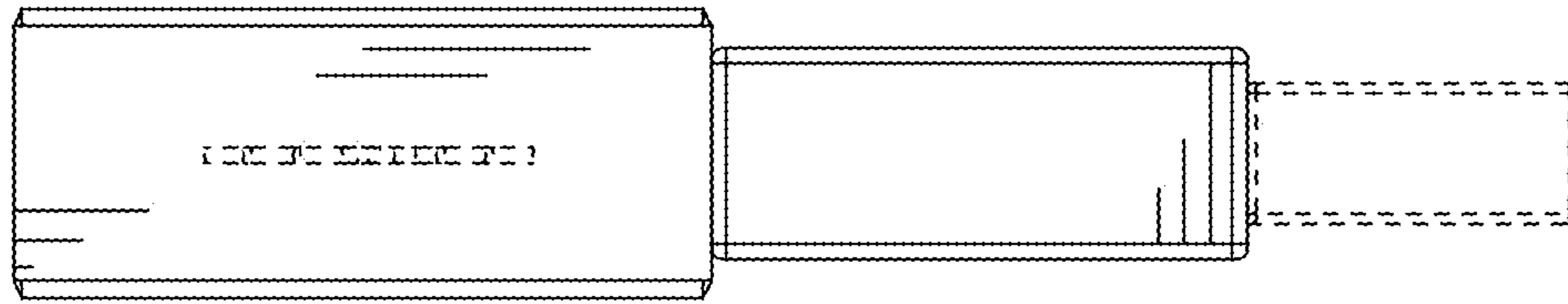


Fig. 3

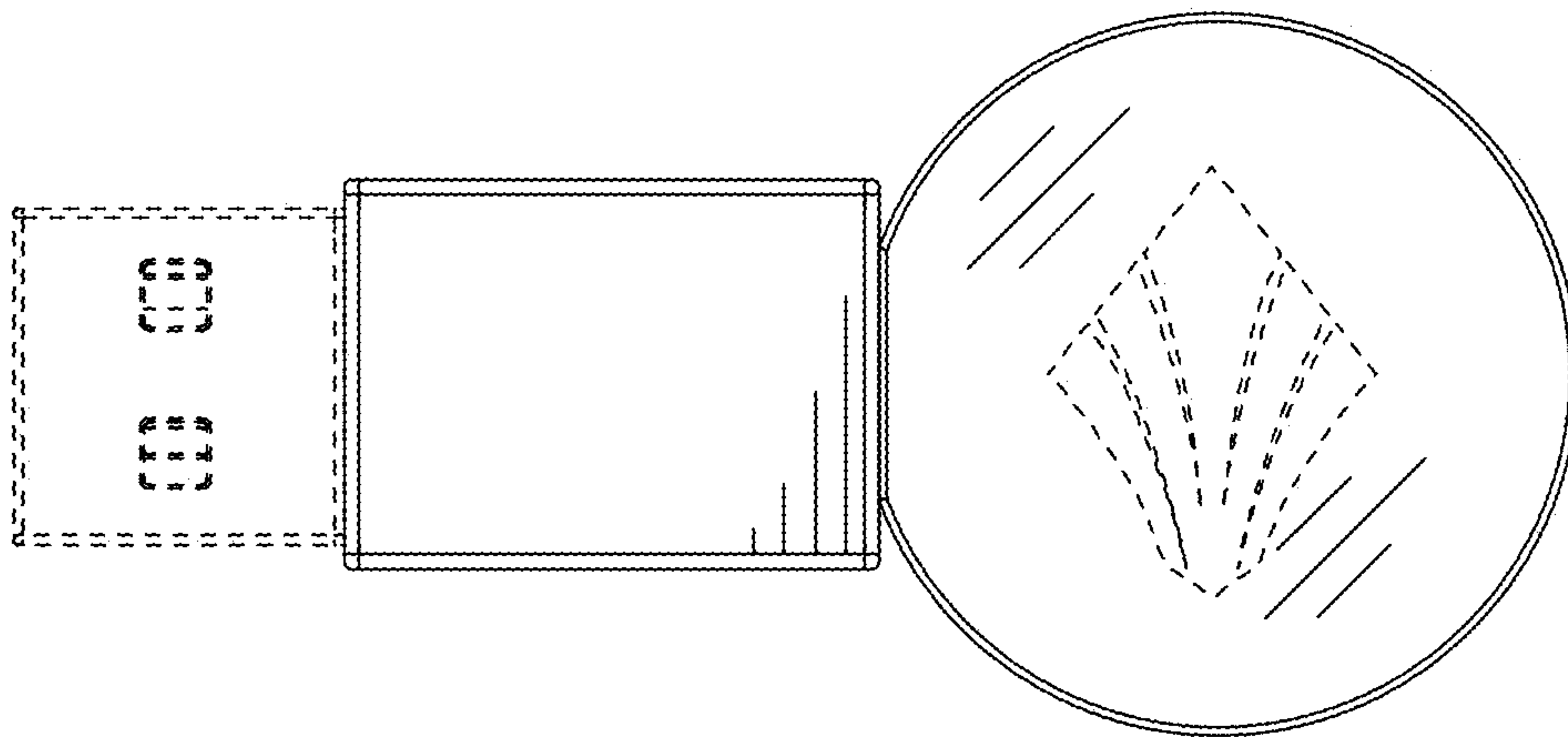


Fig. 4

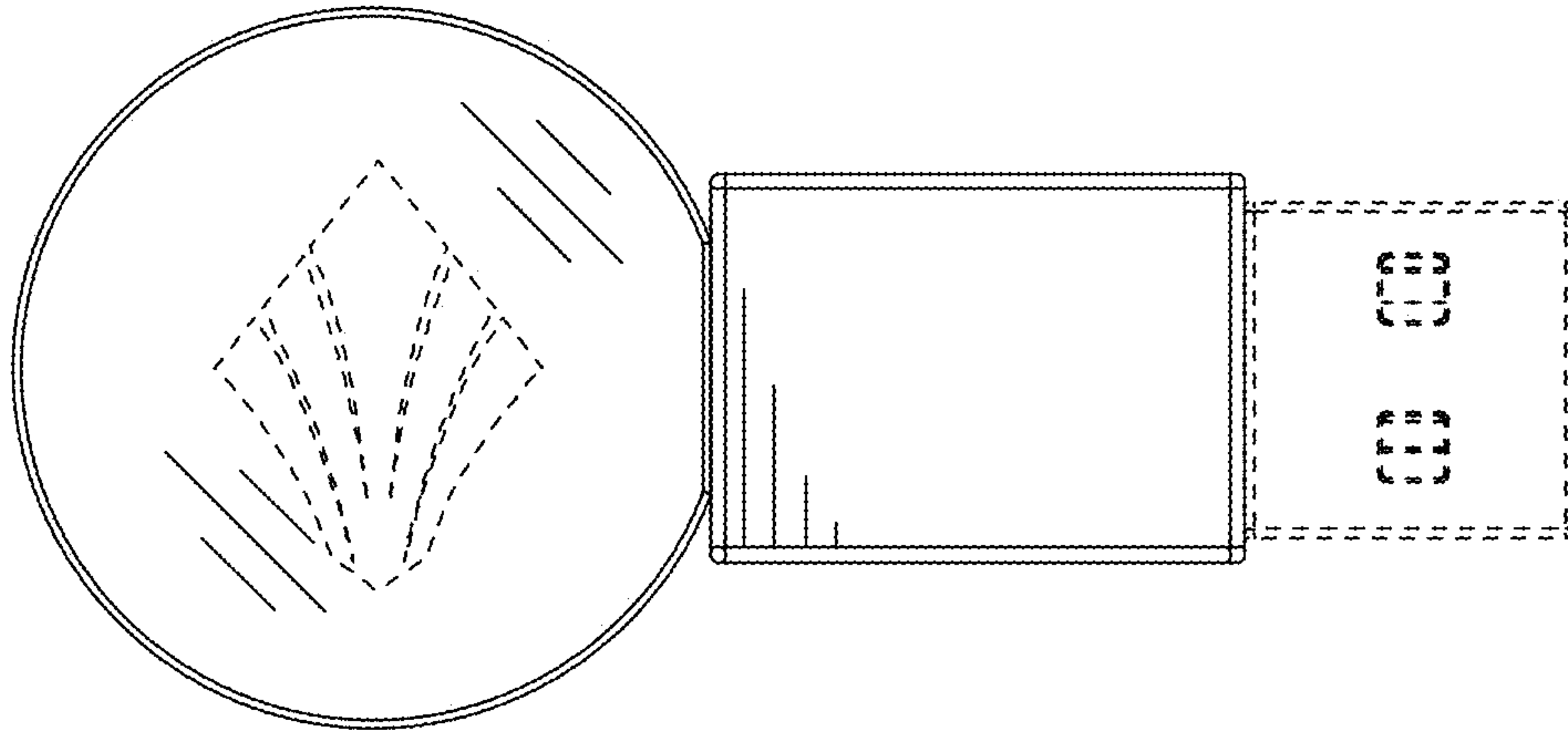


Fig. 5

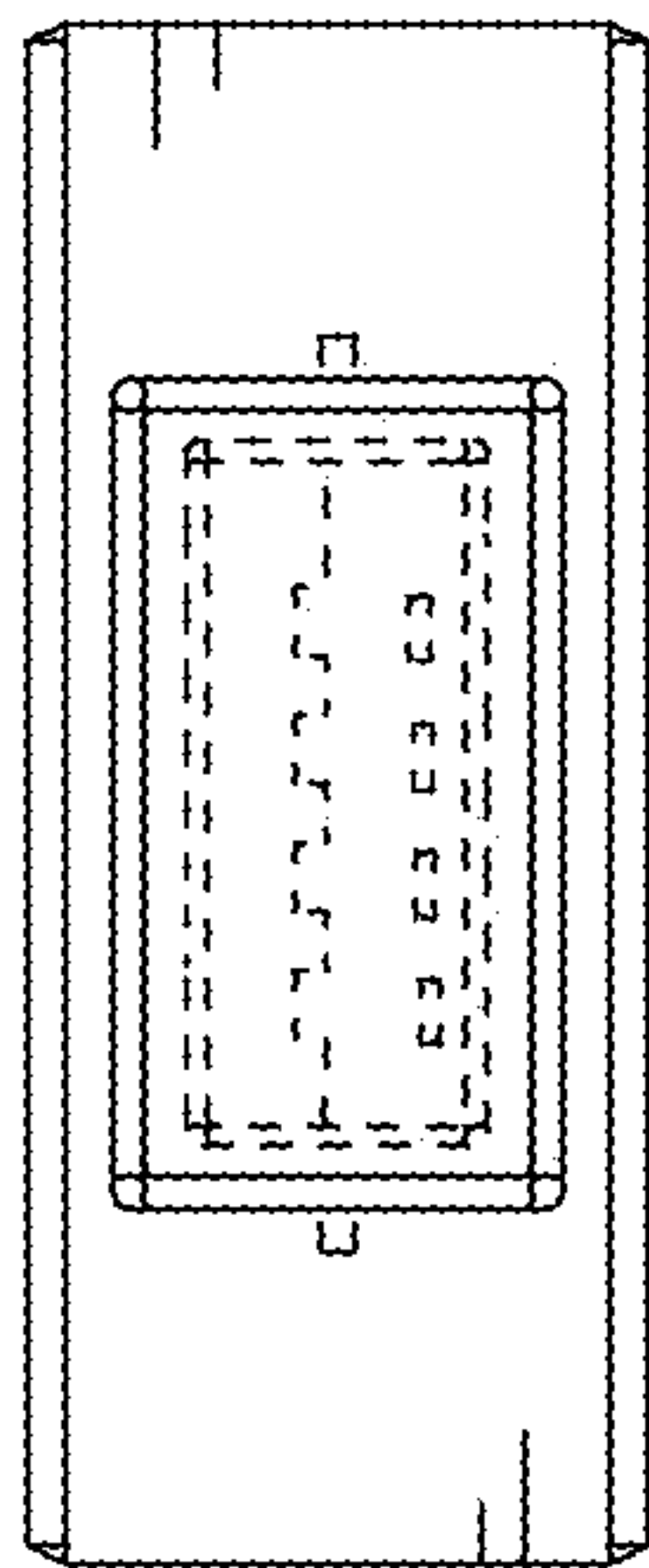


Fig. 6

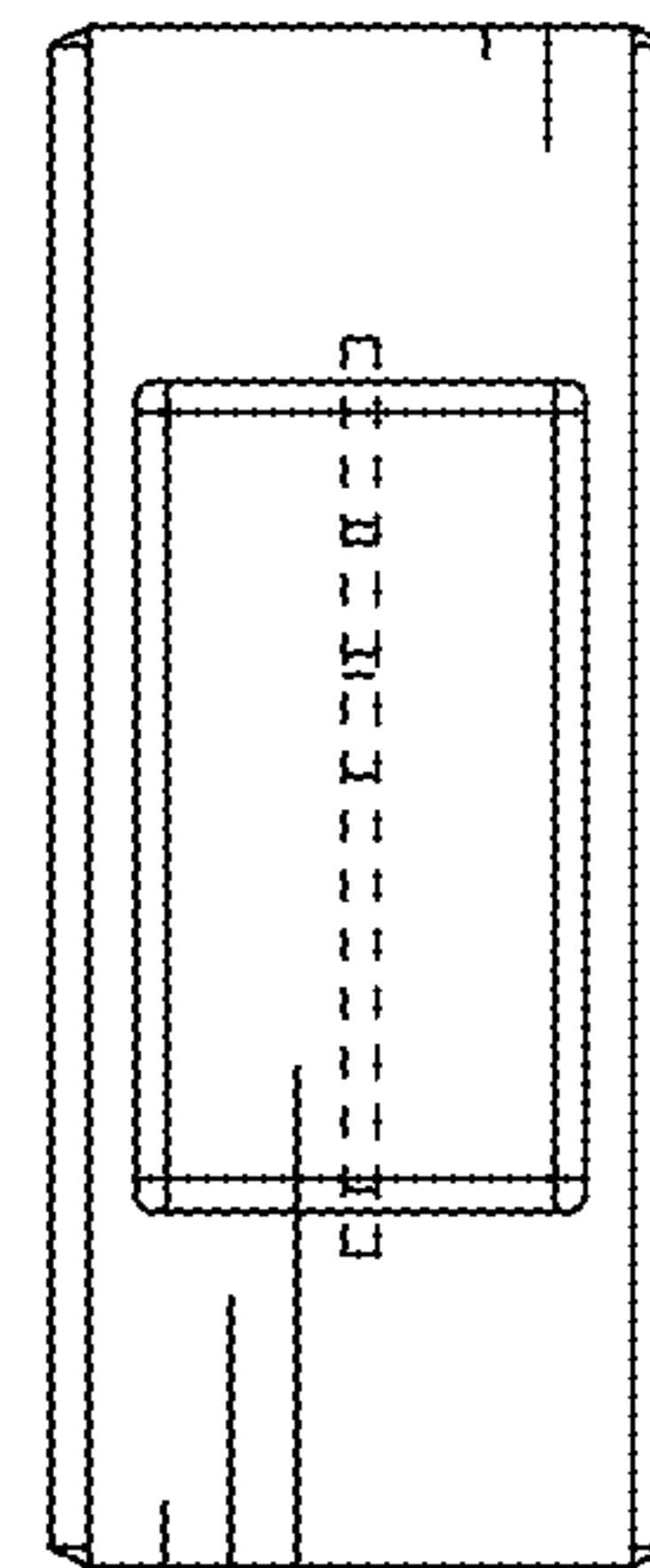


Fig. 7