



US00D719170S

(12) **United States Design Patent**  
**Gao et al.**

(10) **Patent No.:** **US D719,170 S**  
(45) **Date of Patent:** **\*\* Dec. 9, 2014**

- (54) **USB MEMORY DRIVE**
- (71) Applicant: **GW Crystal Inc.**, Rancho Cucamonga, CA (US)
- (72) Inventors: **Peter Gao**, Rancho Cucamonga, CA (US); **Scott Erickson**, Rancho Cucamonga, CA (US)
- (73) Assignee: **GW Crystal, Inc.**, Rancho Cucamonga, CA (US)
- (\*\*) Term: **14 Years**
- (21) Appl. No.: **29/482,304**
- (22) Filed: **Feb. 17, 2014**

7,796,379	B2 *	9/2010	Tsai	.....	361/679.32
D629,805	S *	12/2010	Nysen et al.	.....	D14/433
D687,837	S *	8/2013	Andre	.....	D14/480.2
8,611,079	B2 *	12/2013	Zhang et al.	.....	361/679.31
D702,697	S *	4/2014	Gao et al.	.....	D14/480.1
D708,188	S *	7/2014	Erickson et al.	.....	D14/480.1
2006/0231618	A1 *	10/2006	Chen	.....	235/441

**OTHER PUBLICATIONS**

GW Crystal | Flash Drives, [online], [retrieved on Jan. 6, 2014]. Retrieved from the Internet <URL: [http://www.gwcrystal.com/index.php?section=product&category\\_id=51](http://www.gwcrystal.com/index.php?section=product&category_id=51)>.\*

GW Crystal | Sphere Flash Drives, [online], [retrieved on Oct. 16, 2014]. Retrieved from the Internet <URL: [http://www.gwcrystal.com/index.php?section=product&subsection=product\\_details&product\\_id=224&category\\_id=51](http://www.gwcrystal.com/index.php?section=product&subsection=product_details&product_id=224&category_id=51)>.\*

(Continued)

**Related U.S. Application Data**

- (62) Division of application No. 29/455,251, filed on May 17, 2013, now Pat. No. Des. 702,697.
- (51) **LOC (10) Cl.** ..... **14-02**
- (52) **U.S. Cl.**  
USPC ..... **D14/480.1**
- (58) **Field of Classification Search**  
CPC ..... H04K 5/0278; G06K 19/07732  
USPC ..... D14/411, 433, 435.1, 436, 480.1-480.7, D14/484.1, 137, 155, 203.1-203.8, 240, D14/242; D13/133, 154  
See application file for complete search history.

*Primary Examiner* — Karen E Kearney  
(74) *Attorney, Agent, or Firm* — Brian Billett

(57) **CLAIM**

We claim the ornamental design for a USB memory drive, as shown and described.

**DESCRIPTION**

FIG. 1 is a perspective view of a USB memory drive in accordance with the present design;  
FIG. 2 is a top view thereof;  
FIG. 3 is a bottom view thereof;  
FIG. 4 is a front view thereof;  
FIG. 5 is a back view thereof;  
FIG. 6 is a right side view thereof; and,  
FIG. 7 is a left side view thereof.

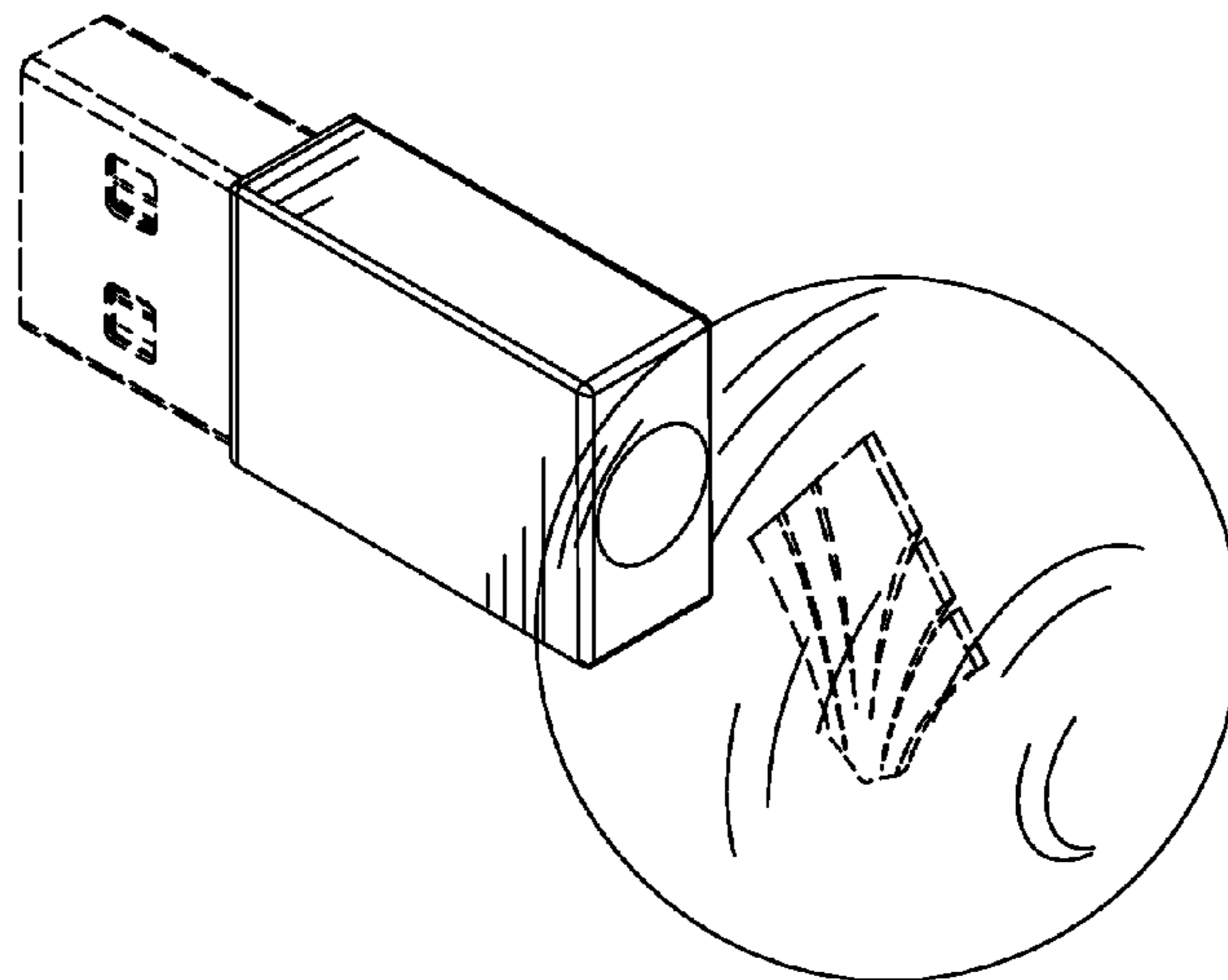
The broken line showings of the USB connector and the subsurface engraving are included for the purpose of illustrating portions of the USB memory drive and form no part of the claimed design.

**1 Claim, 3 Drawing Sheets**

(56) **References Cited**

**U.S. PATENT DOCUMENTS**

D536,700	S *	2/2007	Landau	.....	D14/480.5
D539,285	S *	3/2007	Landau	.....	D14/480.2
7,443,691	B1 *	10/2008	Davis	.....	361/752
D592,217	S *	5/2009	Chen	.....	D14/480.2
7,551,450	B2 *	6/2009	Sugawara et al.	.....	361/752
D607,914	S *	1/2010	Kaplan et al.	.....	D16/219



(56)

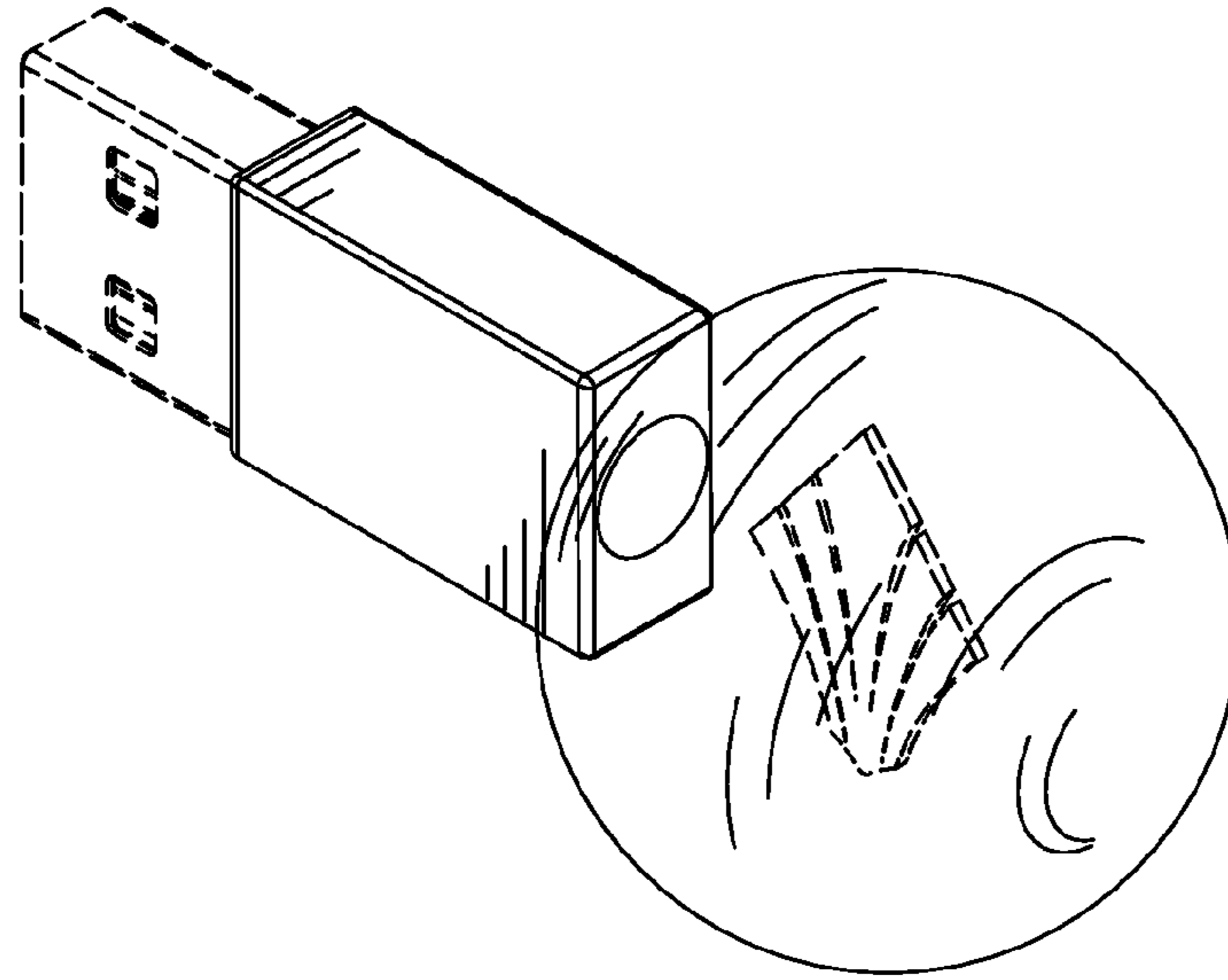
**References Cited**

OTHER PUBLICATIONS

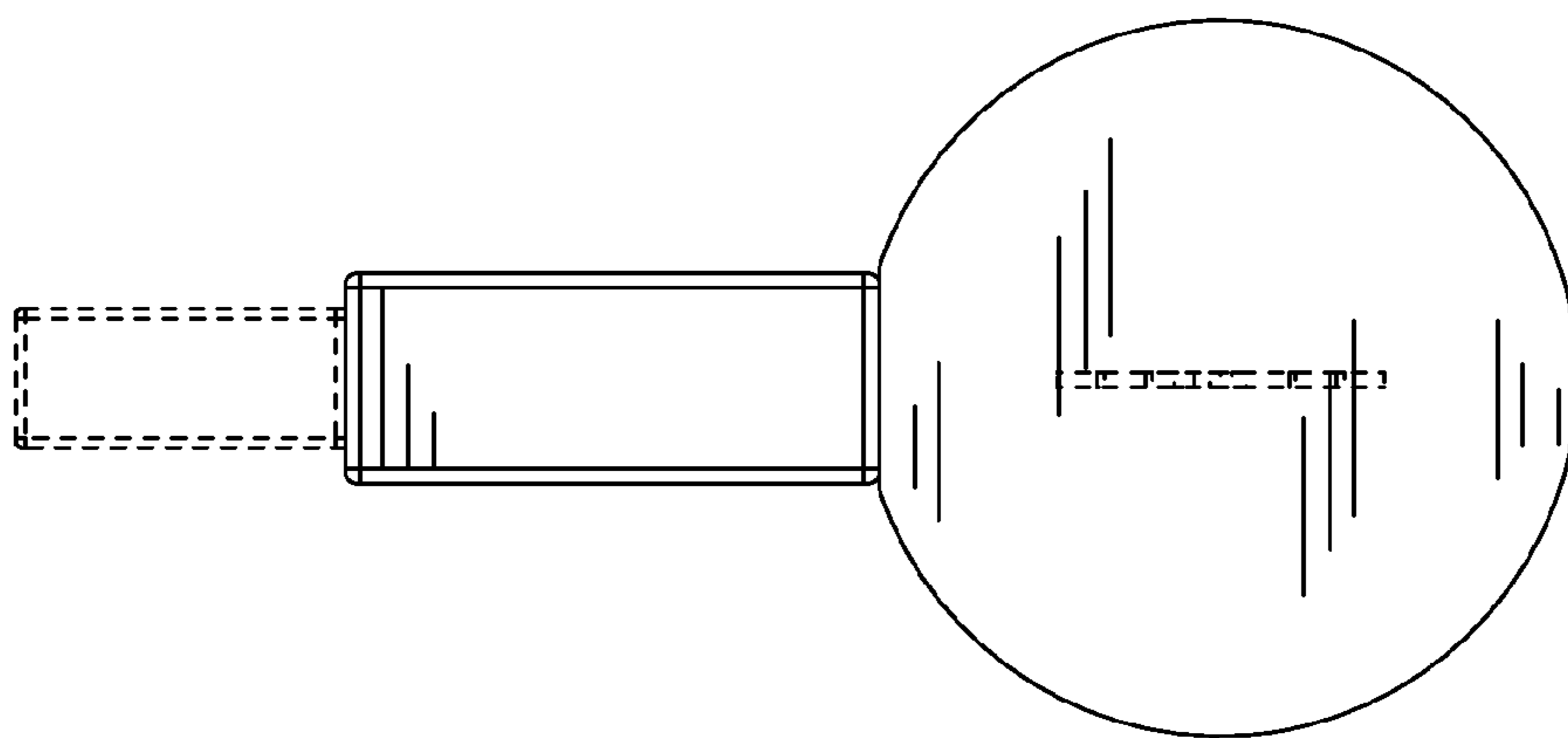
LaCie Fuel, Sphere, and Little Big Disk Thunderbolt 2 Announced at CES 2014, p. 5 [online] Jan. 6, 2014 [retrieved on Apr. 3, 2014]. Retrieved from the Internet <URL: [http://www.storagereview.com/lacie\\_fuel\\_sphere\\_and\\_little\\_big\\_disk\\_thunderbolt\\_2\\_announced\\_at\\_ces\\_2014](http://www.storagereview.com/lacie_fuel_sphere_and_little_big_disk_thunderbolt_2_announced_at_ces_2014)>.\*

Light Bulb | Product Design Today, [online] Feb. 20, 2012 [retrieved on Apr. 24, 2014]. Retrieved from the Internet <URL: <http://productdesigntoday.com/unique-and-creative-usb-design-objects-shapes/light-bulb/>>.\*

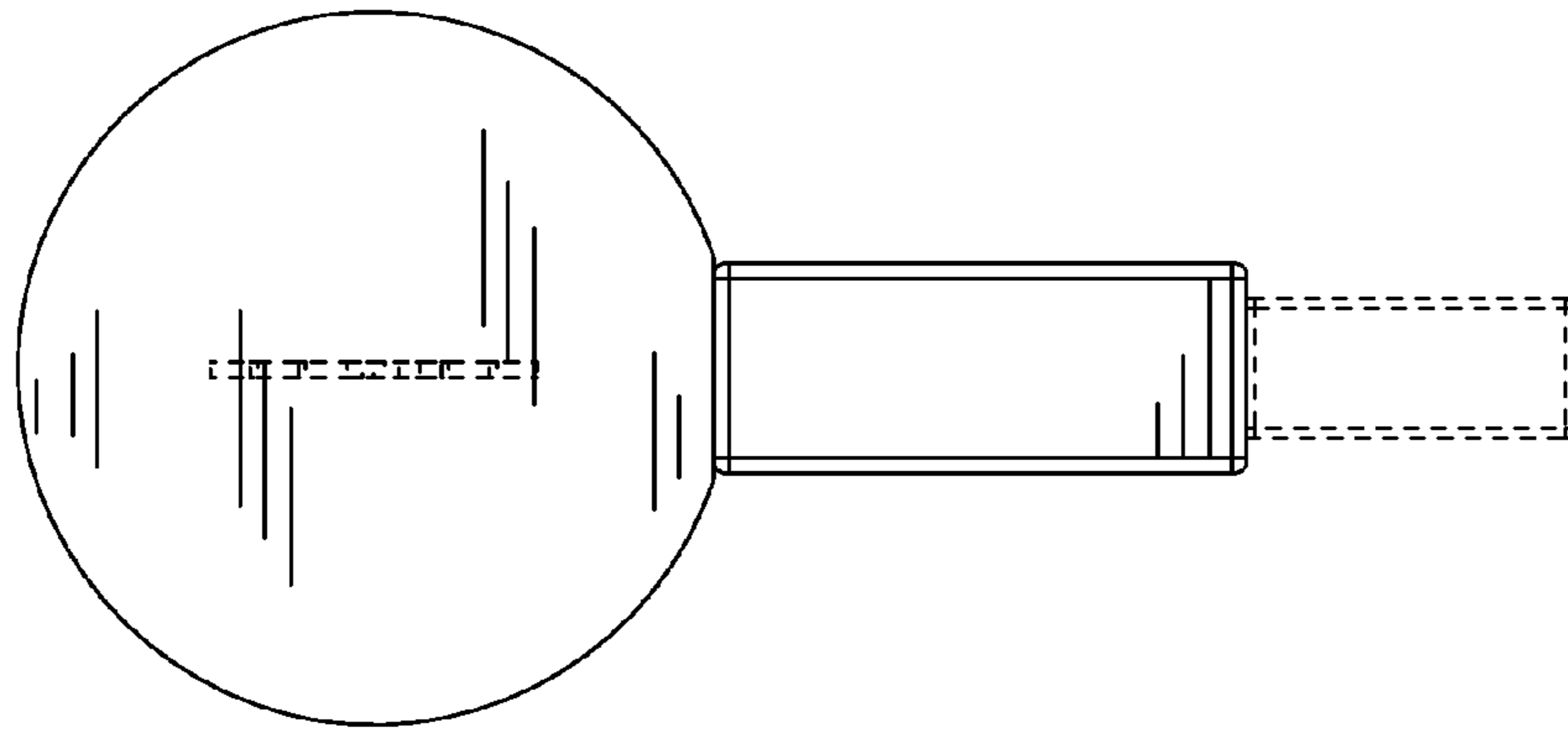
\* cited by examiner



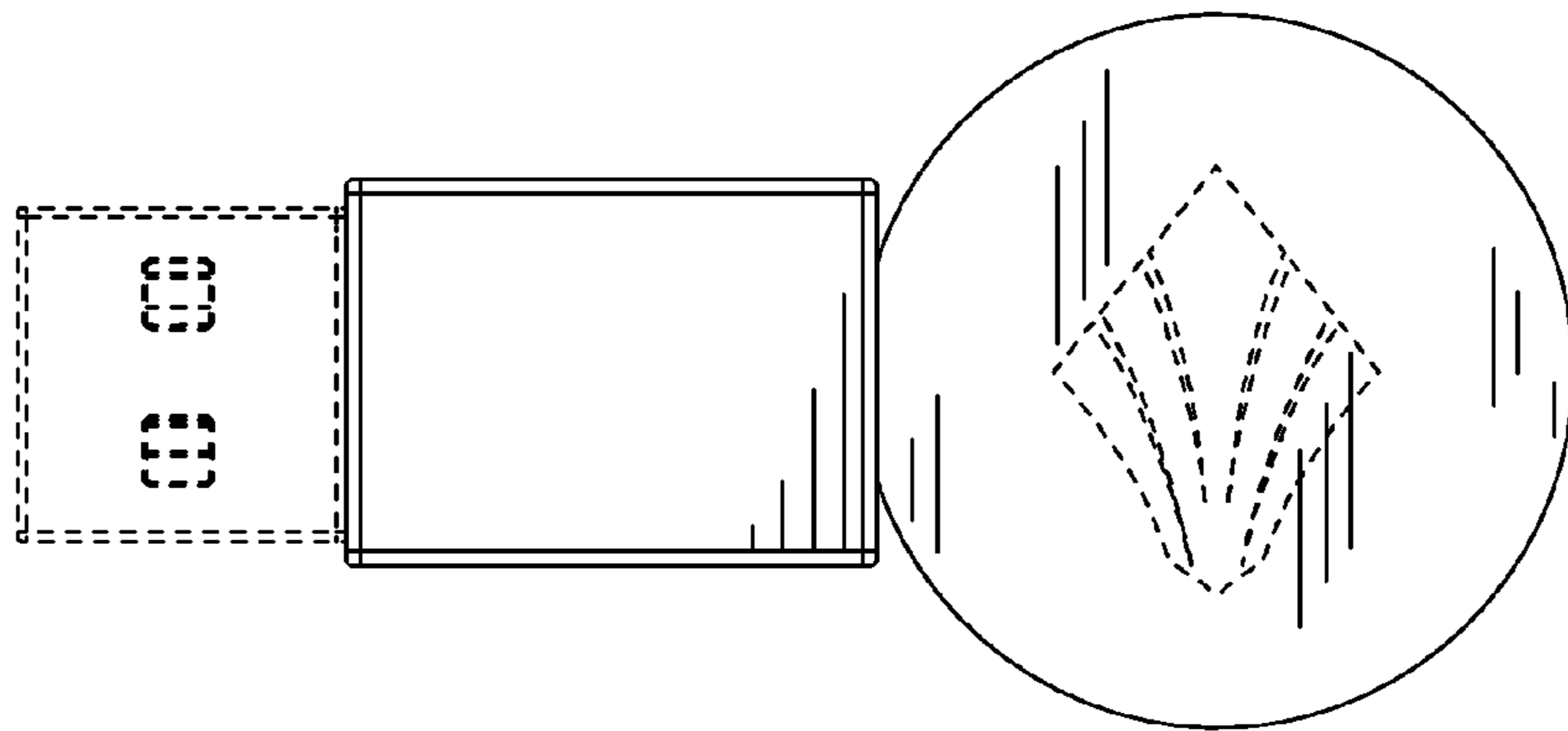
**Fig. 1**



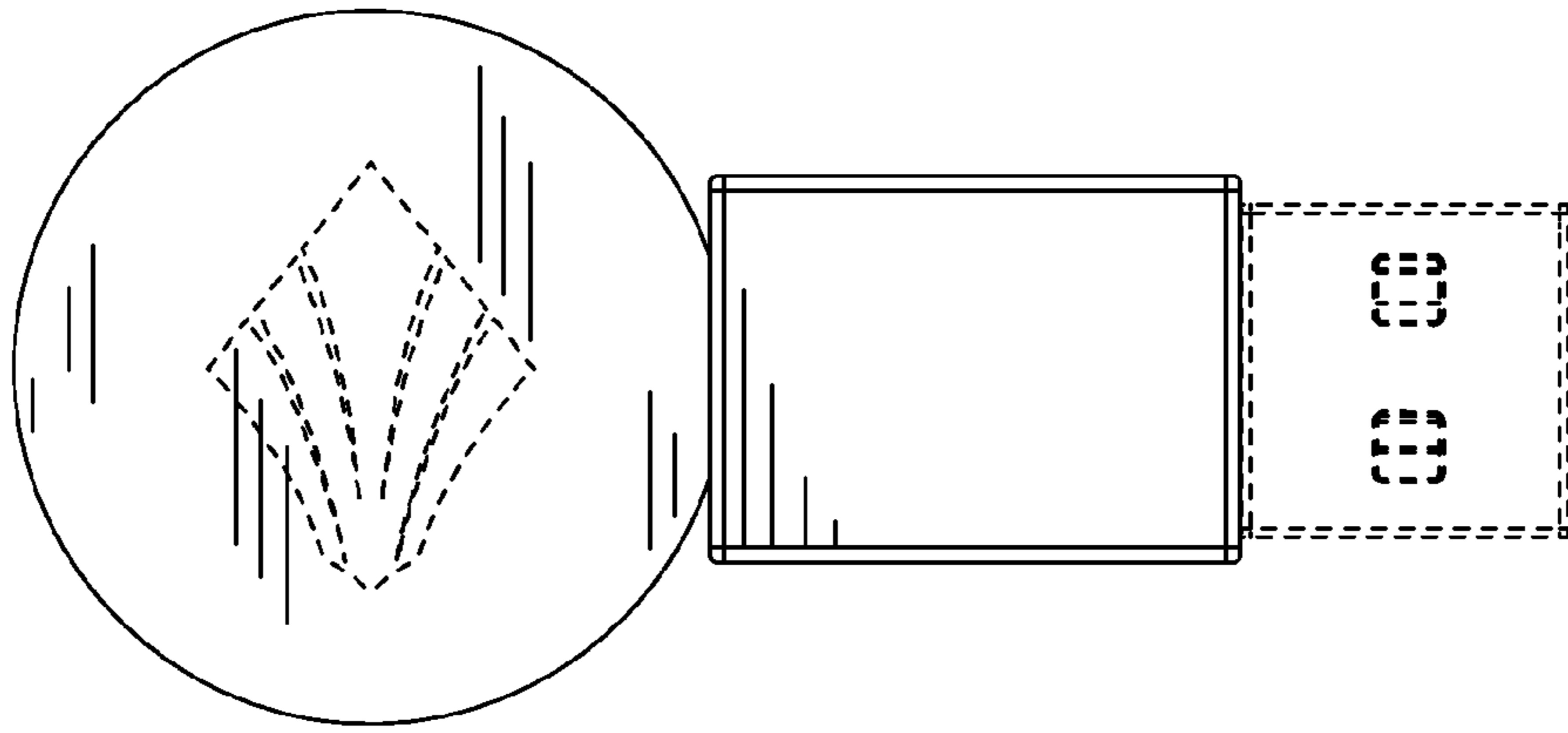
**Fig. 2**



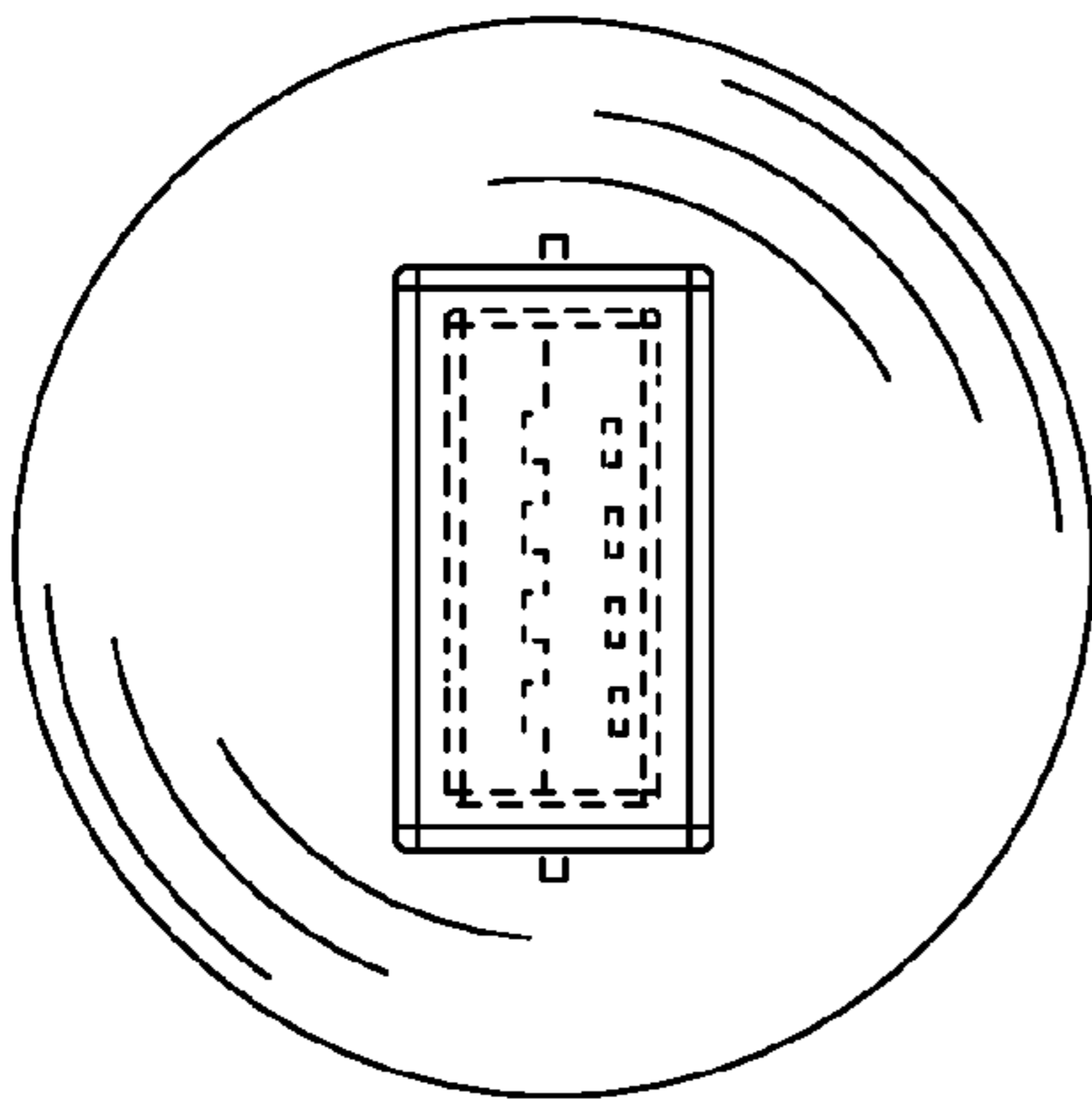
**Fig. 3**



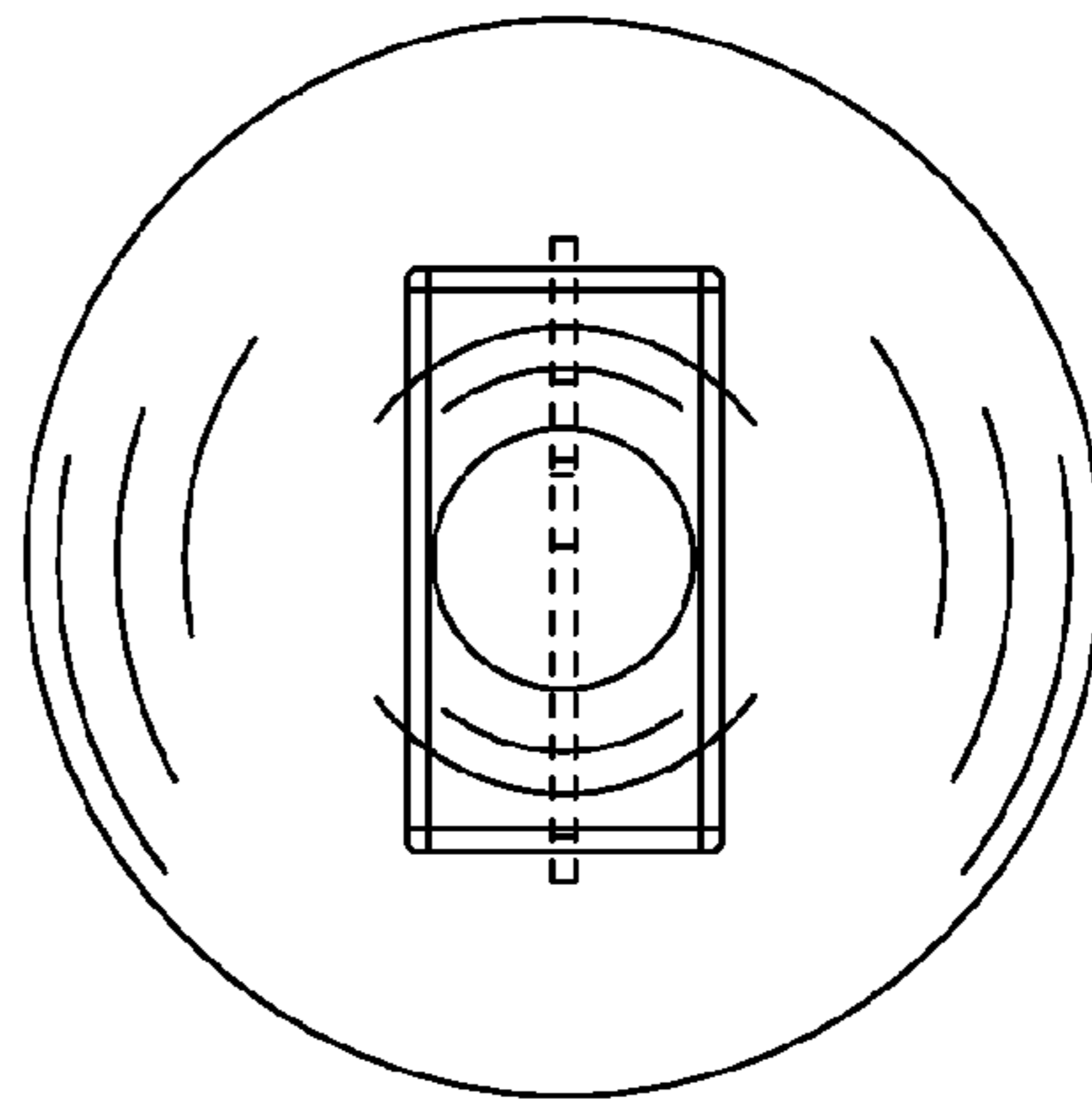
**Fig. 4**



**Fig. 5**



**Fig. 6**



**Fig. 7**