



US00D719169S

(12) **United States Design Patent**  
**McBroom**

(10) **Patent No.:** **US D719,169 S**

(45) **Date of Patent:** **\*\* Dec. 9, 2014**

(54) **TABLET KEYBOARD COVER**

FOREIGN PATENT DOCUMENTS

(71) Applicant: **Brian Dale McBroom**, Frisco, TX (US)

EP 1875833 1/2008  
EP 2189873 5/2010

(72) Inventor: **Brian Dale McBroom**, Frisco, TX (US)

(Continued)

(\*\*) Term: **14 Years**

*Primary Examiner* — Cynthia Underwood

(21) Appl. No.: **29/462,191**

(22) Filed: **Jul. 31, 2013**

(51) **LOC (10) Cl.** ..... **14-02**

(52) **U.S. Cl.**  
USPC ..... **D14/440**

(58) **Field of Classification Search**

CPC ... G06F 1/1601; G06F 1/1626; G06F 1/1633;  
G06F 1/1675; G06F 1/1679; G02F 1/1306;  
G02F 1/133; G02F 1/133308; G02F 1/153;  
G02F 1/1533; G02F 2001/133317; H04M  
1/185; H04M 1/0252; H04B 1/3888  
USPC ..... D14/250, 251, 253, 240, 217, 496, 440,  
D14/203.3, 203.4, 203.5, 203.8, 341, 318;  
D3/218, 215, 201, 294, 289, 900;  
220/4.02; 248/309.1; 361/679.56;  
379/426, 433.11, 455; 455/575.1,  
455/575.8, 457.1; 190/100; 206/305, 320,  
206/45.2; D21/469; 312/240

See application file for complete search history.

(56) **References Cited**

U.S. PATENT DOCUMENTS

1,613,536 A \* 1/1927 Rose ..... 132/315  
4,213,520 A 7/1980 Sarna  
4,259,568 A \* 3/1981 Dynesen ..... 235/1 D  
5,100,098 A 3/1992 Hawkins  
5,375,076 A \* 12/1994 Goodrich et al. .... 361/679.17  
5,480,118 A \* 1/1996 Cross ..... 248/459  
5,607,054 A 3/1997 Hollingsworth  
5,887,723 A 3/1999 Myles  
6,005,767 A 12/1999 Ku  
D469,438 S \* 1/2003 Corrales ..... D14/432  
D473,562 S \* 4/2003 Russell ..... D14/447  
6,545,864 B2 4/2003 Davis

(Continued)

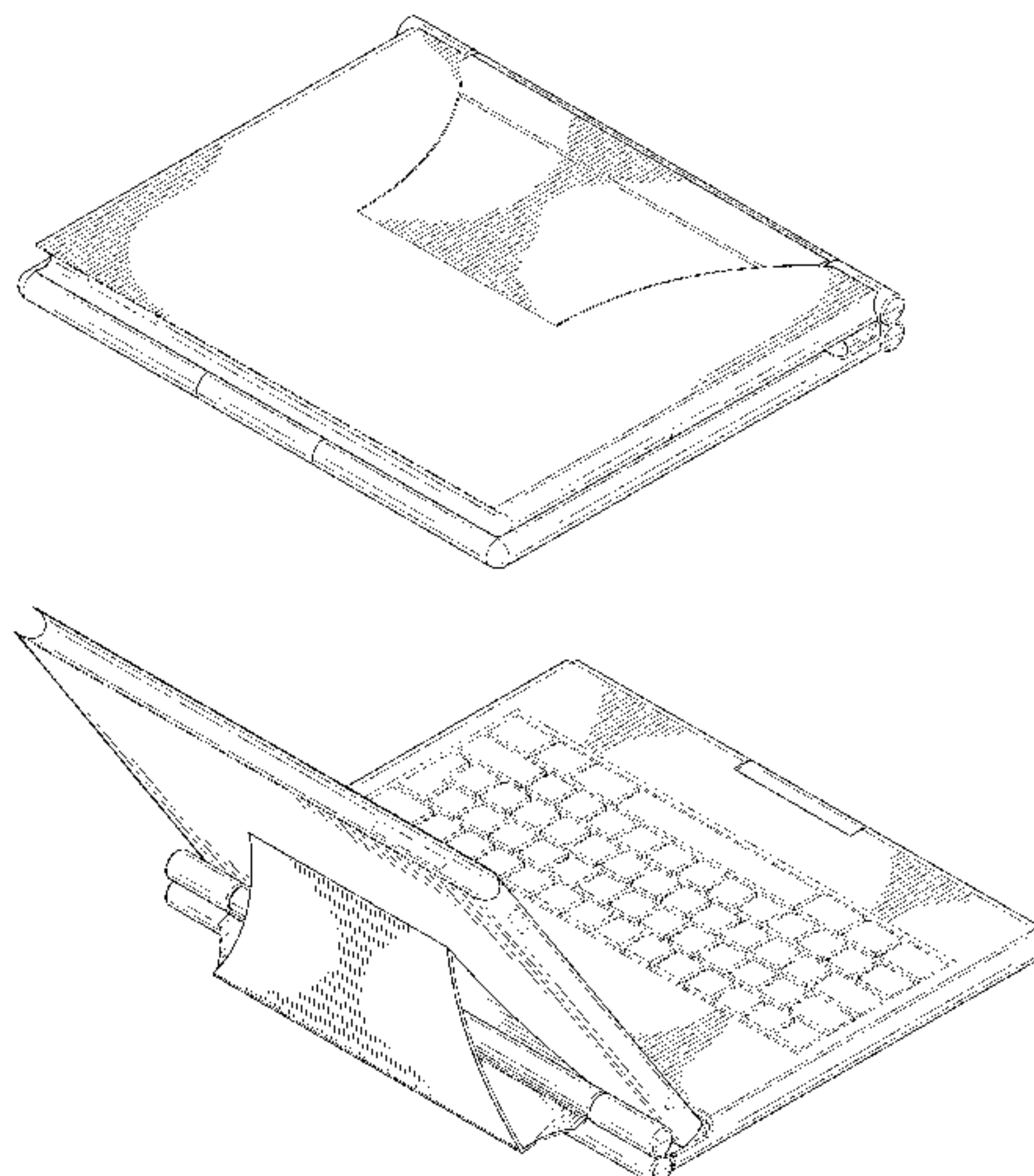
(57) **CLAIM**

The ornamental design for a tablet keyboard cover, as shown and described.

**DESCRIPTION**

FIG. 1 is a front perspective view of the tablet keyboard cover in a closed position;  
FIG. 2 is left side elevational view of the tablet keyboard cover in a closed position;  
FIG. 3 is a right side elevational view of the tablet keyboard cover in a closed position;  
FIG. 4 is a top elevational view of the tablet keyboard cover in a closed position;  
FIG. 5 is a bottom elevational view of the tablet keyboard cover in a closed position;  
FIG. 6 is a rear plan view of the tablet keyboard cover in a closed position;  
FIG. 7 is a front plan view of the tablet keyboard cover in a closed position;  
FIG. 8 is a rear perspective view of the tablet keyboard cover in a closed position;  
FIG. 9 is a perspective view of the tablet keyboard cover in an open position;  
FIG. 10 is a perspective view of the tablet keyboard cover in a tilted position and alternate configuration of use; and,  
FIG. 11 is a perspective view of the tablet keyboard cover in a tilted position and alternate configuration of use.  
The broken lines showing the tablet computer, keyboard and portions of the structure are for the purpose of illustrating environmental structure, and form no part of the claimed design.

**1 Claim, 8 Drawing Sheets**



(56)

References Cited

U.S. PATENT DOCUMENTS

6,772,879 B1 \* 8/2004 Domotor ..... 206/45.23  
 7,281,698 B2 \* 10/2007 Patterson, Jr. .... 248/458  
 7,414,833 B2 \* 8/2008 Kittayapong ..... 361/679.27  
 7,545,634 B2 6/2009 Simonian  
 D597,052 S \* 7/2009 Kim et al. .... D14/138 AB  
 D612,827 S \* 3/2010 Song et al. .... D14/138 AB  
 7,735,644 B2 \* 6/2010 Sirichai et al. .... 206/320  
 7,775,356 B2 8/2010 Palmer  
 D625,283 S \* 10/2010 Okada et al. .... D14/138 AB  
 D625,698 S \* 10/2010 Miyazaki et al. .... D14/138 AB  
 D634,313 S \* 3/2011 Fitzpatrick et al. .... D14/250  
 D638,254 S \* 5/2011 Barber ..... D7/354  
 D647,895 S \* 11/2011 Fathollahi ..... D14/250  
 D649,144 S \* 11/2011 Fathollahi ..... D14/250  
 8,056,871 B2 11/2011 Matias  
 D655,699 S \* 3/2012 Bau ..... D14/250  
 D656,494 S \* 3/2012 Bau ..... D14/250  
 D658,187 S \* 4/2012 Diebel ..... D14/440  
 D658,188 S \* 4/2012 Diebel ..... D14/440  
 8,230,992 B2 \* 7/2012 Law et al. .... 206/320  
 D665,810 S \* 8/2012 Jones et al. .... D14/440  
 8,245,843 B1 \* 8/2012 Wu ..... 206/320  
 8,312,991 B2 \* 11/2012 Diebel et al. .... 206/45.24  
 D671,948 S \* 12/2012 Akana et al. .... D14/440  
 D672,353 S \* 12/2012 Liu ..... D14/440  
 D674,803 S \* 1/2013 Westrup ..... D14/440  
 D675,625 S \* 2/2013 Hasbrook et al. .... D14/440  
 D678,260 S \* 3/2013 Bau ..... D14/250  
 D678,272 S \* 3/2013 Groene et al. .... D14/345  
 D678,293 S \* 3/2013 Meehan ..... D14/440  
 D679,715 S \* 4/2013 Akana et al. .... D14/440  
 8,424,830 B2 \* 4/2013 Yang et al. .... 248/459  
 D681,641 S \* 5/2013 Van Den Nieuwenhuizen  
 et al. .... D14/440  
 D682,836 S \* 5/2013 Akana et al. .... D14/440  
 D682,838 S \* 5/2013 Akana et al. .... D14/440  
 D683,141 S \* 5/2013 Symons ..... D6/310  
 D685,376 S \* 7/2013 Kim ..... D14/439  
 D687,438 S \* 8/2013 Lu ..... D14/440  
 D690,305 S \* 9/2013 Wen ..... D14/440  
 D690,702 S \* 10/2013 Chung ..... D14/440  
 D691,142 S \* 10/2013 Diebel ..... D14/440  
 D693,823 S \* 11/2013 Chen et al. .... D14/440  
 D694,523 S \* 12/2013 Chiang ..... D3/303  
 D694,759 S \* 12/2013 Chang et al. .... D14/440  
 D695,296 S \* 12/2013 Hsu ..... D14/440  
 D696,253 S \* 12/2013 Akana et al. .... D14/345  
 D696,256 S \* 12/2013 Piedra et al. .... D14/440

D696,669 S \* 12/2013 Akana et al. .... D14/440  
 D697,508 S \* 1/2014 Hsu ..... D14/345  
 8,640,864 B2 \* 2/2014 Chen et al. .... 206/45.2  
 8,657,112 B2 \* 2/2014 Igarashi ..... 206/320  
 D701,205 S \* 3/2014 Akana et al. .... D14/345  
 D702,673 S \* 4/2014 Murchison et al. .... D14/250  
 D703,647 S \* 4/2014 Kim ..... D14/250  
 D704,194 S \* 5/2014 Young ..... D14/440  
 D704,689 S \* 5/2014 Chang ..... D14/250  
 D704,693 S \* 5/2014 Kim ..... D14/250  
 D706,270 S \* 6/2014 Akana et al. .... D14/440  
 D706,783 S \* 6/2014 Almodova ..... D14/440  
 D707,229 S \* 6/2014 Almodova ..... D14/440  
 8,757,375 B2 \* 6/2014 Huang ..... 206/320  
 D708,838 S \* 7/2014 Lee ..... D3/201  
 8,763,795 B1 \* 7/2014 Oten et al. .... 206/45.23  
 8,766,921 B2 \* 7/2014 Ballagas et al. .... 345/168  
 8,773,353 B2 \* 7/2014 Wei ..... 345/156  
 8,783,458 B2 \* 7/2014 Gallagher et al. .... 206/320  
 D710,859 S \* 8/2014 Mecchella et al. .... D14/440  
 8,797,132 B2 \* 8/2014 Childs et al. .... 335/219  
 2003/0034263 A1 \* 2/2003 D'Hoste ..... 206/320  
 2005/0072893 A1 4/2005 Brown  
 2007/0097087 A1 \* 5/2007 Homer et al. .... 345/173  
 2007/0215512 A1 \* 9/2007 Bellissimo ..... 206/557  
 2008/0302687 A1 \* 12/2008 Sirichai et al. .... 206/320  
 2009/0159763 A1 \* 6/2009 Kim ..... 248/174  
 2010/0294909 A1 \* 11/2010 Hauser et al. .... 248/456  
 2011/0266194 A1 \* 11/2011 Bau ..... 206/736  
 2011/0290687 A1 \* 12/2011 Han ..... 206/320  
 2012/0037047 A1 2/2012 Moldovan  
 2012/0211377 A1 \* 8/2012 Sajid ..... 206/216  
 2012/0211613 A1 \* 8/2012 Yang et al. .... 248/174  
 2012/0305413 A1 \* 12/2012 Chung ..... 206/45.23  
 2012/0308981 A1 \* 12/2012 Libin et al. .... 434/362  
 2012/0322518 A1 \* 12/2012 Kim ..... 455/575.8  
 2013/0015088 A1 \* 1/2013 Wu ..... 206/320  
 2013/0020216 A1 \* 1/2013 Chiou ..... 206/320  
 2013/0140203 A1 \* 6/2013 Chiang ..... 206/320  
 2013/0213838 A1 \* 8/2013 Tsai et al. .... 206/320  
 2013/0214661 A1 \* 8/2013 McBroom ..... 312/325  
 2013/0241381 A1 \* 9/2013 Hyneczek et al. .... 312/240  
 2013/0264459 A1 \* 10/2013 McCosh et al. .... 248/688

FOREIGN PATENT DOCUMENTS

JP 2002341970 11/2002  
 WO WO 2004/006717 1/2004  
 WO WO 01/76405 10/2011  
 WO WO 2011/146575 11/2011

\* cited by examiner



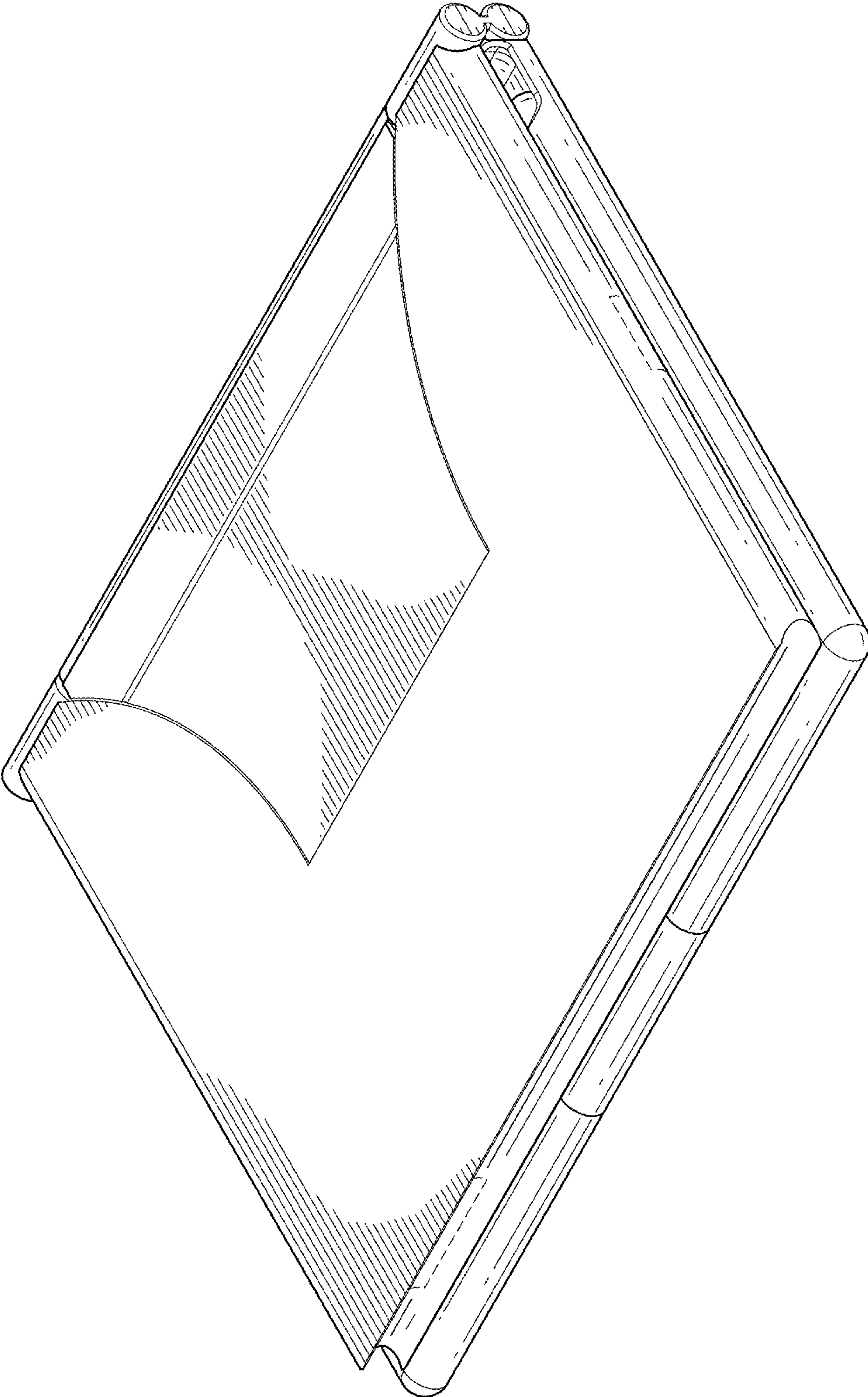


FIG. 1

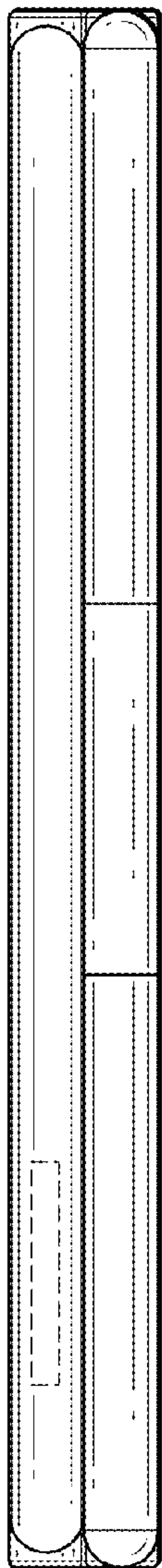


FIG. 2

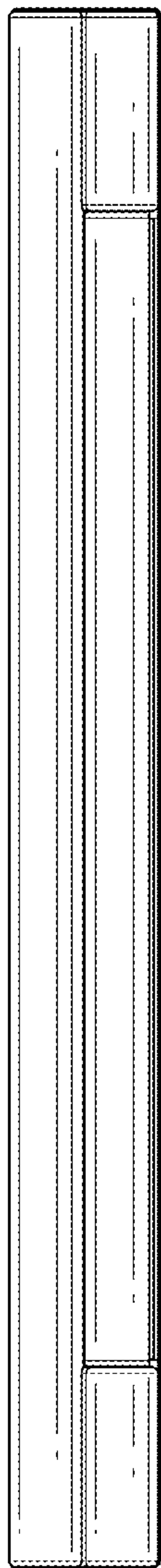


FIG. 3

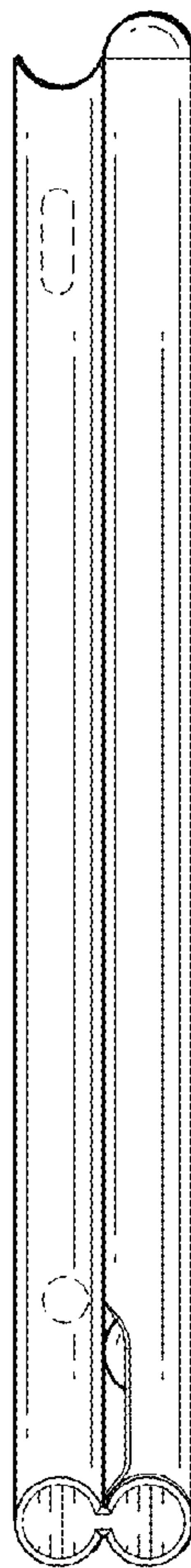


FIG. 4

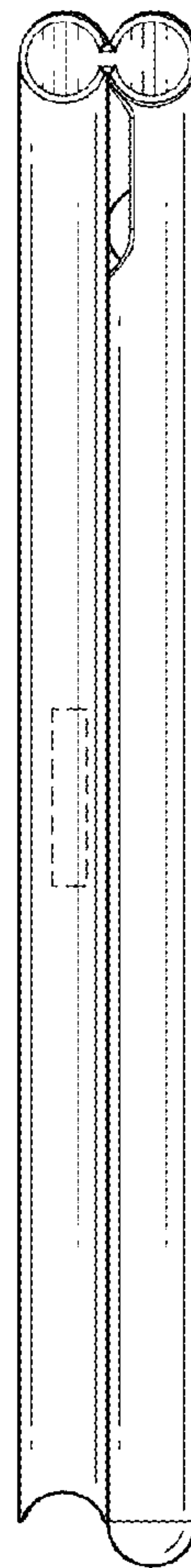


FIG. 5

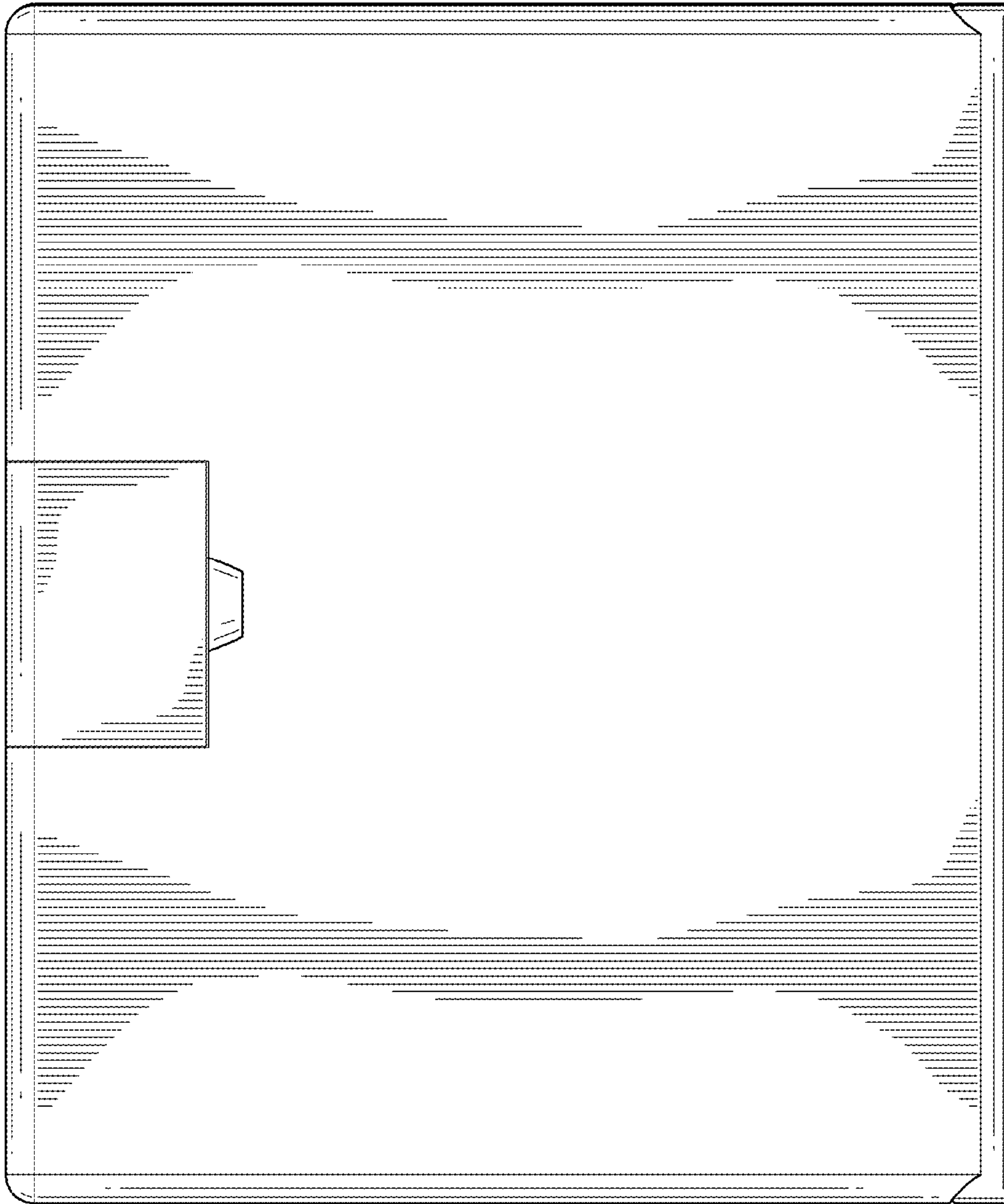


FIG. 6

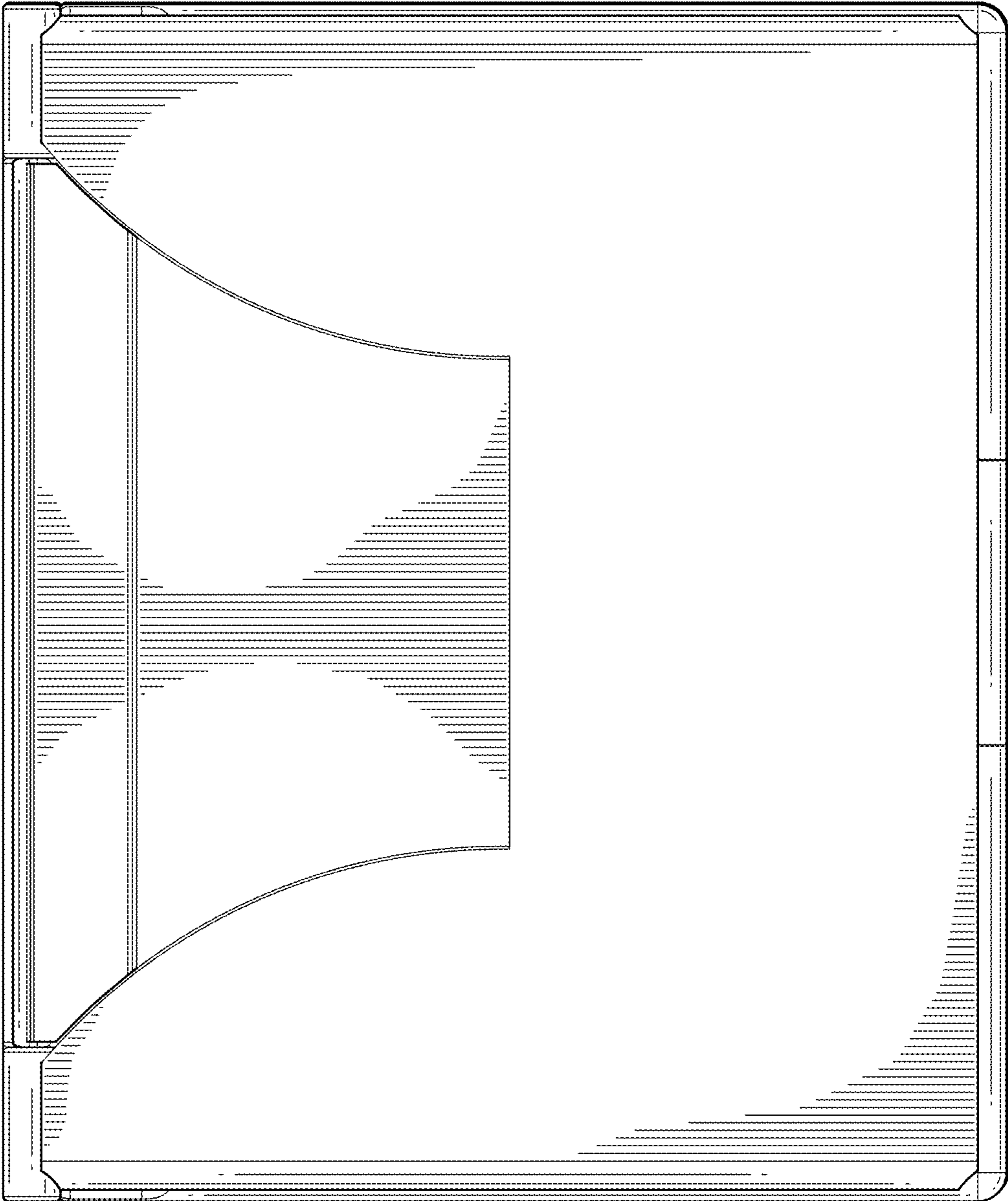


FIG. 7



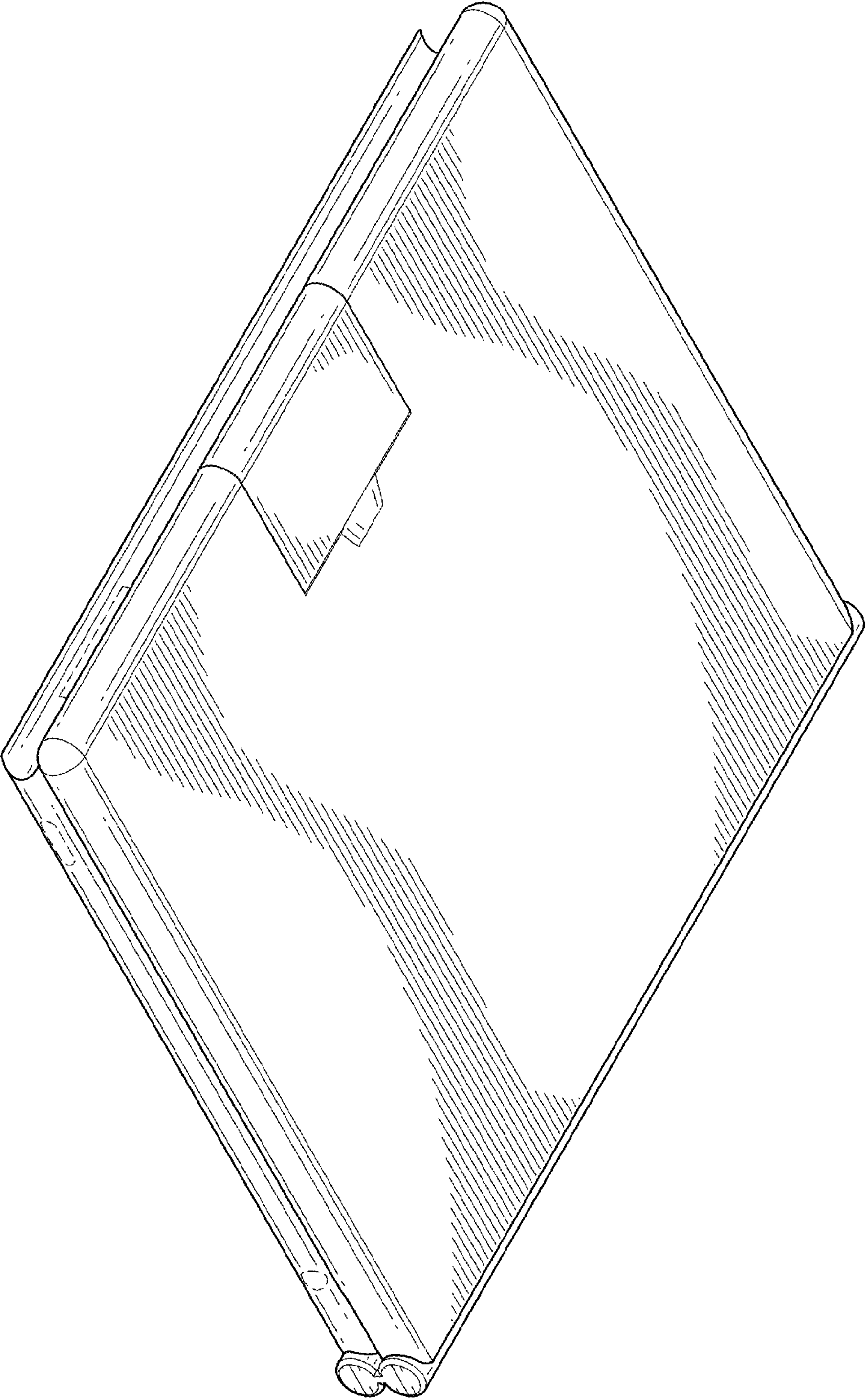


FIG. 8

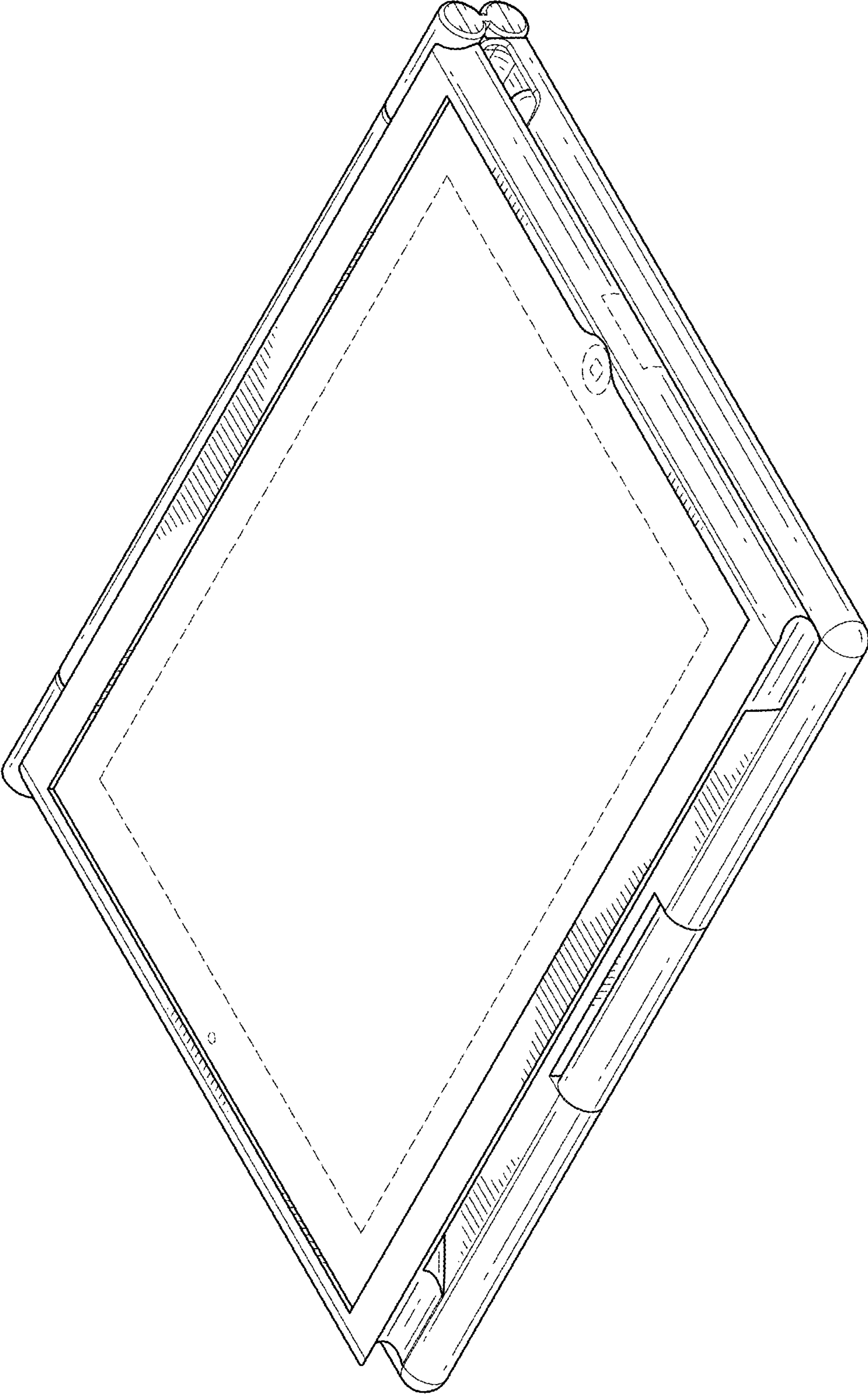


FIG. 9



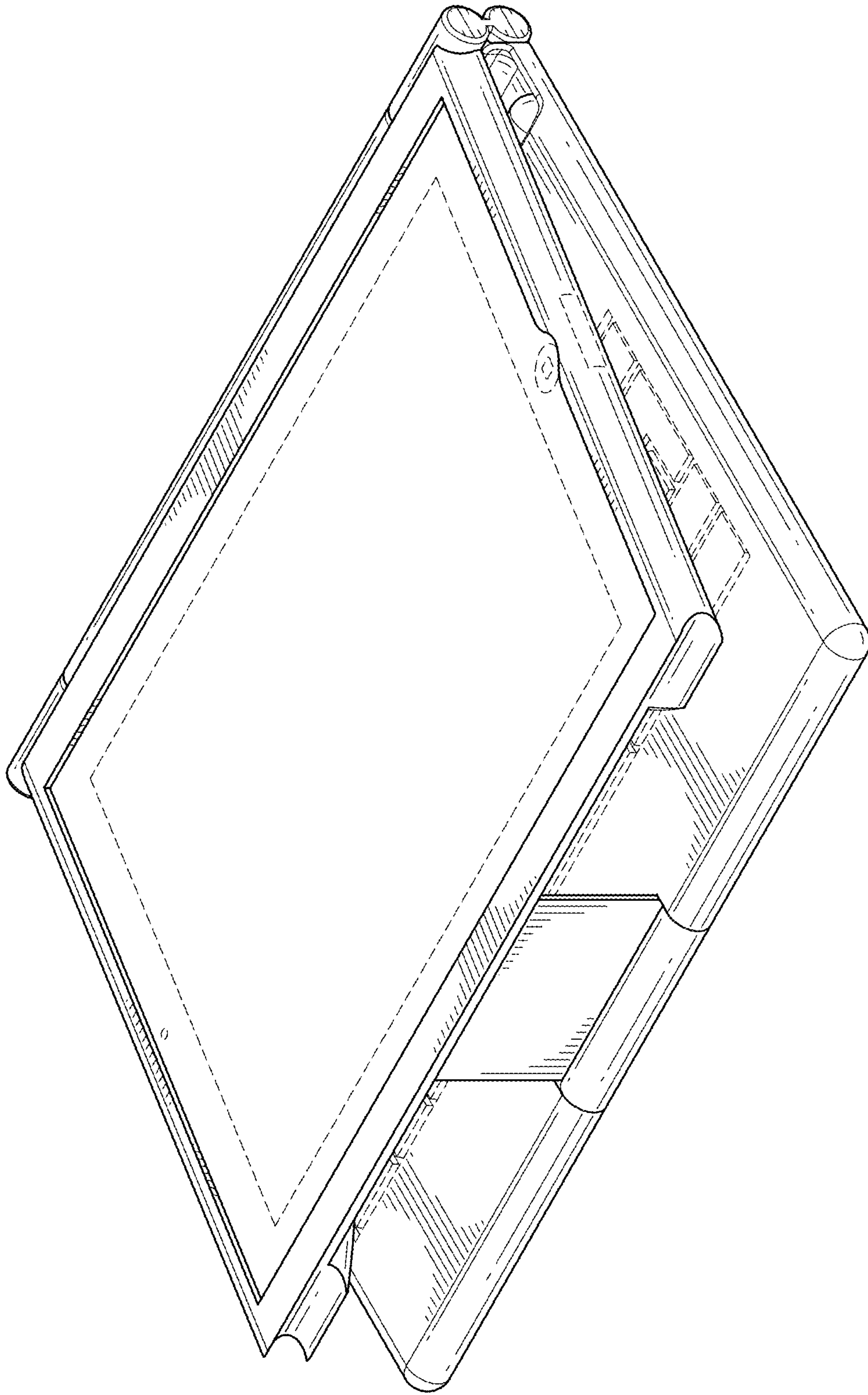


FIG. 10

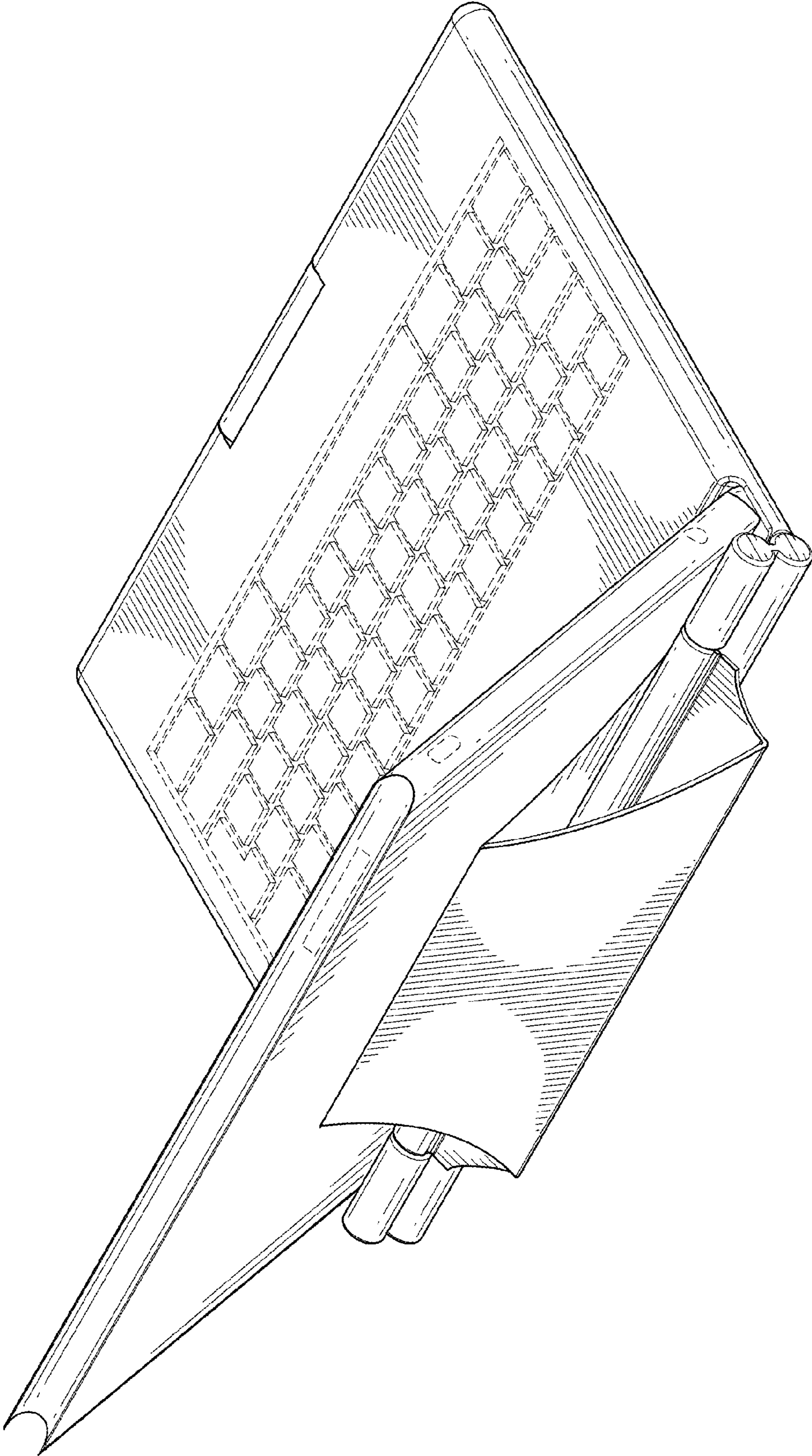


FIG. 11