

US00D719165S

(12) **United States Design Patent**
Hill et al.

(10) **Patent No.:** **US D719,165 S**
(45) **Date of Patent:** **** Dec. 9, 2014**

(54) **VIDEO GAME CONTROLLER JOYSTICK COVER**

(76) Inventors: **Sammy Hill**, Fort Myers, FL (US);
Kiley Hill, Fort Myers, FL (US)

(**) Term: **14 Years**

(21) Appl. No.: **29/424,808**

(22) Filed: **Jun. 15, 2012**

(51) **LOC (10) Cl.** **14-03**

(52) **U.S. Cl.**
USPC **D14/412; D14/454; D21/333**

(58) **Field of Classification Search**
USPC D14/217, 218, 356, 388, 389, 400, 401,
D14/412-416, 432-434, 454, 496;
D21/324, 332, 333; D34/27, 35; 463/1,
463/30, 36-38, 46, 47; 345/156-161, 905;
D12/174, 178-180; D8/300, 303;
D15/138, 142; 74/489, 502.2, 523,
74/551.8, 551.9; D13/168

See application file for complete search history.

(56) **References Cited**

U.S. PATENT DOCUMENTS

| | | | | |
|--------------|---------|-----------------|-------|---------|
| D416,588 S * | 11/1999 | Goto | | D14/454 |
| D453,335 S * | 2/2002 | Downs | | D14/432 |
| 6,459,420 B1 | 10/2002 | Harris | | |
| 7,167,159 B2 | 1/2007 | Bailey | | |
| D540,395 S * | 4/2007 | Bailey | | D21/333 |
| D565,668 S * | 4/2008 | Baseflug et al. | | D21/333 |
| D603,457 S * | 11/2009 | Julskjer et al. | | D21/324 |

| | | | | |
|-------------------|---------|------------------|-------|---------|
| D617,847 S * | 6/2010 | Royer et al. | | D21/333 |
| 7,762,553 B2 | 7/2010 | Harris | | |
| D631,098 S * | 1/2011 | Ashida et al. | | D21/333 |
| D638,067 S * | 5/2011 | Suetake et al. | | D21/333 |
| 8,100,772 B2 | 1/2012 | Sternberg et al. | | |
| D692,003 S * | 10/2013 | Coulter | | D14/412 |
| D693,346 S * | 11/2013 | Coulter | | D14/412 |
| D711,474 S * | 8/2014 | Wikel | | D21/333 |
| 2004/0056841 A1 * | 3/2004 | Slotta | | 345/161 |
| 2009/0038721 A1 * | 2/2009 | Wakitani et al. | | 150/154 |

* cited by examiner

Primary Examiner — Keli L Hill

(74) *Attorney, Agent, or Firm* — Crossley Patent Law

(57) **CLAIM**

The ornamental design for a video game controller joystick cover, as shown and described.

DESCRIPTION

FIG. 1 is a front elevation view of a video game controller joystick cover showing our new design, the rear elevation view, the right elevation view, and the left elevation view being mirror images of the shown;

FIG. 2 is a cross-sectional view thereof taken along line 2-2 of FIG. 1;

FIG. 3 is a top plan view thereof;

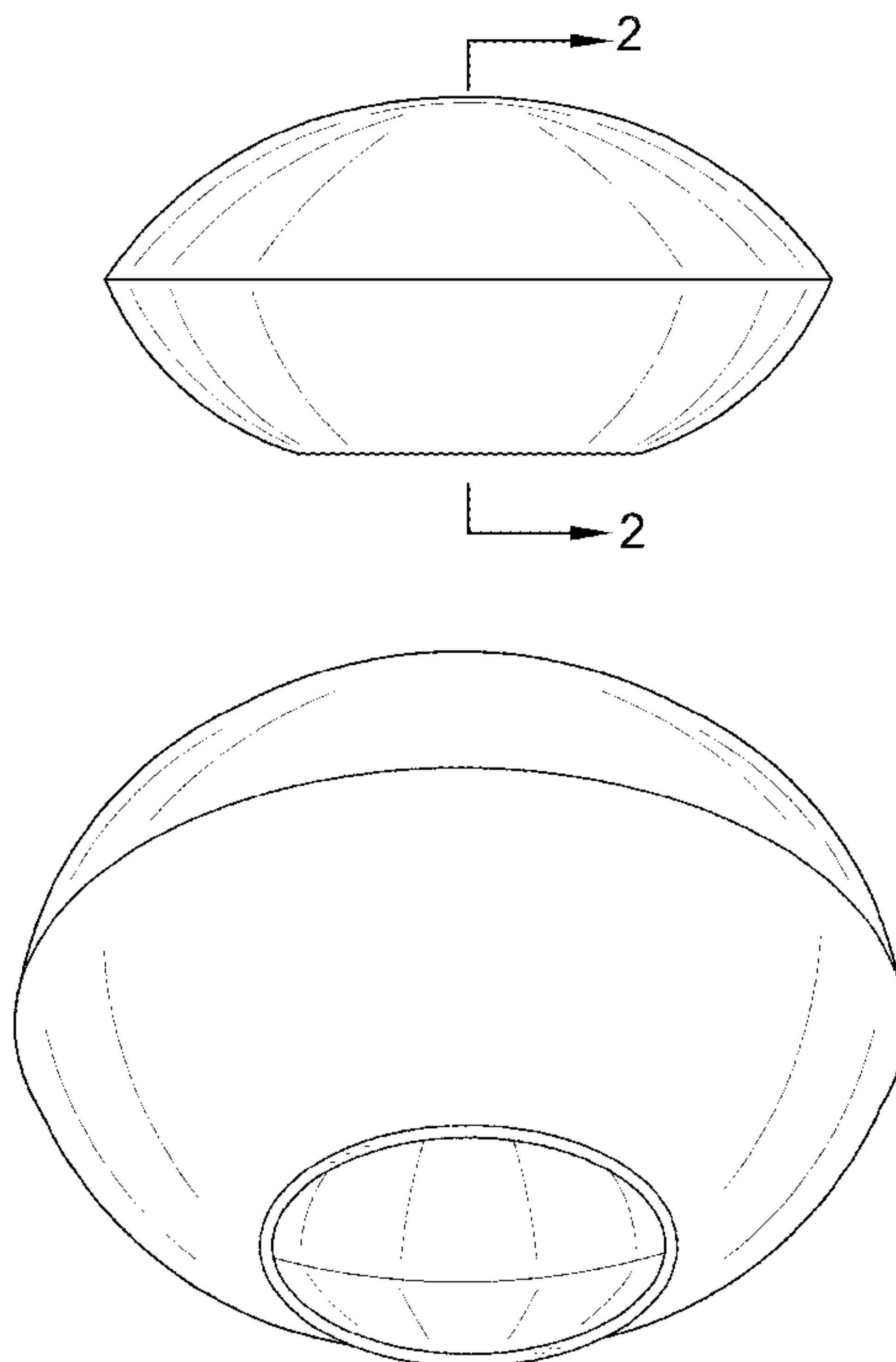
FIG. 4 is a bottom plan view thereof;

FIG. 5 is an isometric view thereof; and,

FIG. 6 is an in-use isometric view thereof.

The broken lines in FIG. 6 of the drawings depict a video game controller with a joystick as environmental subject matter only and form no part of the claimed design.

1 Claim, 4 Drawing Sheets



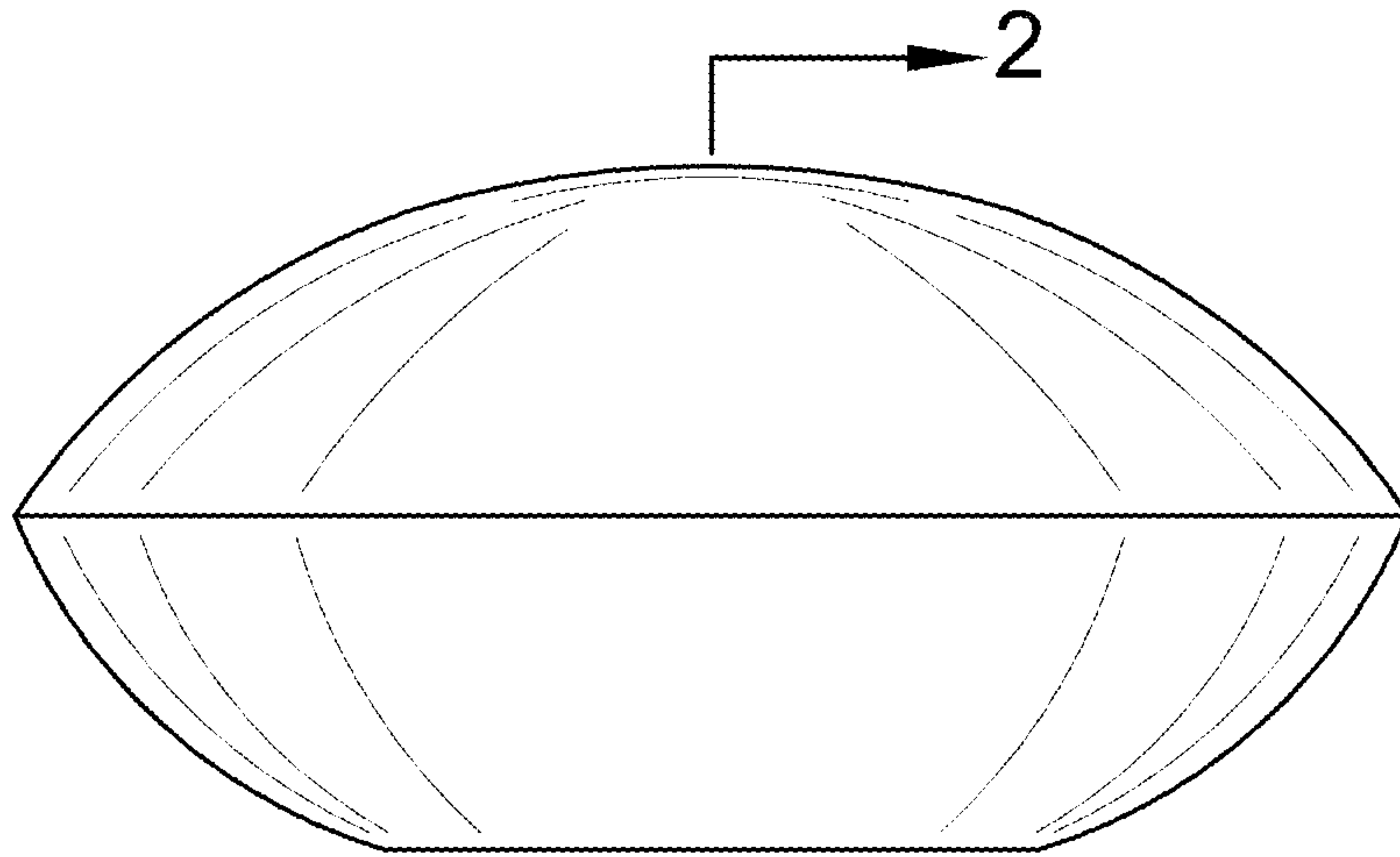


FIG. 1

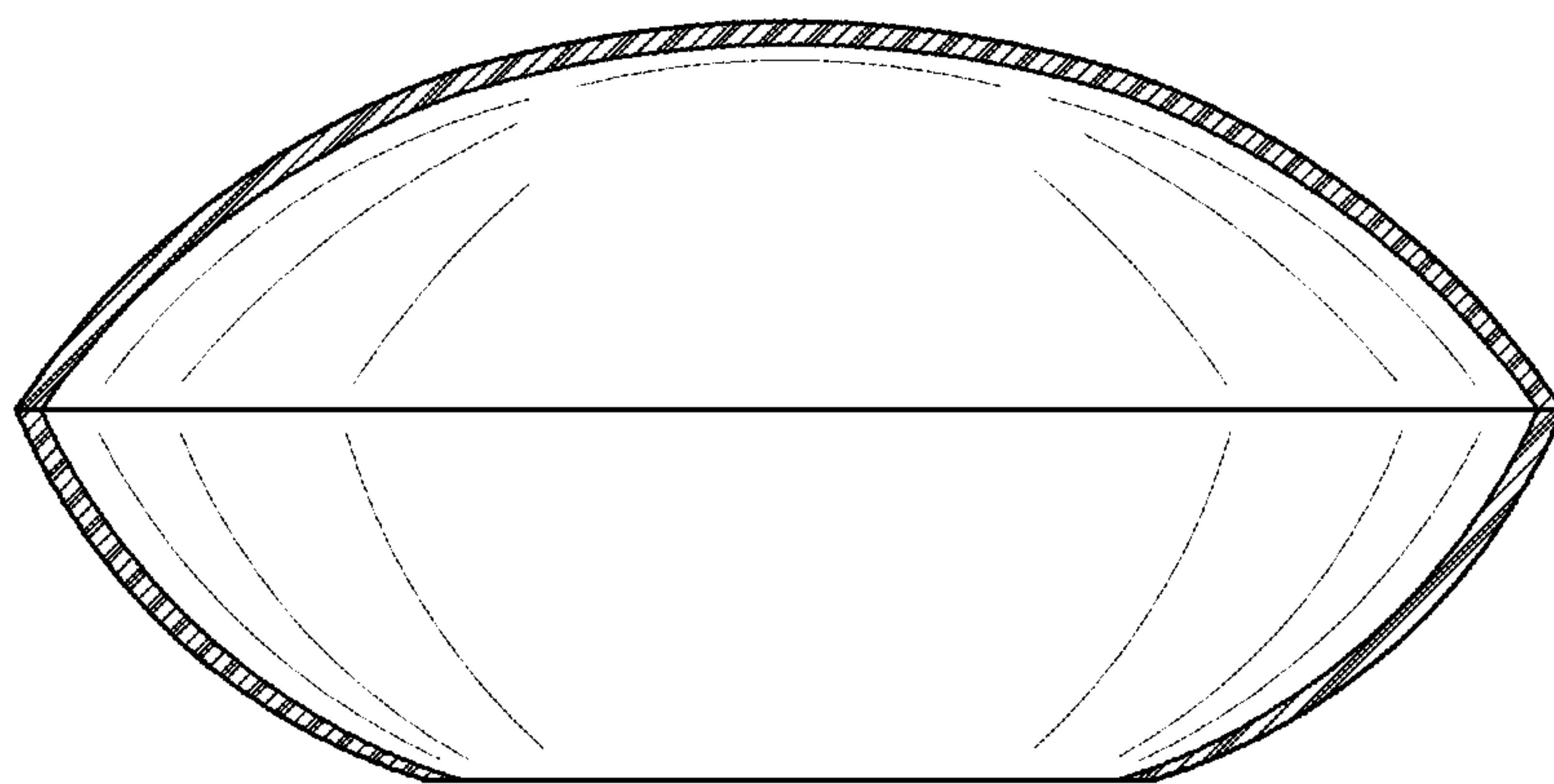
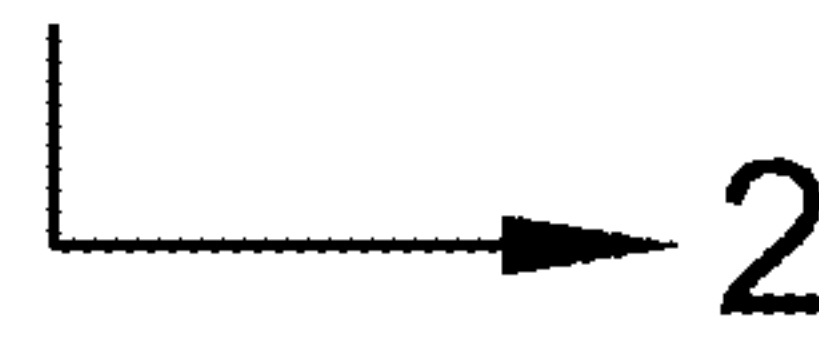


FIG. 2

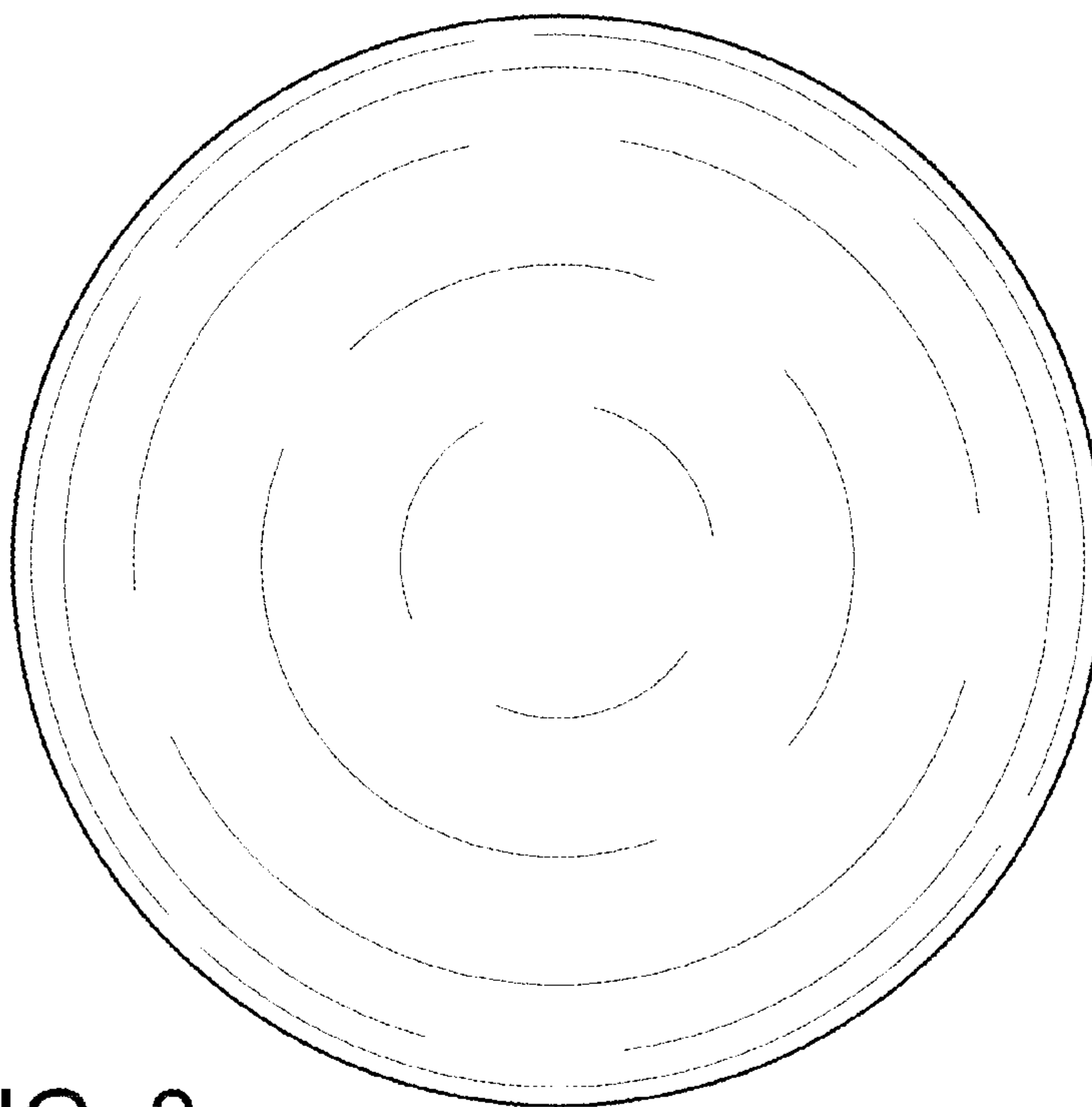


FIG. 3

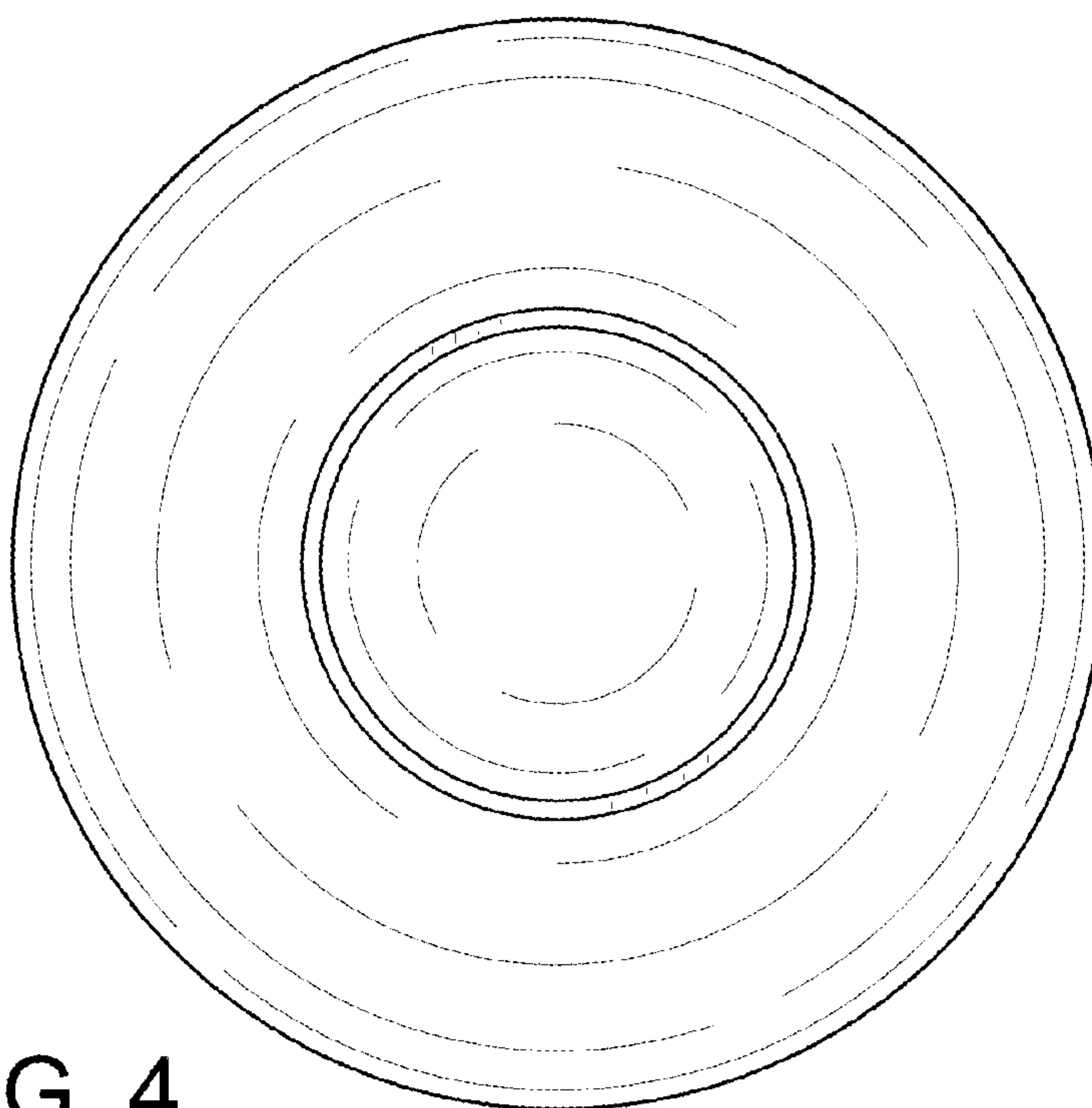


FIG. 4

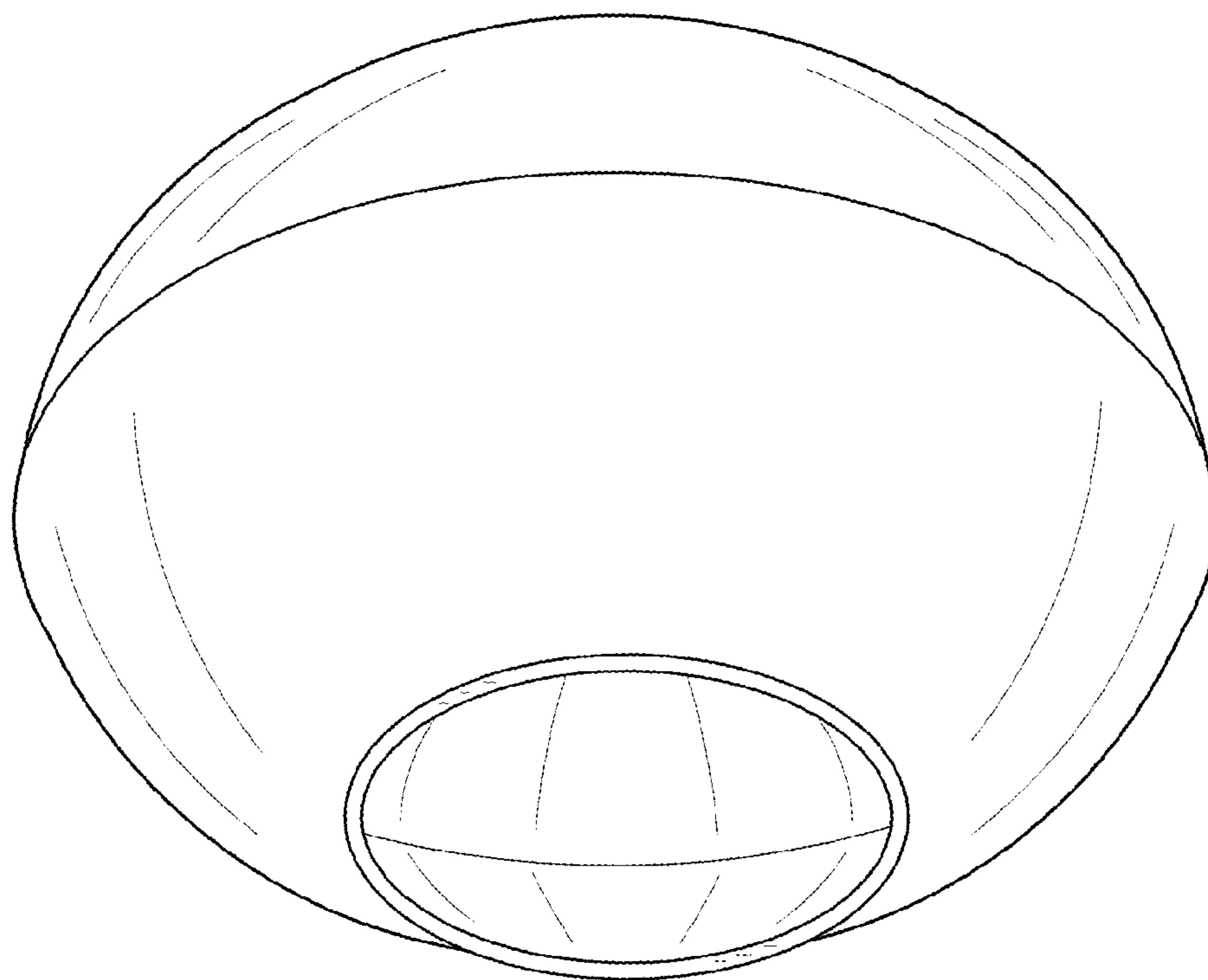


FIG. 5

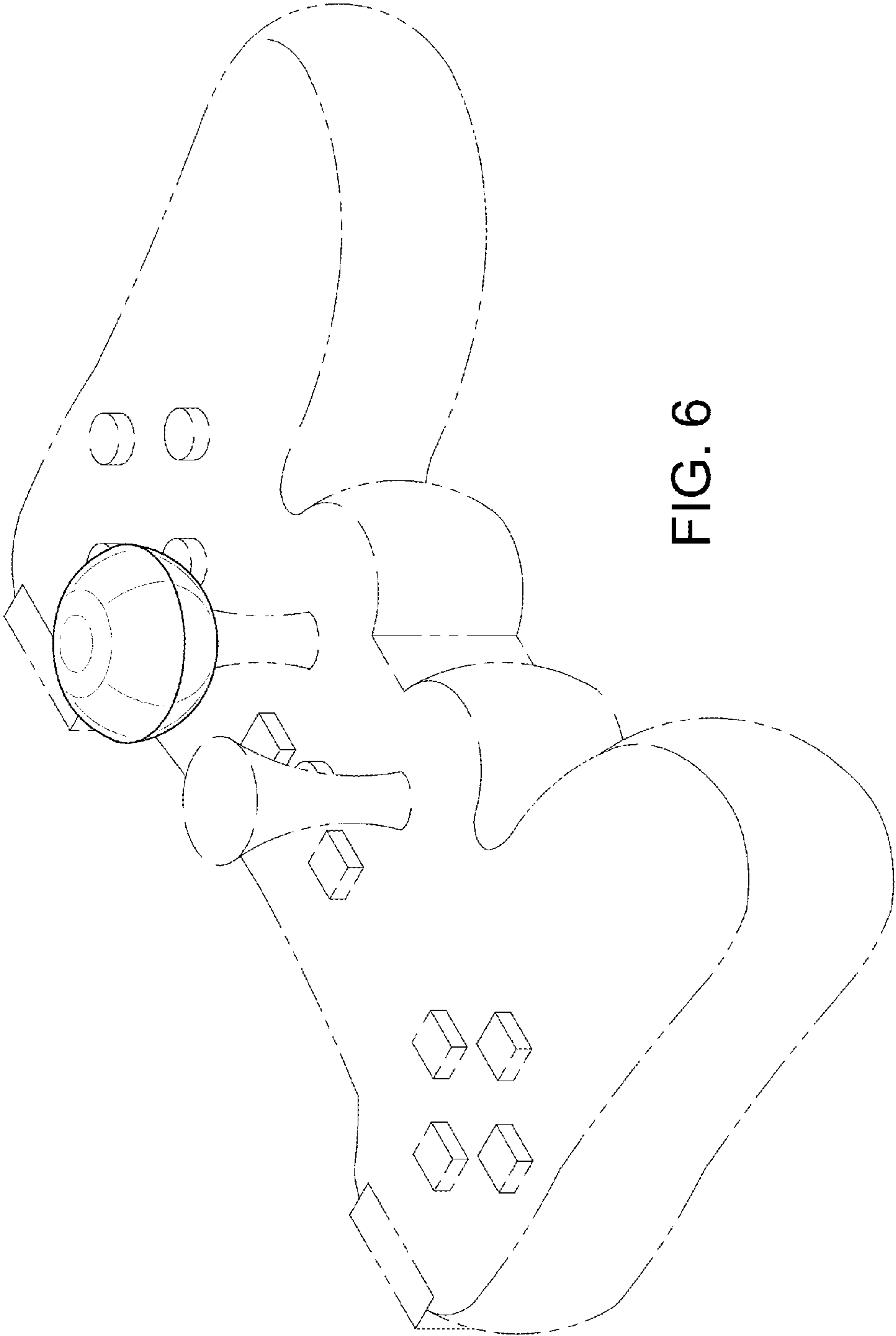


FIG. 6