



US00D719163S

(12) **United States Design Patent**
Dowd et al.

(10) **Patent No.:** **US D719,163 S**
(45) **Date of Patent:** **** Dec. 9, 2014**

- (54) **MULTIFUNCTIONAL STYLUS**
- (71) Applicant: **Adobe Systems Incorporated**, San Jose, CA (US)
- (72) Inventors: **Geoffrey Dowd**, San Francisco, CA (US); **Steve Sangik Lee**, Walnut Creek, CA (US)
- (73) Assignee: **Adobe Systems Incorporated**, San Jose, CA (US)
- (**) Term: **14 Years**
- (21) Appl. No.: **29/468,683**
- (22) Filed: **Oct. 2, 2013**

D585,489 S 1/2009 Han
 D615,588 S 5/2010 Hillemann
 D615,589 S 5/2010 Hillemann

(Continued)

OTHER PUBLICATIONS

“U.S. Appl. No. 29/453,913, Notice of Allowance mailed Sep. 5, 2013”, 9 pgs.

Primary Examiner — Austin Murphy

(74) *Attorney, Agent, or Firm* — Shook, Hardy & Bacon L.L.P.

(57) **CLAIM**

The ornamental design for a multifunctional stylus, as shown and described.

DESCRIPTION

A portion of the disclosure of this patent document contains material which is subject to copyright protection. The copyright owner has no objection to facsimile reproduction by anyone of the patent document or the patent disclosure, as it appears in the Patent and Trademark Office patent file or records, but otherwise reserves all other copyright rights whatsoever. The following notice applies to the drawings that form a part of this document: Copyright © 2013 Adobe Systems Inc. All rights reserved.

FIG. 1 is a perspective view of a multifunctional stylus.

FIG. 2 is a top plan view of an end of the multifunctional stylus.

FIG. 3 is a bottom plan view of the other end of the multifunctional stylus.

FIG. 4 is a first side view of the multifunctional stylus.

FIG. 5 is a second side view of the multifunctional stylus.

FIG. 6 is a third side view of the multifunctional stylus.

FIG. 7 is a fourth side view of the multifunctional stylus; and, FIG. 8 is perspective view of a multifunctional stylus.

Subject matter shown in broken lines, including all text, is environmental and forms no part of the claimed design.

Related U.S. Application Data

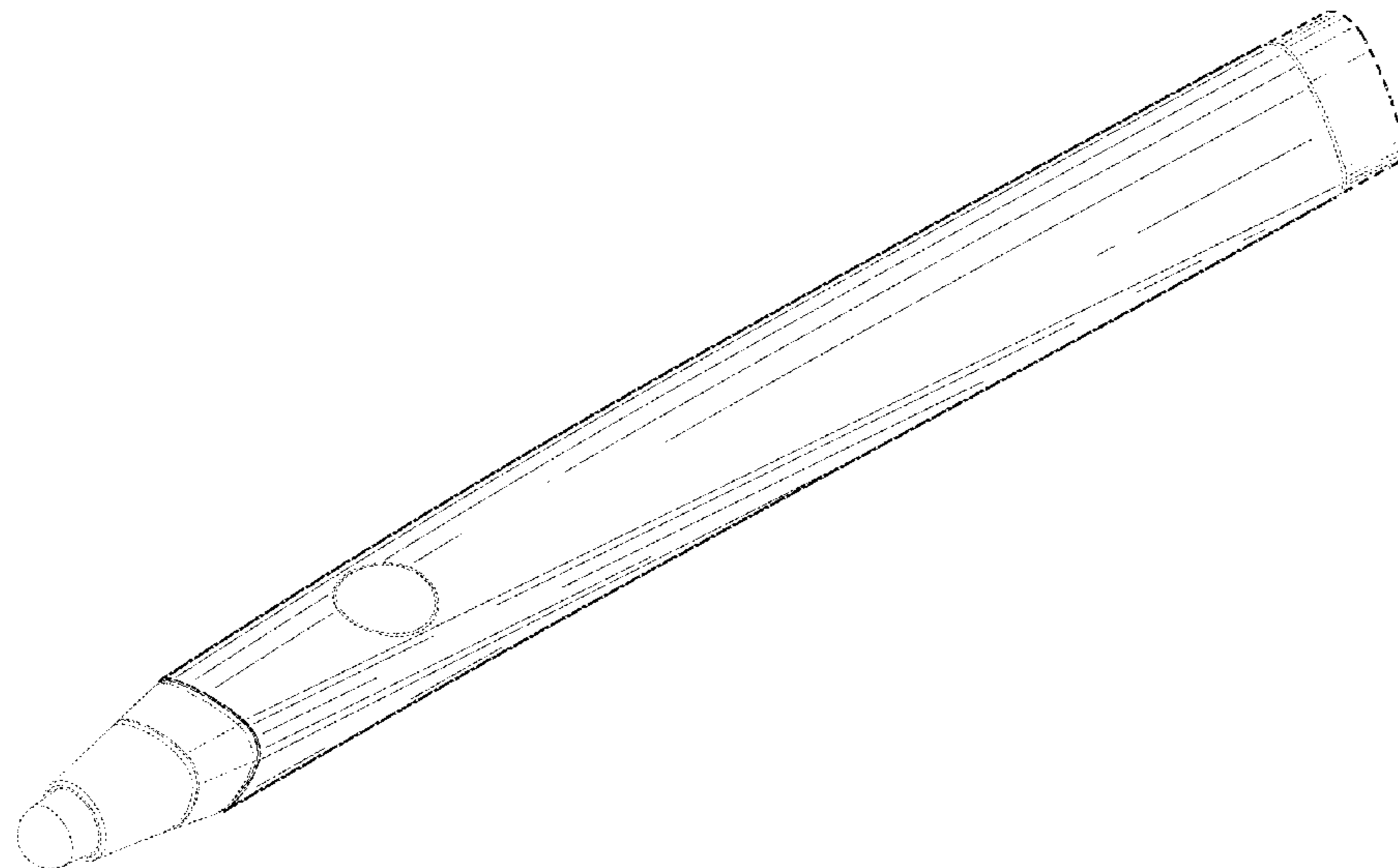
- (62) Division of application No. 29/453,913, filed on May 3, 2013, now Pat. No. Des. 697,916.
- (51) **LOC (10) Cl.** **14-02**
- (52) **U.S. Cl.**
USPC **D14/411**
- (58) **Field of Classification Search**
USPC D8/61; D14/411; D19/35, 36, 41–51, D19/54–58; 401/55, 99, 100, 104–107, 196, 401/197, 202, 208, 209, 213, 192, 195, 401/243; 708/107; 345/179, 173; 178/19.01; 700/94
See application file for complete search history.

(56) **References Cited**

U.S. PATENT DOCUMENTS

D294,263 S	2/1988	Rodgers et al.
D327,476 S	6/1992	Valls et al.
D419,541 S	1/2000	Kawashima
D472,924 S	4/2003	Pan
D522,579 S	6/2006	Sim

1 Claim, 3 Drawing Sheets



(56)

References Cited

U.S. PATENT DOCUMENTS

D641,755 S * 7/2011 Rashid et al. D14/411
D645,506 S * 9/2011 Hung D19/36
D654,537 S * 2/2012 Hung D19/36
D655,753 S * 3/2012 Han D19/36

D662,979 S * 7/2012 Xie D19/43
D676,049 S * 2/2013 Lee et al. D14/411
D681,038 S 4/2013 Tomohiro
D692,429 S * 10/2013 So D14/411
D692,889 S * 11/2013 So D14/411
D697,916 S * 1/2014 Dowd et al. D14/411

* cited by examiner

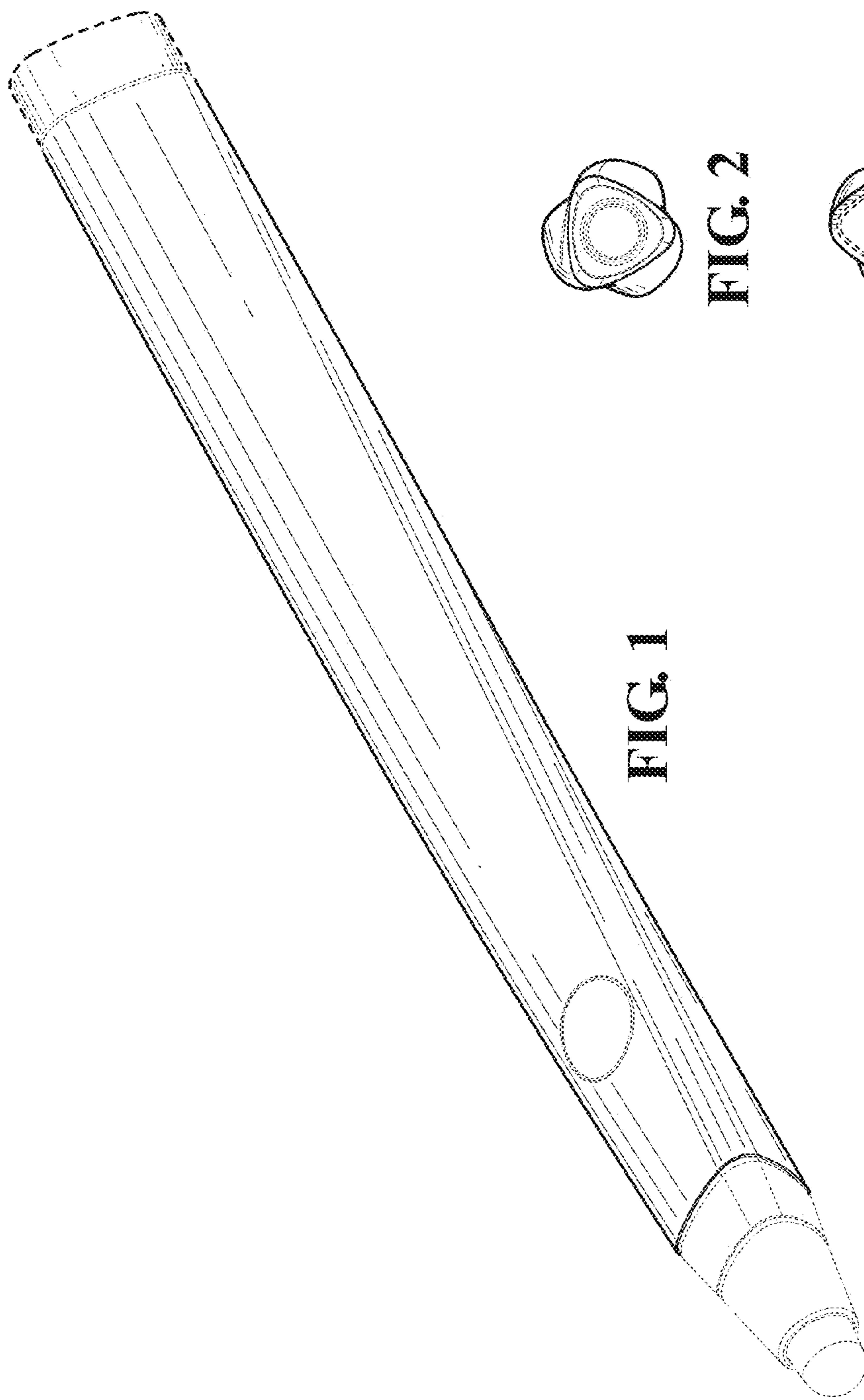


FIG. 1

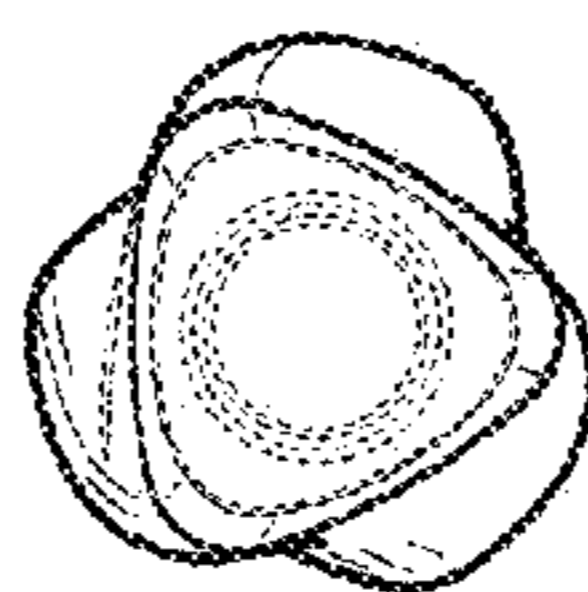


FIG. 2

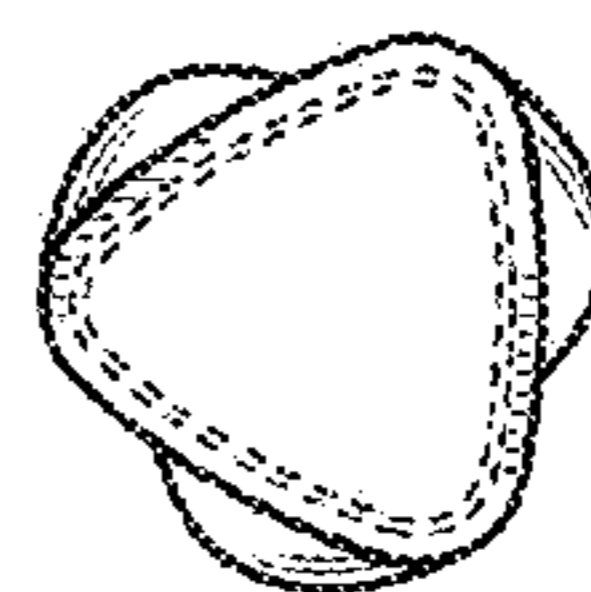


FIG. 3

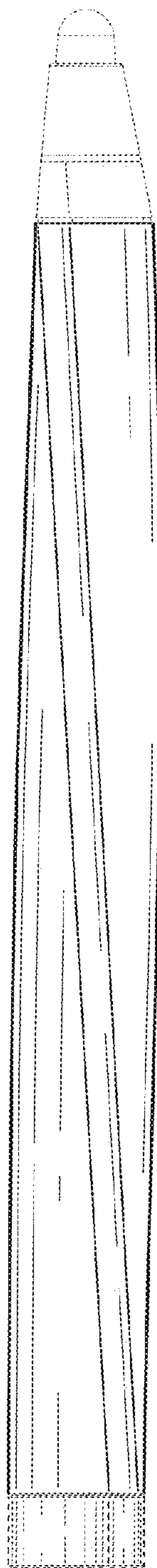


FIG. 4

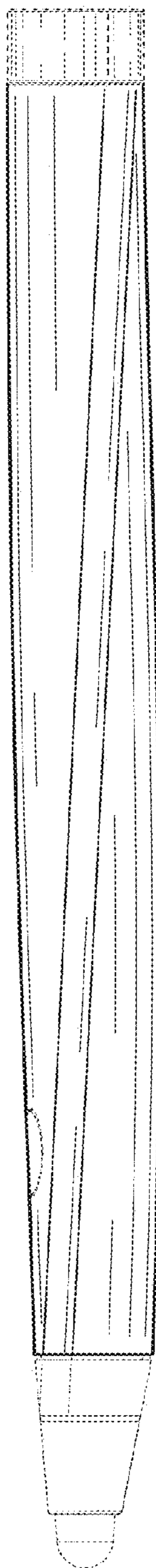


FIG. 5

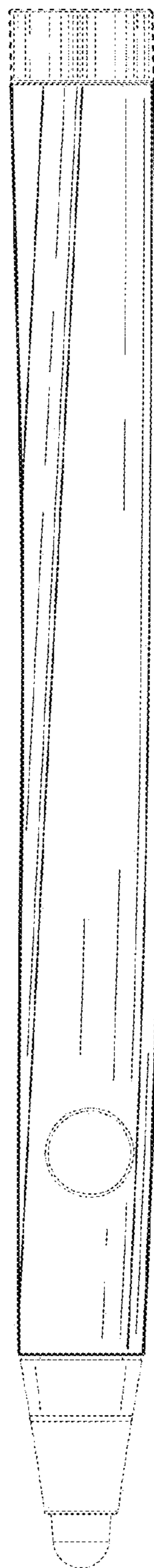


FIG. 6

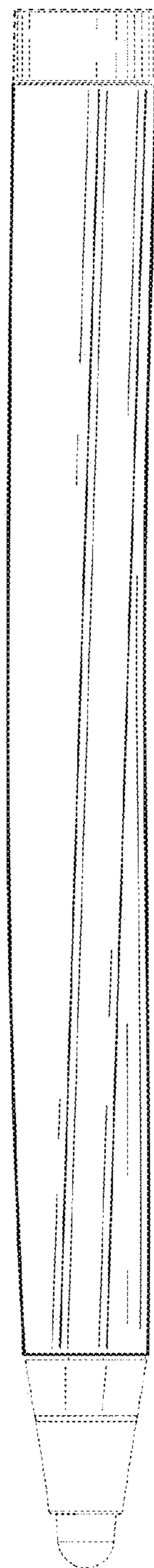


FIG. 7

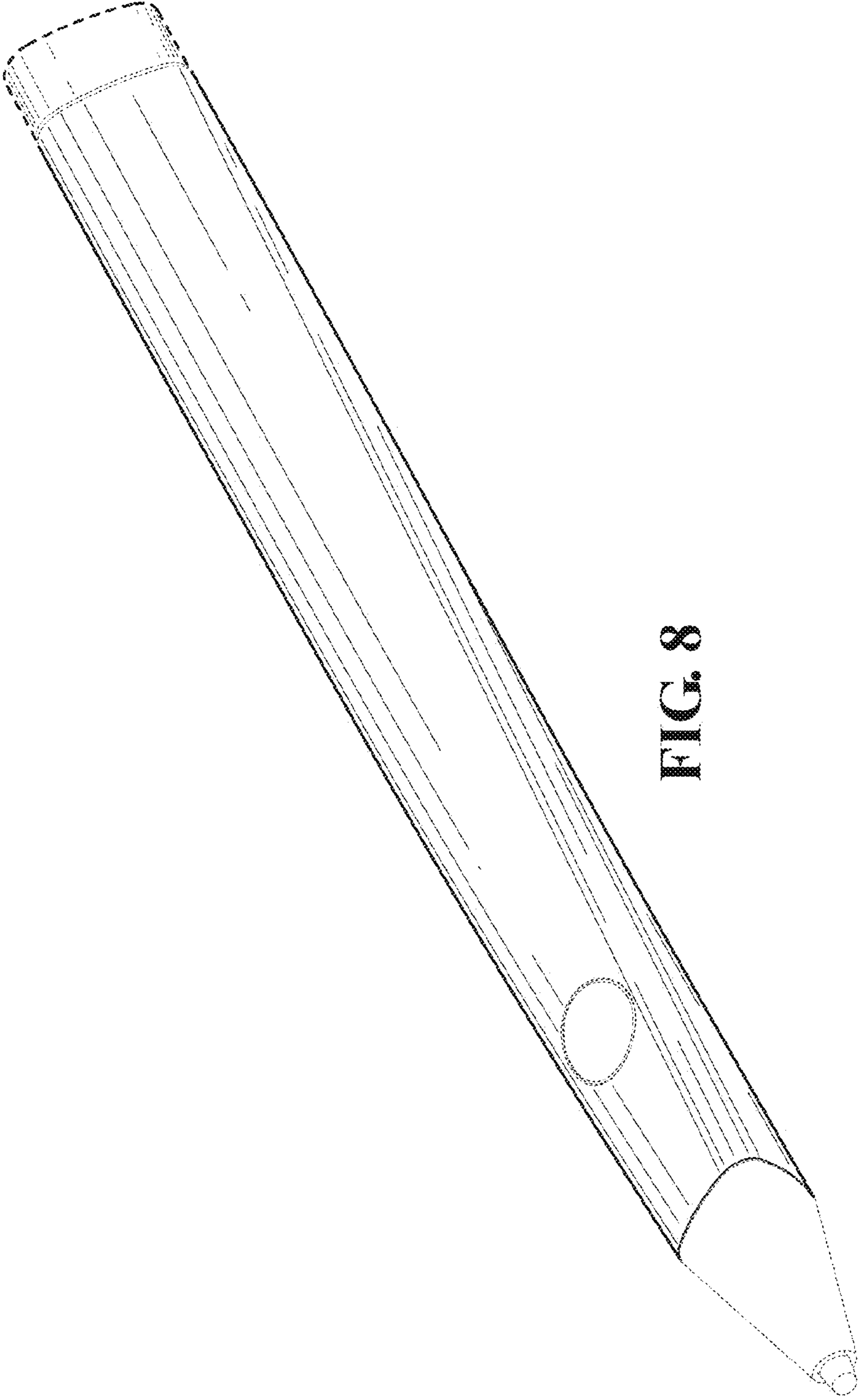


FIG. 8