

US00D719162S

(12) **United States Design Patent**  
**Albers et al.**

(10) **Patent No.:** **US D719,162 S**  
(45) **Date of Patent:** **\*\* Dec. 9, 2014**

- (54) **THREE BUTTON STYLUS**
- (71) Applicant: **zSpace, Inc.**, Sunnyvale, CA (US)
- (72) Inventors: **Michael C. Albers**, San Francisco, CA (US); **David A. Chavez**, San Jose, CA (US); **Kevin S. Yamada**, Sunnyvale, CA (US); **Michael A. Vesely**, Santa Cruz, CA (US)
- (73) Assignee: **zSpace, Inc.**, Sunnyvale, CA (US)
- (\*\*) Term: **14 Years**
- (21) Appl. No.: **29/437,600**
- (22) Filed: **Nov. 19, 2012**
- (51) **LOC (10) Cl.** ..... **14-02**
- (52) **U.S. Cl.**  
USPC ..... **D14/411**
- (58) **Field of Classification Search**  
CPC ..... G06F 3/03545; G06F 3/03546  
USPC ..... 401/104, 103, 107, 197, 202, 209, 213, 401/243; D14/411, 342, 412, 415, 431; D19/101, 117, 115, 130, 156, 158, 159, D19/160, 163, 168, 177, 178, 180, 198, 200  
See application file for complete search history.

- (56) **References Cited**  
U.S. PATENT DOCUMENTS  
D190,307 S \* 5/1961 Bieger ..... D19/51  
D368,079 S \* 3/1996 Ive et al. .... D14/411

- D541,338 S \* 4/2007 Wang ..... D19/43
- D547,800 S \* 7/2007 Gallay et al. .... D19/41
- D579,495 S \* 10/2008 Yoon ..... D19/44
- D630,219 S \* 1/2011 Fujino et al. .... D14/411
- D646,277 S \* 10/2011 Kim et al. .... D14/411
- D646,279 S \* 10/2011 Shih et al. .... D14/411
- D669,126 S \* 10/2012 Liu ..... D19/44
- D685,792 S \* 7/2013 Nakajima et al. .... D14/411
- D692,948 S \* 11/2013 Boisdevesys et al. .... D19/917
- 2010/0028071 A1 \* 2/2010 Kurek ..... 401/107
- 2012/0039662 A1 \* 2/2012 Zhang et al. .... 401/195

\* cited by examiner

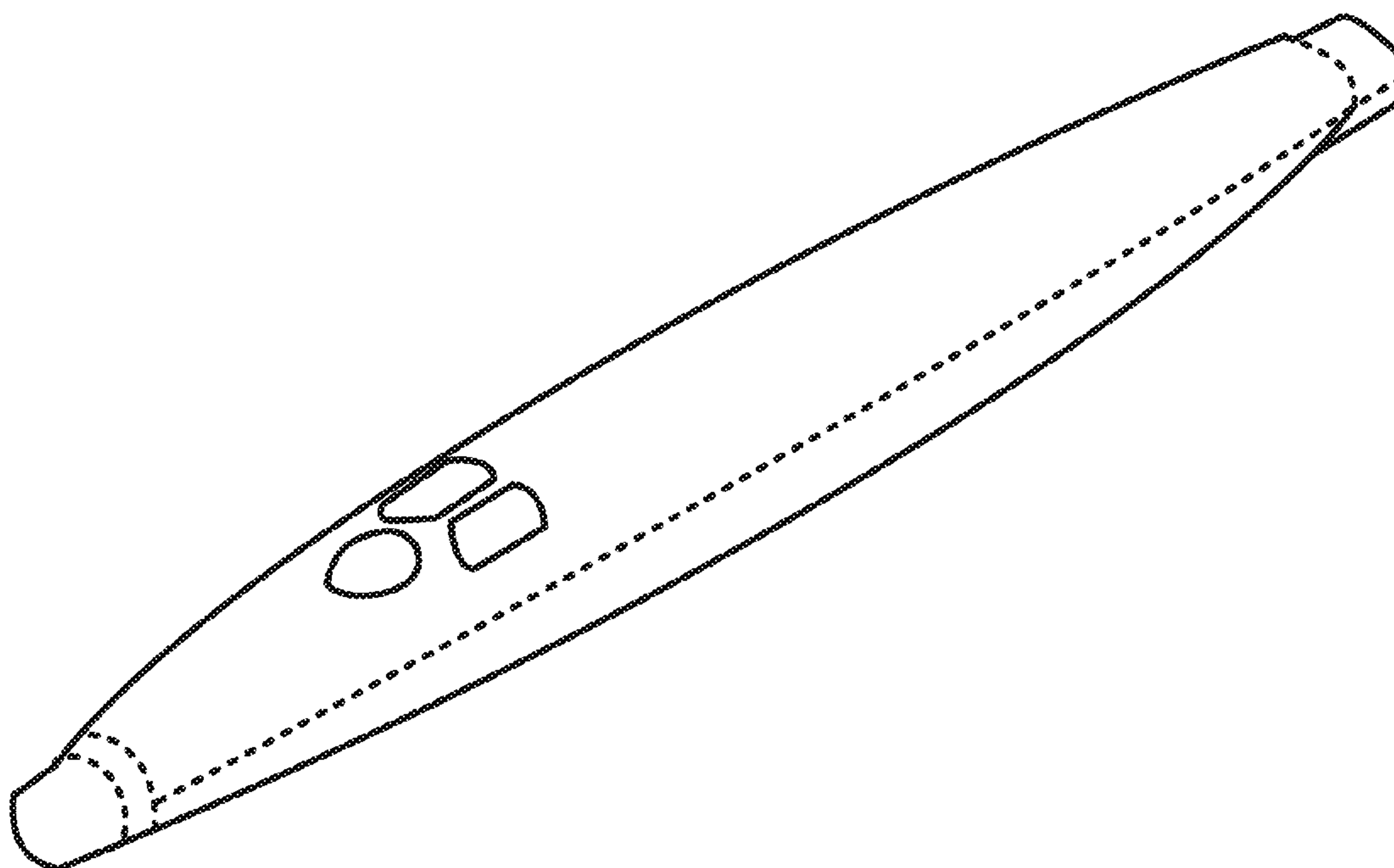
*Primary Examiner* — George D. Kirschbaum  
*Assistant Examiner* — Kendra L. Hamilton  
 (74) *Attorney, Agent, or Firm* — Meyertons Hood Kivlin Kowert & Goetzel, P.C.; Jeffrey C. Hood

(57) **CLAIM**  
 The ornamental design for a three button stylus, as shown and described.

**DESCRIPTION**

FIG. 1 is a right view of a three button stylus.  
 FIG. 2 is a left view of a three button stylus.  
 FIG. 3 is an enlarged front view of a three button stylus.  
 FIG. 4 is an enlarged rear view of a three button stylus.  
 FIG. 5 is a top view of a three button stylus.  
 FIG. 6 is a bottom view of a three button stylus; and,  
 FIG. 7 is a top-left view of a three button stylus.  
 The broken lines represent the portions of the three button stylus that form no part of the claimed design.

**1 Claim, 2 Drawing Sheets**



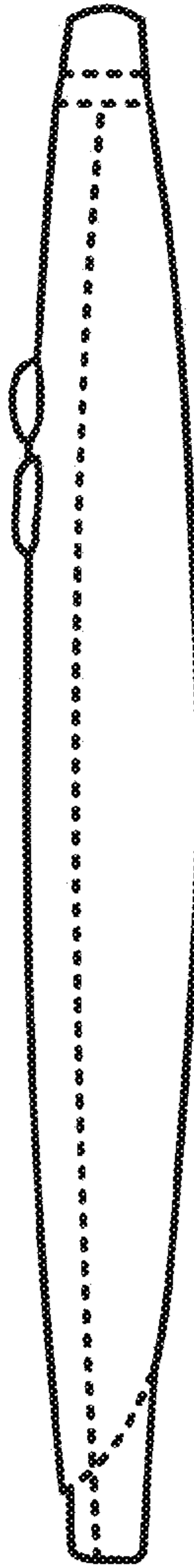


FIG. 1

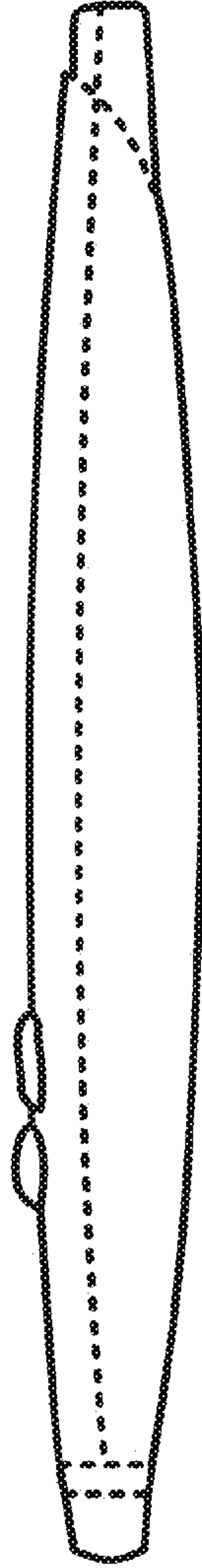


FIG. 2

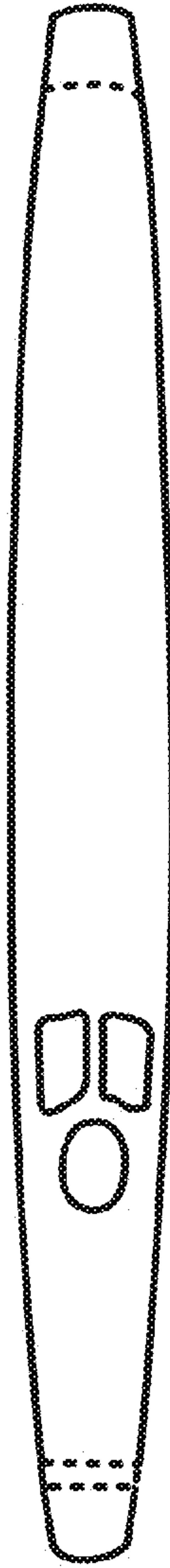


FIG. 5



FIG. 6

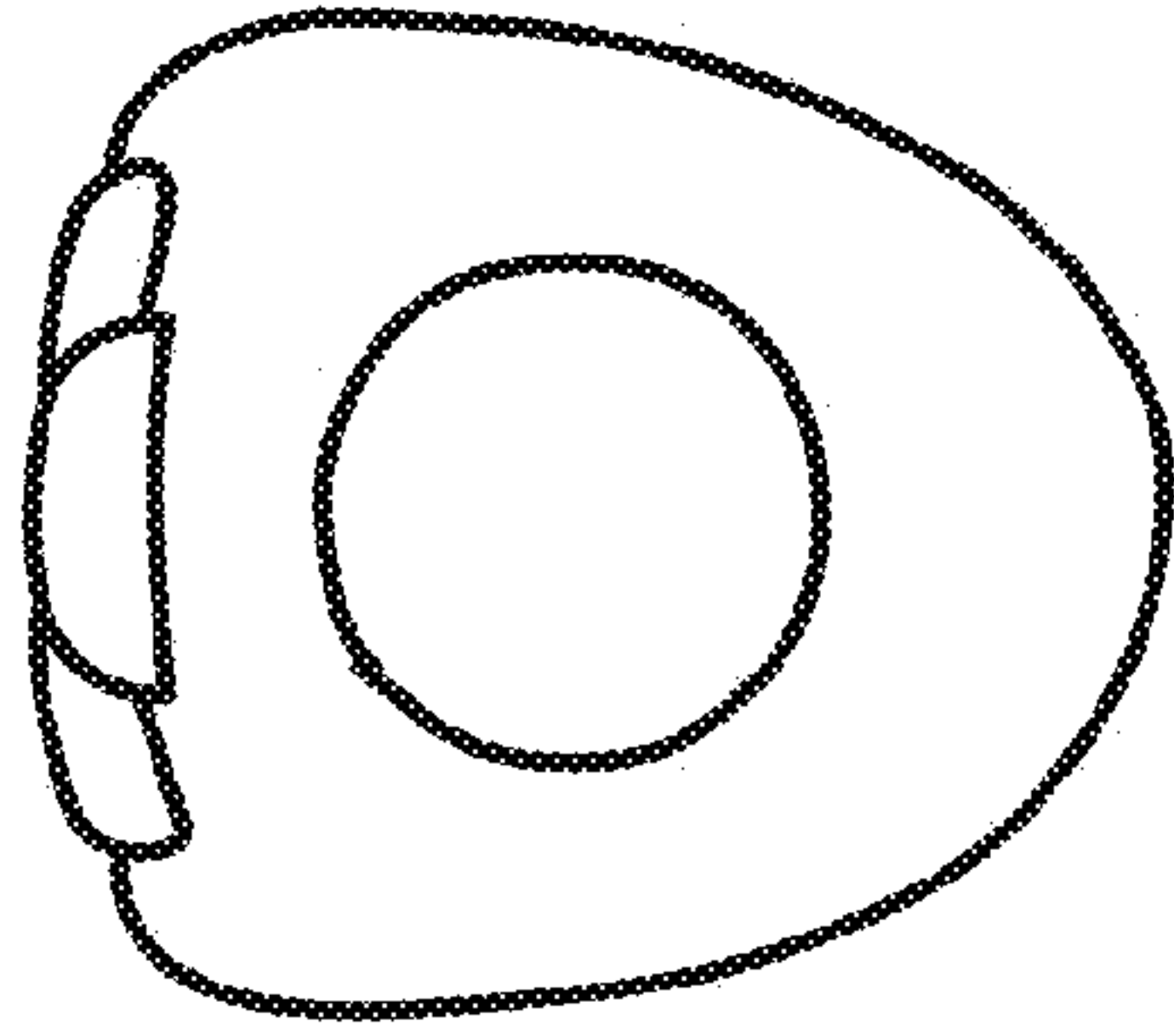


FIG. 3

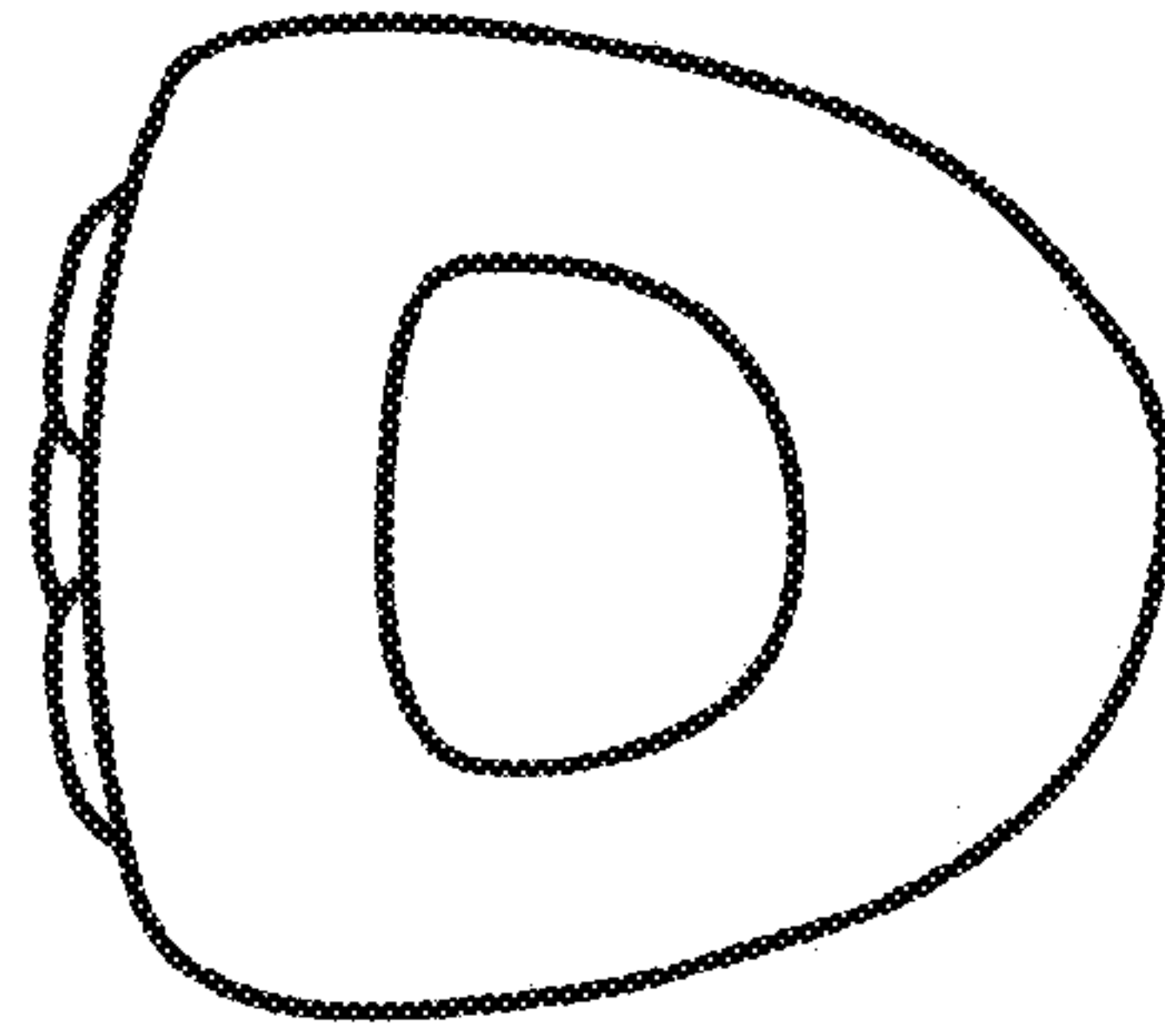


FIG. 4

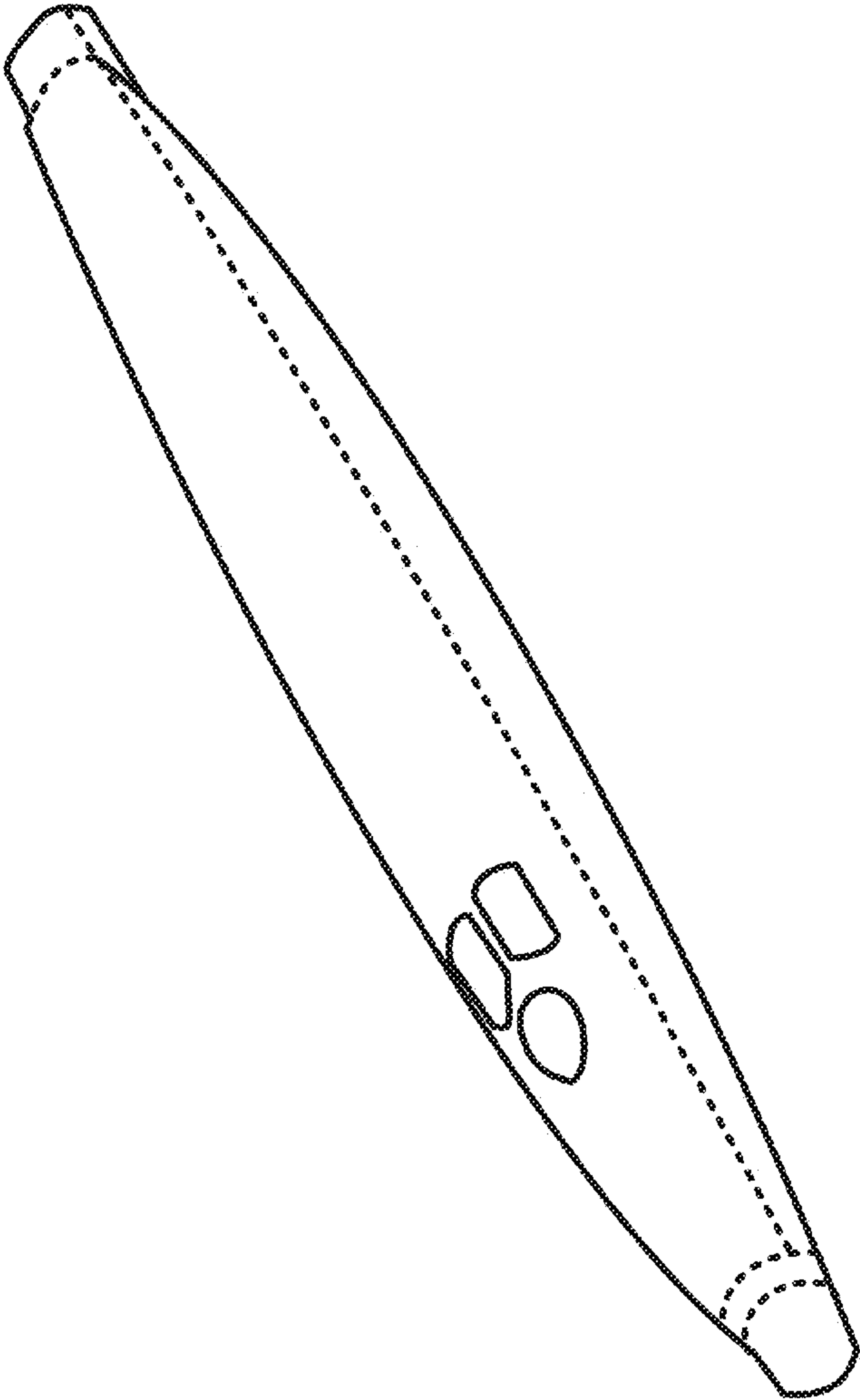


FIG. 7