



US00D719158S

(12) **United States Design Patent**
Akana et al.

(10) **Patent No.:** **US D719,158 S**
(45) **Date of Patent:** **** Dec. 9, 2014**

(54) **ELECTRONIC DEVICE**

(71) Applicant: **Apple Inc.**, Cupertino, CA (US)
(72) Inventors: **Jody Akana**, San Francisco, CA (US);
Bartley K. Andre, Palo Alto, CA (US);
Jeremy Bataillou, San Francisco, CA (US);
Daniel J. Coster, San Francisco, CA (US);
Daniele De Iuliis, San Francisco, CA (US);
M. Evans Hankey, San Francisco, CA (US);
Richard P. Howarth, San Francisco, CA (US);
Jonathan P. Ive, San Francisco, CA (US);
Duncan Robert Kerr, San Francisco, CA (US);
Shin Nishibori, Kailua, HI (US);
Matthew Dean Rohrbach, San Francisco, CA (US);
Peter Russell-Clarke, San Francisco, CA (US);
Christopher J. Stringer, Woodside, CA (US);
Eugene Antony Whang, San Francisco, CA (US);
Rico Zörkendörfer, San Francisco, CA (US)

(73) Assignee: **Apple Inc.**, Cupertino, CA (US)

(**) Term: **14 Years**

(21) Appl. No.: **29/455,075**

(22) Filed: **May 16, 2013**

Related U.S. Application Data

(63) Continuation of application No. 29/415,799, filed on Mar. 14, 2012, now Pat. No. Des. 684,572, which is a continuation of application No. 29/363,951, filed on Jun. 16, 2010, now Pat. No. Des. 658,646.

(51) **LOC (10) Cl.** **14-02**

(52) **U.S. Cl.**
USPC **D14/374**

(58) **Field of Classification Search**
USPC D14/371–376, 125–129, 336, 337;
248/917–924, 371, 121, 176.1, 278.1;
341/12; 345/104, 156, 173, 174,
345/901–905; 348/180, 184, 352, 739;
349/1, 2, 11, 62; 361/679.06–679.08,
361/679.21, 679.22

See application file for complete search history.

(56) **References Cited**

U.S. PATENT DOCUMENTS

D454,352 S 3/2002 Love et al.
6,837,469 B2 1/2005 Wu et al.

(Continued)

OTHER PUBLICATIONS

U.S. Appl. No. 29/455,071 entitled “Electronic Device”, filed May 16, 2013.

(Continued)

Primary Examiner — Freda S Nunn

(74) *Attorney, Agent, or Firm* — Saidman DesignLaw Group, LLC

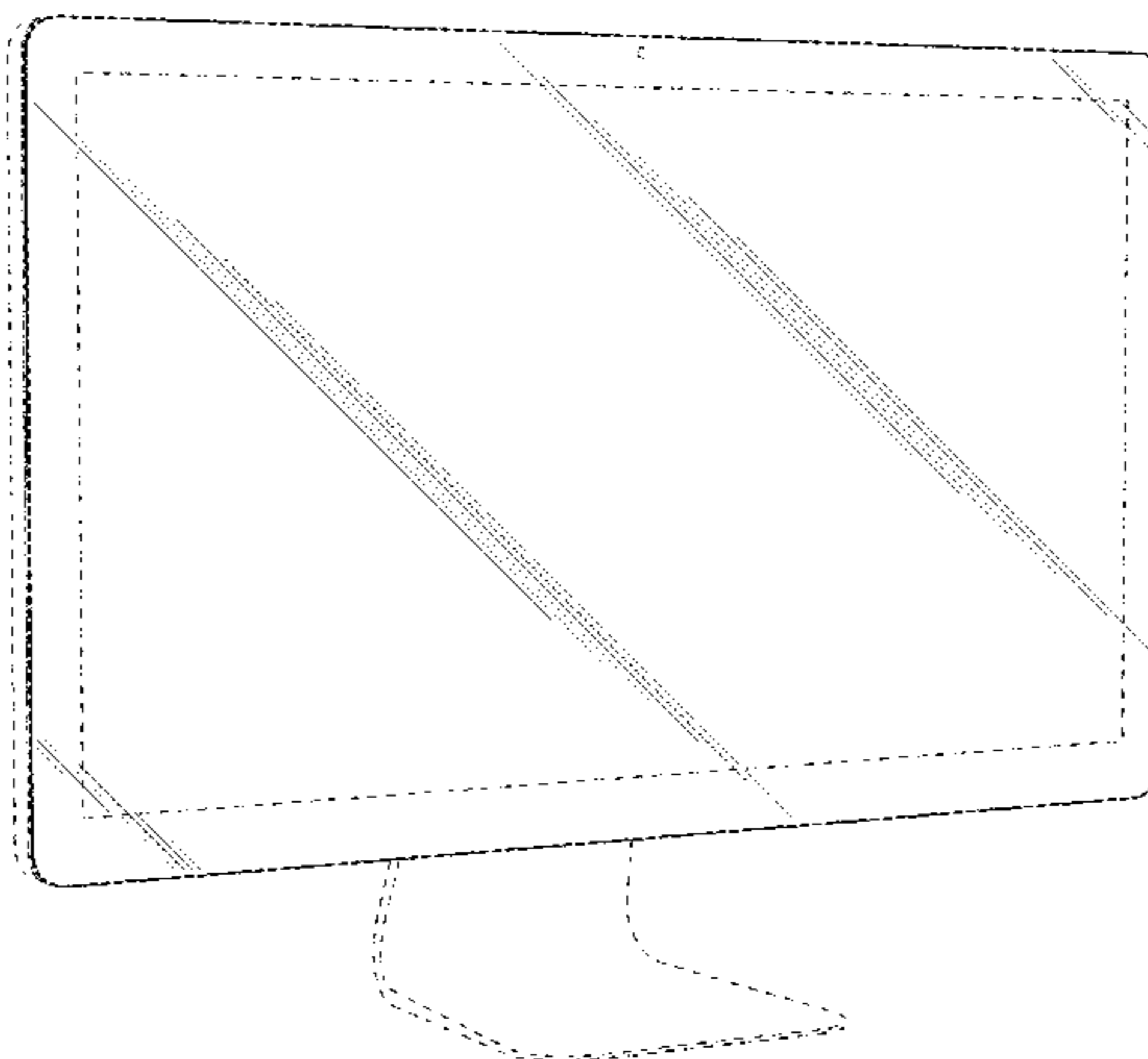
(57) **CLAIM**

The ornamental design for an electronic device, as shown and described.

DESCRIPTION

FIG. 1 is a front perspective view of an electronic device showing our new design;
FIG. 2 is a front view thereof;
FIG. 3 is a left side view thereof;
FIG. 4 is a right view thereof;
FIG. 5 is a top view thereof;
FIG. 6 is a bottom view thereof;
FIG. 7 is a rear view thereof;
FIG. 8 is a rear perspective view thereof;
FIG. 9 is a bottom view shown with the stand removed; and,
FIG. 10 is a sectional view taken along line 10-10 of FIG. 3.
The dashed broken lines illustrate environmental structure and form no part of the claimed design.
The dot-dash broken lines represent an unclaimed boundary and form no part of the claimed design.
The closely spaced parallel diagonal shade lines indicate translucency.

1 Claim, 8 Drawing Sheets



(56)

References Cited

U.S. PATENT DOCUMENTS

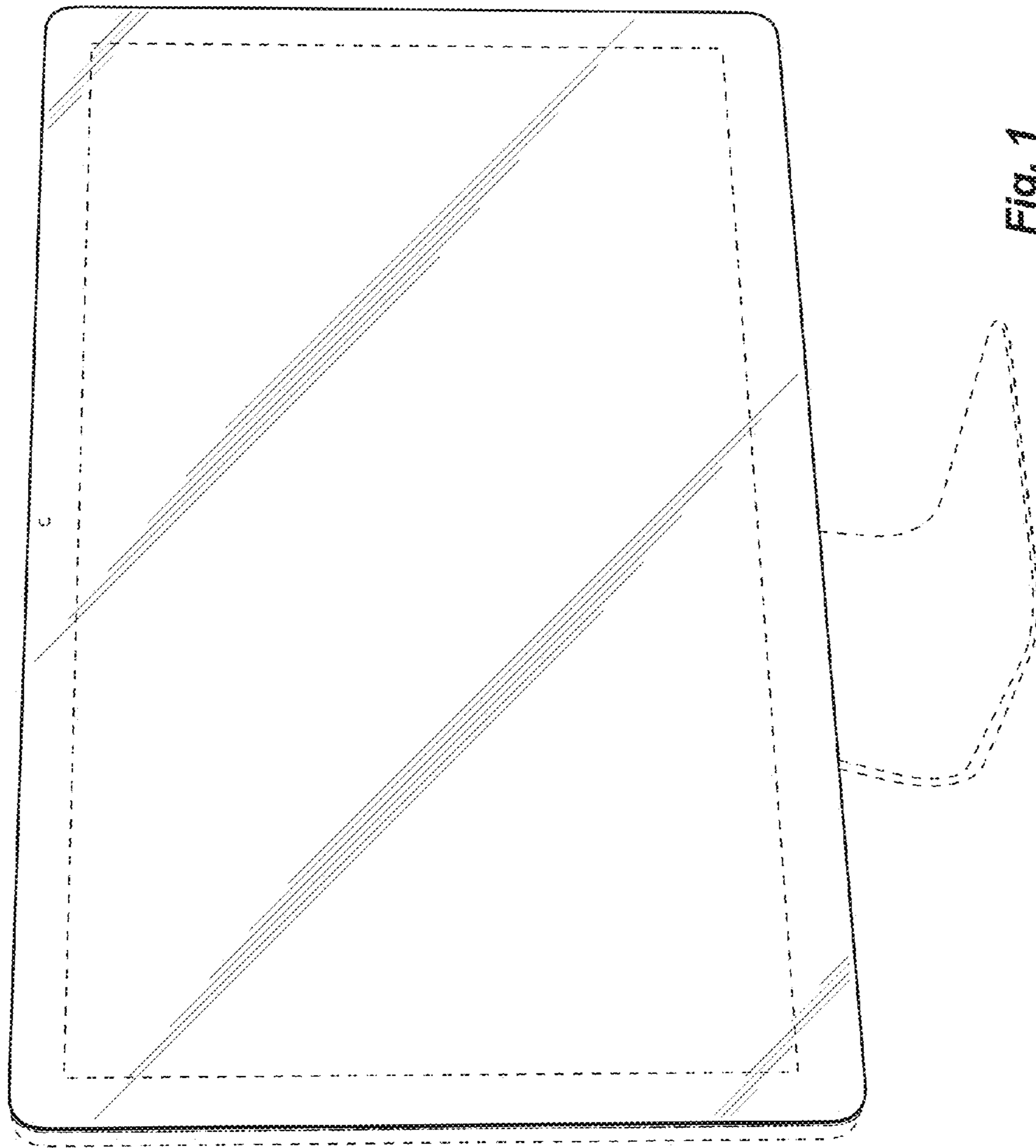
D504,889 S 5/2005 Andre et al.
D520,006 S 5/2006 Chen et al.
D521,996 S 5/2006 Kim et al.
D537,079 S 2/2007 Park et al.
D541,799 S 5/2007 Andre et al.
7,232,098 B2 6/2007 Rawlings et al.
D545,820 S 7/2007 Won et al.
D548,708 S 8/2007 Park et al.
D584,258 S 1/2009 Yang et al.
D598,446 S 8/2009 Pan et al.
D600,696 S 9/2009 Andre et al.
D604,292 S 11/2009 Andre et al.
D605,193 S 12/2009 Andre et al.
D609,658 S 2/2010 Kim et al.
D609,705 S 2/2010 Andre et al.
D610,138 S 2/2010 Andre et al.
D611,469 S 3/2010 Andre et al.

D618,241 S 6/2010 Akana et al.
D621,824 S 8/2010 Andre et al.
D621,841 S 8/2010 Andre et al.
D630,210 S 1/2011 Andre et al.
D651,602 S 1/2012 Andre et al.
D651,607 S 1/2012 Akana et al.
D656,501 S 3/2012 Andre et al.
D658,646 S 5/2012 Akana et al.
D661,305 S 6/2012 Andre et al.
D661,311 S 6/2012 Akana et al.
D684,572 S 6/2013 Akana et al.
D684,581 S 6/2013 Akana et al.
D691,606 S 10/2013 Andre et al.
D694,250 S 11/2013 Andre et al.
2003/0058372 A1 3/2003 Williams et al.
2008/0298002 A1* 12/2008 Liu et al. 361/681

OTHER PUBLICATIONS

U.S. Appl. No. 29/468,395 entitled "Computer", filed Feb. 21, 2012.

* cited by examiner



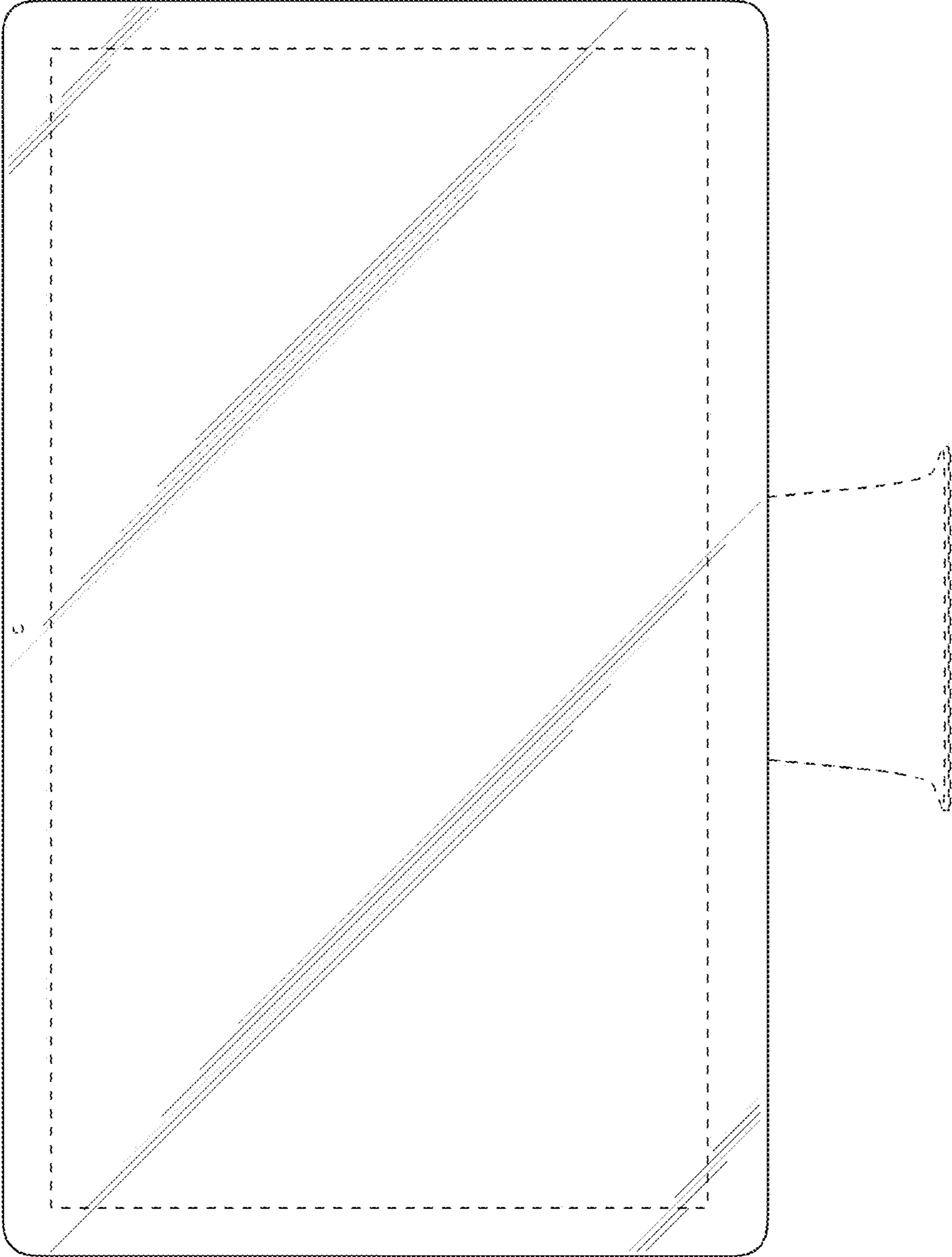


Fig. 2

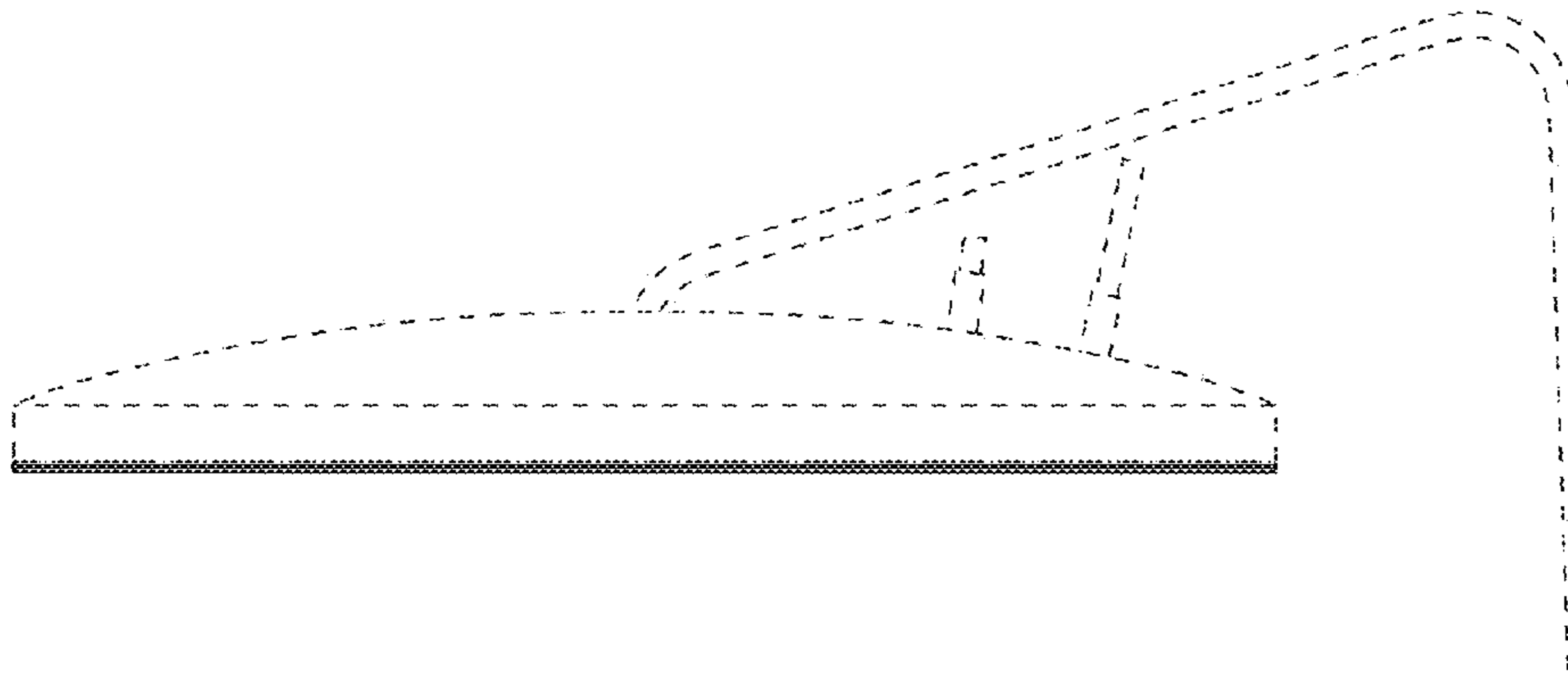


Fig. 4

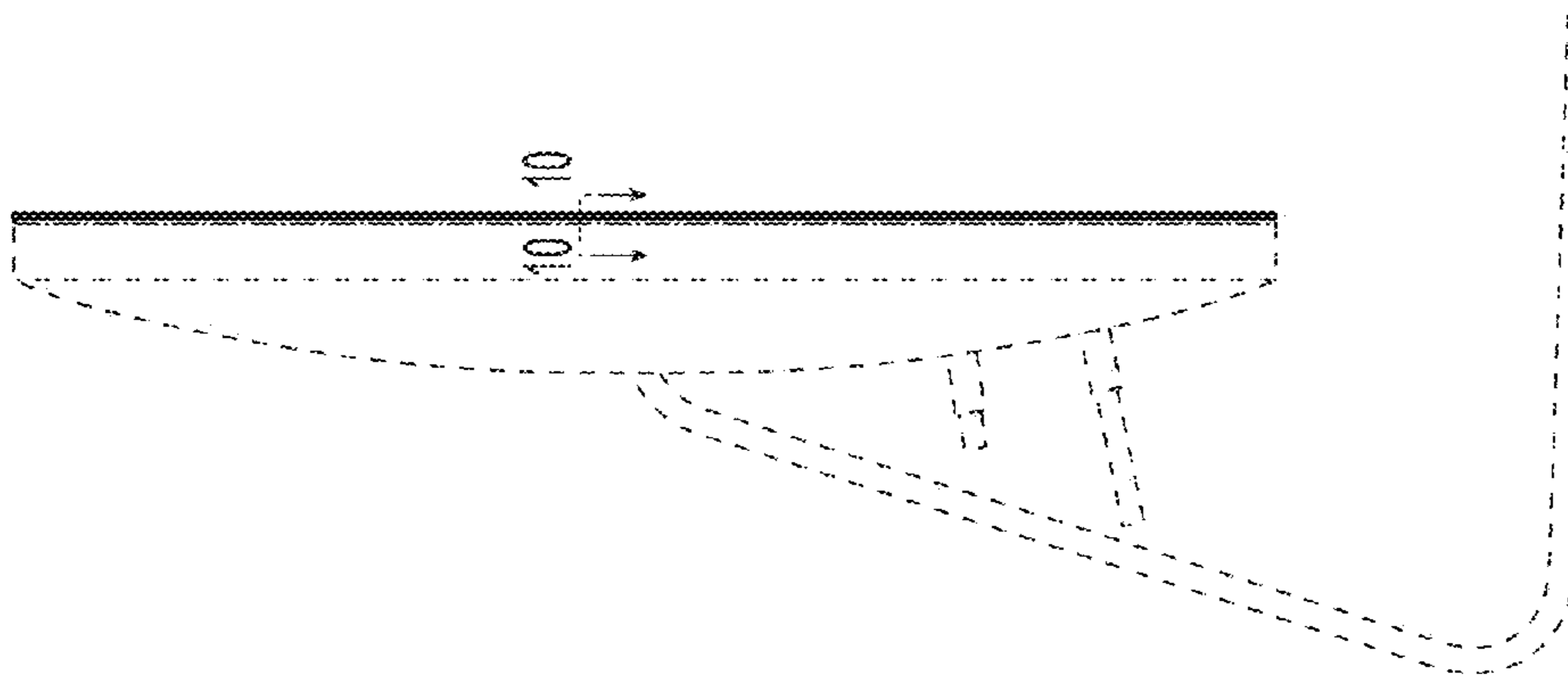


Fig. 3

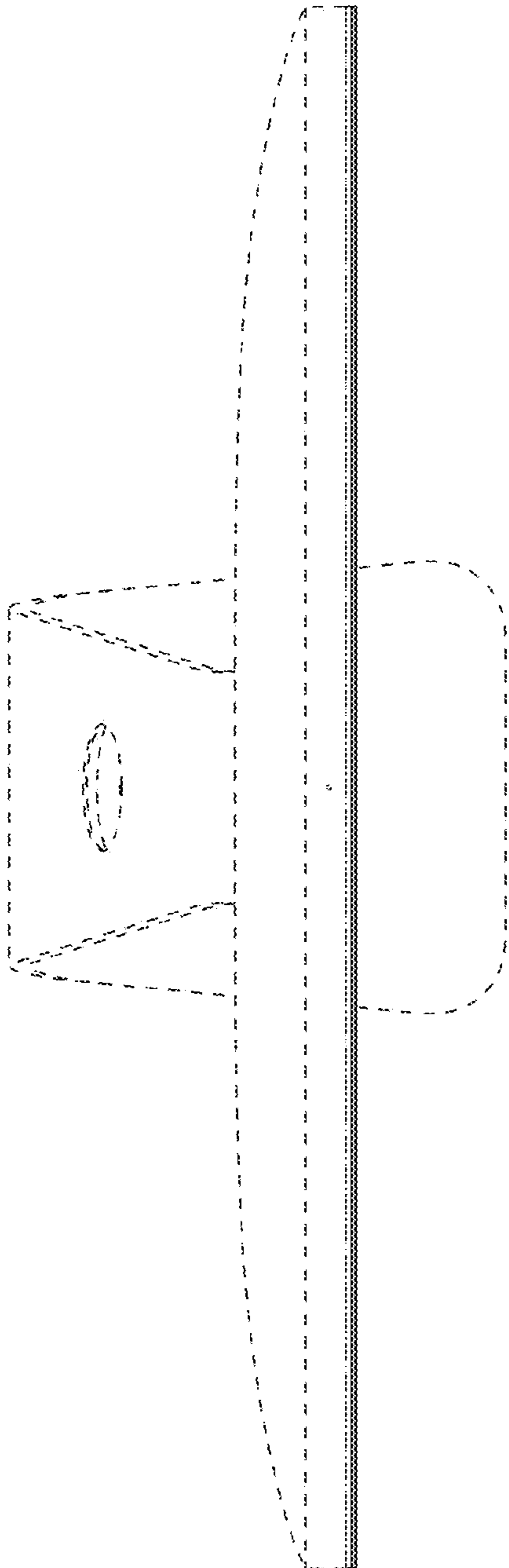


Fig. 5

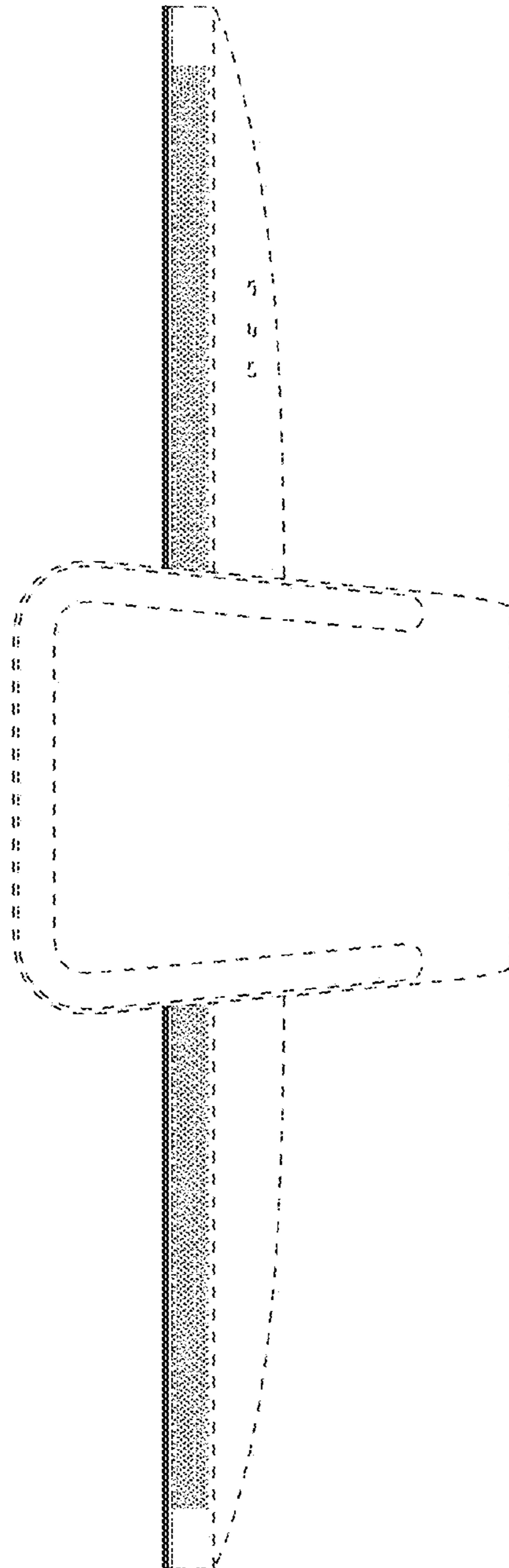


Fig. 6

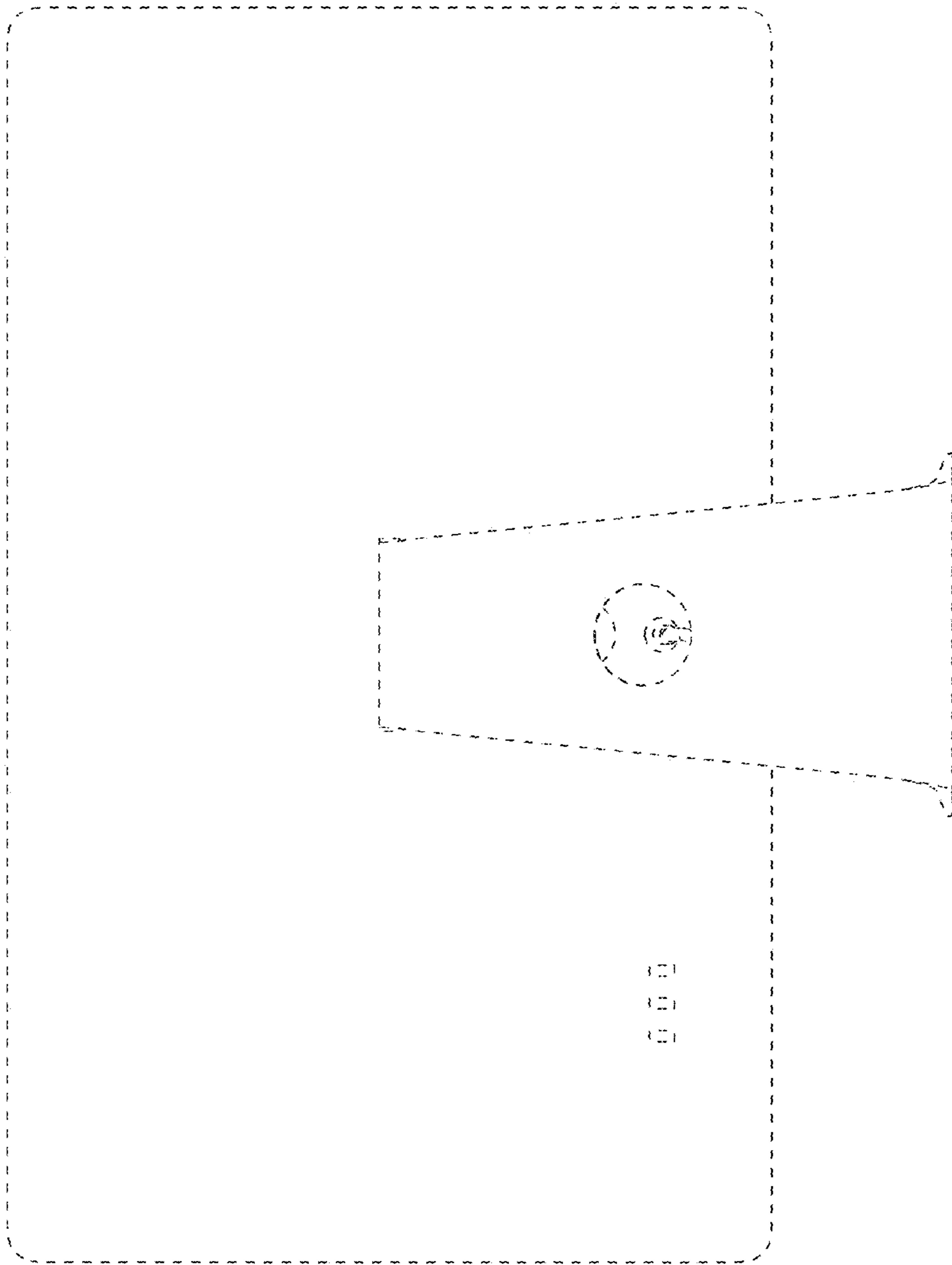


Fig. 7

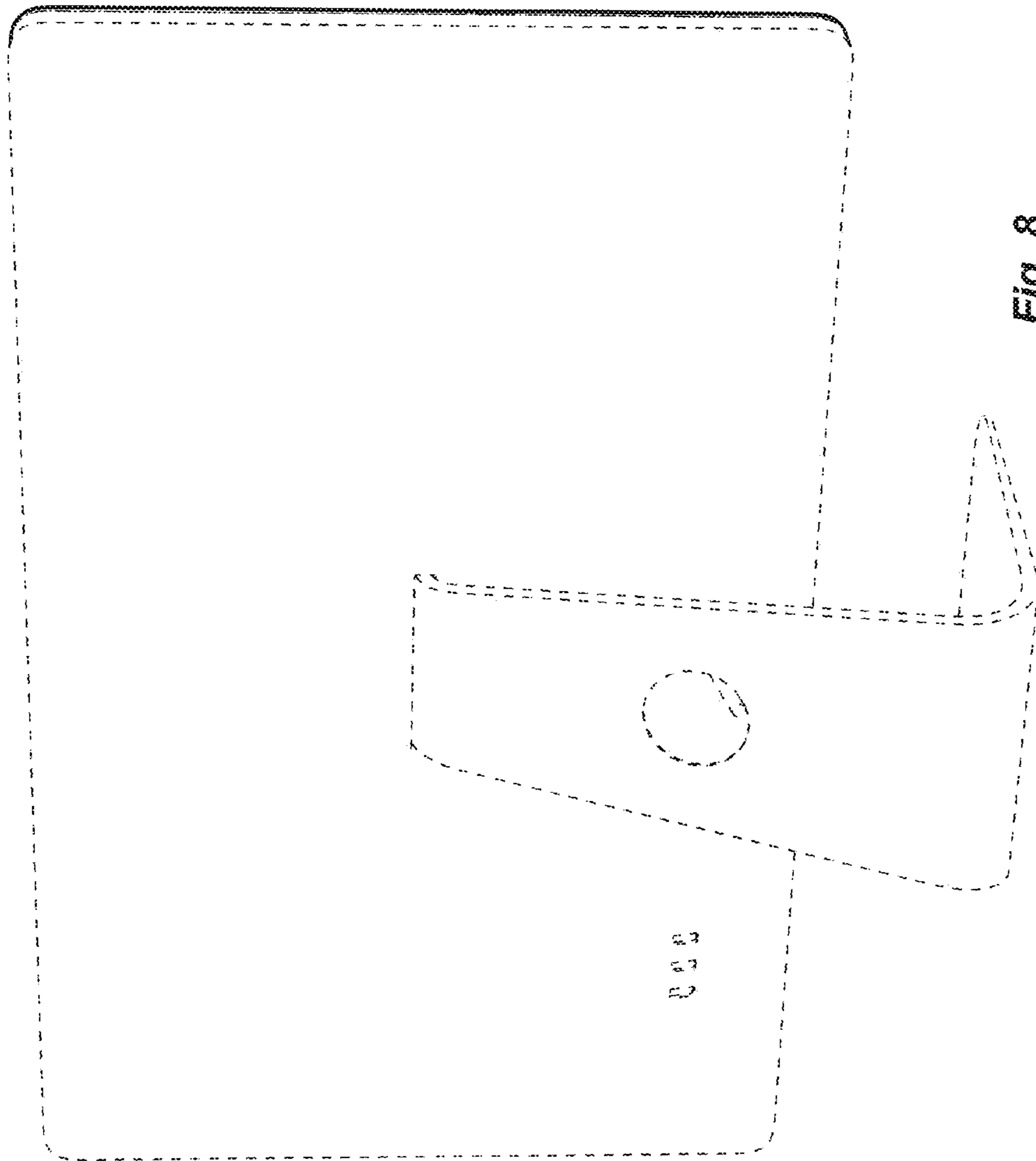


Fig. 8

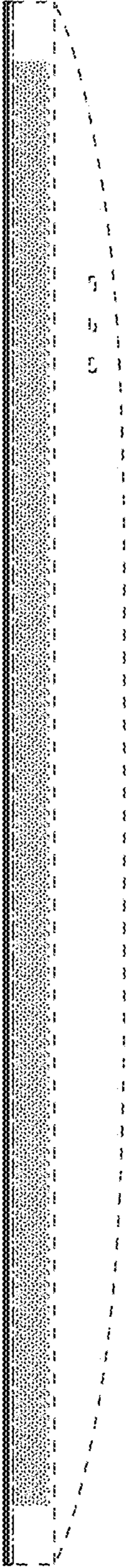


Fig. 9

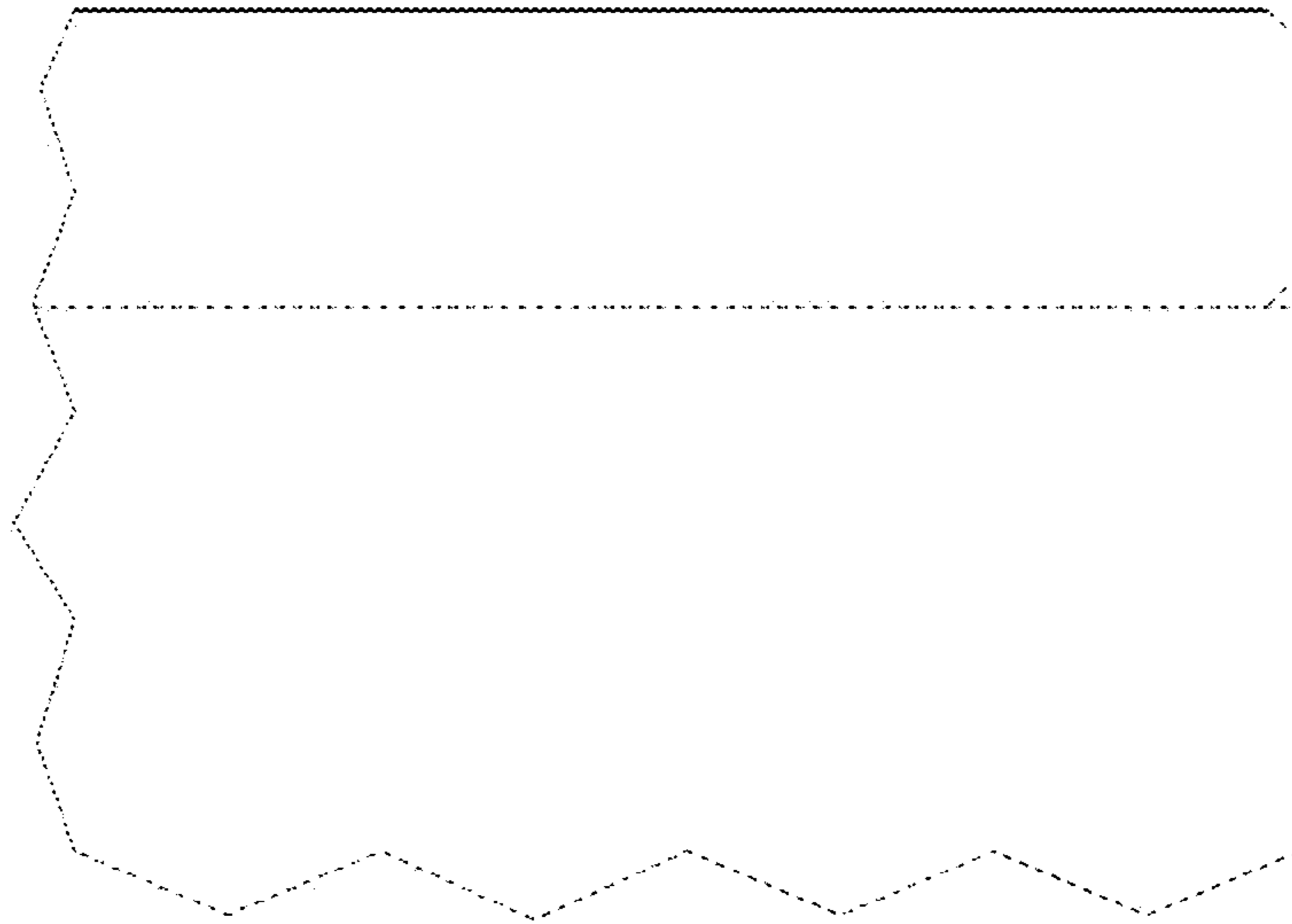


Fig. 10