



US00D719156S

(12) **United States Design Patent**
Lee et al.

(10) **Patent No.:** **US D719,156 S**
(45) **Date of Patent:** **** Dec. 9, 2014**

(54) **HEAD MOUNTED DISPLAY DEVICE**

(71) Applicant: **LG Electronics Inc.**, Seoul (KR)

(72) Inventors: **Hophil Lee**, Seoul (KR); **Eunseok Choi**, Seoul (KR); **Seungbeom Park**, Seoul (KR)

(73) Assignee: **LG Electronics Inc.**, Seoul (KR)

(**) Term: **14 Years**

(21) Appl. No.: **29/499,747**

(22) Filed: **Aug. 19, 2014**

(30) **Foreign Application Priority Data**

Feb. 21, 2014 (KR) 30-2014-0008948

(51) **LOC (10) Cl.** **14-02**

(52) **U.S. Cl.**
USPC **D14/372**

(58) **Field of Classification Search**
CPC G02B 27/017; G02B 27/0158; G02B 27/0161; G02B 27/0181; G02B 27/0185; G02B 27/0189
USPC D14/372, 496, 432, 371, 125, 126, 129, D14/299; D16/300-342; 351/158, 153, 144; 345/7-9, 905; 455/344; 348/115, 53, 348/121, 739
See application file for complete search history.

(56) **References Cited**

U.S. PATENT DOCUMENTS

D533,893	S	*	12/2006	Canavan et al.	D16/330
D659,739	S	*	5/2012	Olsson et al.	D16/300
D660,341	S	*	5/2012	Olsson et al.	D16/300
D662,964	S	*	7/2012	Olsson et al.	D16/300
D664,184	S	*	7/2012	Olsson et al.	D16/309
D664,586	S	*	7/2012	Olsson	D16/300
D665,008	S	*	8/2012	Olsson et al.	D16/309
D671,589	S	*	11/2012	Olsson	D16/300
D688,727	S	*	8/2013	Olsson	D16/300

D697,962	S	*	1/2014	Olsson	D16/300
D703,724	S	*	4/2014	Olsson	D16/300
D708,181	S	*	7/2014	Olsson et al.	D14/372
D711,373	S	*	8/2014	Lee et al.	D14/372
D713,406	S	*	9/2014	Pombo et al.	D14/372
2004/0113867	A1	*	6/2004	Tomine et al.	345/8
2005/0270477	A1	*	12/2005	Curci et al.	351/109

* cited by examiner

Primary Examiner — Austin Murphy

(74) *Attorney, Agent, or Firm* — Morgan, Lewis & Bockius LLP

(57) **CLAIM**

The ornamental design for a head mounted display device, as shown and described.

DESCRIPTION

FIG. 1 is a perspective view of a head mounted display device showing our new design;
 FIG. 2 is a front view thereof;
 FIG. 3 is a rear view thereof;
 FIG. 4 is a left side view thereof;
 FIG. 5 is a right side view thereof;
 FIG. 6 is a top plan thereof;
 FIG. 7 is a bottom plan view thereof;
 FIG. 8 is a side view thereof, showing the article in a position of use;
 FIG. 9 is a perspective view thereof, showing the display detached from the neckband;
 FIG. 10 is a side view thereof, showing the article in an alternative position of use;
 FIG. 11 is a side view thereof, showing the article in a position of use but with the display detached from the neckband;
 FIG. 12 is a top plan view thereof showing alternate positions of use in broken lines; and,
 FIG. 13 is a front view thereof but with a portion of the article shown as transparent.
 The broken lines show unclaimed subject matter only and form no part of the claimed design.

1 Claim, 13 Drawing Sheets

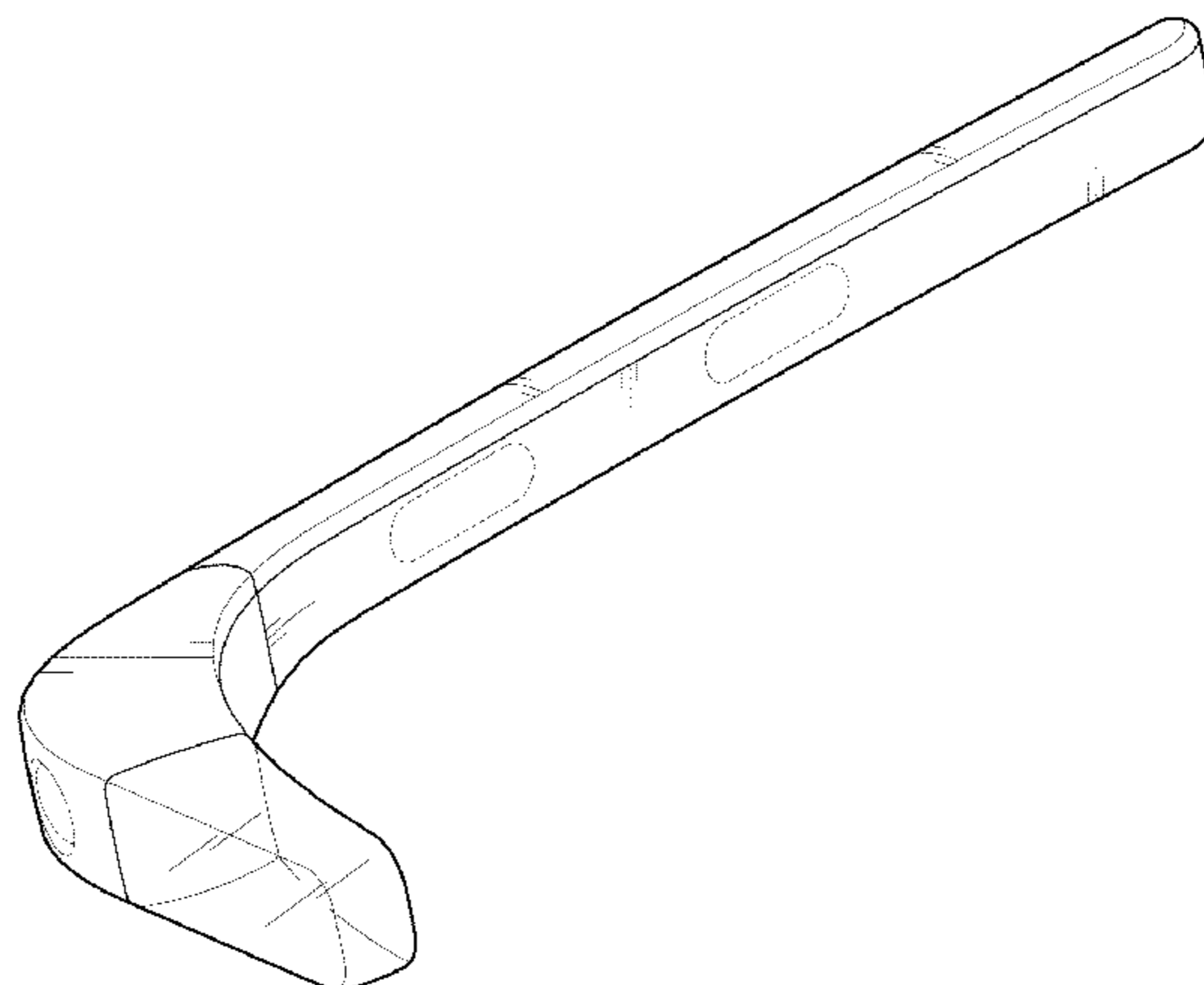


FIG. 1

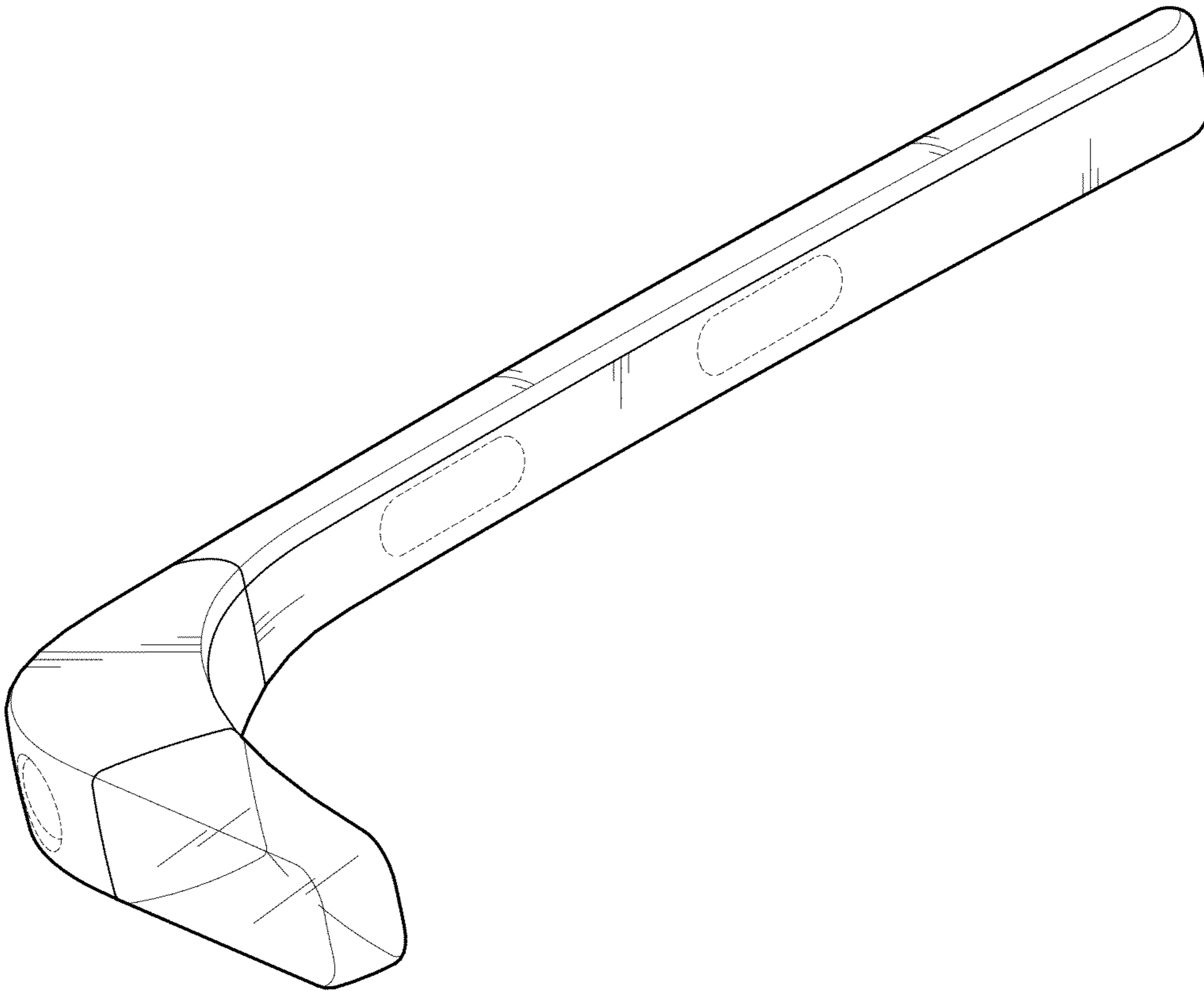


FIG. 2

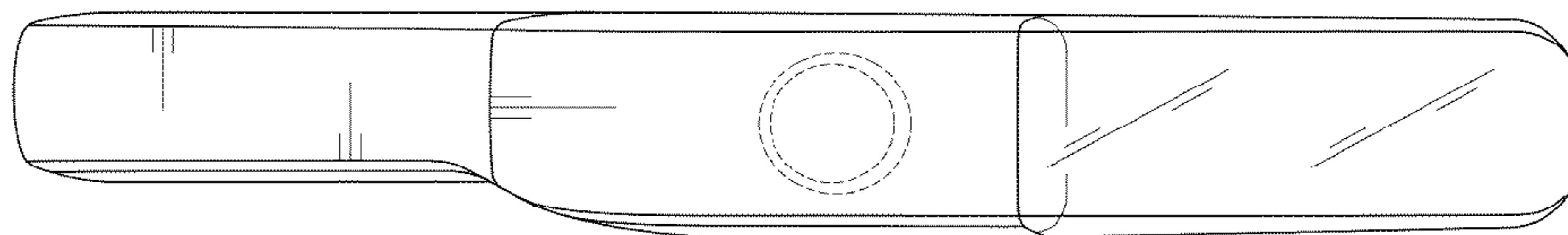


FIG. 3

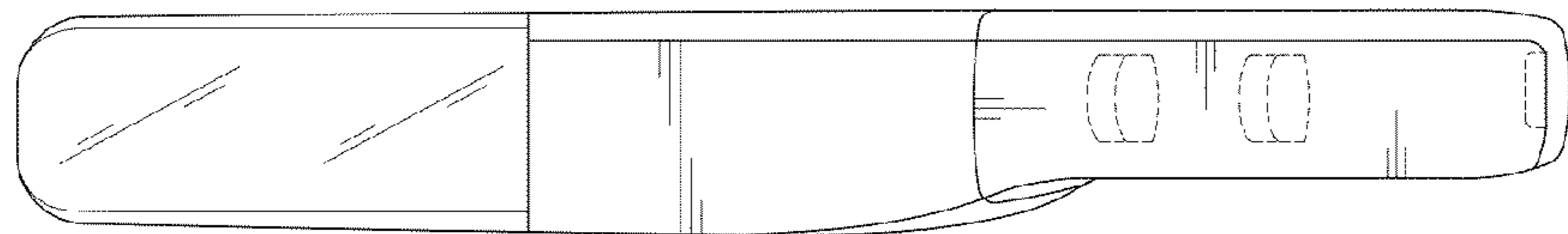


FIG. 4

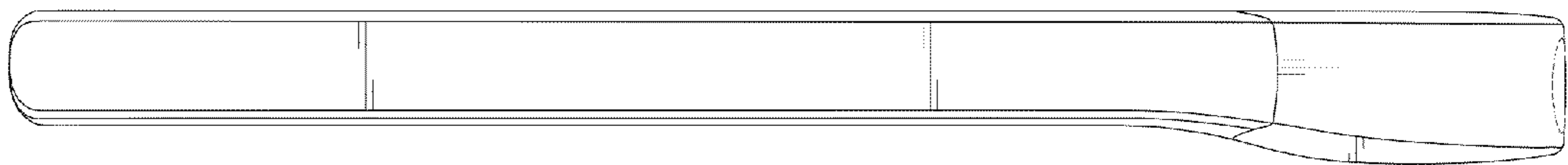


FIG. 5

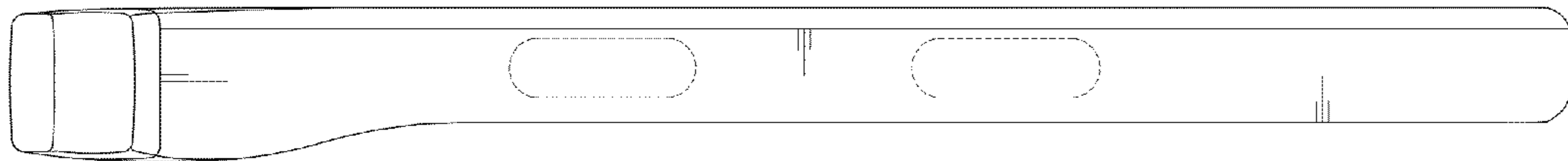


FIG. 6

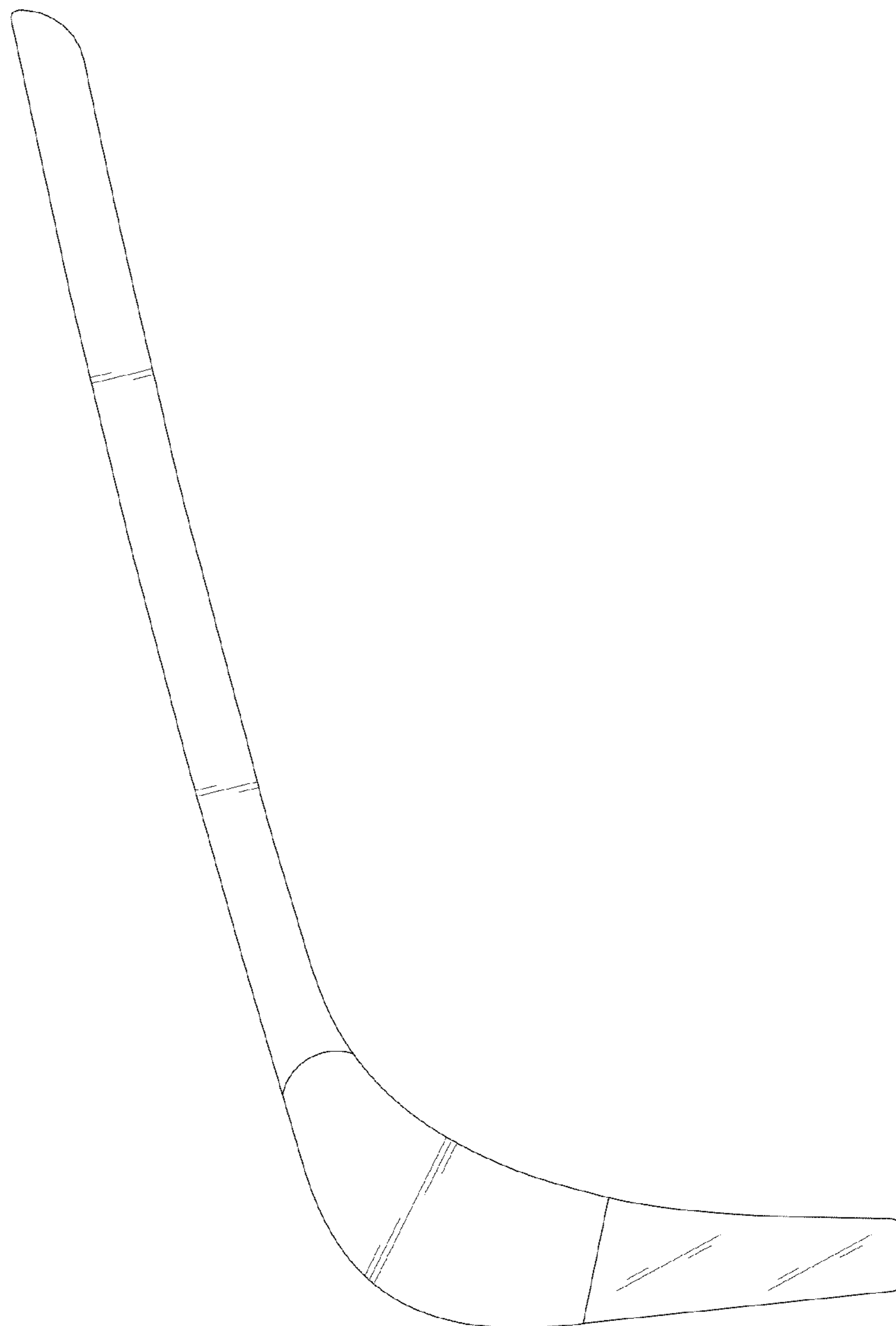


FIG. 7

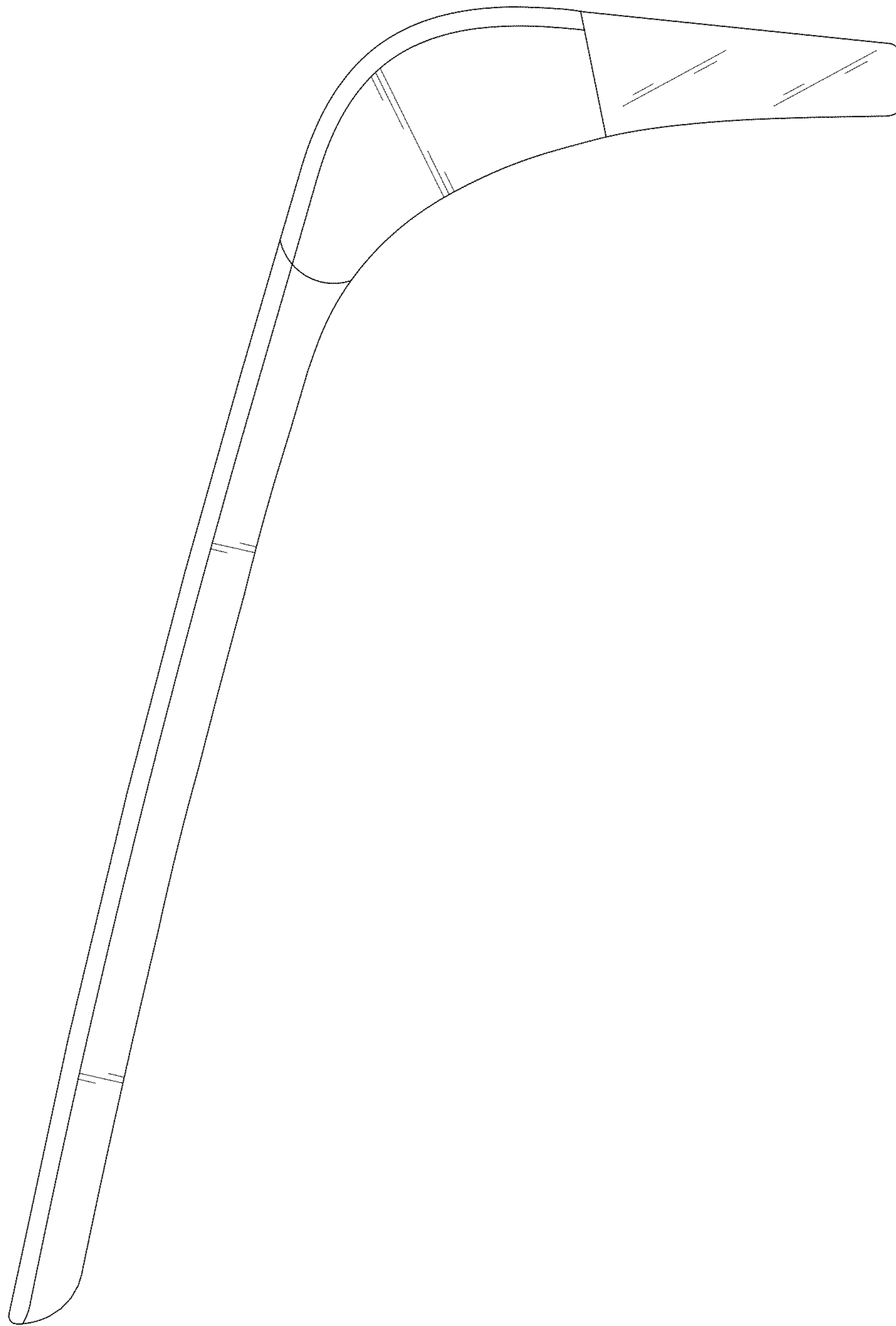


FIG. 8

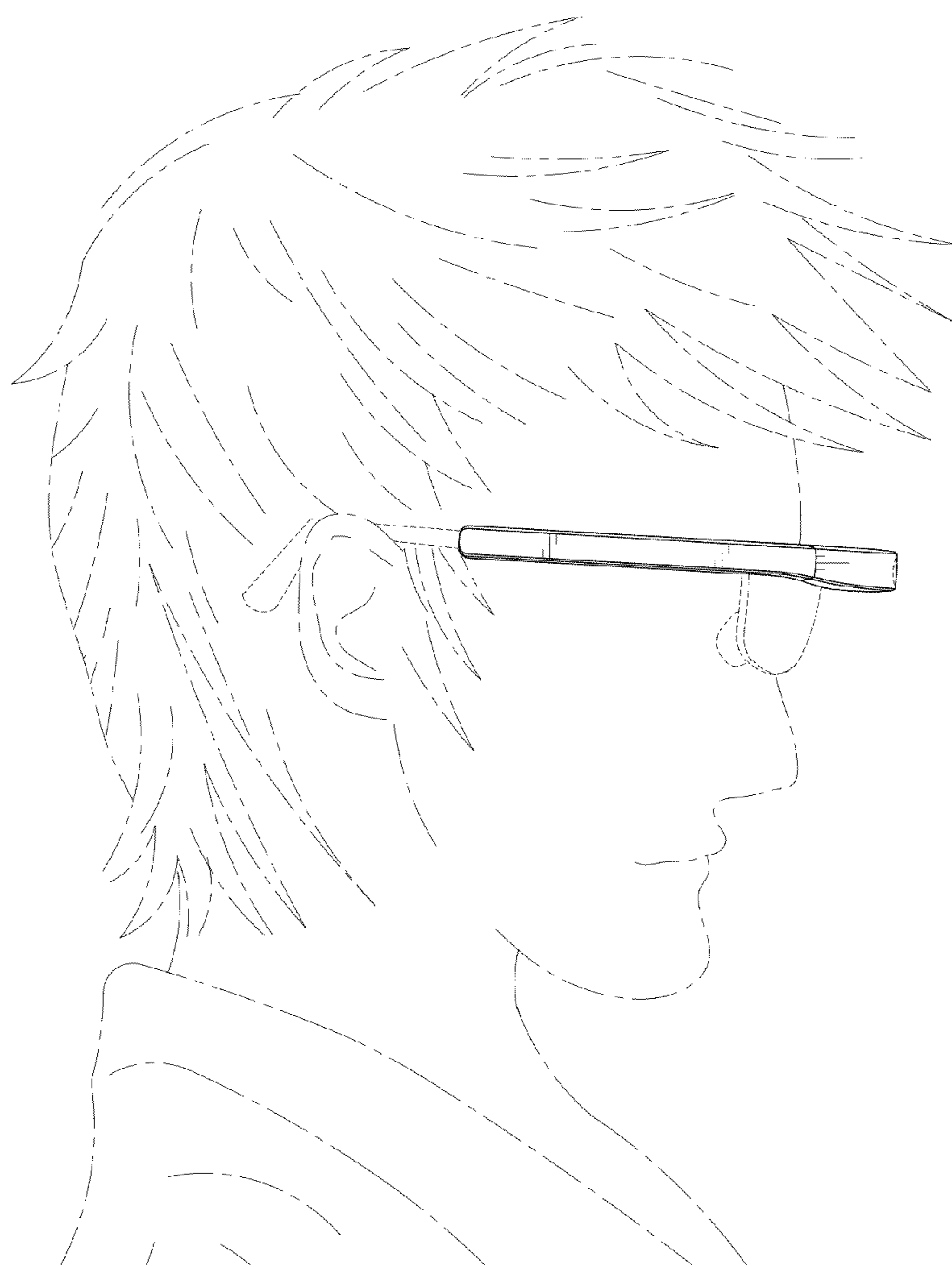


FIG. 9

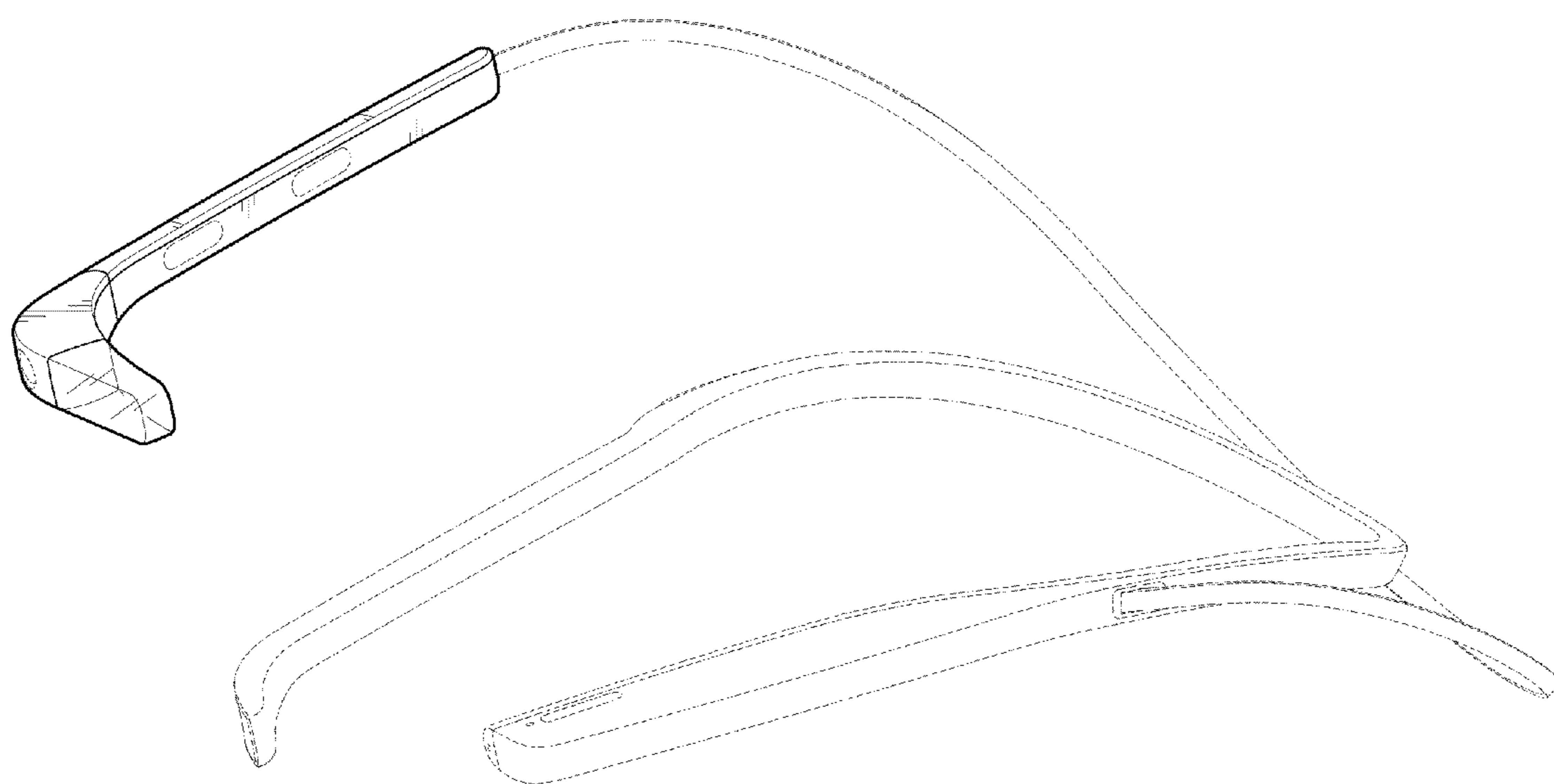


FIG. 10

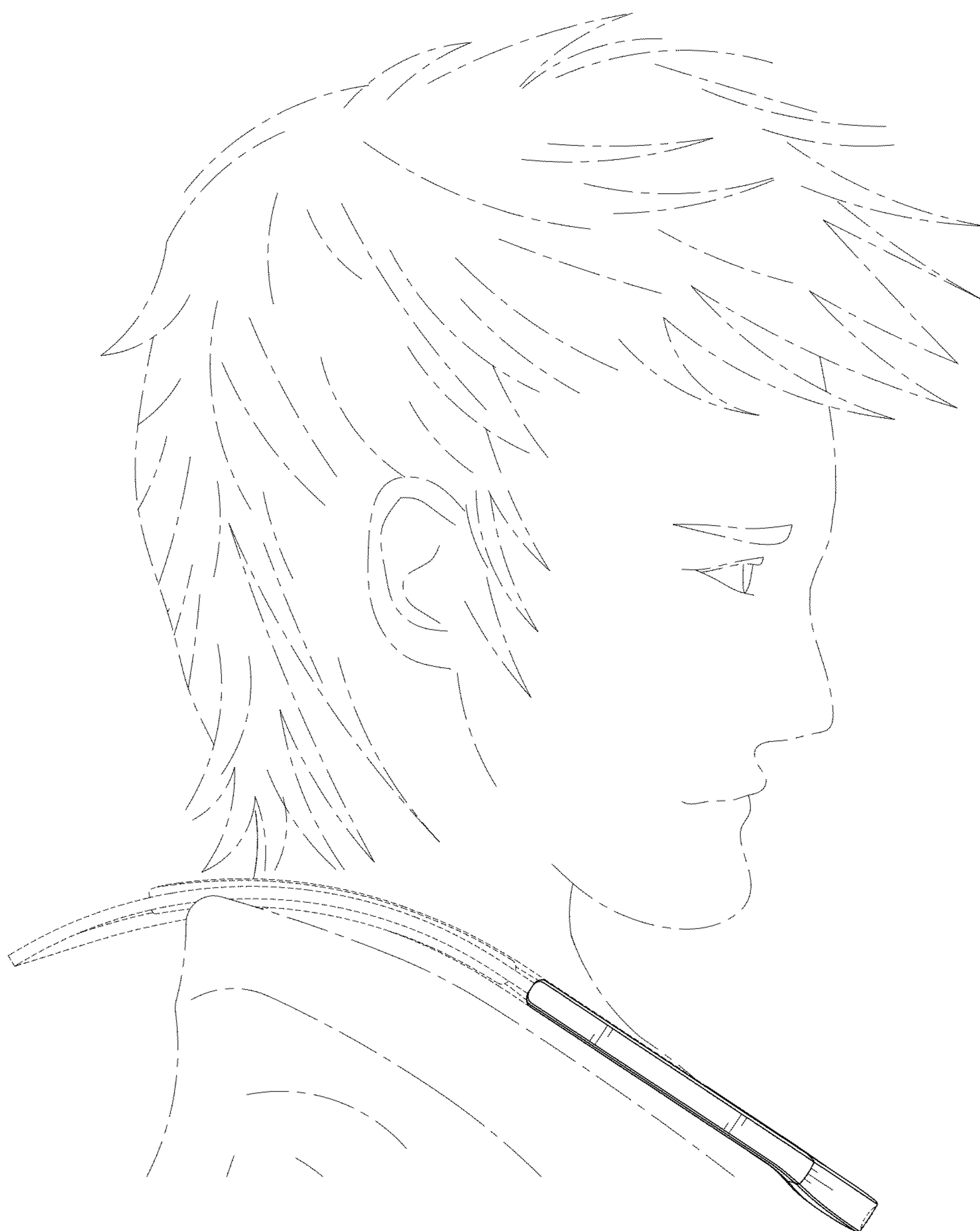


FIG. 11

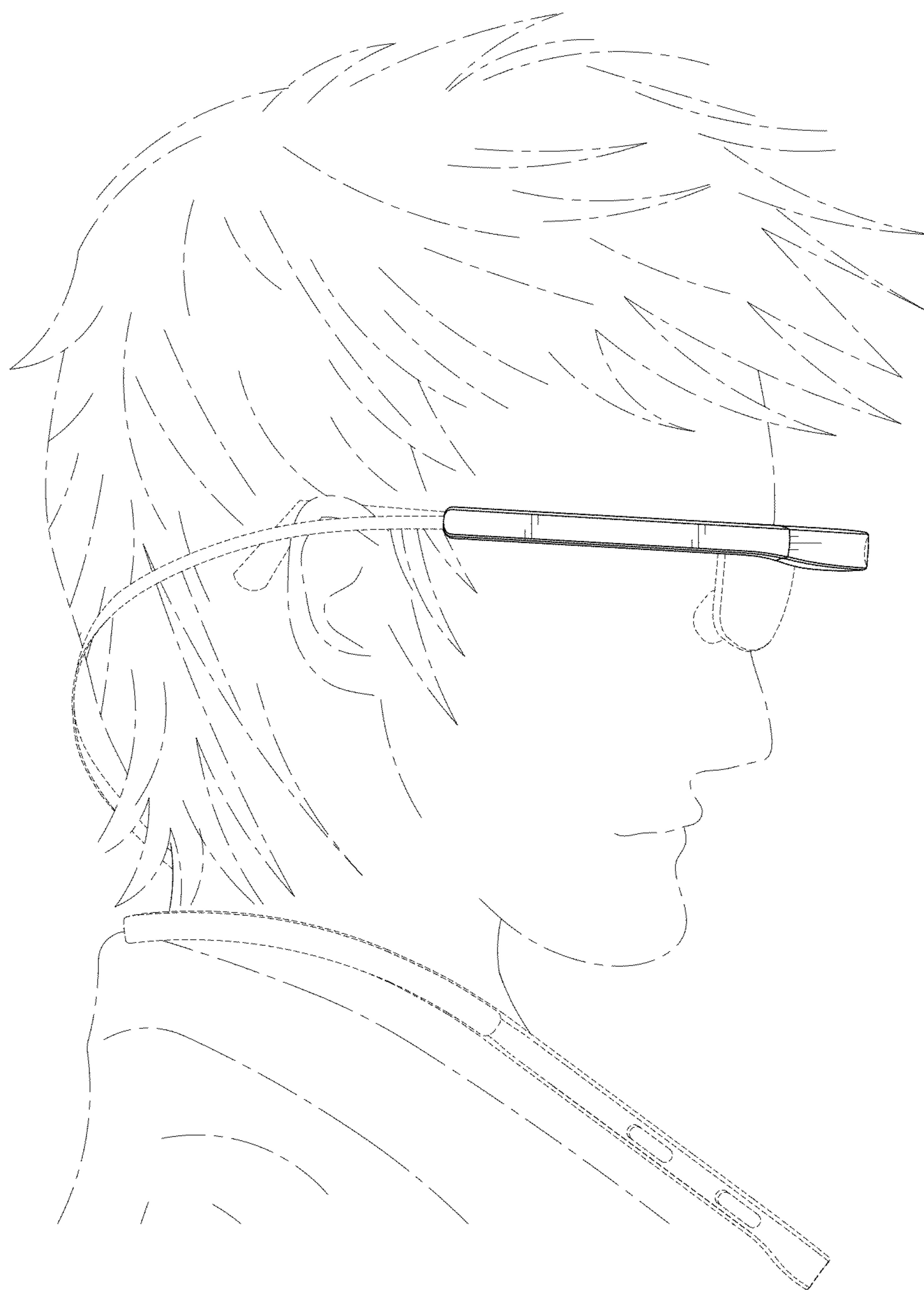


FIG. 12

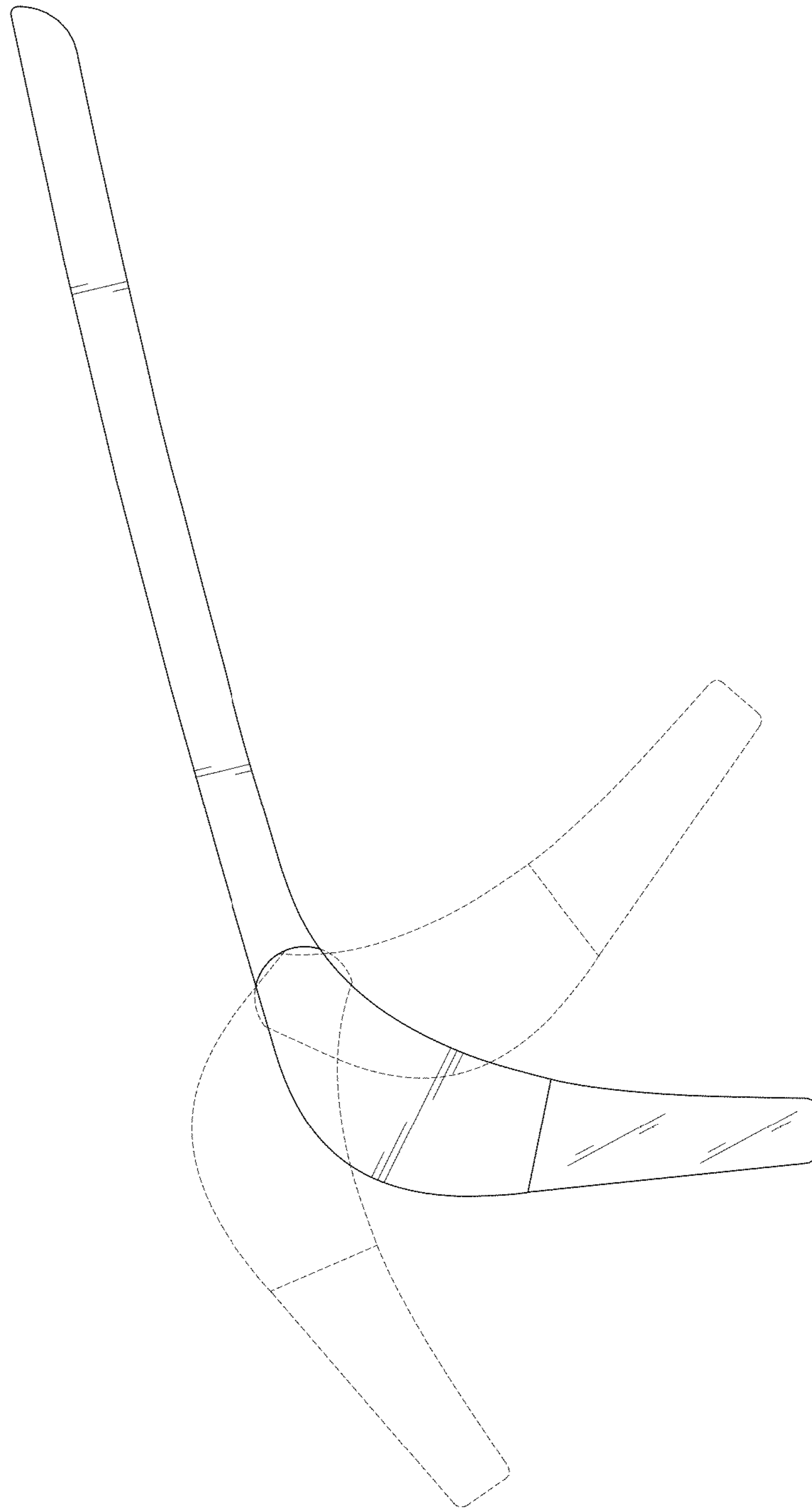


FIG. 13

