



US00D719152S

(12) **United States Design Patent**
Ahn et al.

(10) **Patent No.:** **US D719,152 S**
(45) **Date of Patent:** **** Dec. 9, 2014**

(54) **TABLET COMPUTER**

(71) Applicant: **Samsung Electronics, Ltd**, Suwon-Si (KR)

(72) Inventors: **Dae Kyung Ahn**, Namyangjusi (KR); **Chul-Yong Cho**, Seoul (KR); **Sangmin Hyun**, Seoul (KR); **Eun Vit Chung**, Seoul (KR)

(73) Assignee: **Samsung Electronics Co., Ltd.**, Suwon-si (KR)

(**) Term: **14 Years**

(21) Appl. No.: **29/472,070**

(22) Filed: **Nov. 8, 2013**

(30) **Foreign Application Priority Data**

May 10, 2013 (KR) 30-2013-0024838

(51) **LOC (10) Cl.** **14-02**

(52) **U.S. Cl.**
USPC **D14/345**

(58) **Field of Classification Search**
USPC D14/341-347, 336, 337, 371, 374, 138, D14/496; D10/65; 345/173, 901, 104, 133, 345/156, 168; 348/180, 184, 325, 739, 373, 348/376; 385/88; 710/62; 455/575.3, 575.1
See application file for complete search history.

(56) **References Cited**

U.S. PATENT DOCUMENTS

4,777,746 A * 10/1988 Brooks 40/773
7,299,580 B2 * 11/2007 Wang et al. 40/719
7,301,759 B2 * 11/2007 Hsiung 361/679.27
D572,025 S * 7/2008 Kwon D6/308

D591,518 S * 5/2009 Zhai et al. D6/308
D608,746 S * 1/2010 Tu D14/126
D609,018 S * 2/2010 Tzeng et al. D6/308
D613,076 S * 4/2010 Chyan et al. D6/308
D613,982 S * 4/2010 Wilson et al. D6/518
D615,306 S * 5/2010 Ji et al. D6/308
D619,134 S * 7/2010 Tsai et al. D14/371
D622,273 S * 8/2010 Hayton et al. D14/439
D629,216 S * 12/2010 Stoddard D6/308
D634,131 S * 3/2011 Utsunomiya D6/308
D650,380 S * 12/2011 Ballout D14/331
D656,502 S * 3/2012 Cacioppo et al. D14/453
D671,938 S * 12/2012 Hsu et al. D14/341
D683,398 S * 5/2013 Bratter et al. D19/1
D685,347 S * 7/2013 Szymanski et al. D14/214
D685,778 S * 7/2013 Fahrendorff et al. D14/250
D695,735 S * 12/2013 Kitchen et al. D14/341

* cited by examiner

Primary Examiner — Barbara Fox

(74) *Attorney, Agent, or Firm* — NSIP Law

(57) **CLAIM**

The ornamental design for a tablet computer, as shown and described.

DESCRIPTION

FIG. 1 is a front view of a tablet computer showing our new design;
FIG. 2 is a rear view thereof;
FIG. 3 is a left-side view thereof;
FIG. 4 is a right-side view thereof;
FIG. 5 is a top view thereof;
FIG. 6 is a bottom view thereof; and,
FIG. 7 is a rear perspective view in which a tablet computer is shown in an alternate position to illustrate an example environment.

The broken lines shown in the drawings represent portions of the tablet computer which form no part of the claimed design.

1 Claim, 7 Drawing Sheets

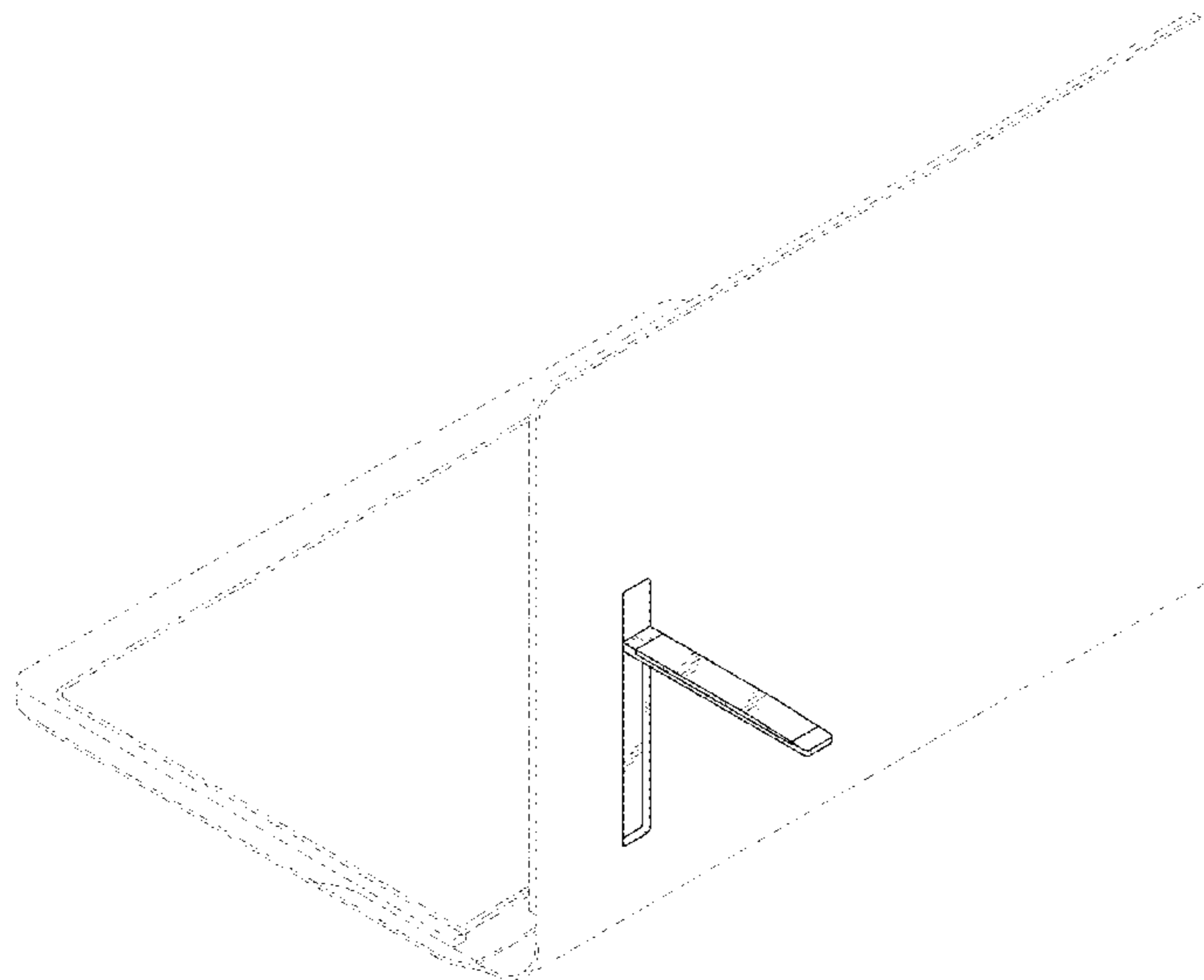


FIG. 1

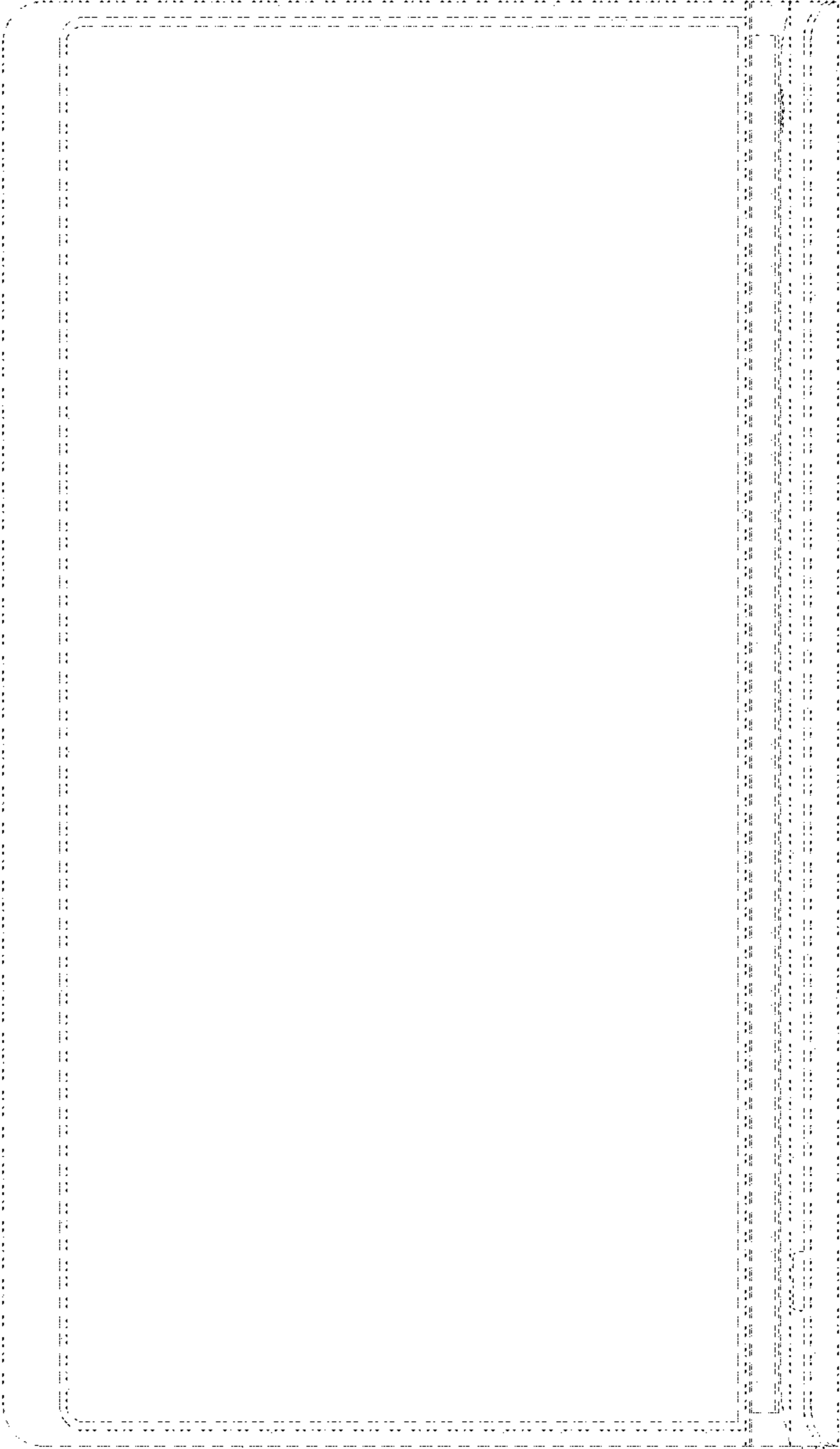


FIG. 2



FIG. 3

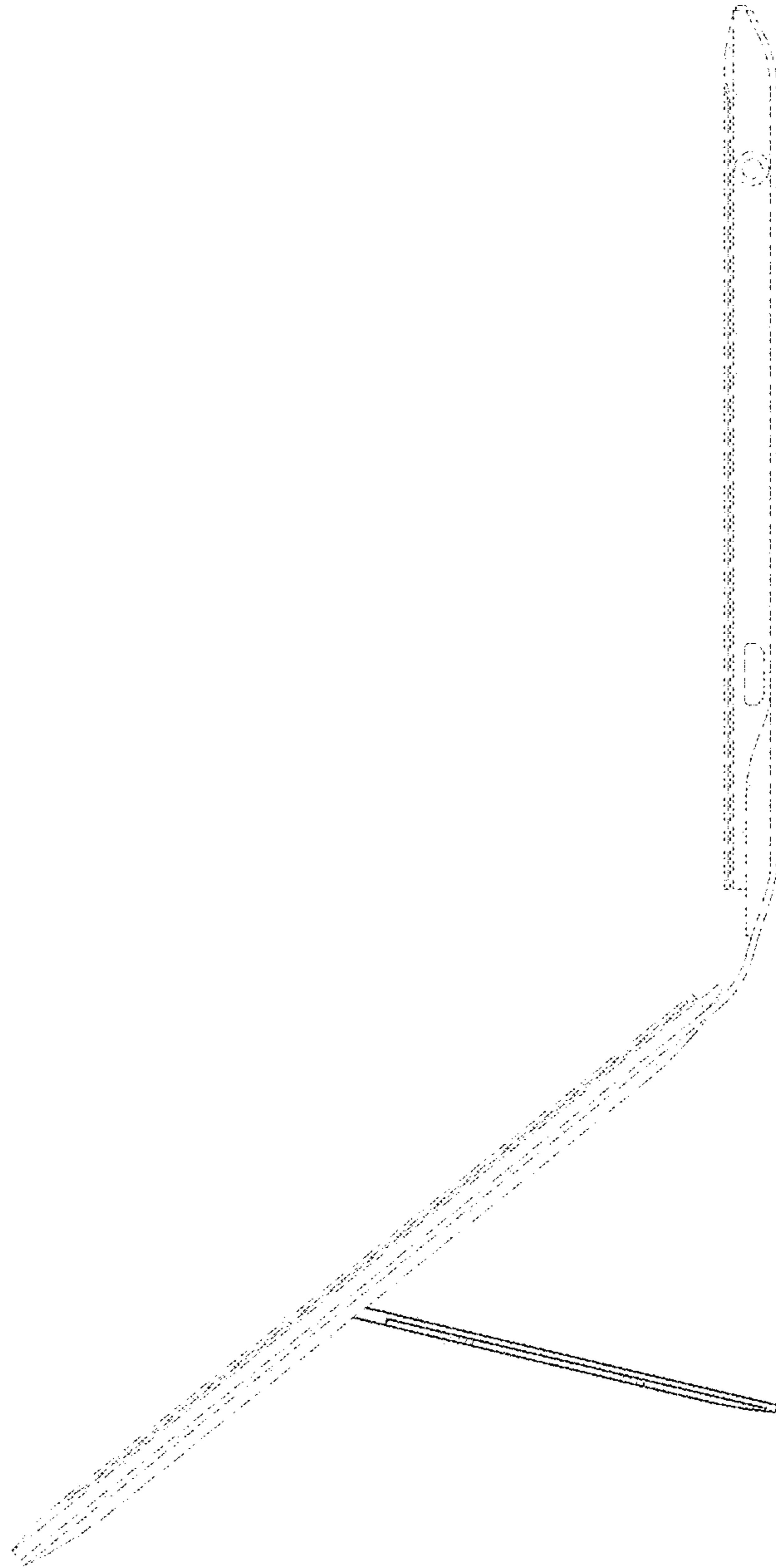


FIG. 4

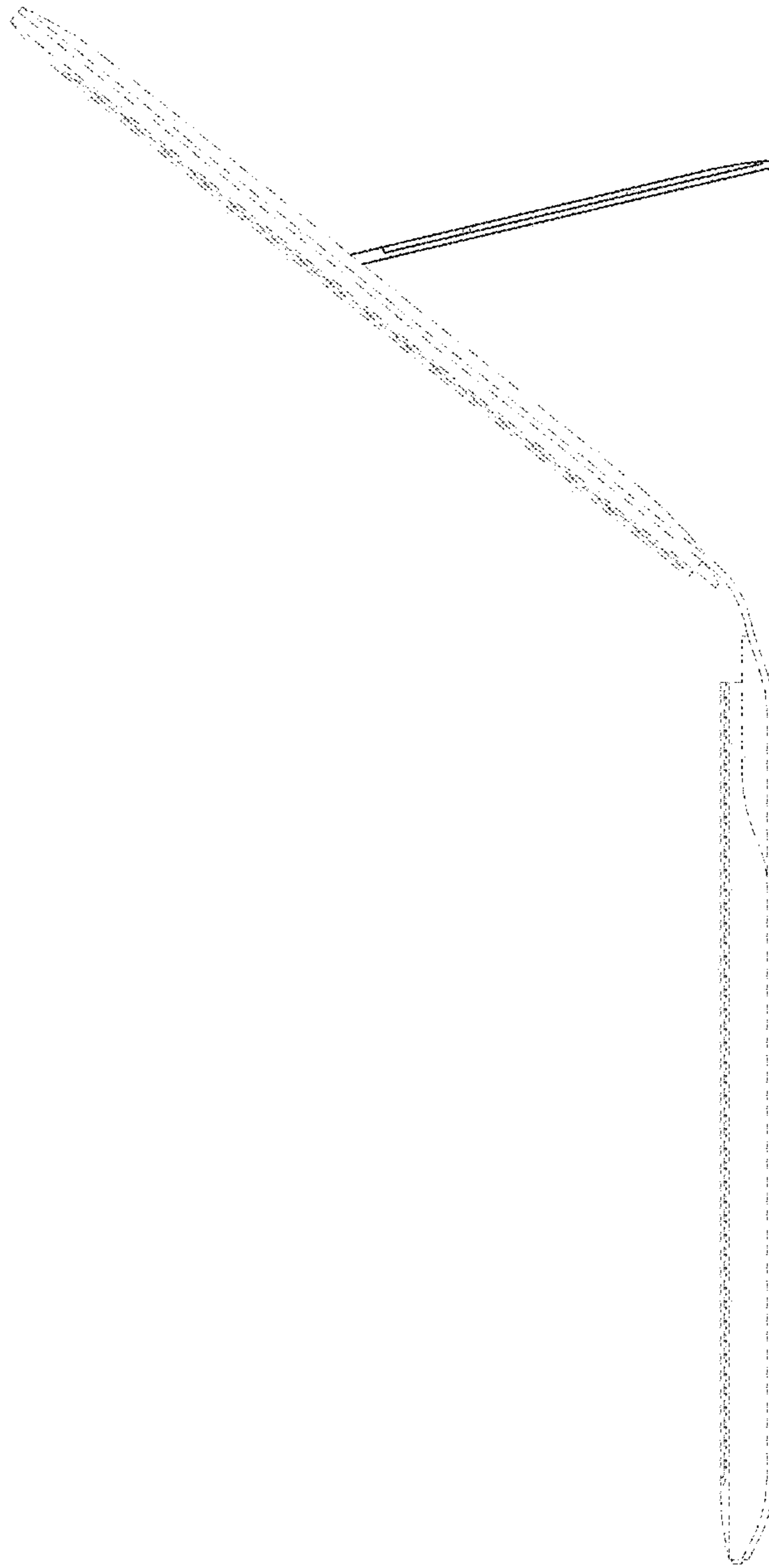


FIG. 5

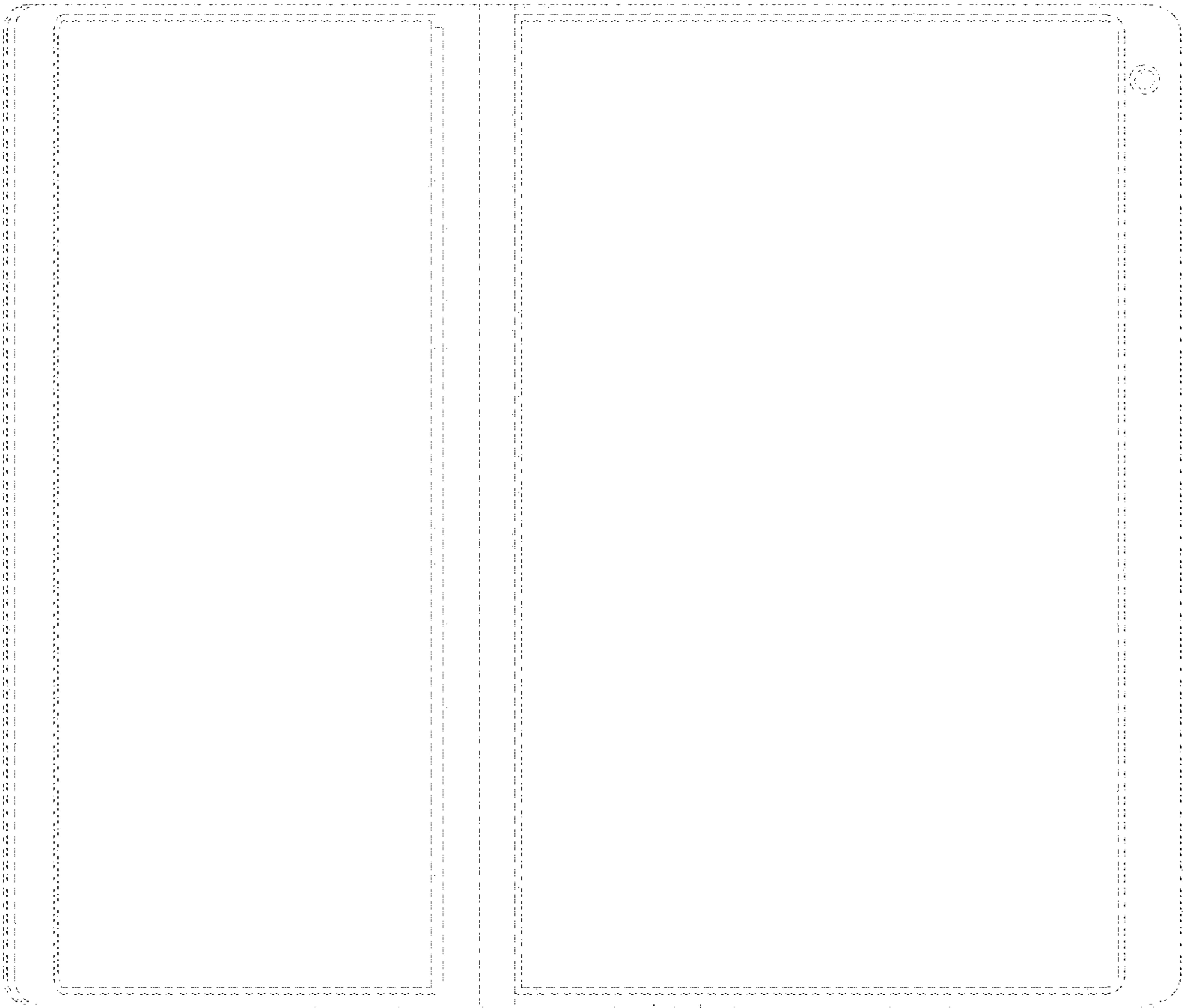


FIG. 6

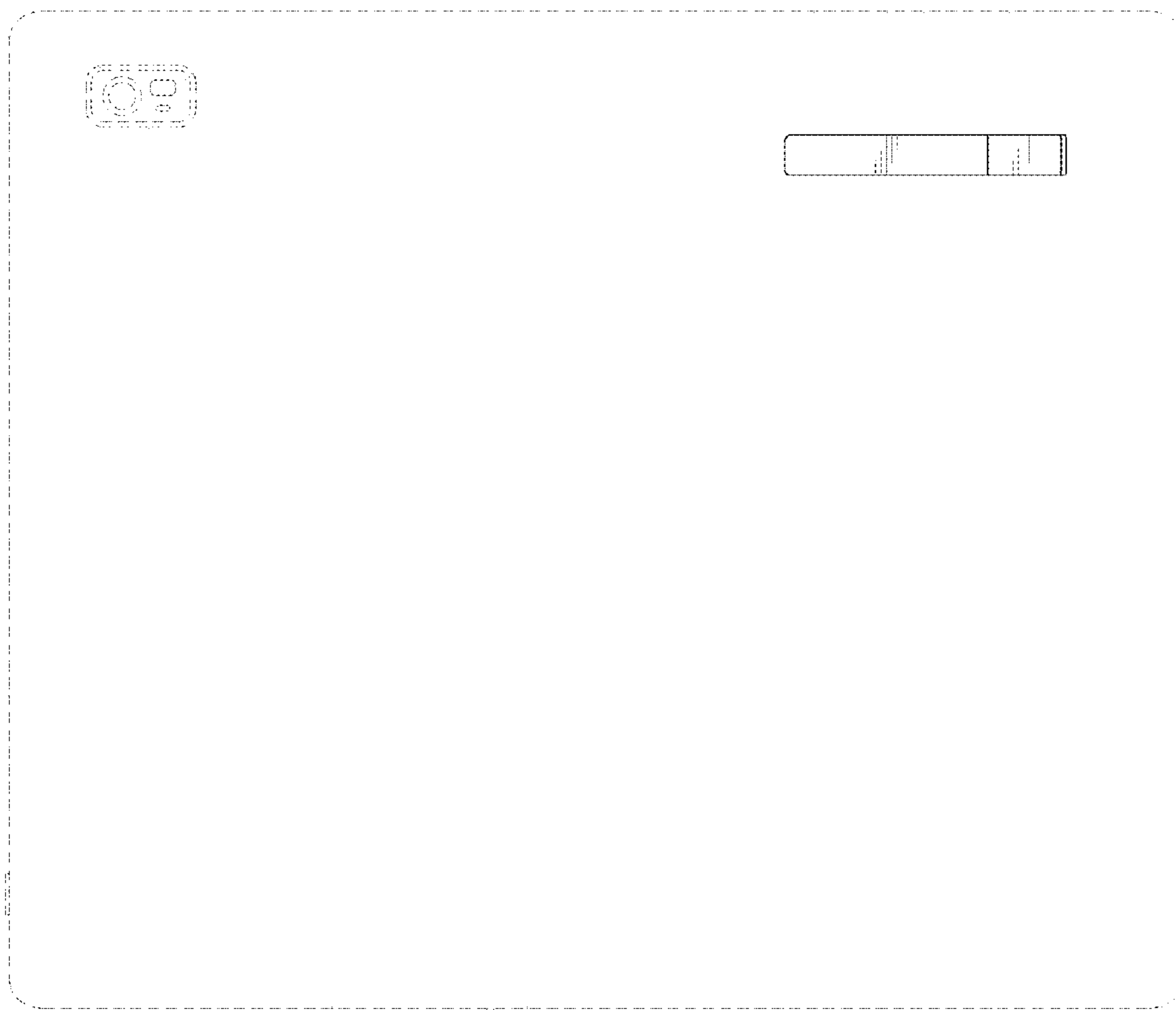


FIG. 7

