



US00D719151S

(12) **United States Design Patent**  
**Hirayama et al.**

(10) **Patent No.:** **US D719,151 S**  
(45) **Date of Patent:** **\*\* Dec. 9, 2014**

(54) **PORTABLE COMPUTER**

(56) **References Cited**

(71) Applicant: **Panasonic Corporation**, Kadoma-shi,  
Osaka (JP)

U.S. PATENT DOCUMENTS

(72) Inventors: **Kensuke Hirayama**, Osaka (JP); **So Suzuki**, Osaka (JP); **Takashi Tsukahara**, Osaka (JP)

D509,827 S *	9/2005	Johnson	.....	D14/374
D641,018 S *	7/2011	Lee et al.	.....	D14/341
D664,540 S *	7/2012	Kim et al.	.....	D14/341
D667,397 S *	9/2012	Koh	.....	D14/341
D667,398 S *	9/2012	Koh	.....	D14/341
D672,767 S *	12/2012	Yoneya et al.	.....	D14/341
D676,043 S *	2/2013	Hirose	.....	D14/341
D677,232 S *	3/2013	Park	.....	D14/138 G
D684,150 S *	6/2013	Goradesky et al.	.....	D14/250
D688,221 S *	8/2013	Zuffo et al.	.....	D14/138 G
D691,576 S *	10/2013	Lee	.....	D14/138 G

(73) Assignee: **Panasonic Corporation**, Osaka (JP)

(\*\*) Term: **14 Years**

(Continued)

(21) Appl. No.: **29/480,742**

OTHER PUBLICATIONS

(22) Filed: **Jan. 29, 2014**

Panasonic Toughpad FZ-M1 review: hands-on, announced Jan. 10, 2014 [online], [site visited Sep. 19, 2014] Available from Internet, URL: <<http://photos.pcpro.co.uk/blogs/wp-content/uploads/2014/01/DSC05997.JPG>>.\*

(30) **Foreign Application Priority Data**

Dec. 20, 2013 (JP) ..... 2013-029957

(51) **LOC (10) Cl.** ..... **14-02**

*Primary Examiner* — Barbara Fox

(52) **U.S. Cl.**

*Assistant Examiner* — Dana K Weiland

USPC ..... **D14/341**

(74) *Attorney, Agent, or Firm* — Brinks Gilson & Lione

(58) **Field of Classification Search**

(57) **CLAIM**

CPC ..... A63H 33/3016; G06F 1/1613; H04M 1/0202; H04M 1/0279; H04M 1/0281; H04M 1/0283

We claim the ornamental design for a portable computer, as shown and described.

USPC ..... D14/341–347, 137, 138 R, 138 AA, D14/138 C, 138 G, 496, 203.1, 203.3, 203.4, D14/203.7, 129, 130, 147, 218, 247, 248, D14/250, 385, 388, 389, 315–318, 420, 426, D14/439; D10/65, 104.1; D18/6, 7; D21/324, 329, 330, 332; 455/556.1, 455/556.2, 566, 575.1, 90.3; 379/433.04, 379/433.01, 433.06, 916; 345/173, 901, 345/905; 361/679.26, 679.27, 679.3, 361/679.55, 679.56; D6/308, 310; 463/37; 248/917–924; 348/376; D11/222

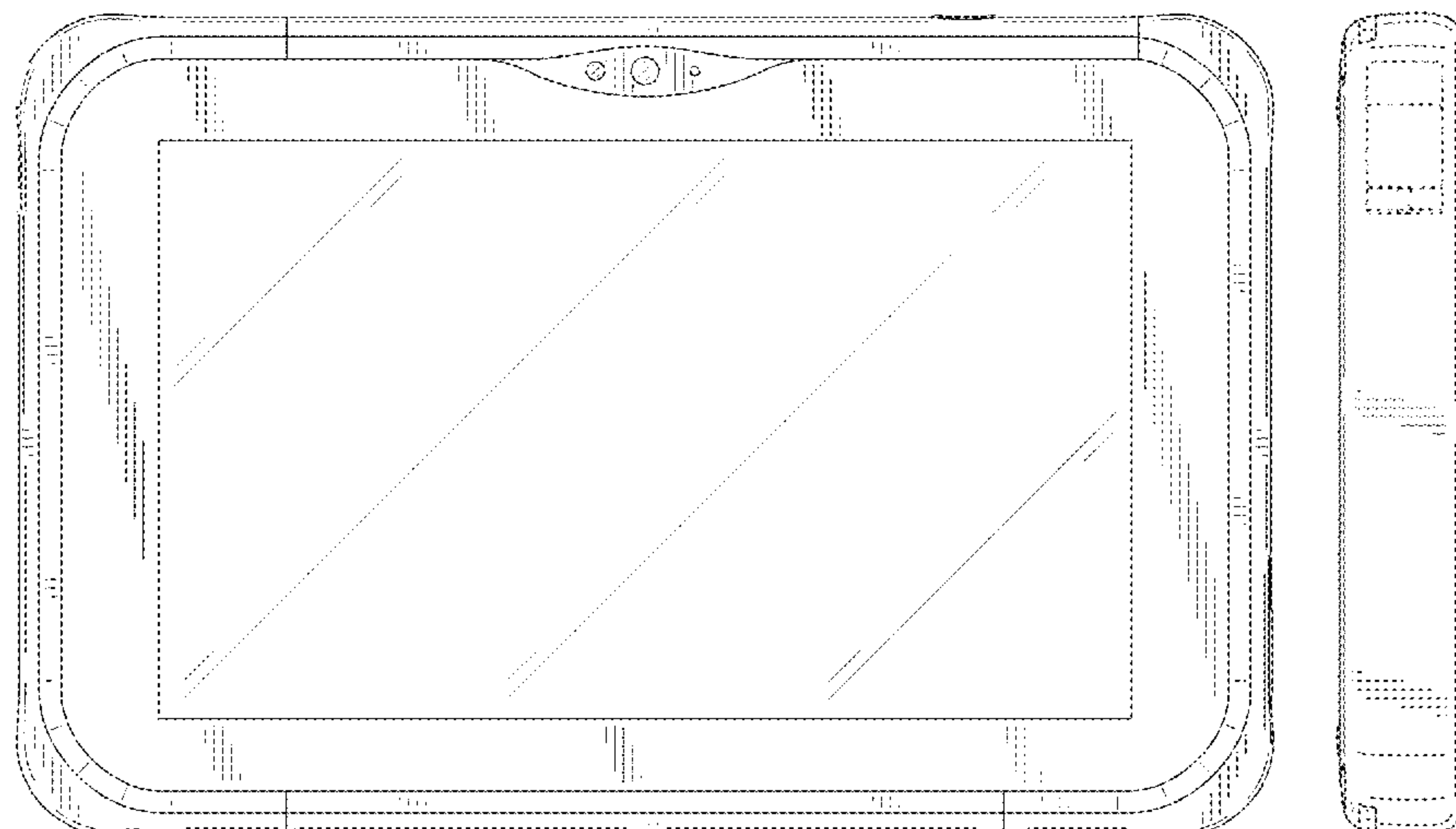
**DESCRIPTION**

FIG. 1 is a front perspective view of a portable computer showing our new design;  
FIG. 2 is a rear perspective view thereof;  
FIG. 3 is front view thereof;  
FIG. 4 is a rear view thereof;  
FIG. 5 is a left side view thereof;  
FIG. 6 is a right side view thereof;  
FIG. 7 is a top view thereof; and,  
FIG. 8 is a bottom view thereof.

The broken lines shown in the drawings represent portions of the portable computer that form no part of the claimed design.

See application file for complete search history.

**1 Claim, 8 Drawing Sheets**



(56)

**References Cited**

U.S. PATENT DOCUMENTS

D693,054 S \* 11/2013 Verleur ..... D27/189  
D701,203 S \* 3/2014 Katori et al. .... D14/341  
D703,665 S \* 4/2014 Suzuki et al. .... D14/341

D705,747 S \* 5/2014 Boucquey et al. .... D14/138 G  
D707,644 S \* 6/2014 Asano et al. .... D14/138 G  
D710,351 S \* 8/2014 Park et al. .... D14/341  
D710,844 S \* 8/2014 Lee et al. .... D14/341  
D712,864 S \* 9/2014 Hirota ..... D14/138 G

\* cited by examiner

FIG. 1

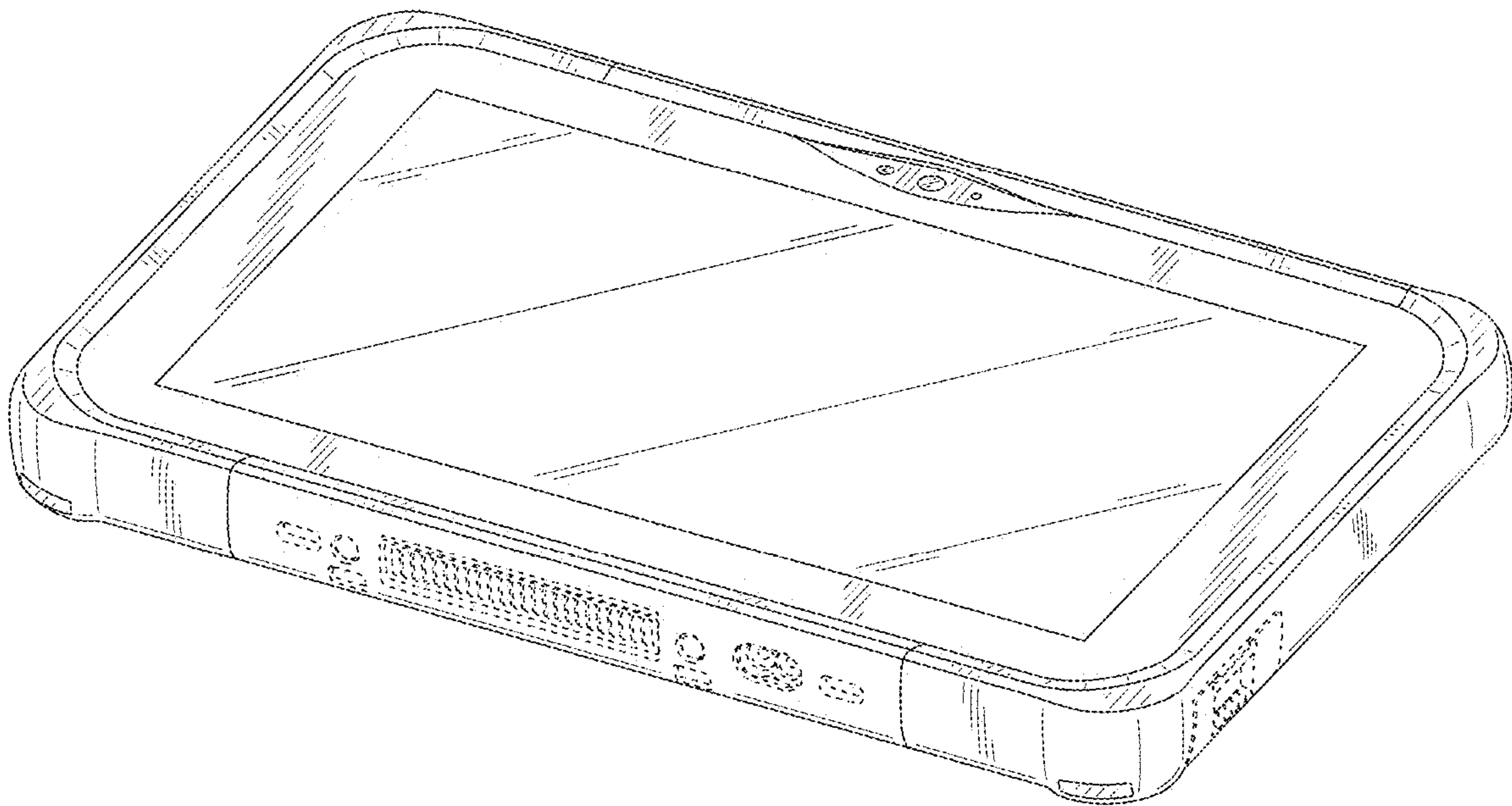


FIG.2

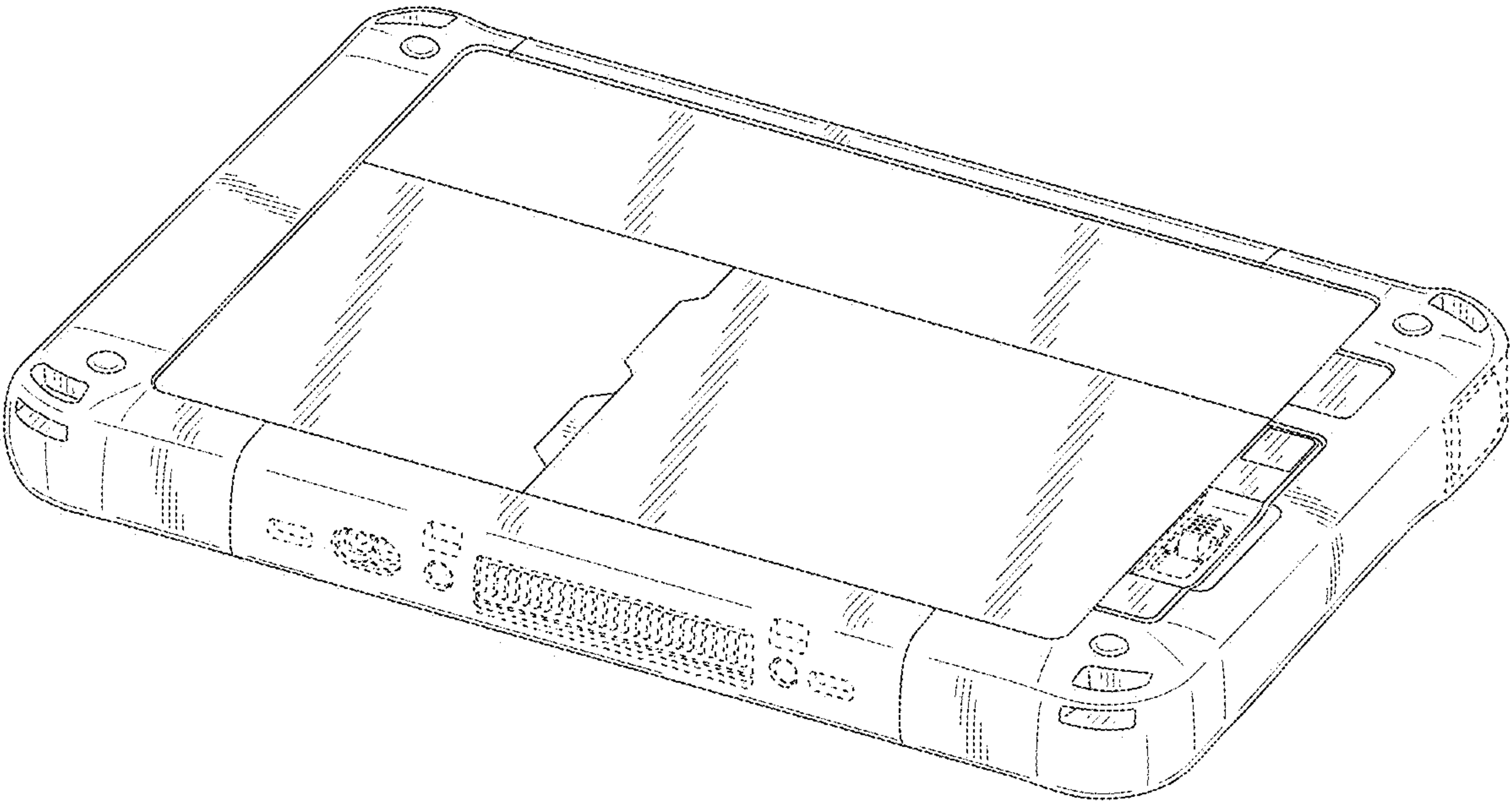


FIG.3

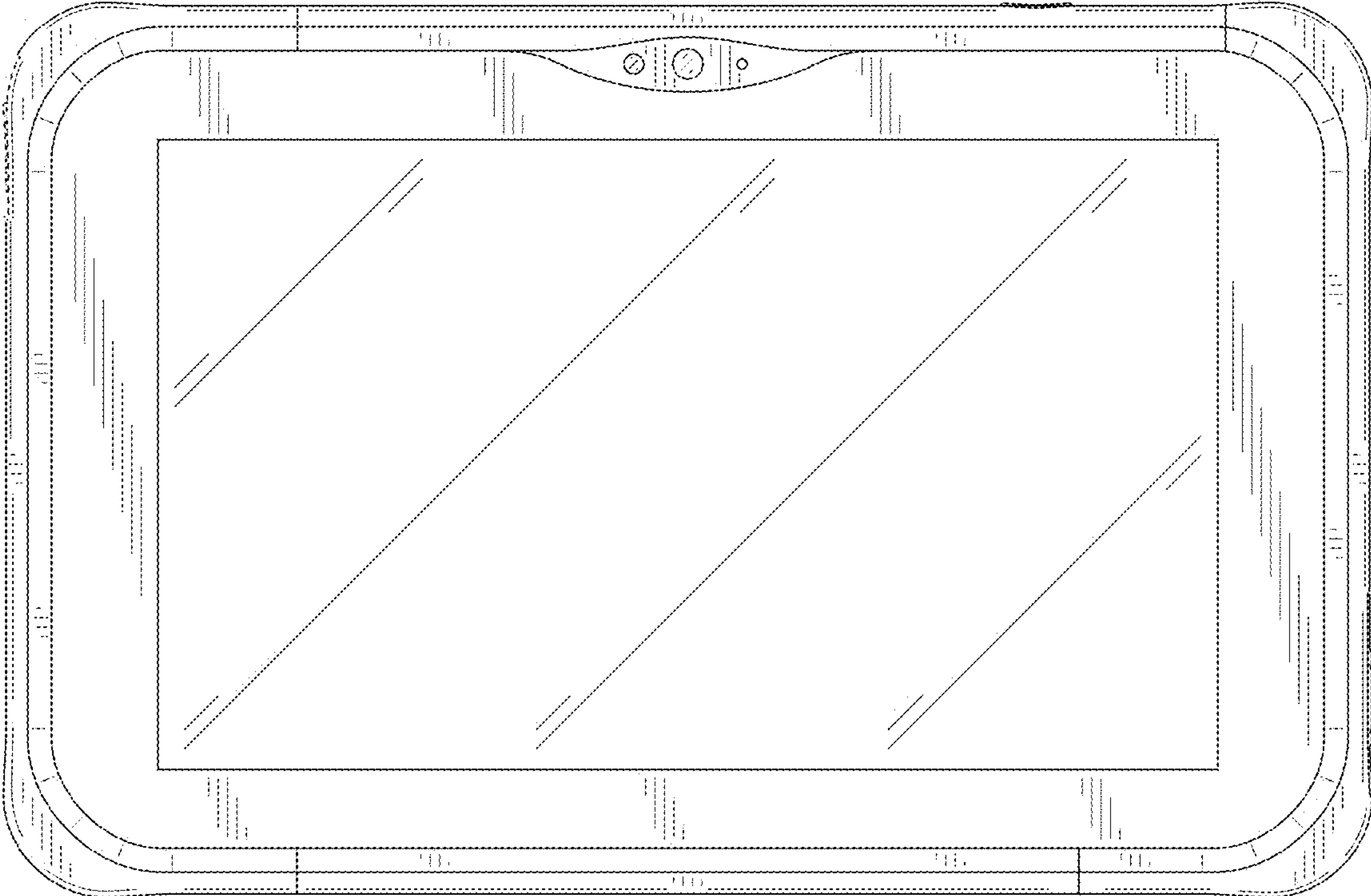




FIG.4

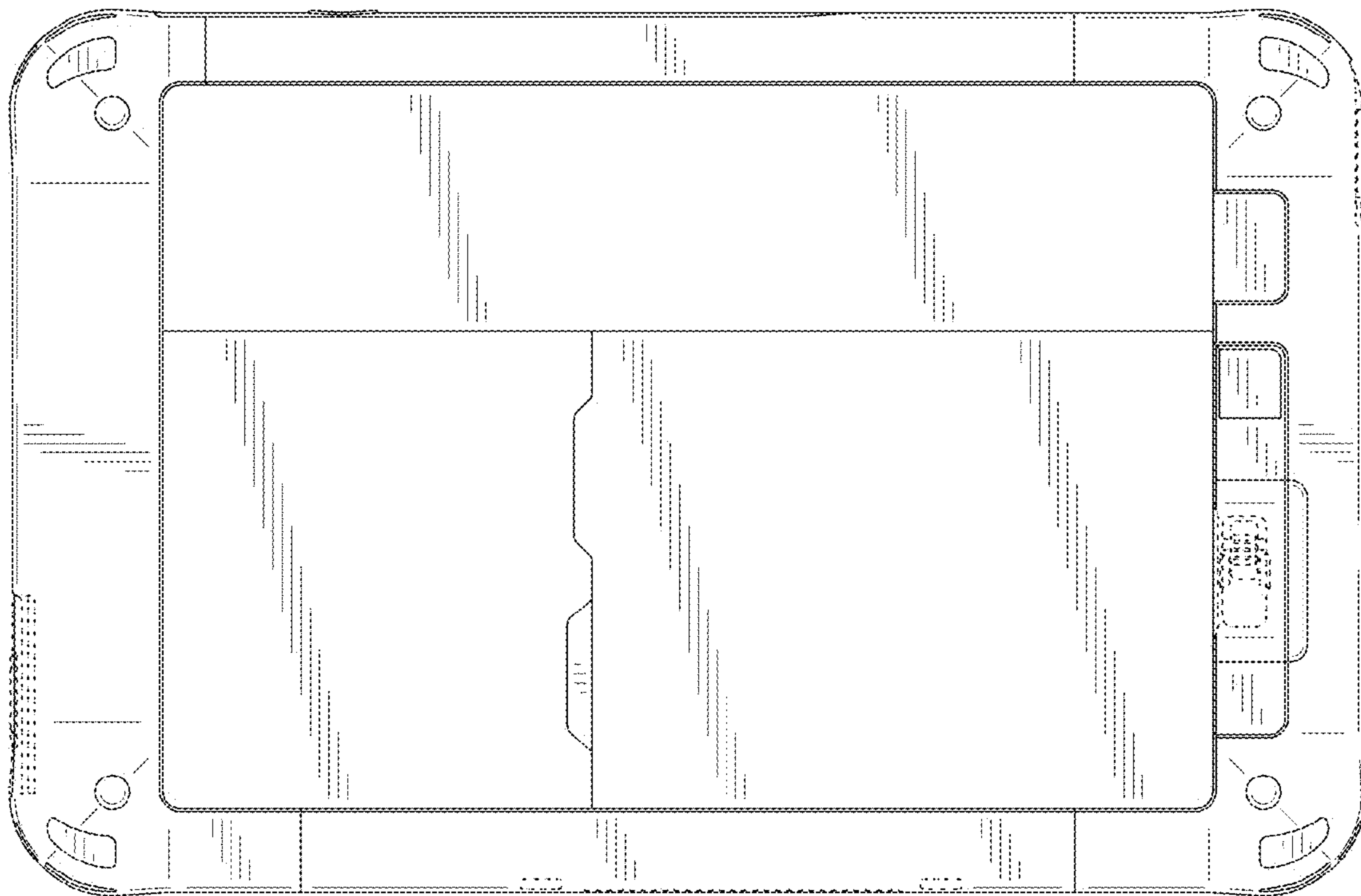


FIG. 5

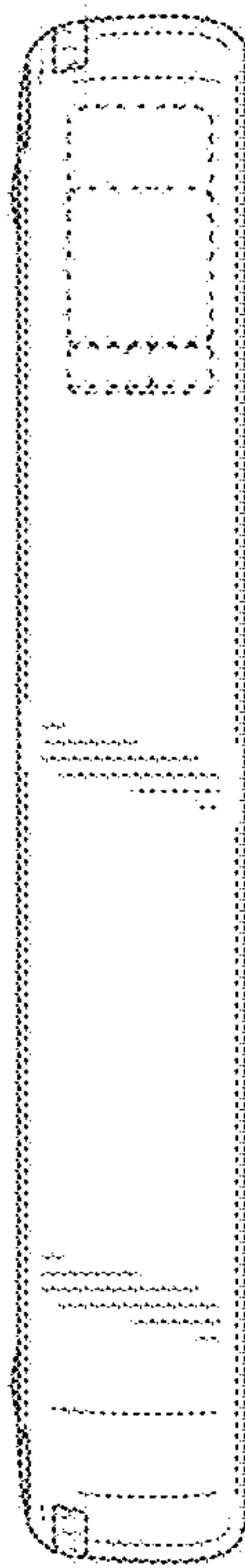


FIG. 6

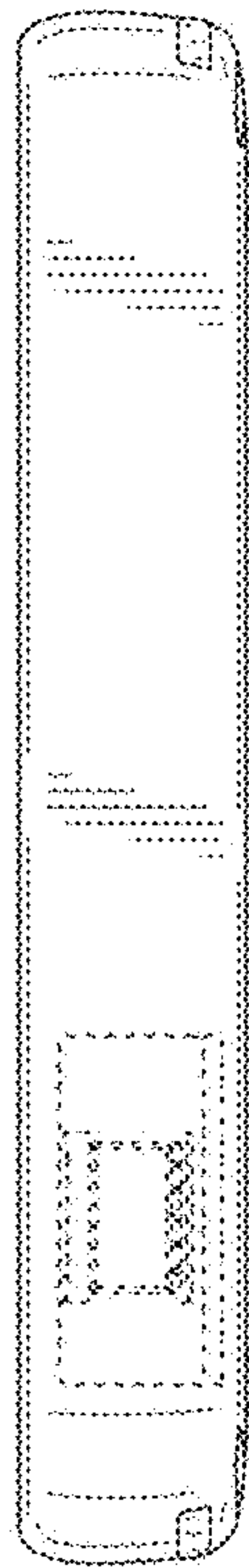




FIG. 7

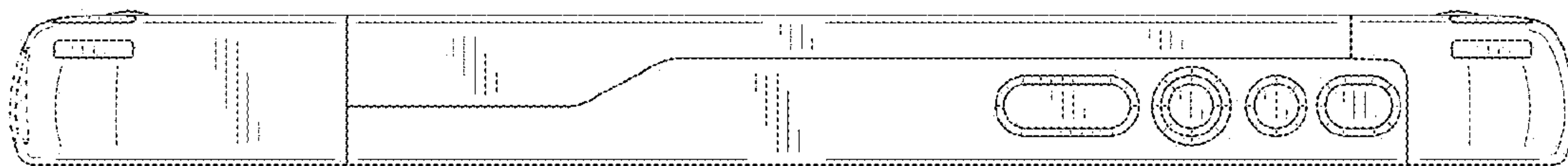


FIG. 8

