



US00D719147S

(12) **United States Design Patent**
Murakami

(10) **Patent No.:** **US D719,147 S**

(45) **Date of Patent:** **** Dec. 9, 2014**

(54) **AUDIO PLAYER**

(71) Applicant: **Sony Corporation**, Tokyo (JP)

(72) Inventor: **Tomonari Murakami**, Tokyo (JP)

(73) Assignee: **Sony Corporation**, Tokyo (JP)

(**) Term: **14 Years**

(21) Appl. No.: **29/441,900**

(22) Filed: **Jan. 10, 2013**

(30) **Foreign Application Priority Data**

Jul. 26, 2012 (CN) 2012 3 0342865

(51) **LOC (10) Cl.** **14-03**

(52) **U.S. Cl.**
USPC **D14/258**

(58) **Field of Classification Search**
USPC D12/82, 192, 195, 415; D14/131, 132,
D14/137, 155, 157, 167-172, 188, 197, 198,
D14/239, 257, 258, 345-355, 400, 496,
D14/498-505, 511; D16/202, 206;
D21/329-332, 669, 670, 696;
360/99.02, 99.07; 369/6-12, 75.11,
369/75.21, 77.11; 455/344, 348-355,
455/575.9; 720/612, 619, 649, 655

See application file for complete search history.

(56) **References Cited**

U.S. PATENT DOCUMENTS

D400,529 S * 11/1998 Kakizaki D14/157
D411,996 S * 7/1999 Yamazaki D14/168
D423,500 S * 4/2000 Miyazaki D14/168
D430,132 S * 8/2000 Yamazaki D14/505
D438,193 S 2/2001 Hakoda
D451,090 S * 11/2001 Hirano et al. D14/239
D479,713 S 9/2003 Sadatsuki
D486,134 S * 2/2004 Hori et al. D14/502
D508,045 S 8/2005 Suzuki
D508,046 S 8/2005 Suzuki

D513,245 S 12/2005 Suzuki
D524,808 S * 7/2006 Kimura et al. D14/505
D534,887 S * 1/2007 Endo et al. D14/505
D538,778 S 3/2007 Shiono
D563,922 S * 3/2008 Shiono D14/505
D565,043 S 3/2008 Shiono
D571,326 S * 6/2008 Ogura D14/506
D571,347 S * 6/2008 Masul D14/500

(Continued)

FOREIGN PATENT DOCUMENTS

JP D1366896 S 2/2009

Primary Examiner — Stella Reid

Assistant Examiner — Janice Lim

(74) *Attorney, Agent, or Firm* — Rader, Fishman & Grauer
PLLC

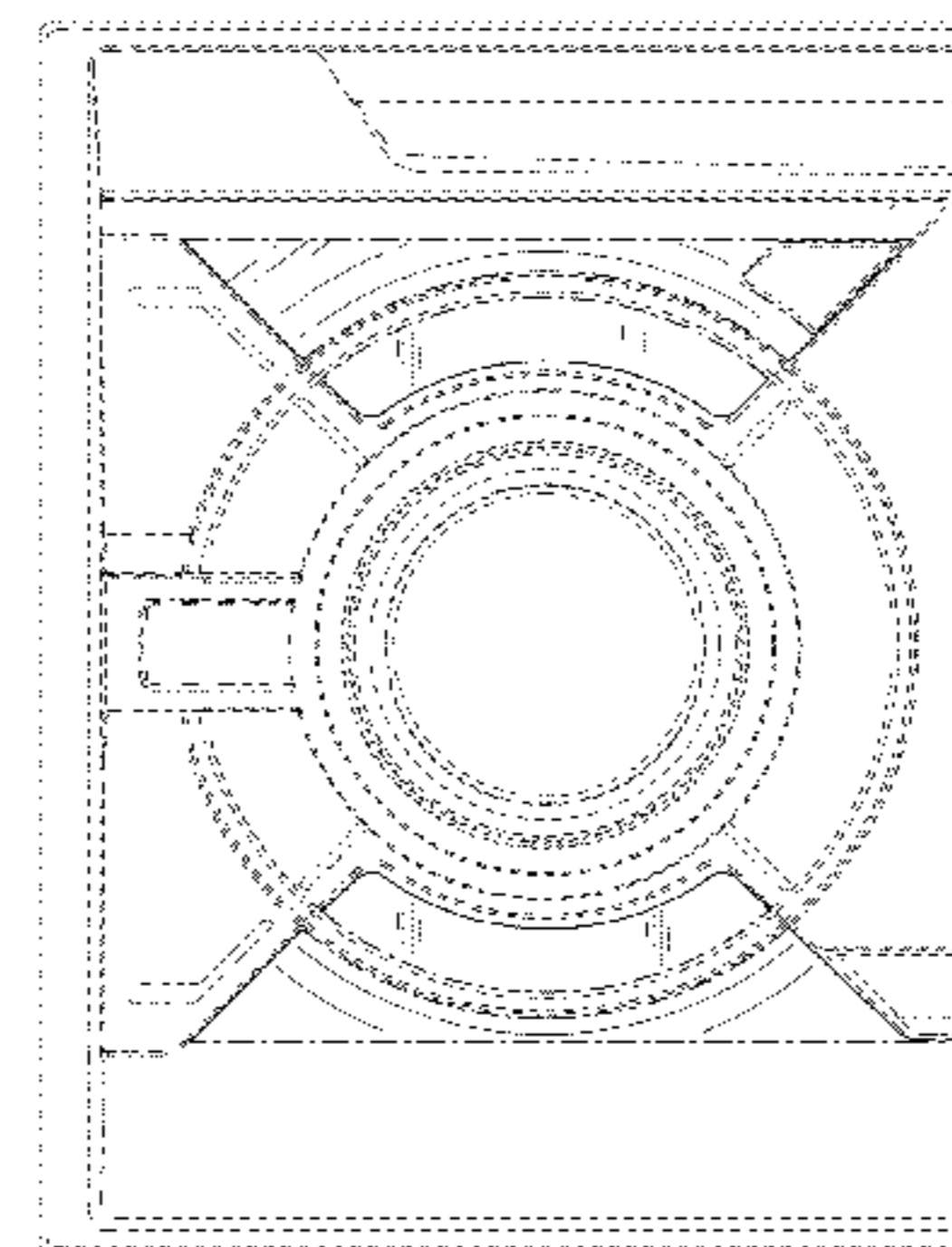
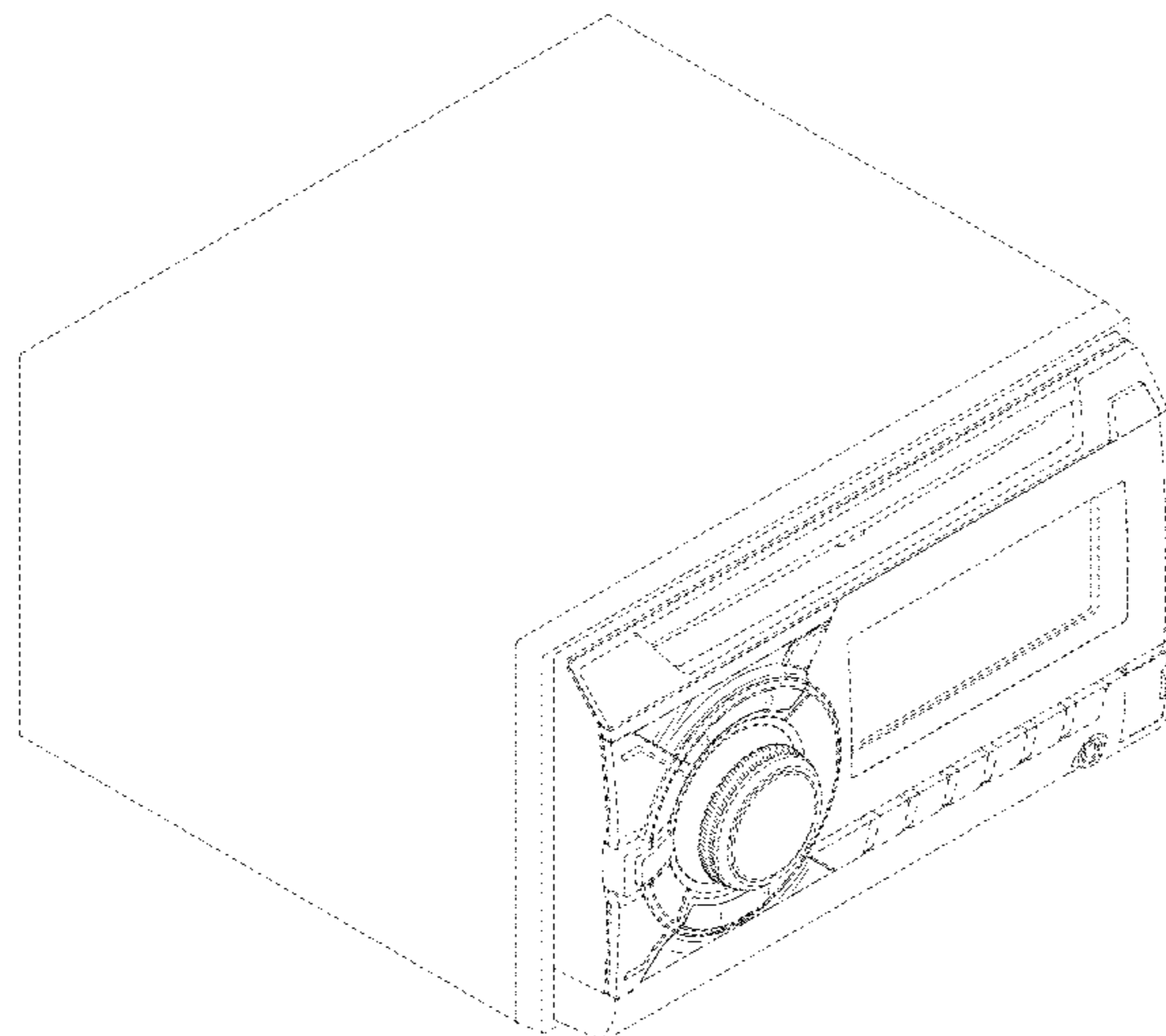
(57) **CLAIM**

The ornamental design for an audio player, as shown and described.

DESCRIPTION

FIG. 1 is a top perspective view of an audio player, showing my new design;
FIG. 2 is a front elevational view thereof;
FIG. 3 is a top plan view thereof;
FIG. 4 is a bottom plan view thereof;
FIG. 5 is a partially enlarged top perspective view of FIG. 1 showing the claimed portion;
FIG. 6 is a partially enlarged front elevational view of FIG. 2 showing the claimed portion;
FIG. 7 is a partially enlarged top plan view of FIG. 3 showing the claimed portion; and,
FIG. 8 is a partially enlarged bottom plan view of FIG. 4 showing the claimed portion.
Portions shown as broken lines show unclaimed subject matter and form no part of the claimed design. Dot-dash broken lines define the boundaries of, but not included in, the claimed design.

1 Claim, 6 Drawing Sheets



(56)

References Cited

U.S. PATENT DOCUMENTS

D585,403 S * 1/2009 Wada D14/500
D629,410 S * 12/2010 Ray et al. D14/485

D645,464 S * 9/2011 Kimura D14/257
D671,520 S * 11/2012 Kanou D14/157
D672,331 S * 12/2012 Kanou D14/157
D680,094 S * 4/2013 Kanou D14/157

* cited by examiner

FIG.1

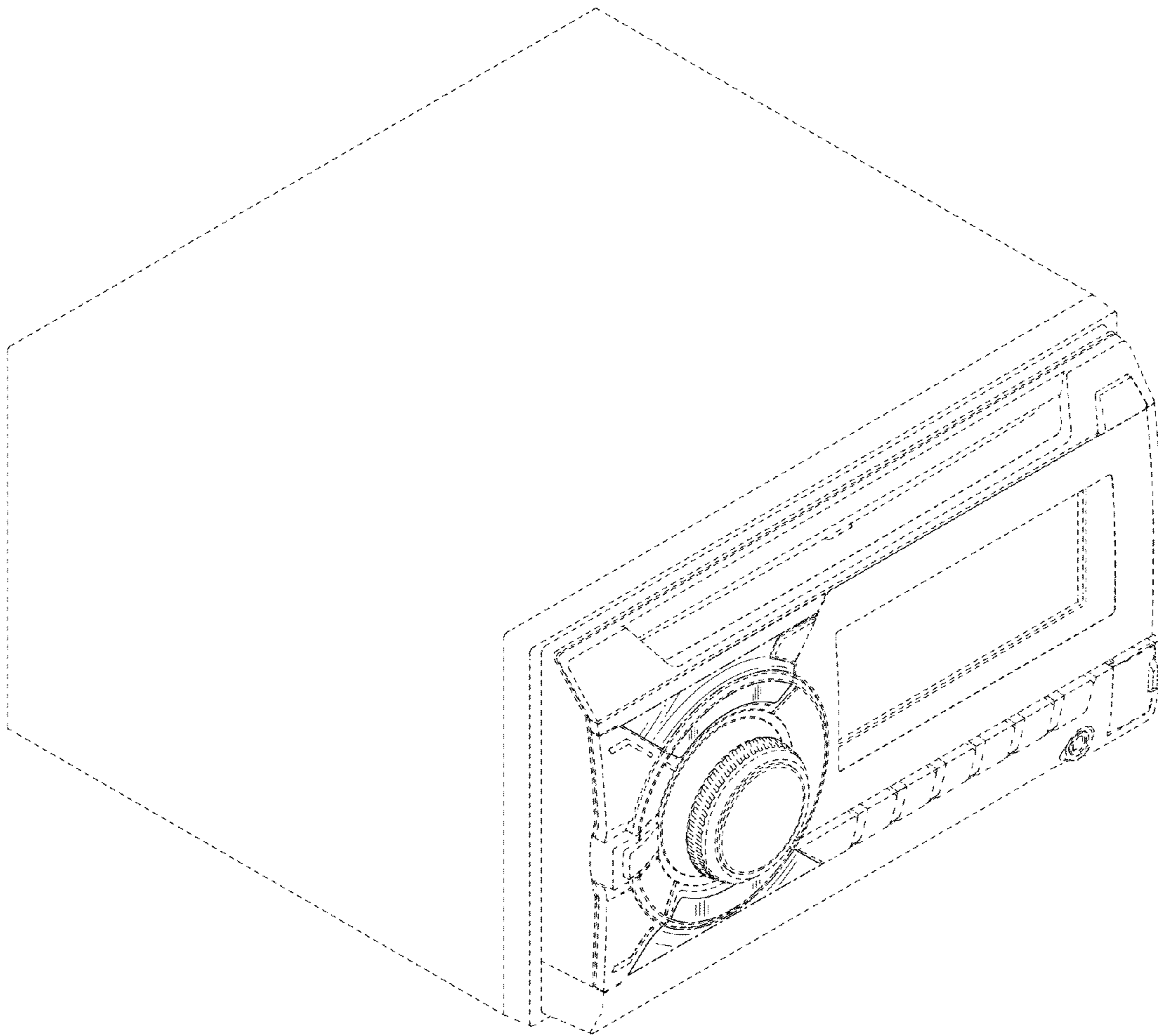


FIG.2

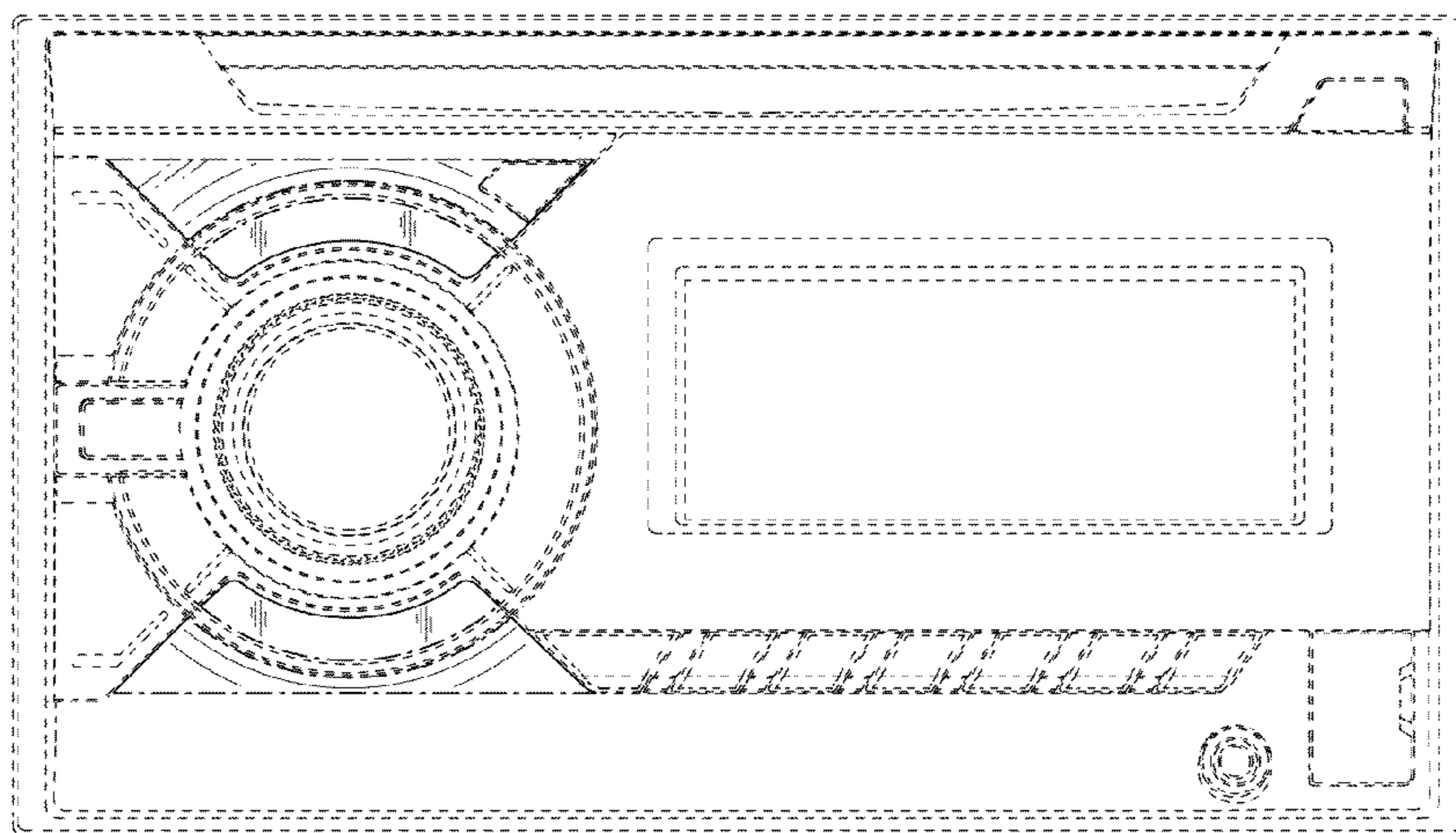


FIG.3

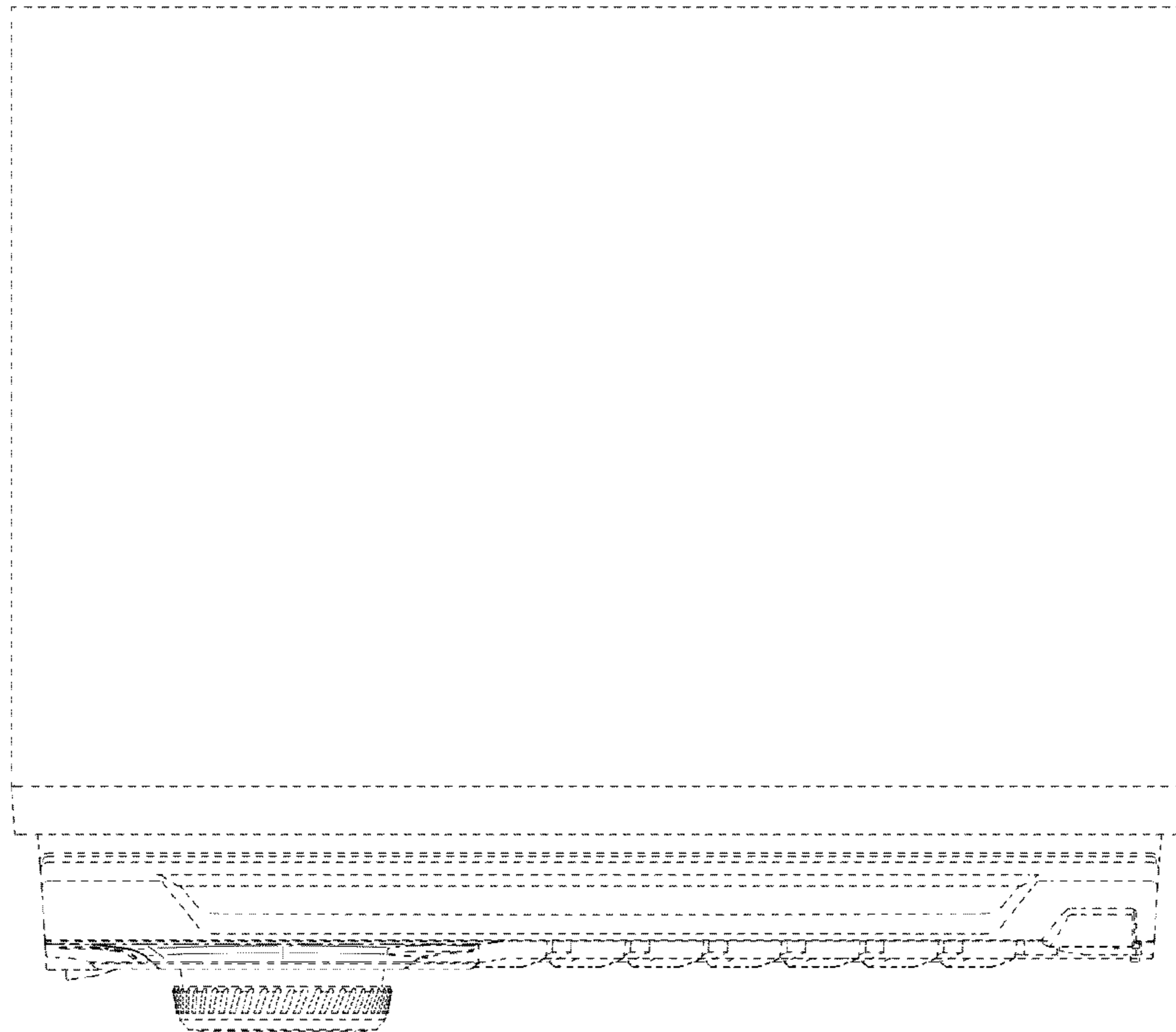


FIG.4

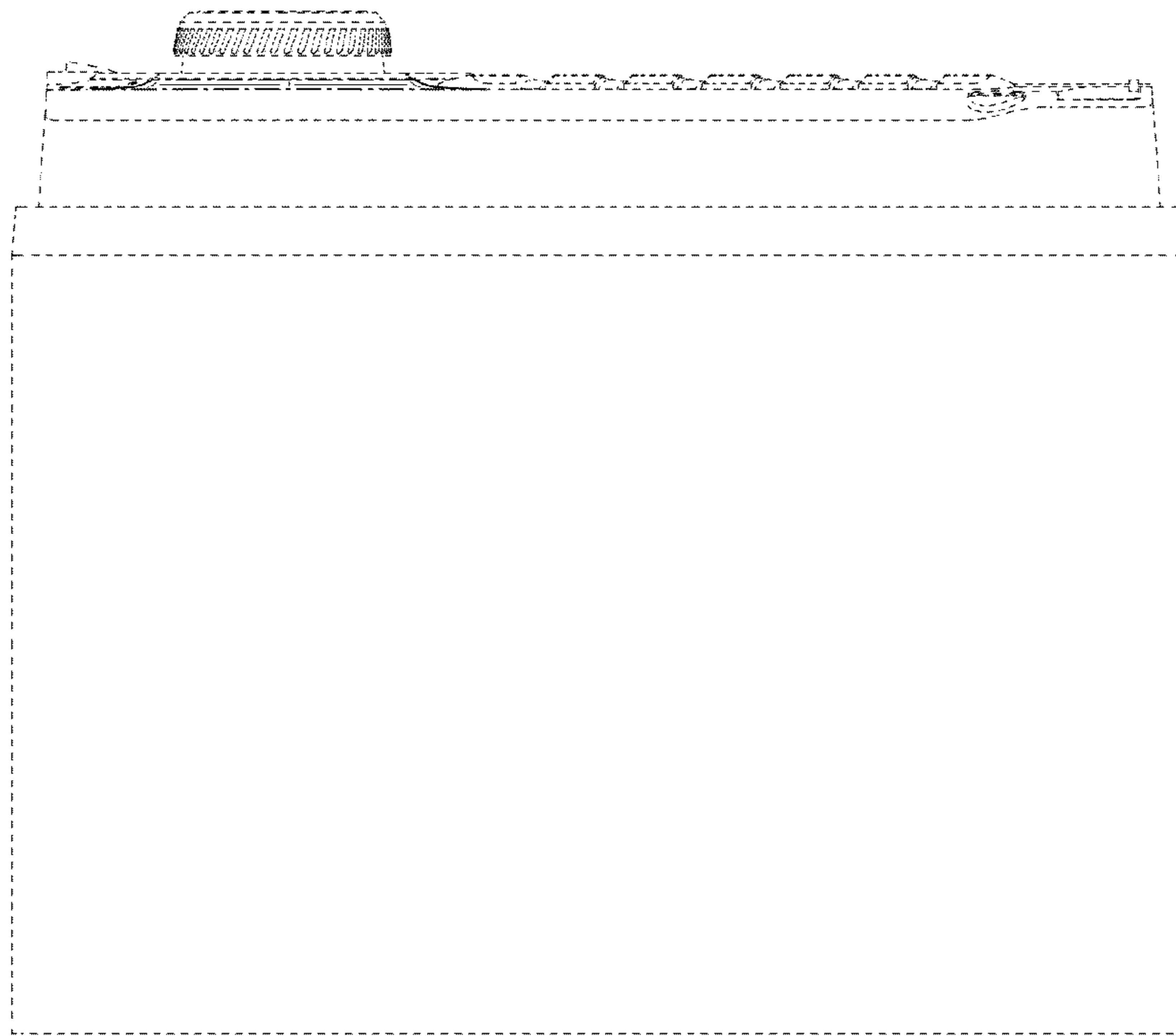


FIG.5

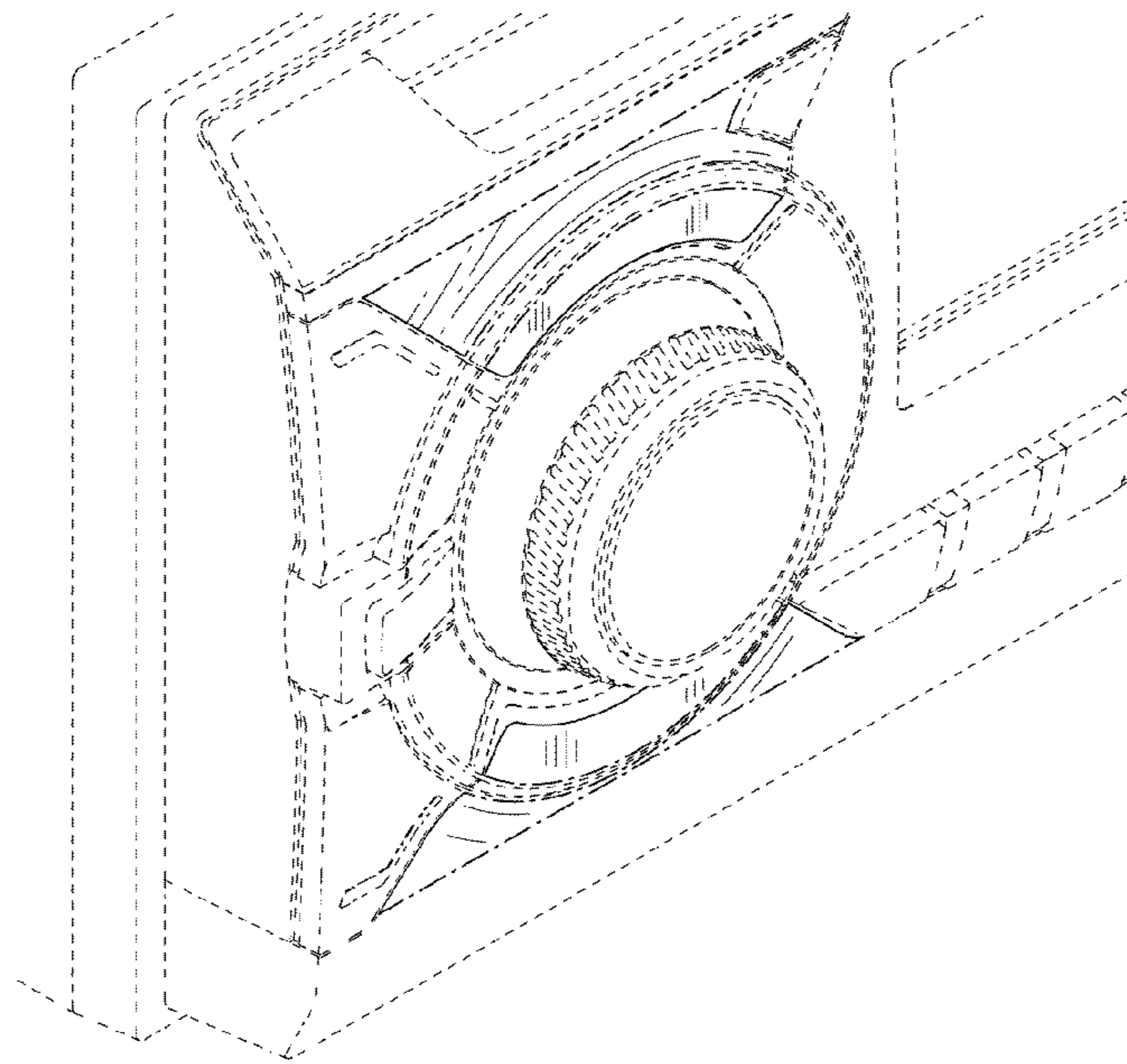


FIG.6

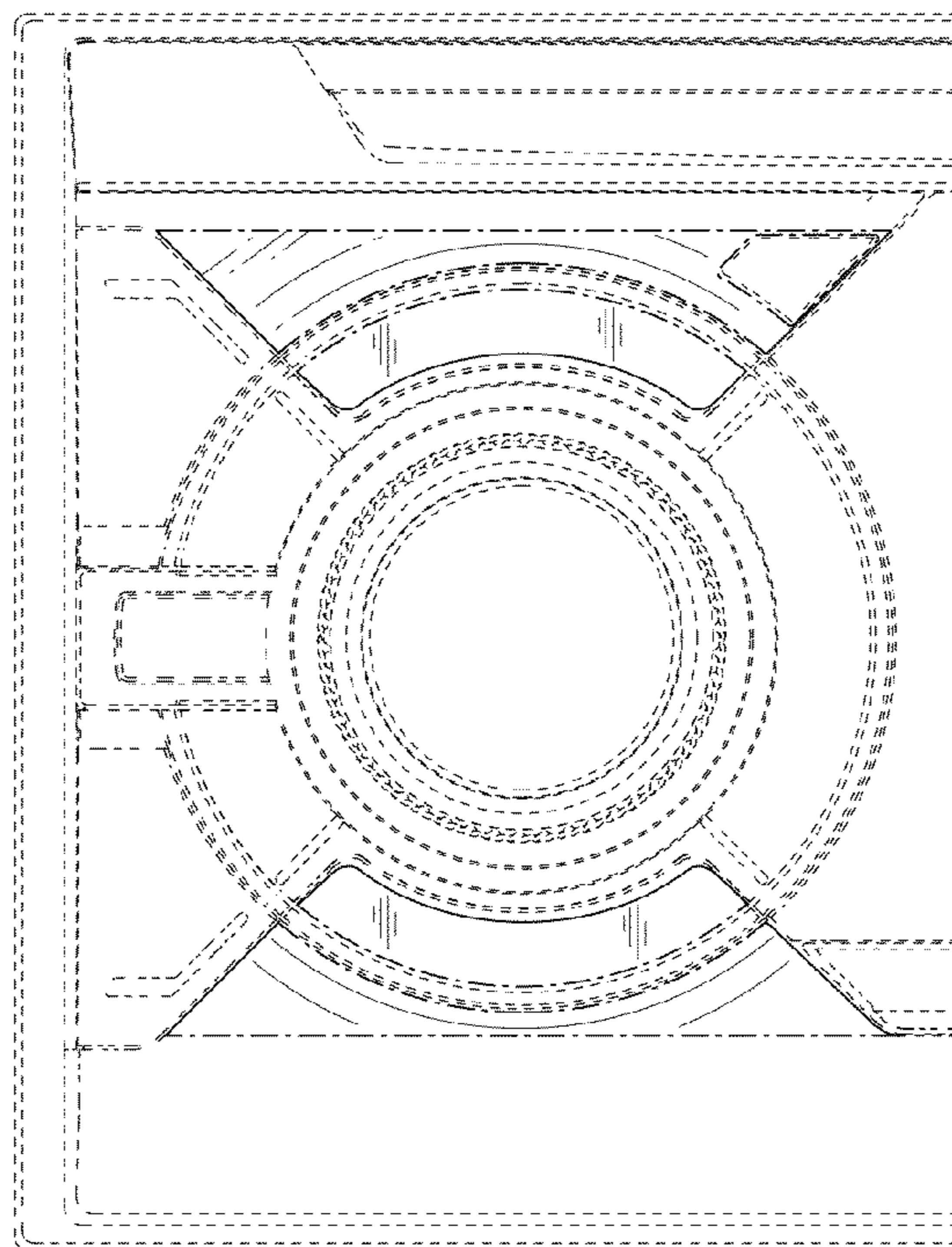


FIG.7

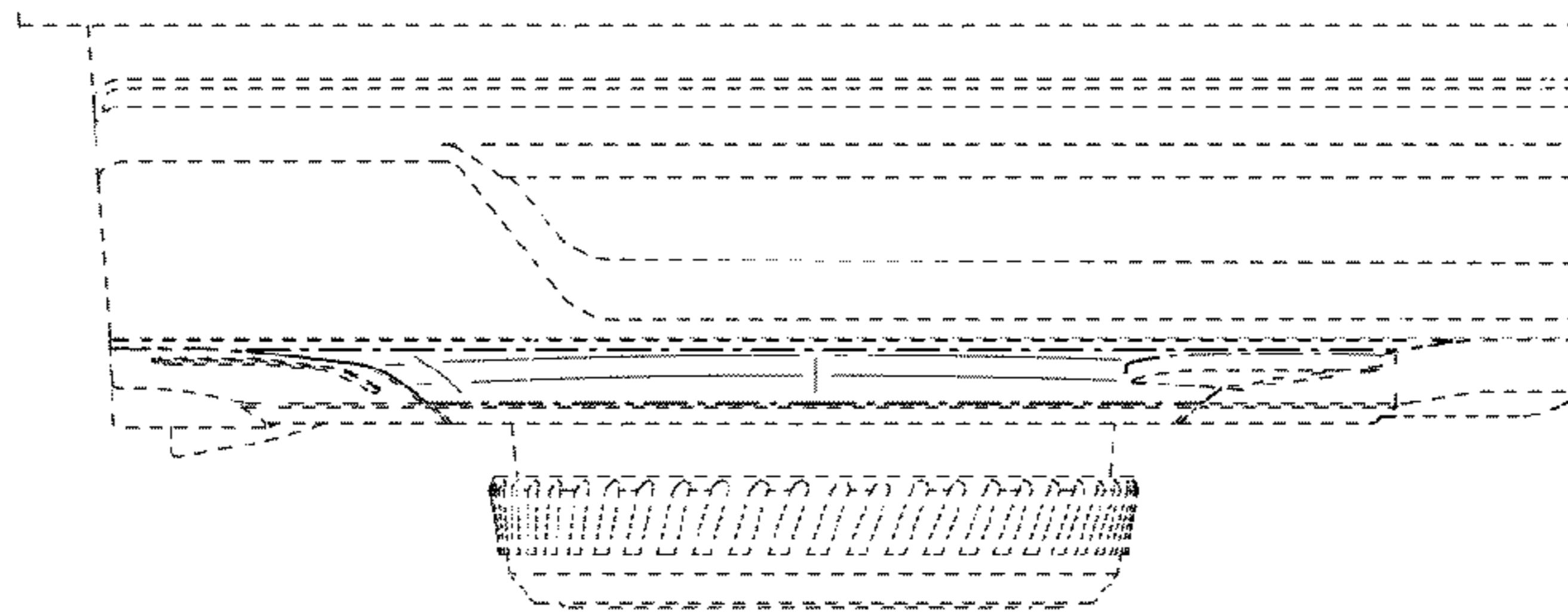


FIG.8

