



US00D719143S

(12) **United States Design Patent**
Vidovic

(10) **Patent No.:** **US D719,143 S**

(45) **Date of Patent:** **** Dec. 9, 2014**

(54) **PHONE CASE WITH MONEY CLIP AND CARD SLOT**

D698,776 S * 2/2014 Fathollahi D14/250

* cited by examiner

(71) Applicant: **Shane V. Vidovic**, University Heights, OH (US)

Primary Examiner — Thomas Johannes

Assistant Examiner — Chelsea Sealey

(72) Inventor: **Shane V. Vidovic**, University Heights, OH (US)

(74) *Attorney, Agent, or Firm* — D.A. Stauffer Patent Services LLC

(**) Term: **14 Years**

(57) **CLAIM**

The ornamental design for a phone case with money clip and card slot, as shown and described.

(21) Appl. No.: **29/438,700**

DESCRIPTION

(22) Filed: **Nov. 30, 2012**

(51) **LOC (10) Cl.** **14-03**

(52) **U.S. Cl.**

USPC **D14/250**

(58) **Field of Classification Search**

USPC D14/138 AD, 138 C, 138 G, 203.7, 230, D14/238.1, 240, 247, 248, 250, 253, 341, D14/345, 346, 439, 440, 447, 496; D13/103, 119; D3/201, 218, 247, 249, D3/269; 206/320; 455/575.4; D11/178.1; D19/10

See application file for complete search history.

FIG. 1 is a front, top and right side perspective view of a phone case with money clip and card slot, showing my new design; FIG. 2 is a front view thereof; FIG. 3 is a back view thereof; FIG. 4 is a top end view thereof; FIG. 5 is a bottom end view thereof; FIG. 6 is a left side view thereof; and, FIG. 7 is a right side view thereof.

The broken lines indicate unclaimed features of the article and form no part of the claimed design. The dot-dash lines indicate boundaries between claimed portions and unclaimed portions of the design. Unclaimed portions are not shaded. Stippled shading indicates a textured surface, and straight line shading indicates a smooth surface.

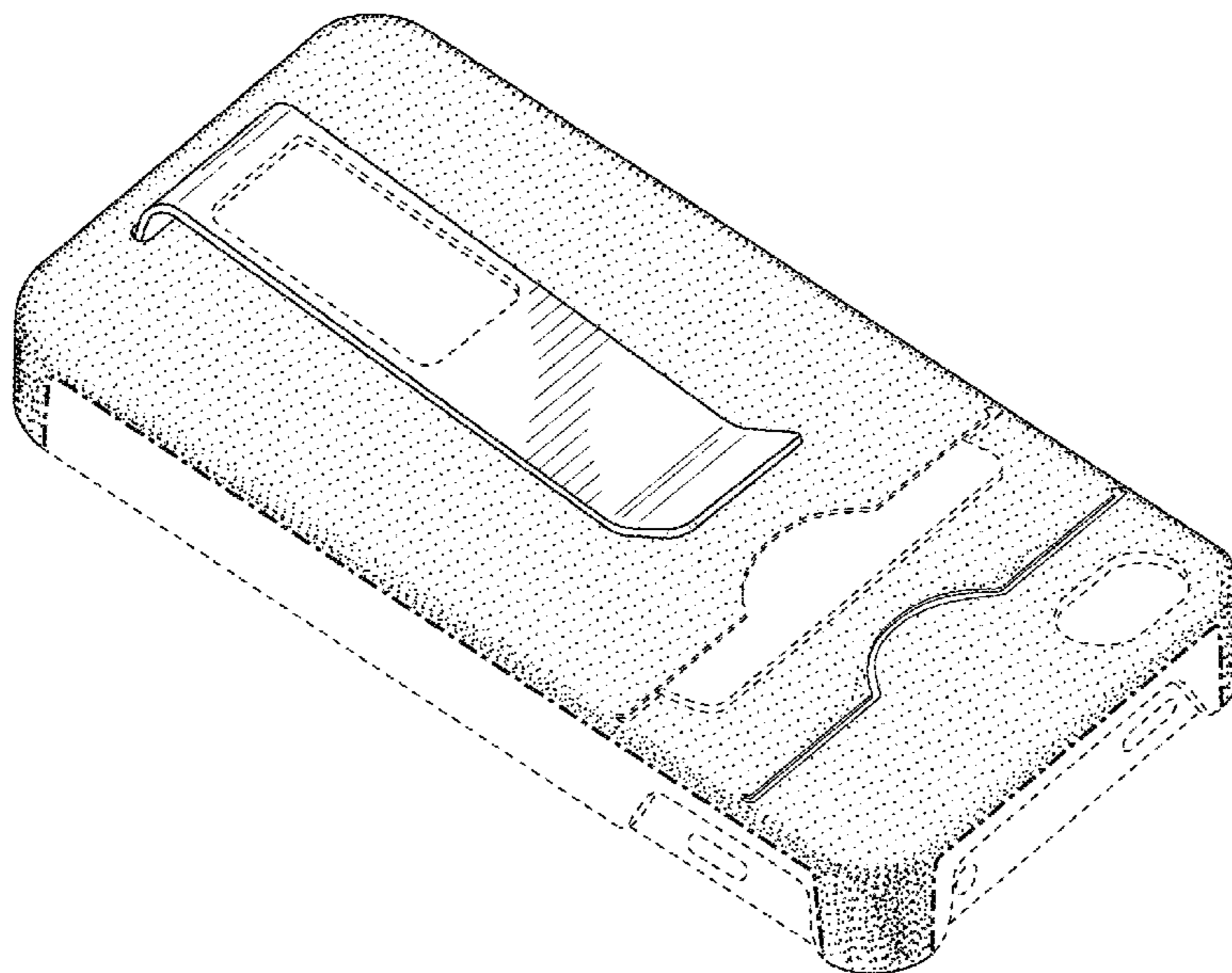
The article in which the claimed design is embodied is a phone case with money clip and card slot intended for use as a protective case for holding a mobile device such as a phone, combined with a clip for holding papers, such as money, and one or more slots for holding cards. Environmentally but not claimed, a cell phone is shown being held in the phone case with money clip and card slot which has openings and cutouts of unclaimed size and position which are intended to allow operation of the mobile device being held.

(56) **References Cited**

U.S. PATENT DOCUMENTS

D372,358 S *	8/1996	Mathison	D3/247
D429,067 S *	8/2000	Kleinsmith	D3/249
D429,068 S *	8/2000	Kleinsmith	D3/249
D431,719 S *	10/2000	Mucarquer	D3/247
D550,455 S *	9/2007	Barnhart	D3/247
D608,093 S *	1/2010	Moore	D3/250
D619,356 S *	7/2010	Hillman	D3/218
D676,432 S *	2/2013	Hasbrook et al.	D14/250
D677,193 S *	3/2013	Macdonald	D11/78.1
D684,567 S *	6/2013	Murchison et al.	D14/250
D698,769 S *	2/2014	Park	D14/248

1 Claim, 5 Drawing Sheets



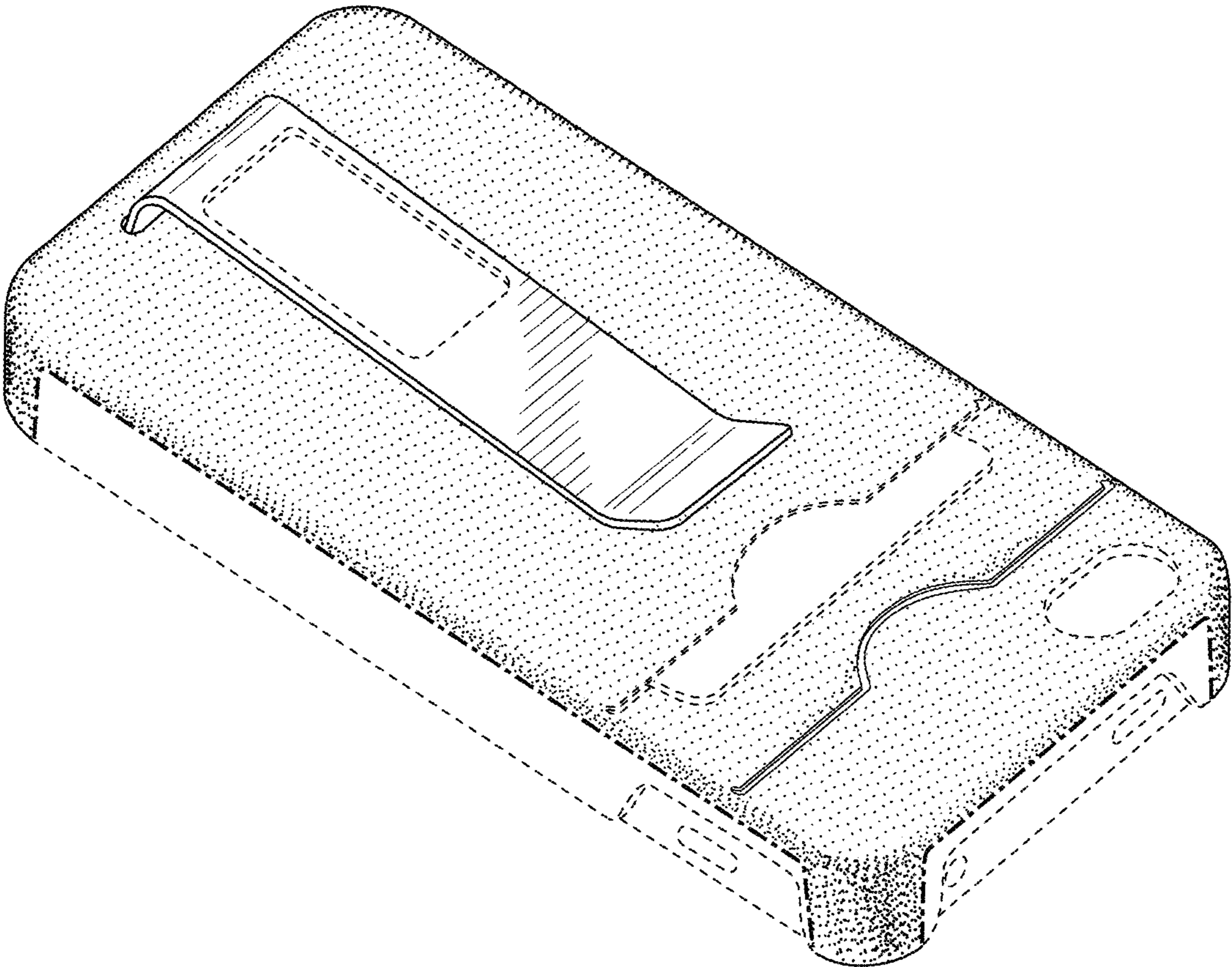


FIG. 1

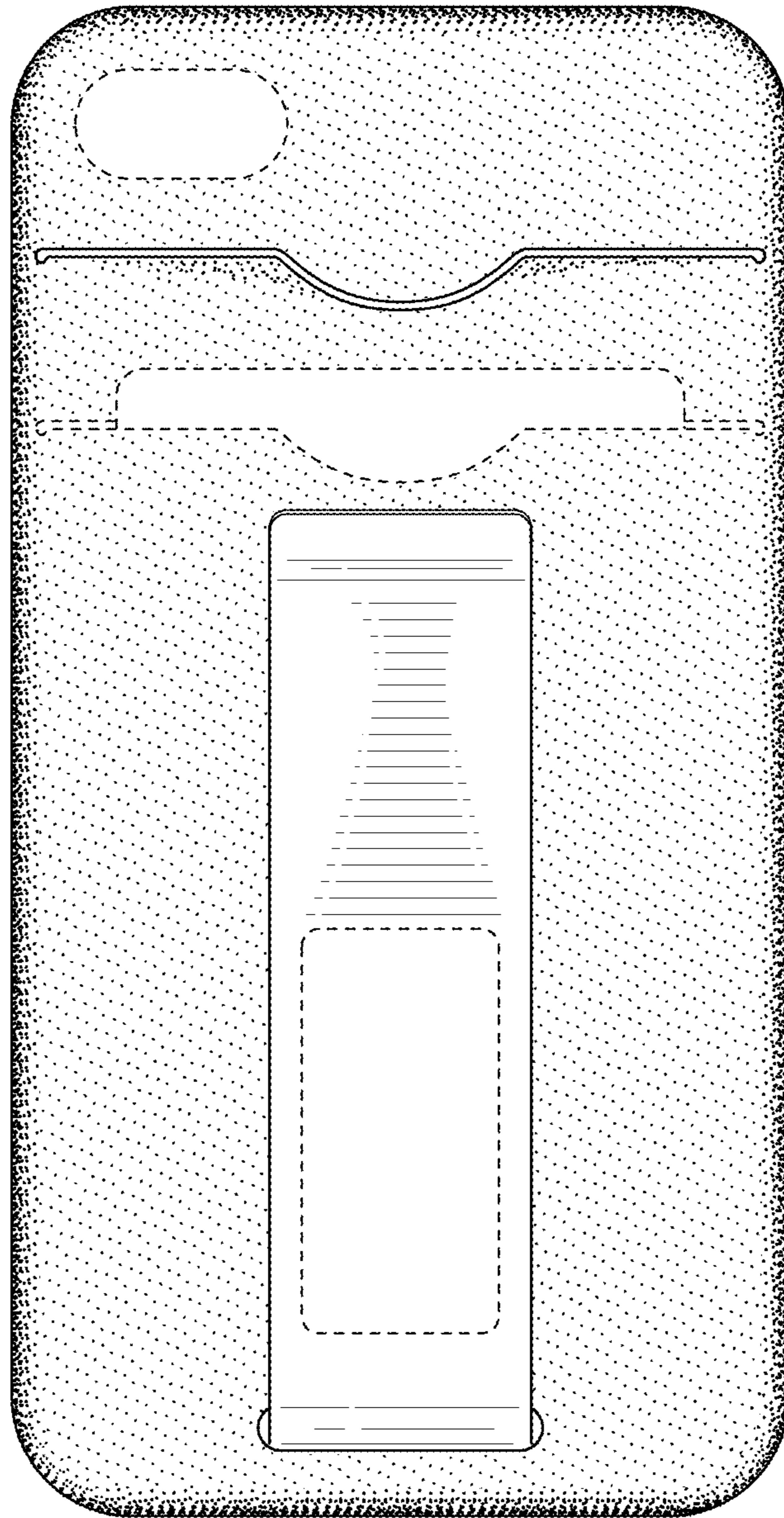


FIG. 2

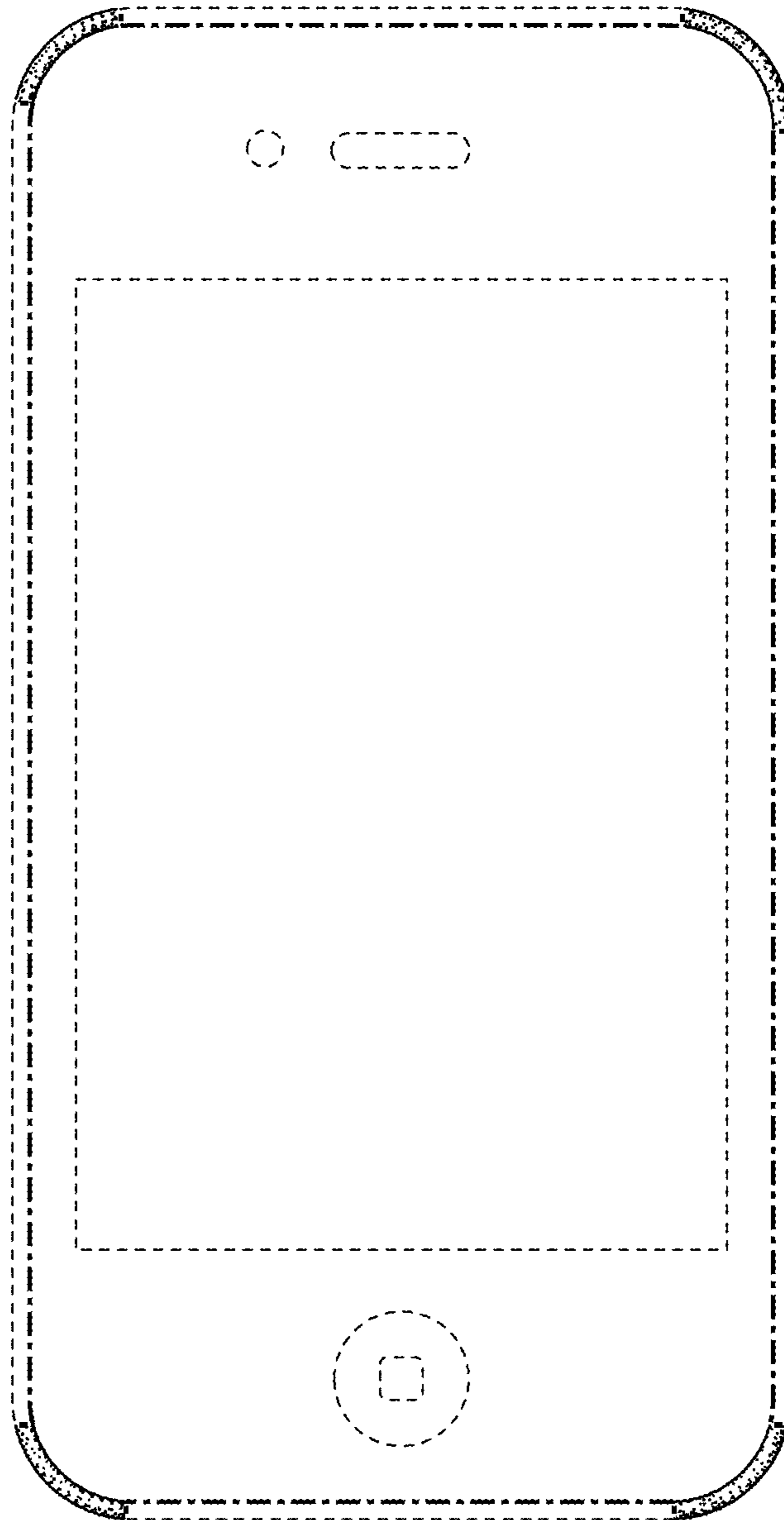


FIG. 3

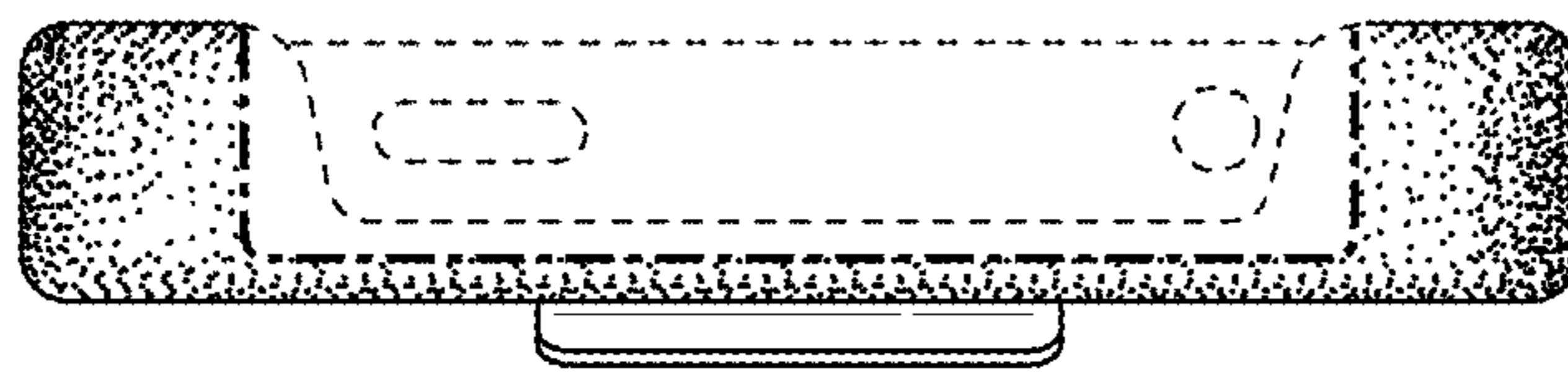


FIG. 4

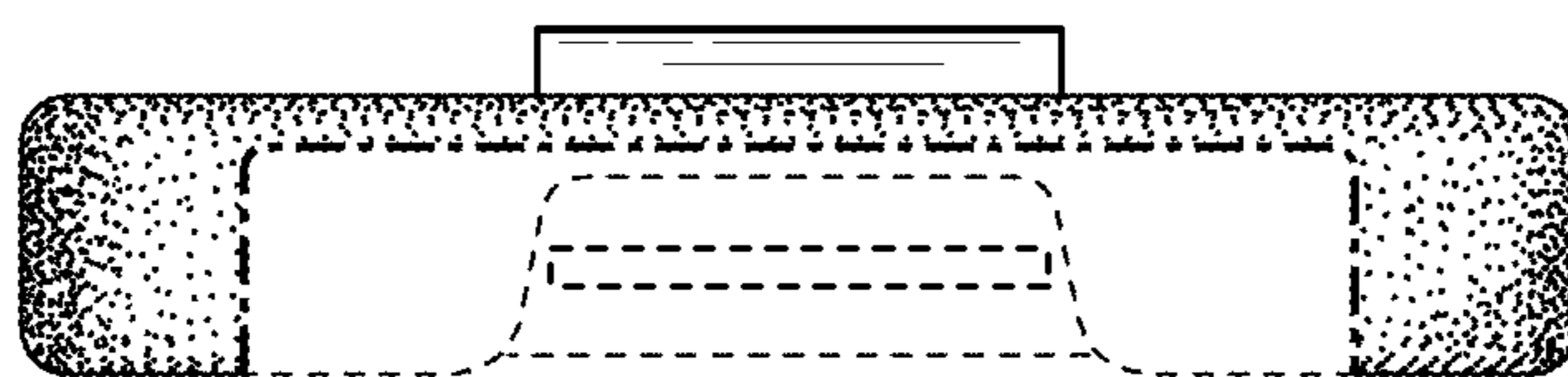


FIG. 5

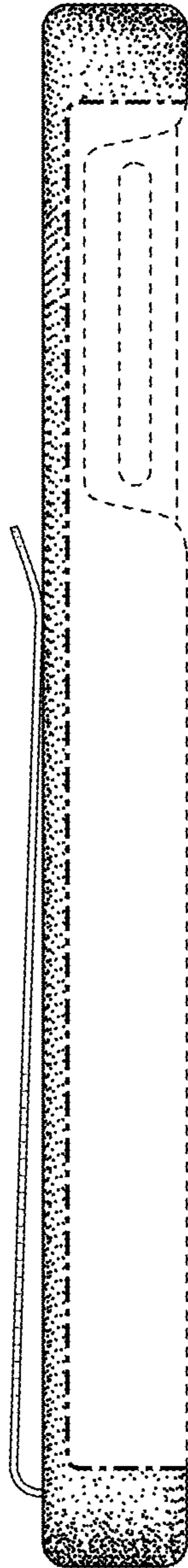


FIG. 6

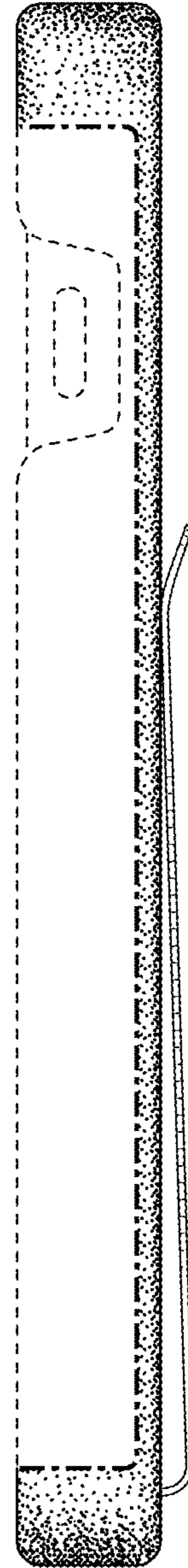


FIG. 7