



US00D719141S

(12) **United States Design Patent**
Chou et al.

(10) **Patent No.:** **US D719,141 S**
(45) **Date of Patent:** **** Dec. 9, 2014**

- (54) **ACTIVE ANTENNA**
- (71) Applicant: **Tatung Technology Inc.**, Taipei (TW)
- (72) Inventors: **Wen Pu Chou**, Taipei (TW);
Chun-Cheng Chen, Taipei (TW);
I-Shun Chang, Taipei (TW)
- (73) Assignee: **Tatung Technology Inc.**, Taipei (TW)
- (**) Term: **14 Years**
- (21) Appl. No.: **29/495,771**
- (22) Filed: **Jul. 3, 2014**
- (51) **LOC (10) Cl.** **14-03**
- (52) **U.S. Cl.**
USPC **D14/230; D14/235**
- (58) **Field of Classification Search**
USPC D14/230-238, 299; 343/700 R, 840,
343/841, 908; 455/3.02, FOR. 215, 575.2
See application file for complete search history.

- D236,503 S * 8/1975 Middlemark D14/235
- D332,262 S * 1/1993 Borchardt D14/230
- D357,021 S * 4/1995 Prince D14/235
- D480,714 S * 10/2003 Wang D14/235
- D501,000 S * 1/2005 Wang D14/235
- D506,749 S * 6/2005 Sullivan et al. D14/230
- D517,535 S * 3/2006 Wu D14/230
- D544,471 S * 6/2007 Wang D14/230
- D590,816 S * 4/2009 Chao D14/230

* cited by examiner

Primary Examiner — John Windmuller

(74) *Attorney, Agent, or Firm* — Bacon & Thomas, PLLC

(57) **CLAIM**

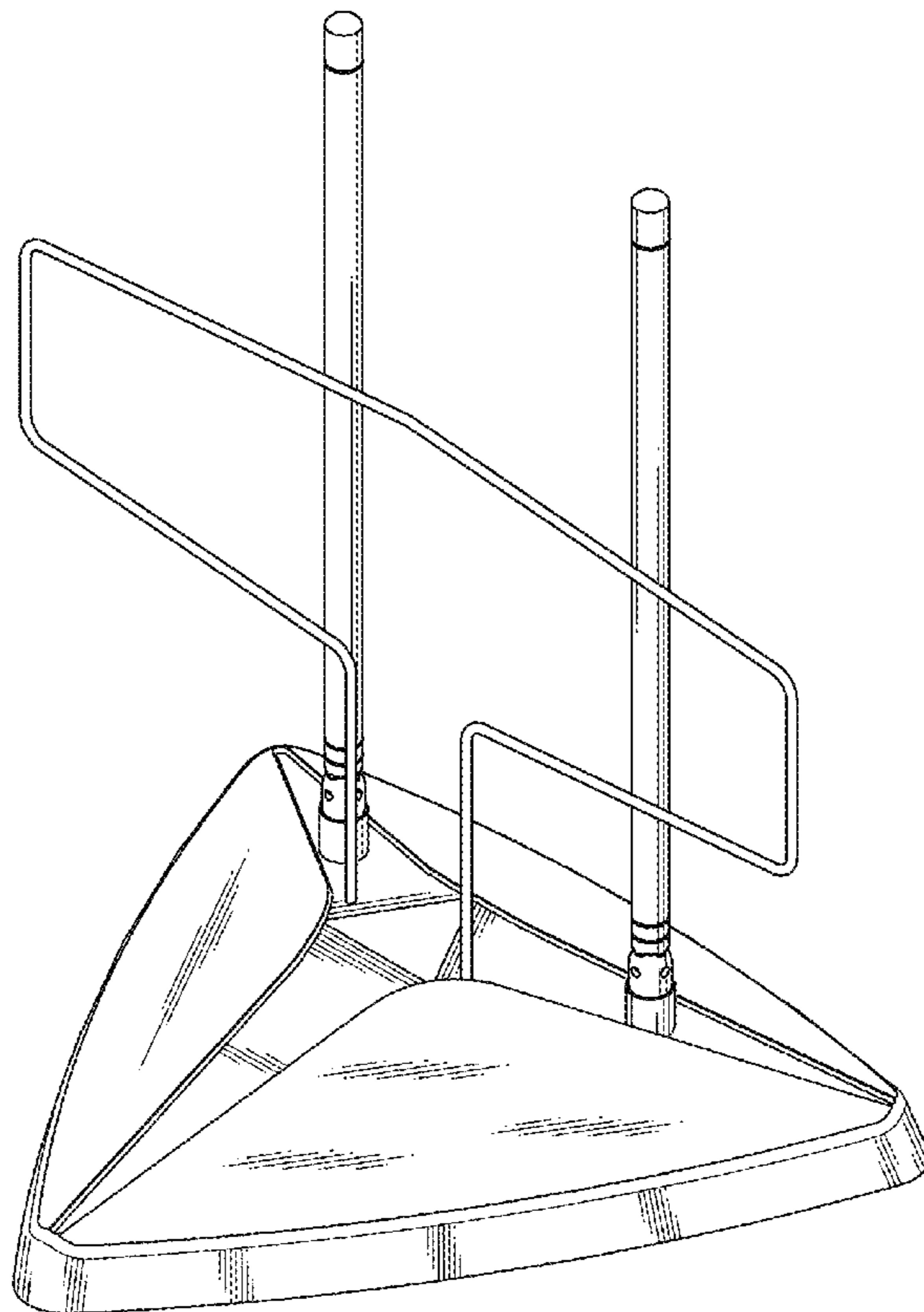
The ornamental design for an active antenna, as shown and described.

DESCRIPTION

FIG. 1 is a top, front, and right perspective view of an active antenna showing our new design;
FIG. 2 is a front side view thereof;
FIG. 3 is a rear side view thereof;
FIG. 4 is a left side view thereof;
FIG. 5 is a right side view thereof;
FIG. 6 is a top plan view thereof; and,
FIG. 7 is a bottom plan view thereof.

1 Claim, 7 Drawing Sheets

- (56) **References Cited**
U.S. PATENT DOCUMENTS
D211,025 S * 5/1968 Callaghan D14/234
D224,973 S * 10/1972 Franzone D14/235
D227,480 S * 6/1973 Franzone D14/235



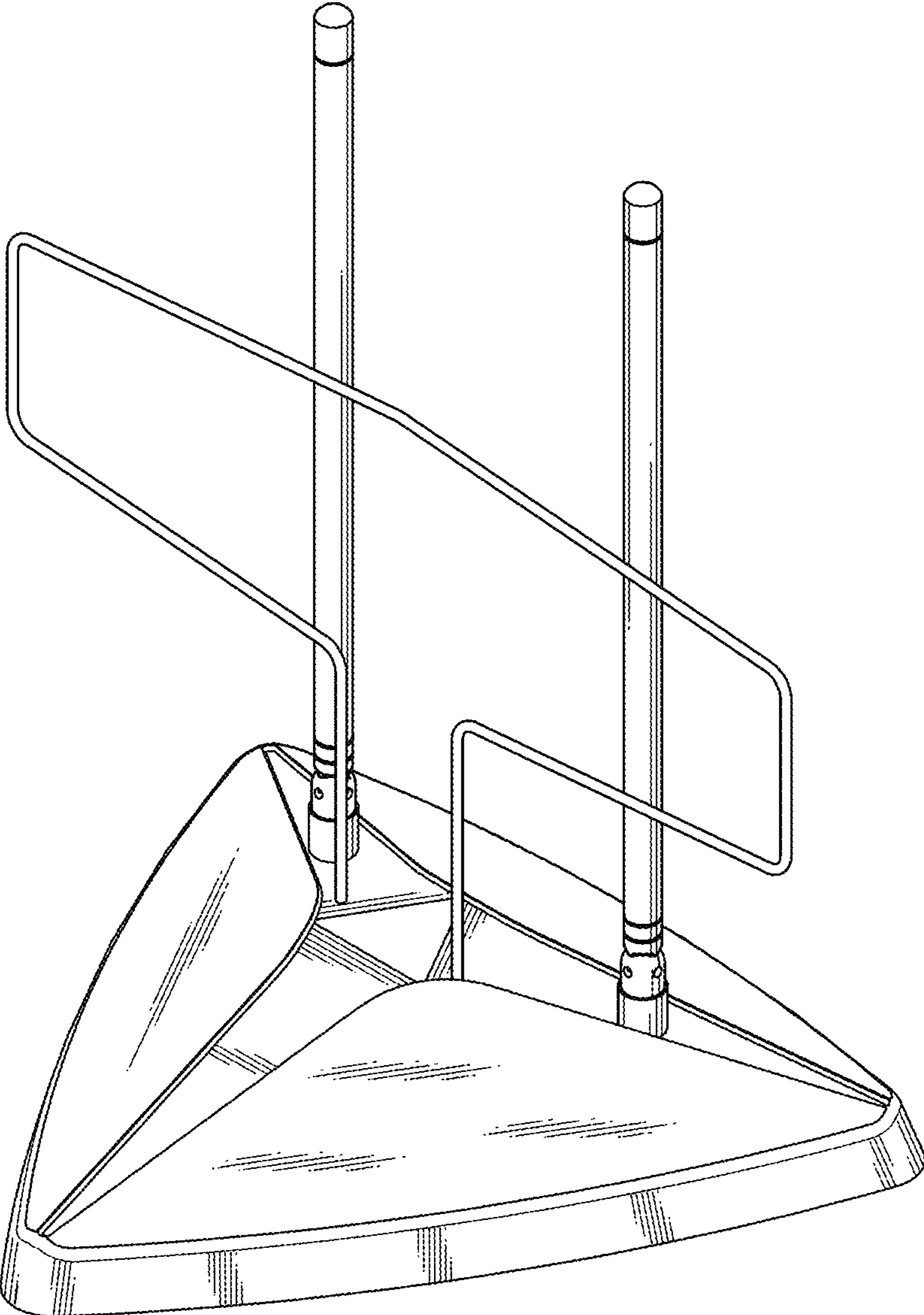


FIG. 1

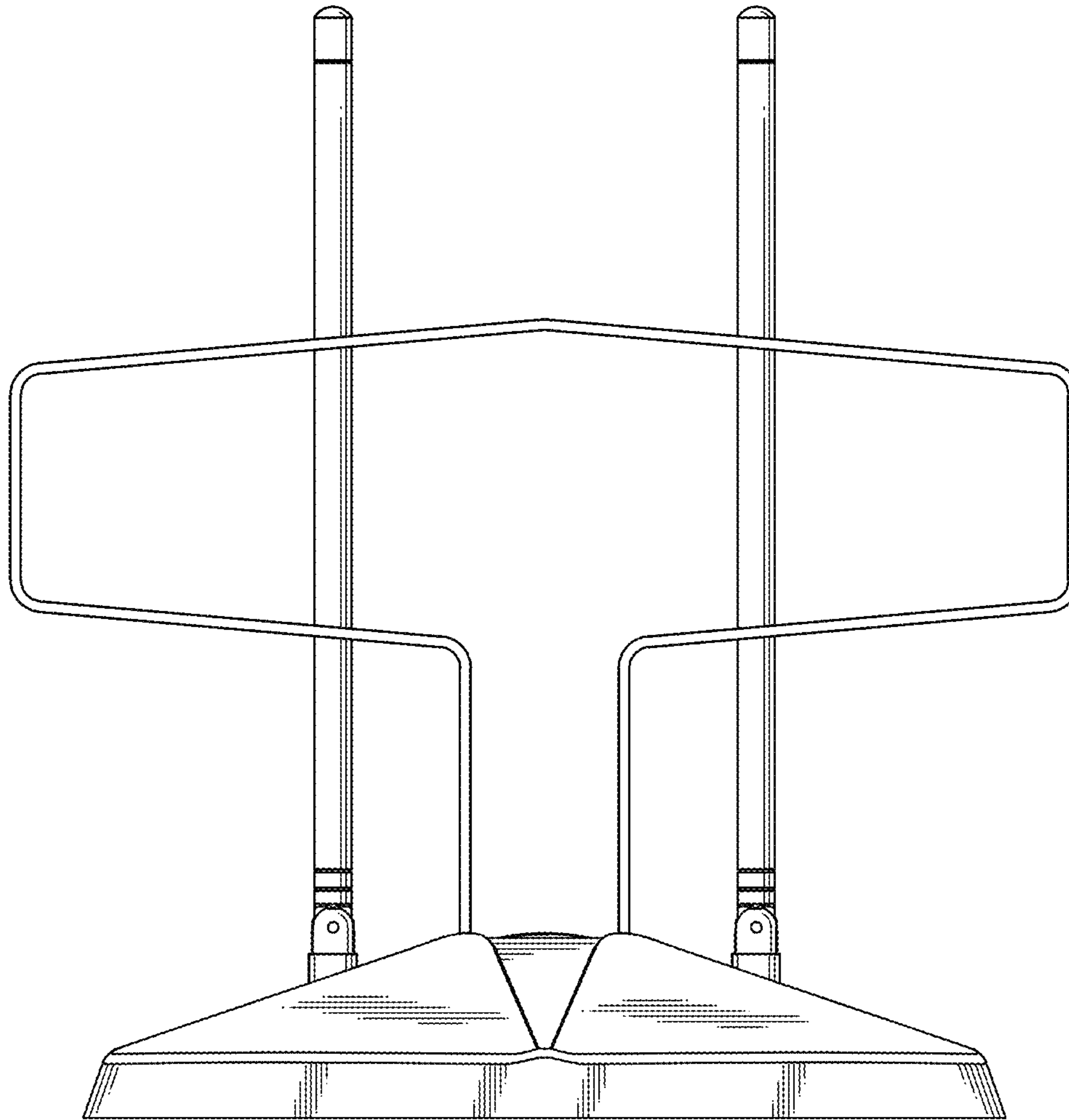


FIG. 2

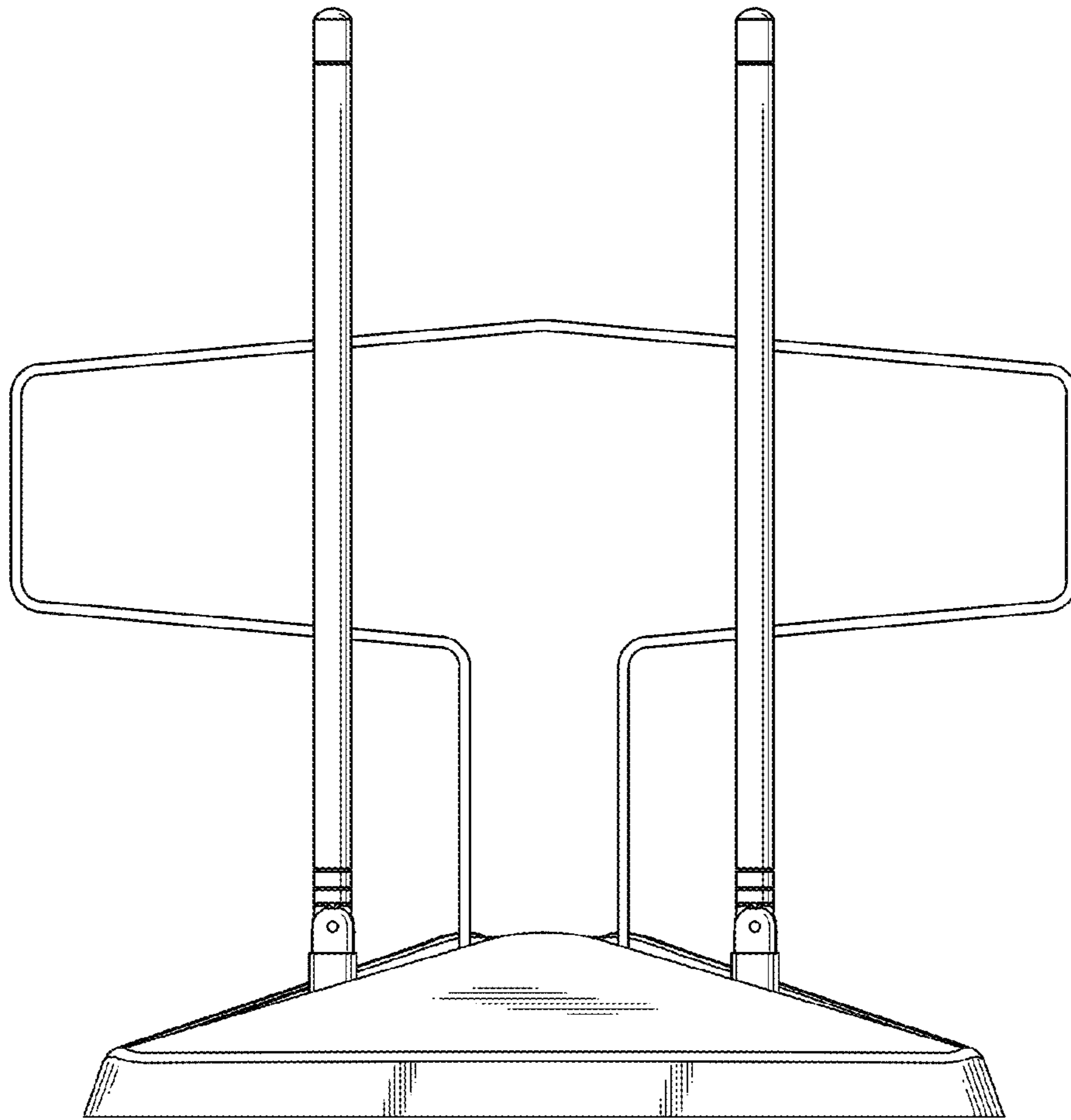


FIG. 3

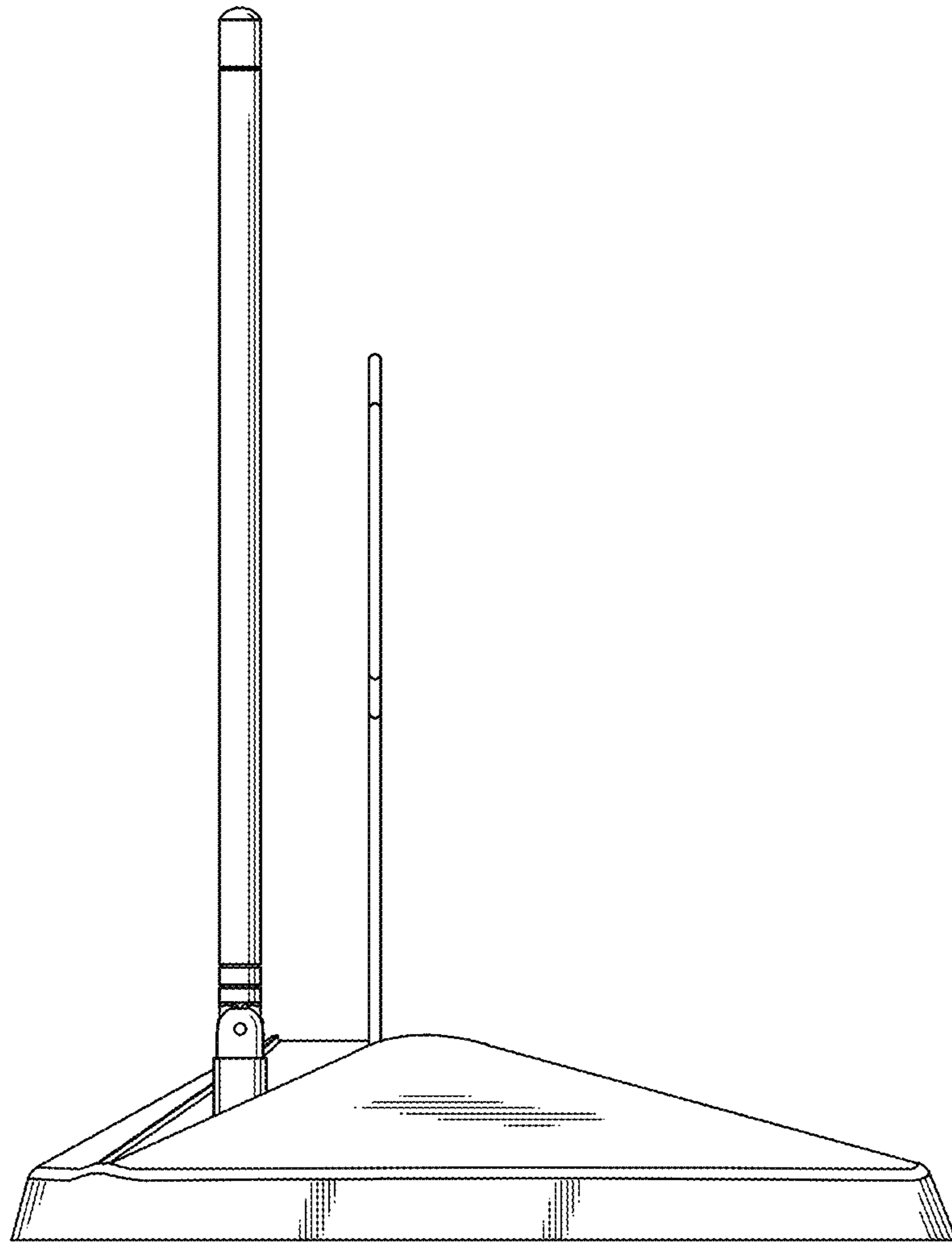


FIG. 4

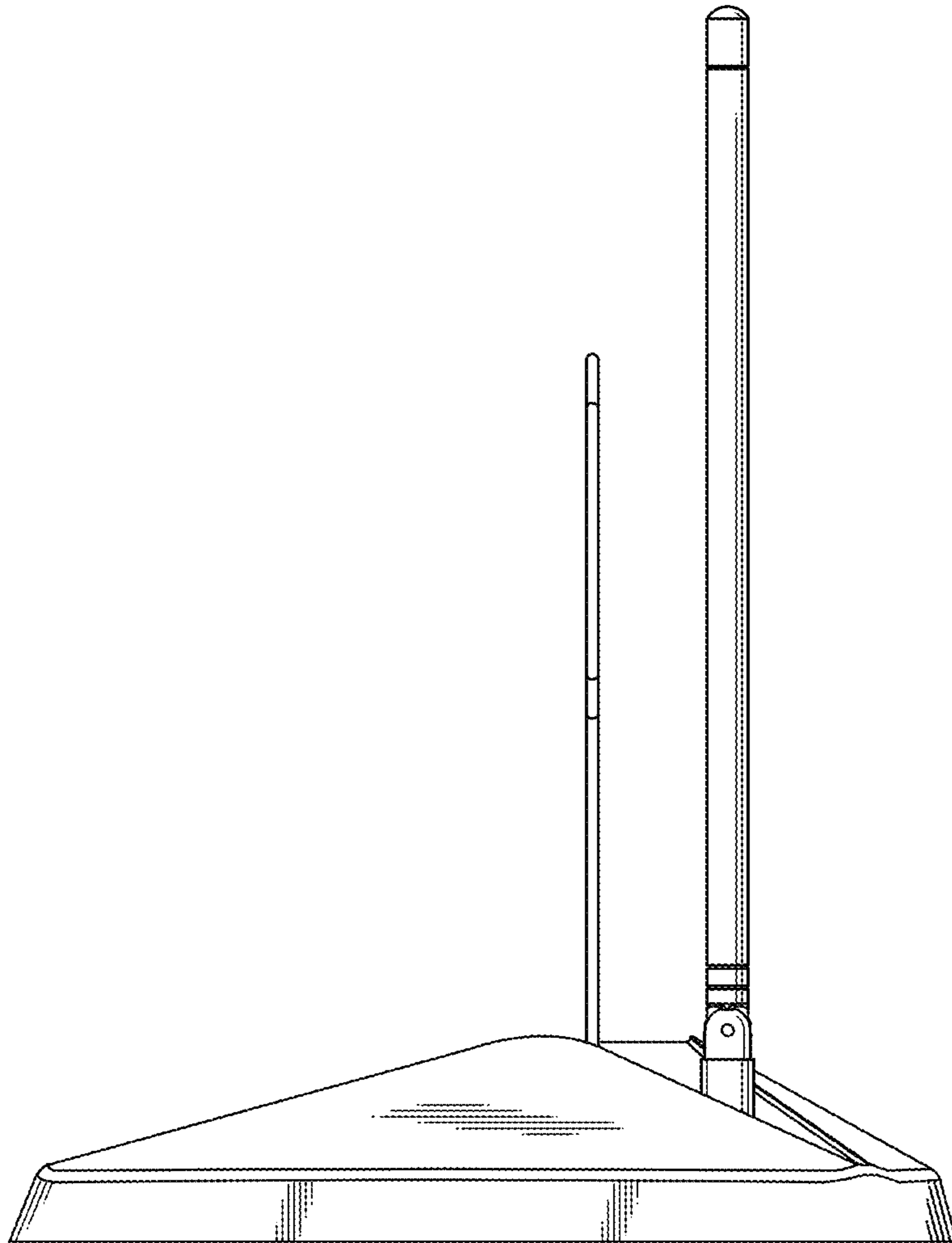


FIG. 5

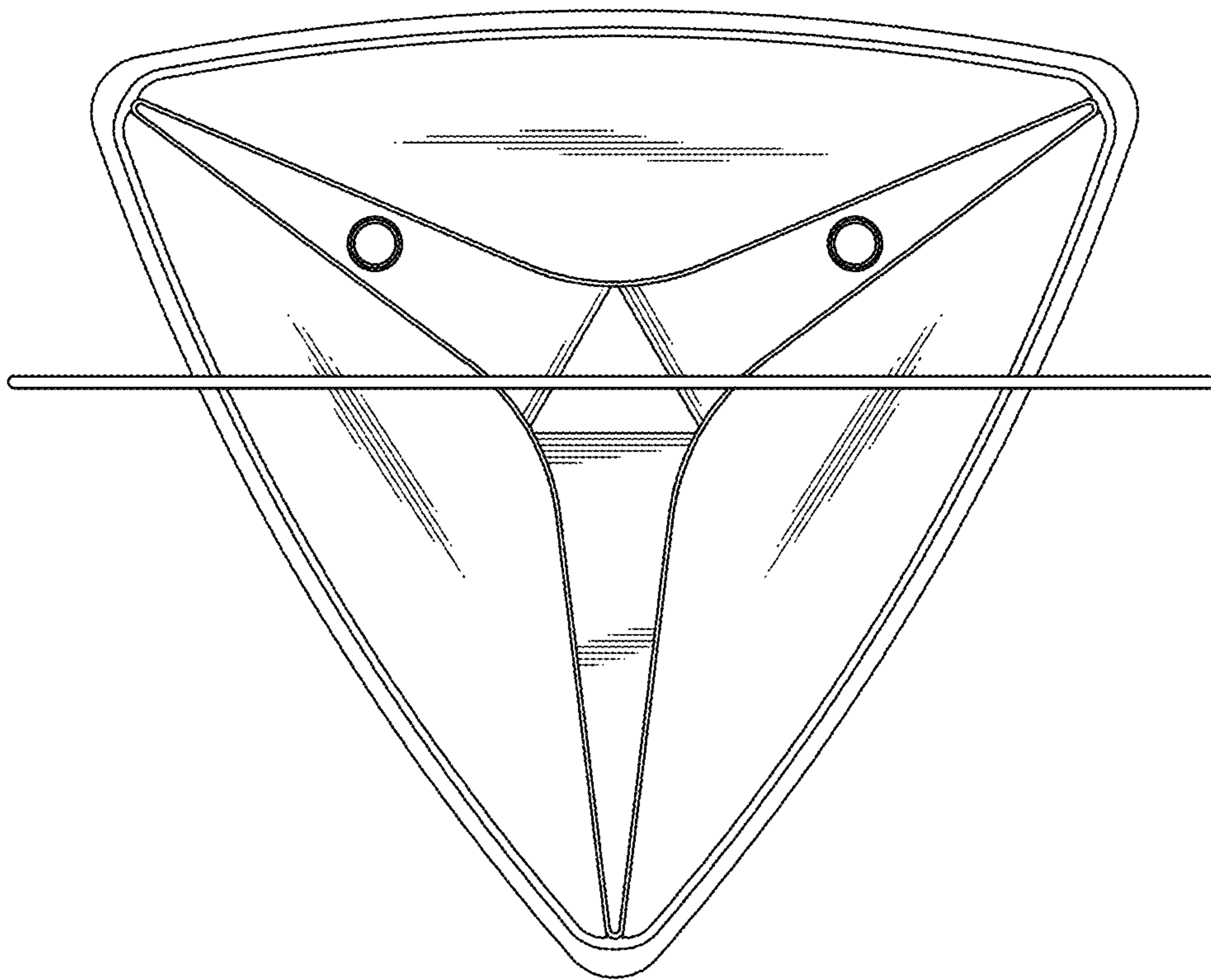


FIG. 6

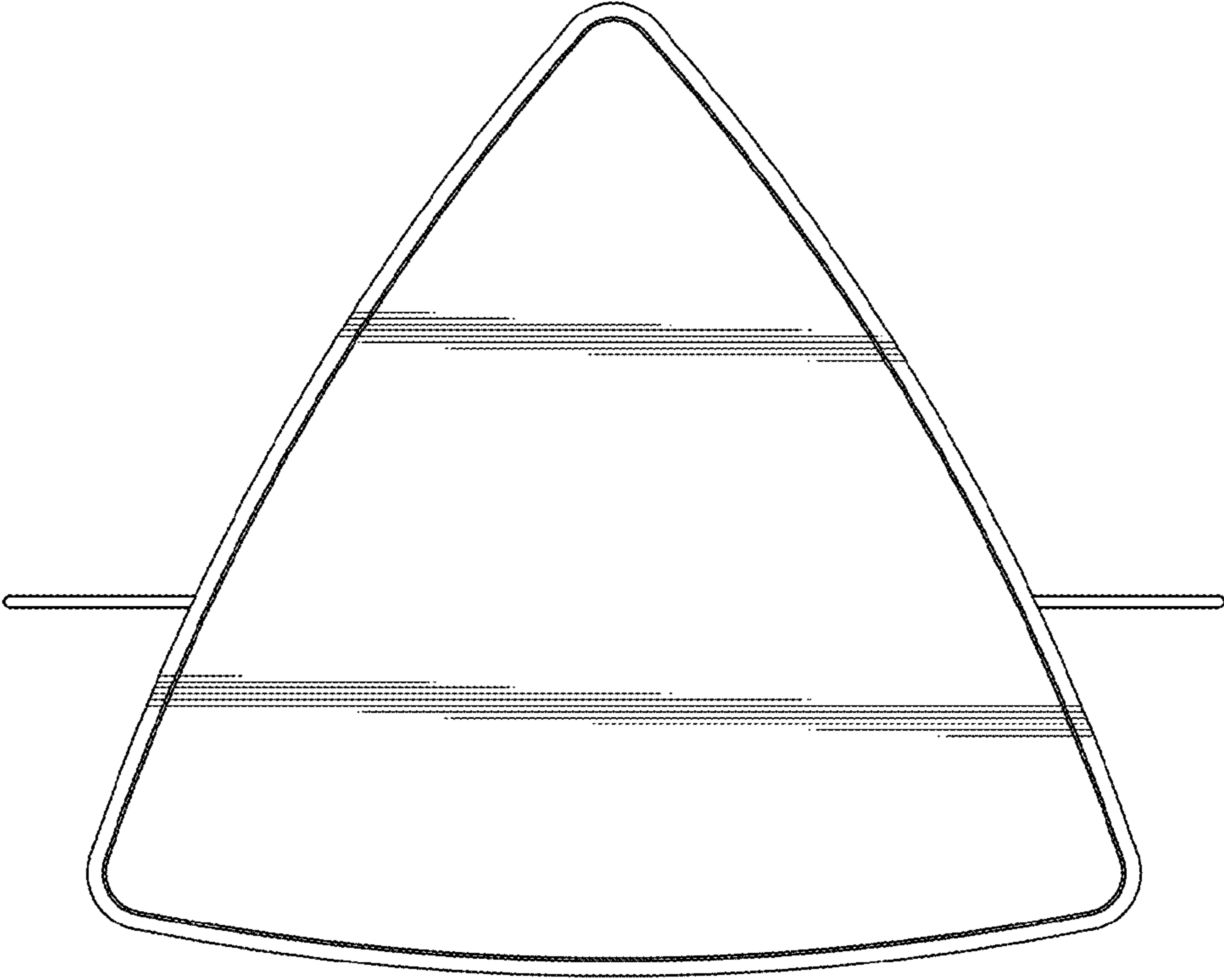


FIG. 7