



US00D719140S

(12) **United States Design Patent**  
**Sanhui**

(10) **Patent No.:** **US D719,140 S**

(45) **Date of Patent:** **\*\* Dec. 9, 2014**

(54) **MICROPHONE FOR DIGITAL CAMERA**

(75) Inventor: **Oh Sanhui**, Seoul (KR)

(73) Assignee: **Samsung Electronics Co., Ltd.**,  
Gyeonggi-do (KR)

(\*\*) Term: **14 Years**

(21) Appl. No.: **29/425,920**

(22) Filed: **Jun. 28, 2012**

(51) **LOC (10) Cl.** ..... **14-01**

(52) **U.S. Cl.**  
USPC ..... **D14/225**

(58) **Field of Classification Search**  
USPC ..... D14/154, 155, 158, 159, 204, 206, 214,  
D14/217, 218, 225-229, 299, 496; 181/158,  
181/242; 381/26, 92, 95, 122, 369  
See application file for complete search history.

(56) **References Cited**

**U.S. PATENT DOCUMENTS**

D194,151 S *	11/1962	Deschamps et al. ....	D14/228
D253,468 S *	11/1979	Peterson .....	D14/228
D296,099 S *	6/1988	Kubota .....	D14/227
D296,100 S *	6/1988	Kubota .....	D14/228
4,811,405 A *	3/1989	Peiker .....	381/365
D313,802 S *	1/1991	Peiker .....	D14/227
5,357,577 A *	10/1994	Waji et al. ....	381/122
D412,708 S *	8/1999	Okon .....	D14/228
D418,513 S *	1/2000	Suzuki et al. ....	D14/228
D430,864 S *	9/2000	Chung .....	D14/228
D431,554 S *	10/2000	Chung .....	D14/228
D431,817 S *	10/2000	Yuyama et al. ....	D14/227
D441,354 S *	5/2001	Jing .....	D14/228
D448,364 S *	9/2001	Chung .....	D14/228

D457,872 S *	5/2002	Tanio .....	D14/167
D475,038 S *	5/2003	Jarodsky et al. ....	D14/228
D475,039 S *	5/2003	Thornton et al. ....	D14/228
D563,396 S *	3/2008	Probst et al. ....	D14/228
D594,856 S *	6/2009	Marshall .....	D14/228
D599,326 S *	9/2009	Martikainen .....	D14/211
D602,920 S *	10/2009	Fleischer et al. ....	D14/227
D603,381 S *	11/2009	Fleischer et al. ....	D14/227
D605,183 S *	12/2009	Fleischer et al. ....	D14/227
D619,119 S *	7/2010	Graber .....	D14/216
D670,271 S *	11/2012	Tzeng .....	D14/216
D675,190 S *	1/2013	Nylen .....	D14/215
D676,428 S *	2/2013	Trewartha et al. ....	D14/225
D687,420 S *	8/2013	Trewartha et al. ....	D14/225

\* cited by examiner

*Primary Examiner* — Stella Reid

*Assistant Examiner* — Holly E Thurman

(74) *Attorney, Agent, or Firm* — Harness, Dickey & Pierce

(57) **CLAIM**

The ornamental design for a microphone for digital camera, as shown and described.

**DESCRIPTION**

FIG. 1 is a front/right-side/top perspective view of a microphone for digital camera showing our new design; FIG. 2 is a front-side elevational view thereof; FIG. 3 is a rear-side elevational view thereof; FIG. 4 is a left-side elevational view thereof; FIG. 5 is a right-side elevational view thereof; FIG. 6 is a top-side elevational view thereof; and, FIG. 7 is a bottom-side elevational view thereof. The broken line portion of the figure drawings depicts unclaimed subject matter only and forms no part of the claimed design.

**1 Claim, 7 Drawing Sheets**

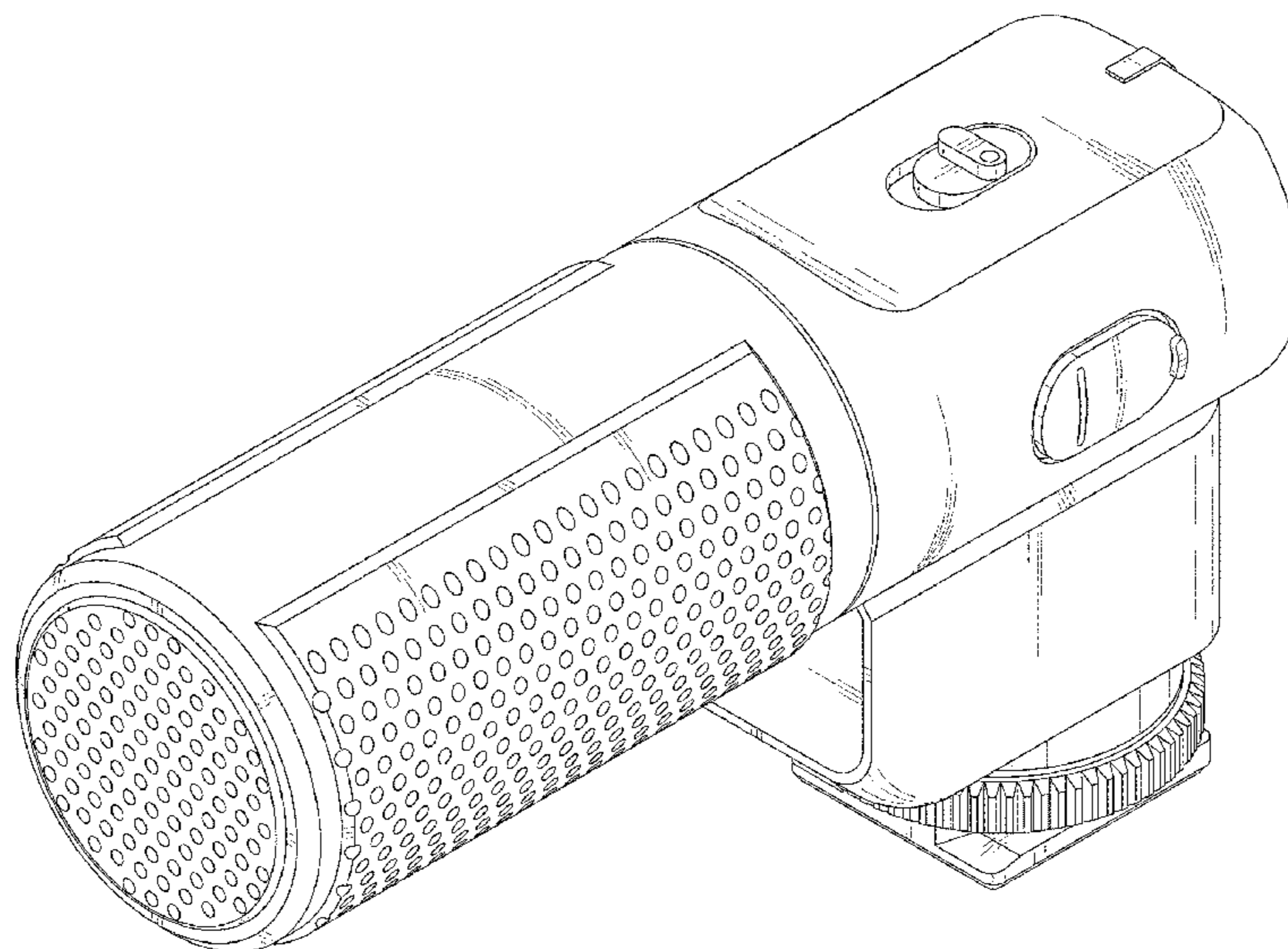


FIG. 1

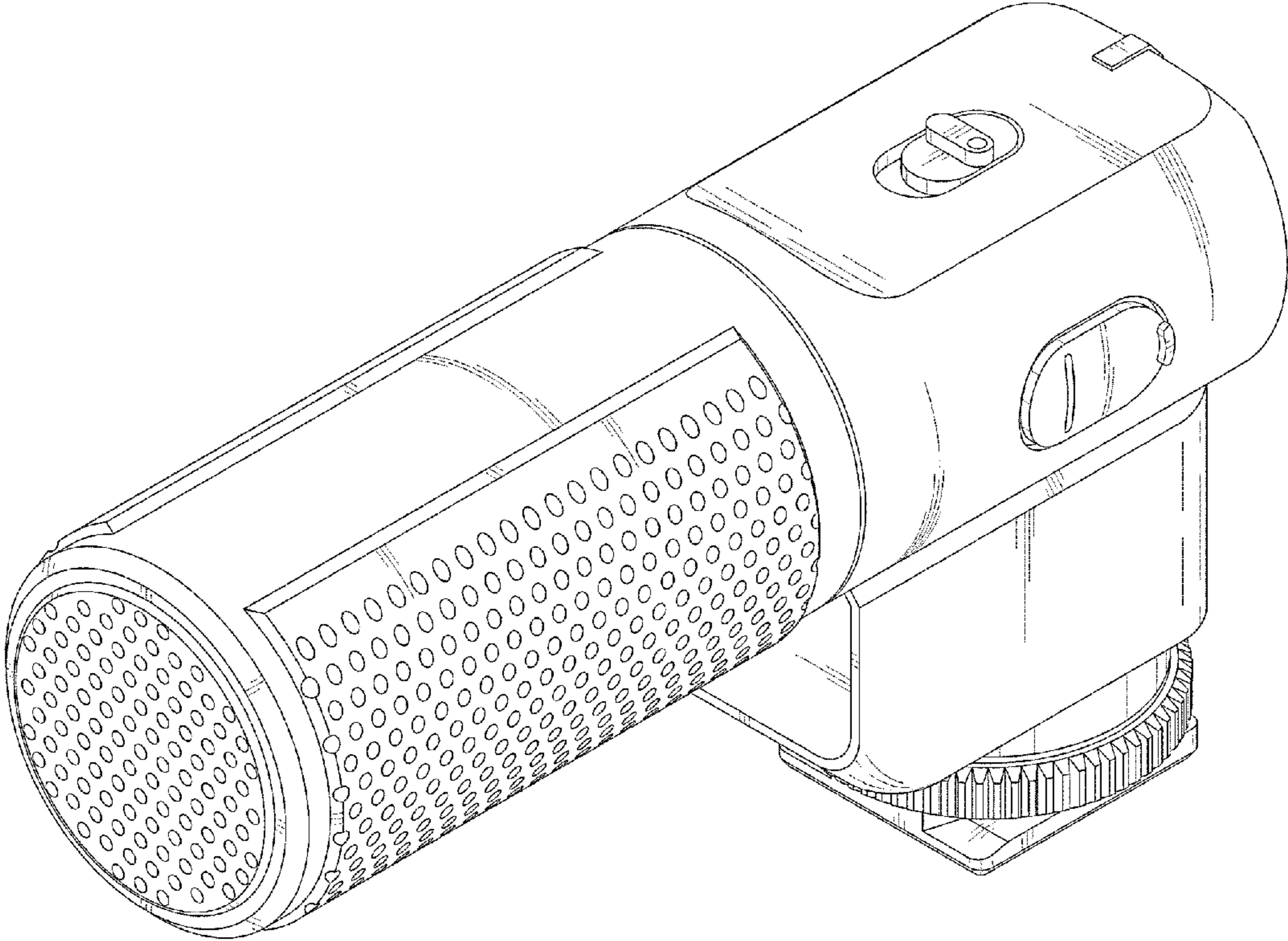


FIG.2

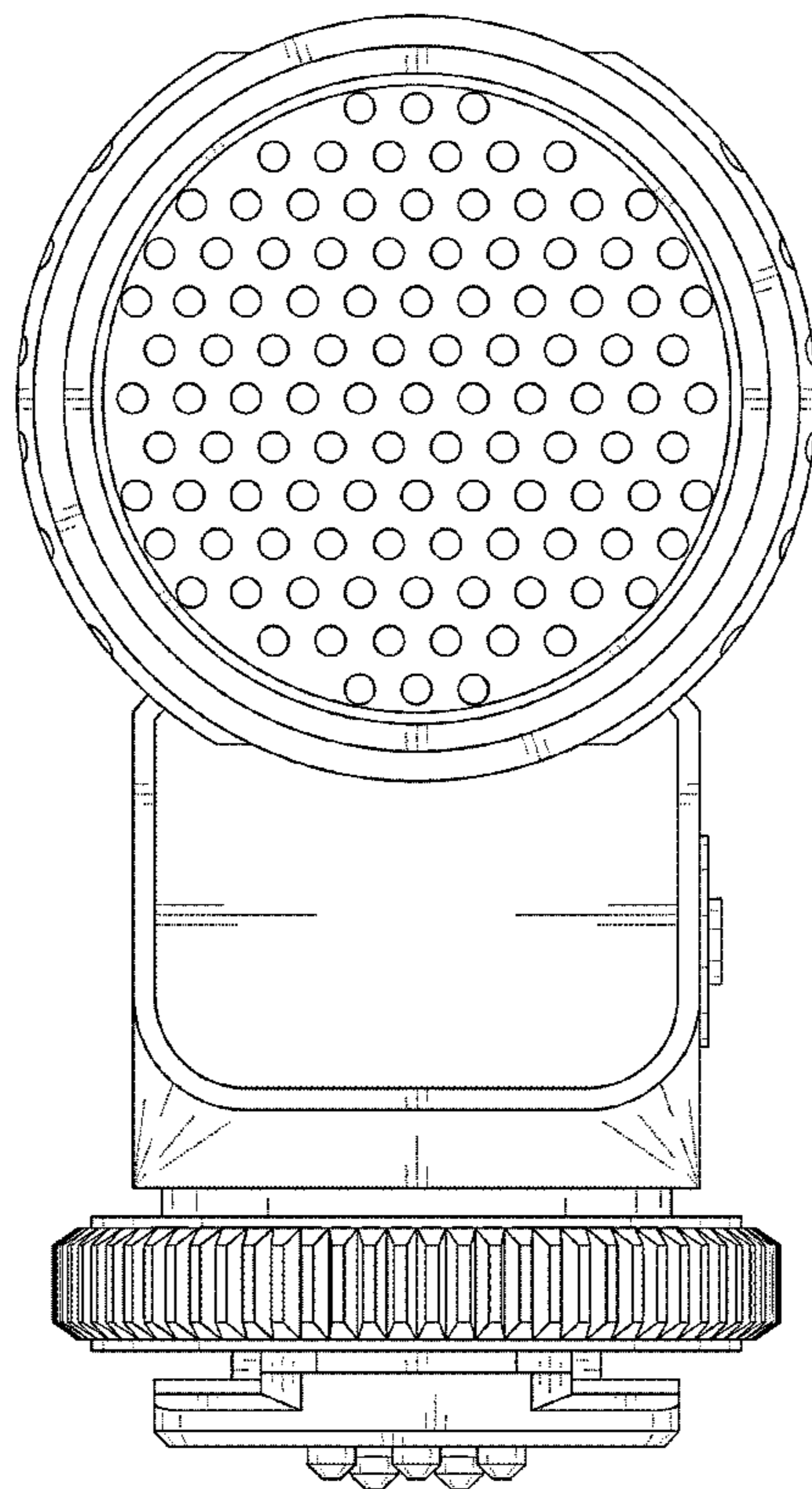


FIG.3

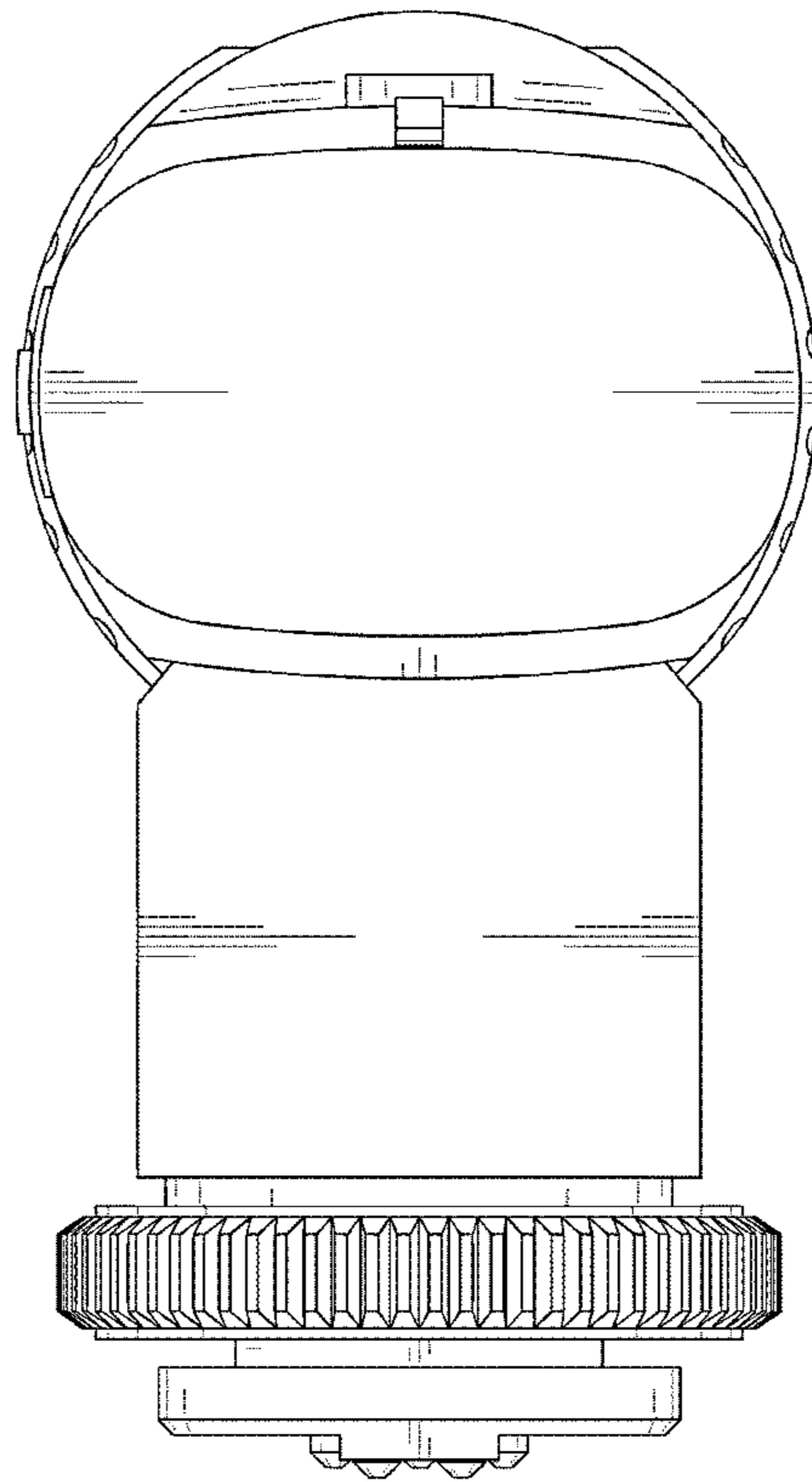




FIG.4

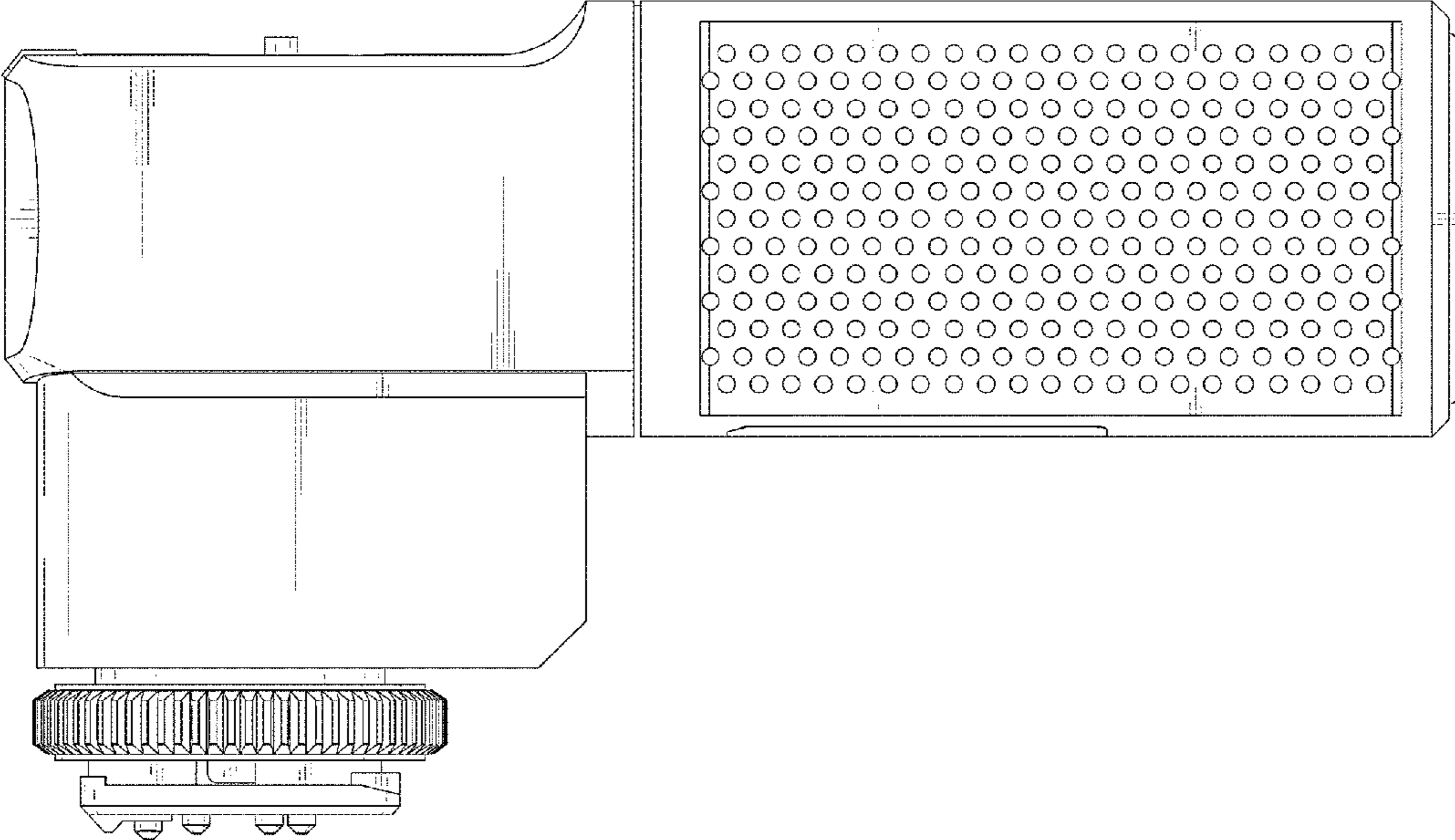


FIG.5

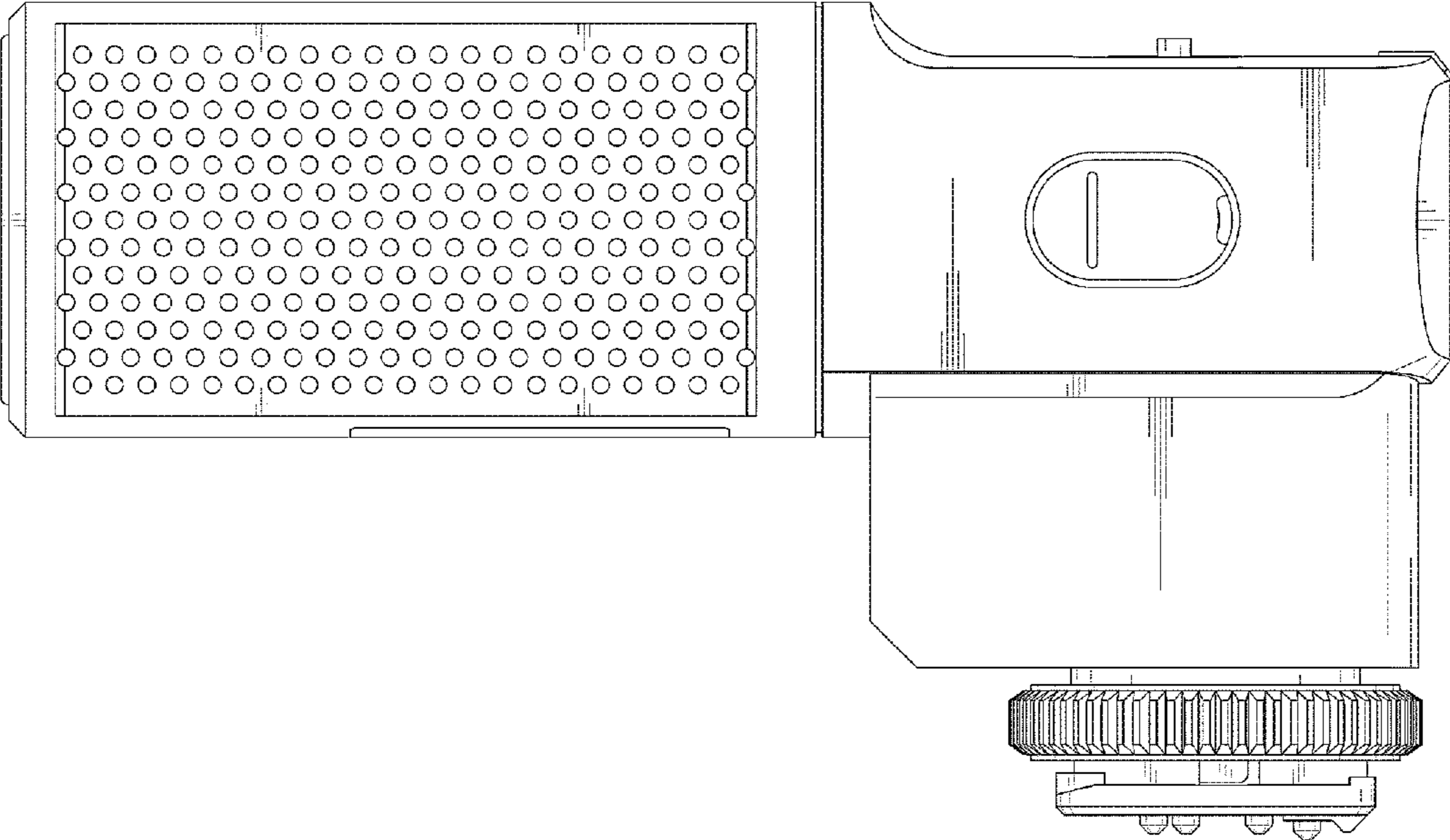


FIG.6

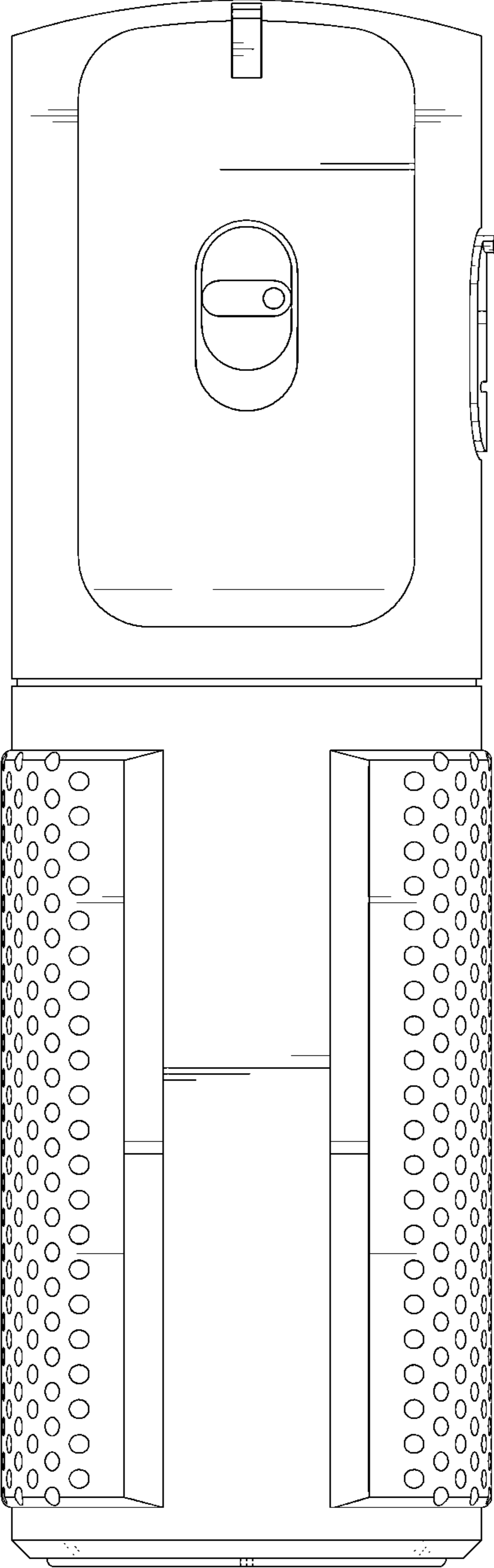


FIG. 7

