



US00D719139S

(12) **United States Design Patent**
Henry et al.

(10) **Patent No.:** **US D719,139 S**
(45) **Date of Patent:** **** Dec. 9, 2014**

(54) **HEARING PROTECTOR HOUSING**

(71) Applicant: **3M Innovative Properties Company**,
St. Paul, MN (US)

(72) Inventors: **Paul D. Henry**, Carmel, IN (US);
Michael J. Pescetto, Spring, TX (US)

(73) Assignee: **3M Innovative Properties Company**,
St. Paul, MN (US)

(**) Term: **14 Years**

(21) Appl. No.: **29/473,006**

(22) Filed: **Nov. 18, 2013**

(51) **LOC (10) Cl.** **14-01**

(52) **U.S. Cl.**
USPC **D14/223**

(58) **Field of Classification Search**
CPC H04R 1/10
USPC D14/223, 205, 218, 240, 192, 408;
D3/207; D10/78, 81; D13/110, 168;
D24/174; 128/864; 381/322, 328, 325,
381/380, 381, 72; D9/436

See application file for complete search history.

(56) **References Cited**

U.S. PATENT DOCUMENTS

D106,823	S	*	11/1937	Sears	D24/174
2,248,837	A	*	7/1941	Walters	381/380
2,763,334	A		9/1956	Starkey		
2,971,065	A		2/1961	Busse		
3,097,059	A		7/1963	Hoffman		
D206,665	S	*	1/1967	Sanzone	D24/174
D208,784	S	*	10/1967	Sanzone	D24/174
3,440,365	A	*	4/1969	Hazell et al.	379/430
D219,028	S	*	10/1970	Miller et al.	D14/218
4,537,187	A		8/1985	Scott		
4,702,238	A		10/1987	Scott		
4,736,435	A		4/1988	Yokoyama		

D354,489	S	*	1/1995	Patton et al.	D14/218
D375,258	S	*	11/1996	Weder et al.	D9/414
D382,307	S	*	8/1997	Sharpe et al.	D21/405
5,659,156	A		8/1997	Mauney		
5,748,743	A	*	5/1998	Weeks	381/328
D411,190	S	*	6/1999	McMahon et al.	D14/408

(Continued)

FOREIGN PATENT DOCUMENTS

CA	2188260	11/1995
EP	1652366	5/2006

(Continued)

OTHER PUBLICATIONS

U.S. Appl. No. 29/473,001, Henry et al., entitled Hearing Protector windscreen, filed Nov. 18, 2013.

(Continued)

Primary Examiner — Paula Greene

(74) *Attorney, Agent, or Firm* — Kristofor L. Storvick

(57) **CLAIM**

The ornamental design for a hearing protector housing, as shown and described.

DESCRIPTION

FIG. 1 is a top perspective view showing the new design for a hearing protector housing;

FIG. 2 is a front view thereof;

FIG. 3 is a back view thereof;

FIG. 4 is a top view thereof;

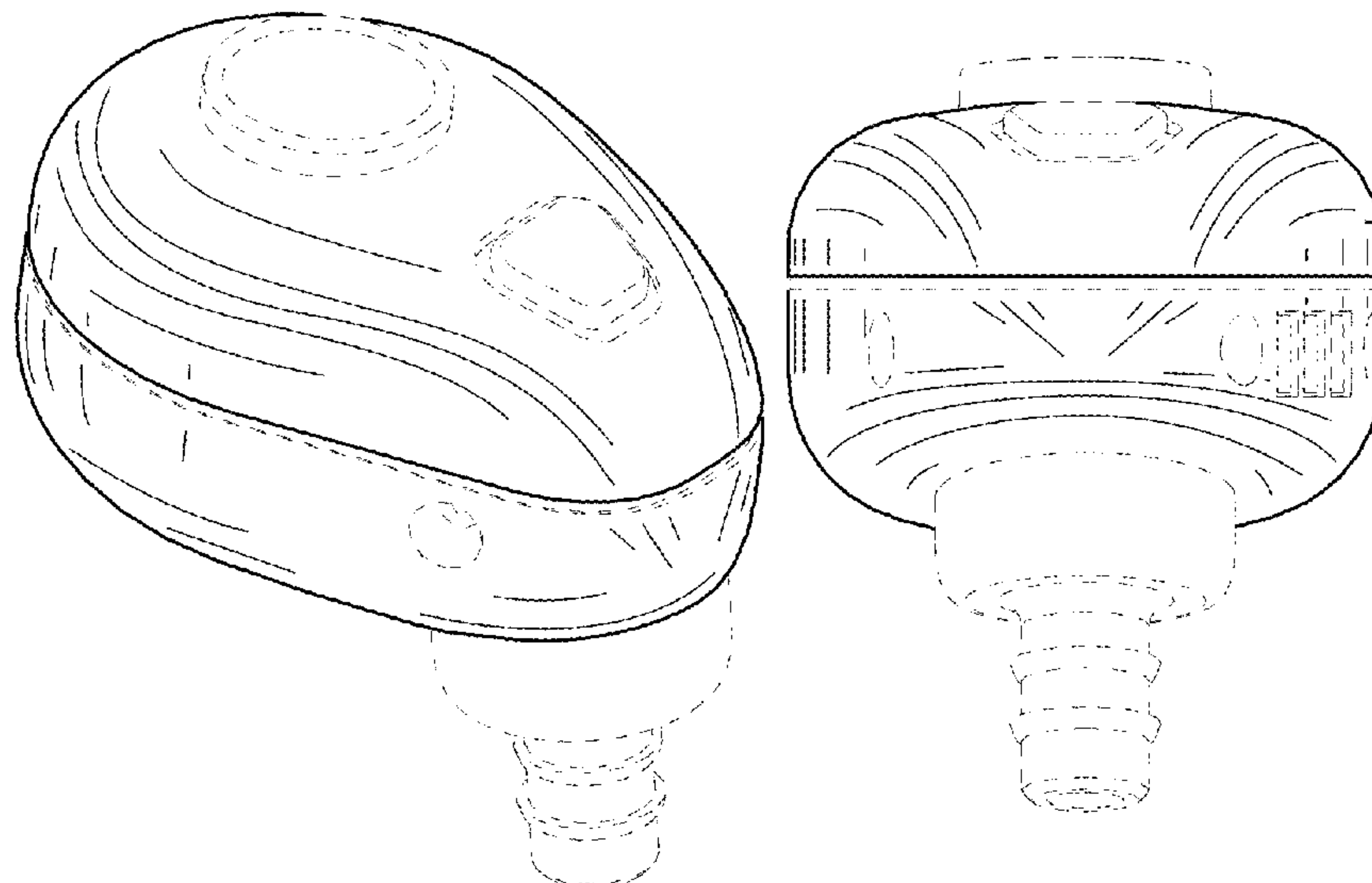
FIG. 5 is a bottom view thereof;

FIG. 6 is a left view thereof; and,

FIG. 7 is a right view thereof.

The broken lines form no part of the claimed design, and any shading is provided to illustrate contour only and is not an indication of texture, gloss, etc.

1 Claim, 2 Drawing Sheets



(56)

References Cited

U.S. PATENT DOCUMENTS

D417,665 S * 12/1999 Isonaga D14/408
 6,122,388 A 9/2000 Feldman
 6,262,804 B1 * 7/2001 Friend et al. 356/402
 D473,217 S * 4/2003 Rivera D14/223
 6,704,429 B2 3/2004 Lin
 D494,571 S * 8/2004 Polito D14/223
 D495,665 S * 9/2004 Stekelenburg D13/168
 6,830,124 B2 12/2004 Chiang
 7,025,061 B2 4/2006 Haussmann
 D551,216 S * 9/2007 Wei D14/223
 D562,808 S * 2/2008 Gwee D14/223
 D567,790 S * 4/2008 Cardoso et al. D14/138 R
 7,394,910 B2 7/2008 Smith
 D600,682 S * 9/2009 Wai D14/223
 D604,722 S * 11/2009 Mistry D14/223
 7,616,760 B2 * 11/2009 Trip et al. 379/430
 D622,855 S * 8/2010 Cano, Jr. D24/174
 7,869,615 B2 * 1/2011 Chang 381/371
 D632,677 S * 2/2011 Brown et al. D14/223
 7,916,884 B2 3/2011 Kah, Jr.
 8,065,118 B2 11/2011 McBagonluri
 D649,957 S * 12/2011 Fahrendorff et al. D14/223
 D655,277 S * 3/2012 Wai D14/223
 8,130,942 B2 3/2012 Howes
 8,270,648 B2 9/2012 Murozaki
 8,281,791 B2 10/2012 Mance
 D678,849 S * 3/2013 McCullar et al. D13/168

8,391,526 B2 3/2013 Dahl
 D687,417 S * 8/2013 Koss et al. D14/223
 D691,120 S * 10/2013 Koch D14/223
 D705,760 S * 5/2014 Drambarean D14/223
 2006/0067556 A1 3/2006 Bailey
 2009/0141923 A1 6/2009 Smith
 2009/0252362 A1 10/2009 Ooi
 2011/0019849 A1 1/2011 Nielsen
 2011/0075871 A1 3/2011 Fretz
 2011/0103605 A1 5/2011 Killion
 2011/0280423 A1 11/2011 Nielsen
 2012/0087532 A1 * 4/2012 Yang 381/380
 2012/0140967 A1 6/2012 Aubert
 2012/0237068 A1 9/2012 Fretz
 2012/0269376 A1 10/2012 Matsuo

FOREIGN PATENT DOCUMENTS

EP 2299730 3/2011
 GB 448430 6/1936
 WO WO 01-50813 7/2001
 WO WO 02-052890 7/2002
 WO WO 2010-096884 9/2010

OTHER PUBLICATIONS

U.S. Appl. No. 14/082,670, Henry et al., entitled Concha-fit Electronic Hearing Protection Device, filed Nov. 18, 2013.

* cited by examiner

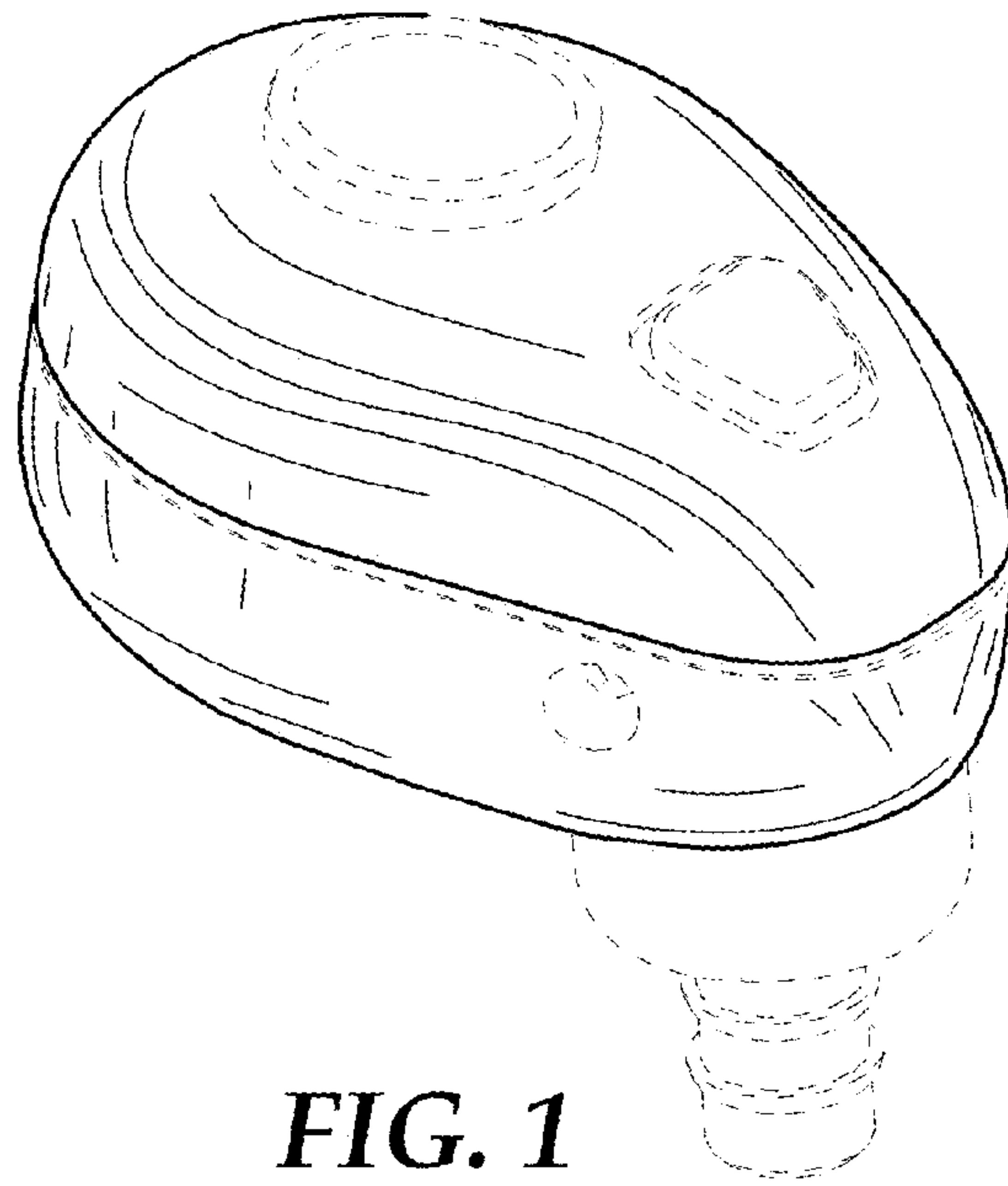


FIG. 1

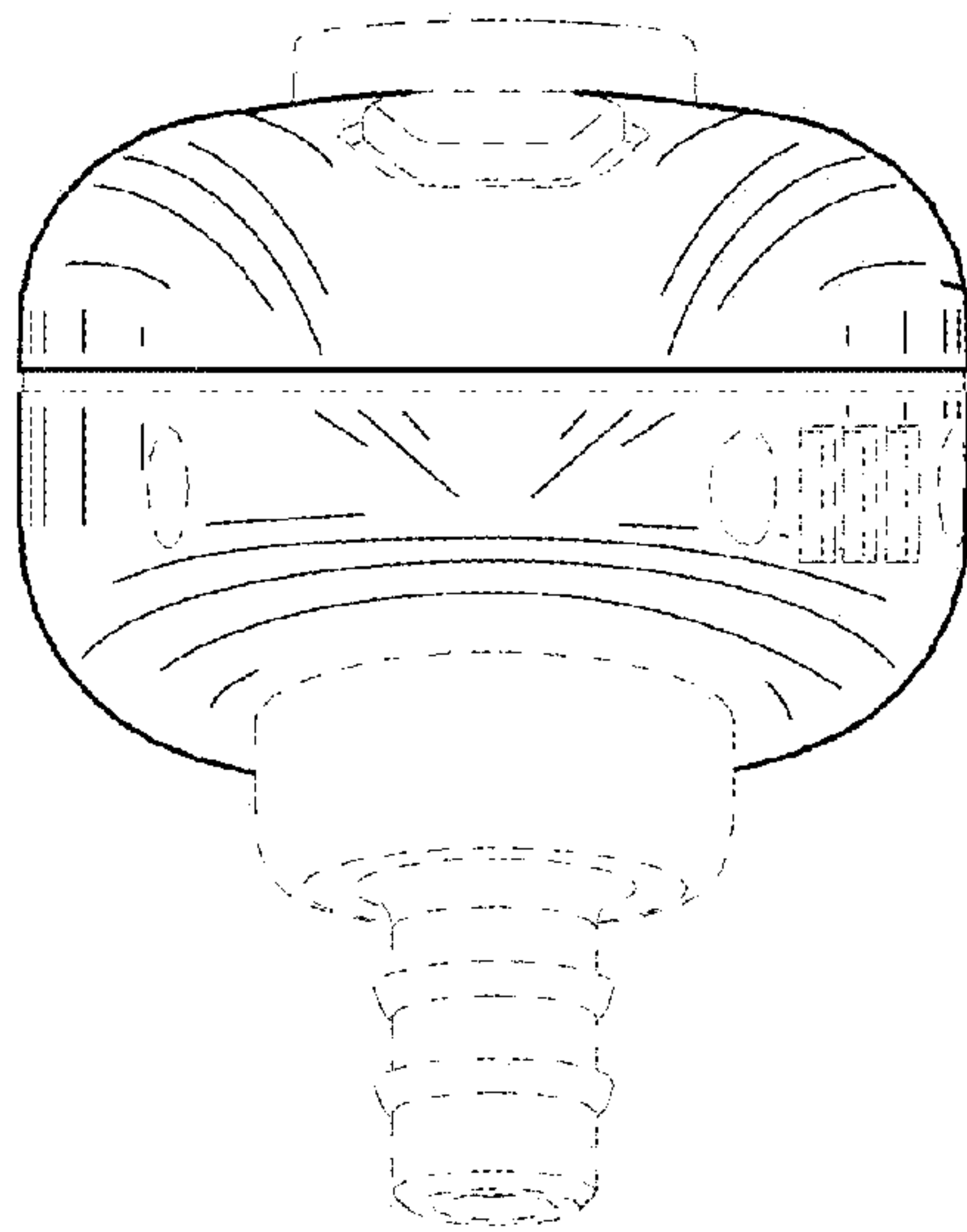


FIG. 2

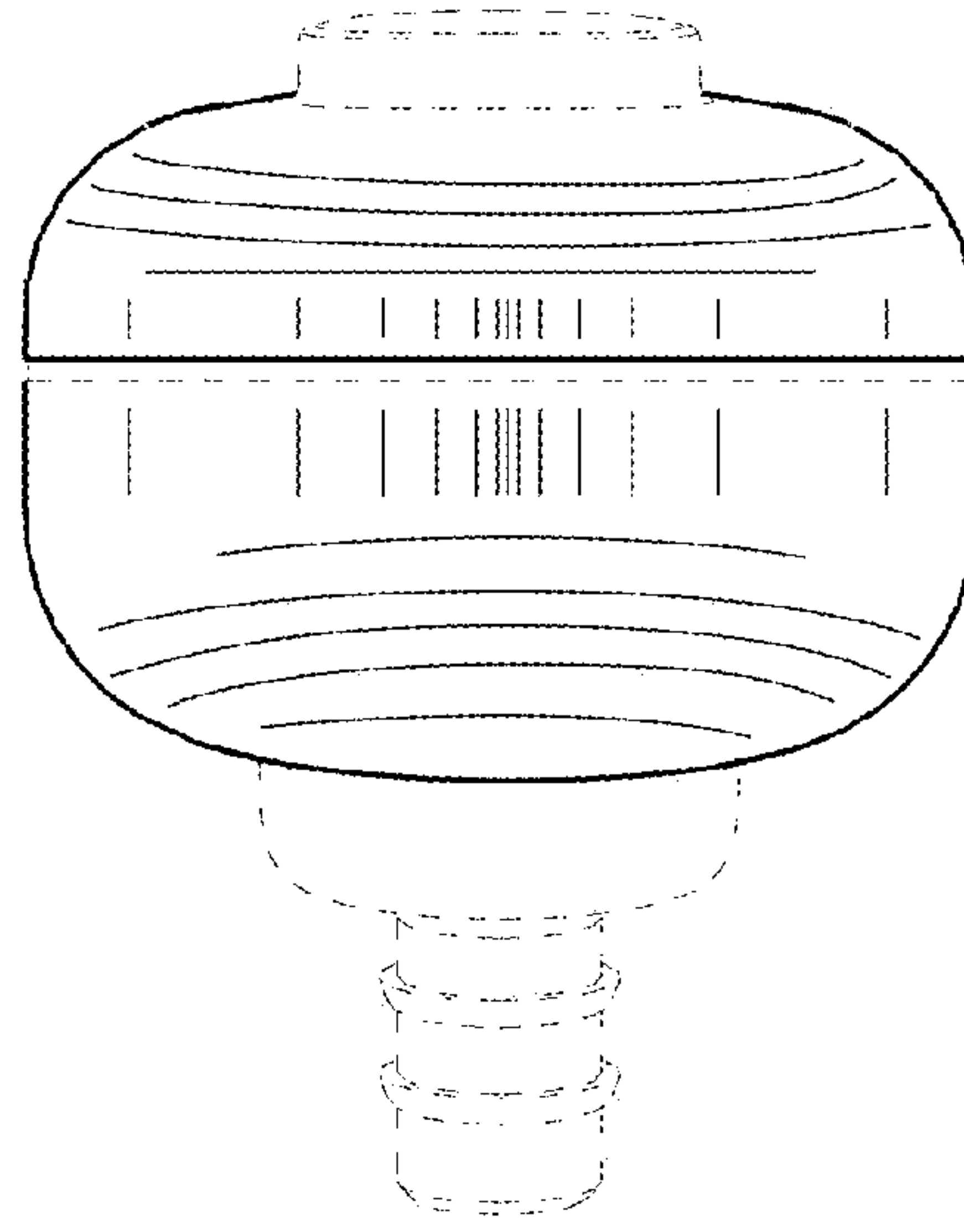


FIG. 3

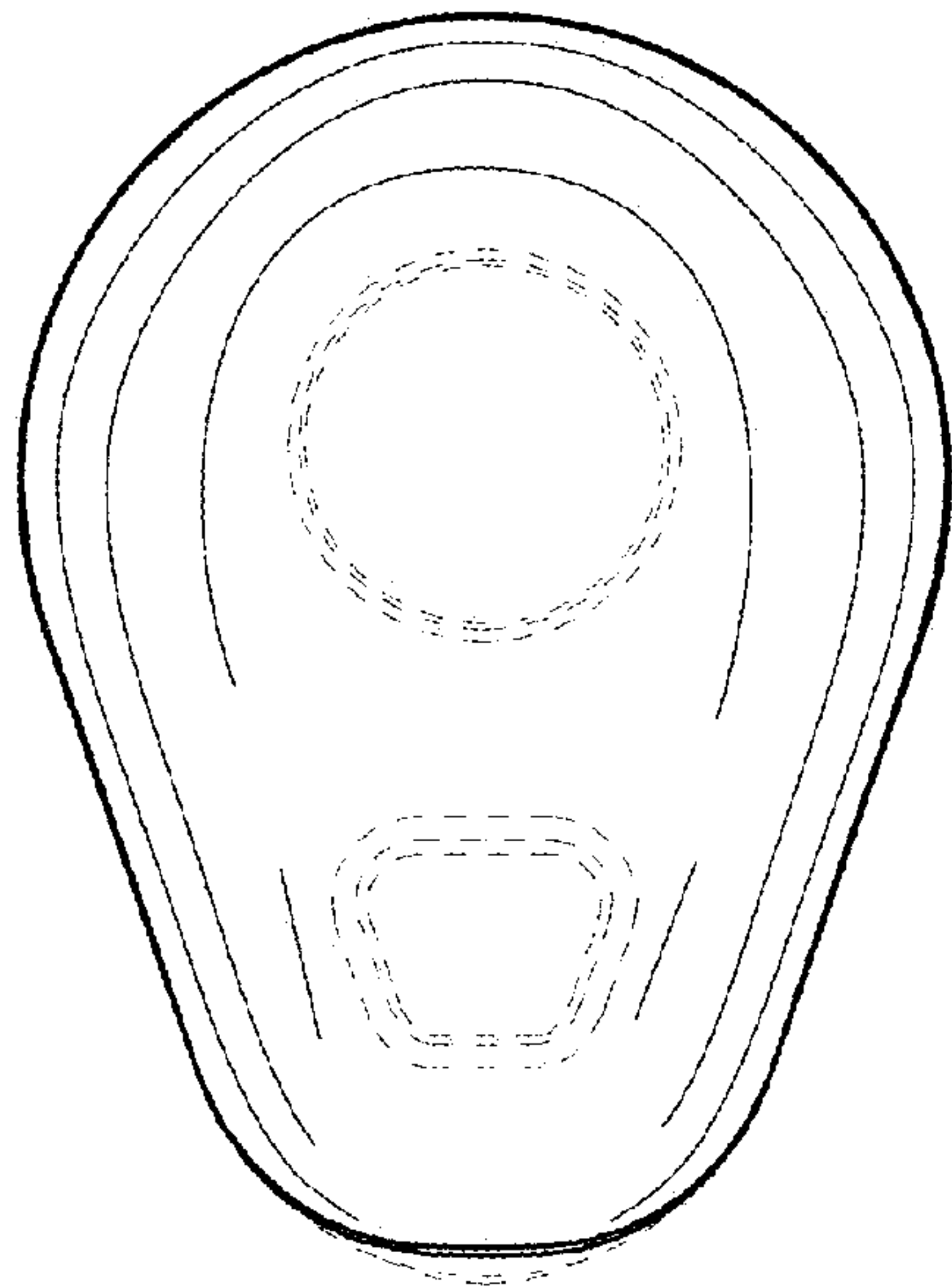


FIG. 4

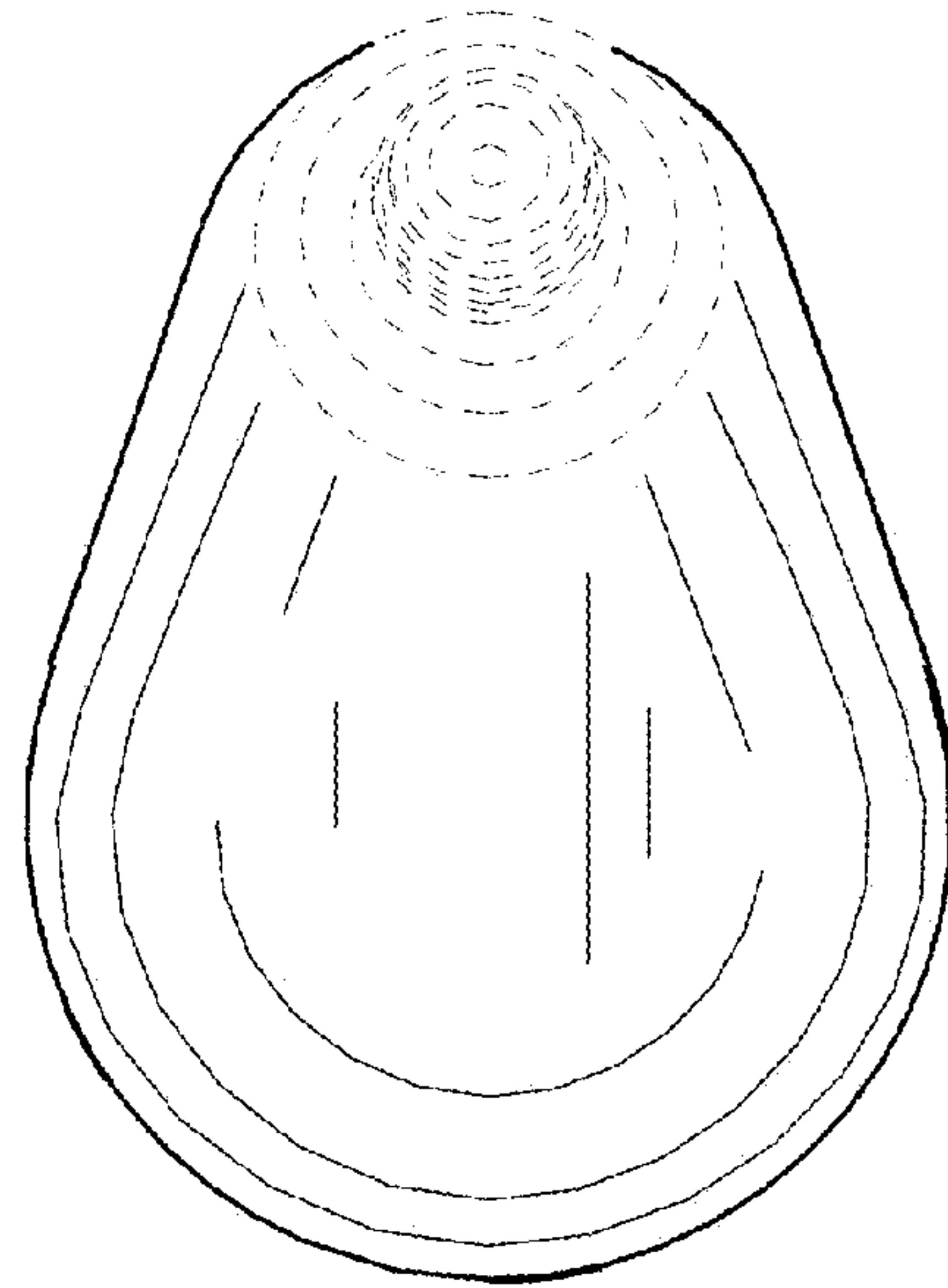


FIG. 5

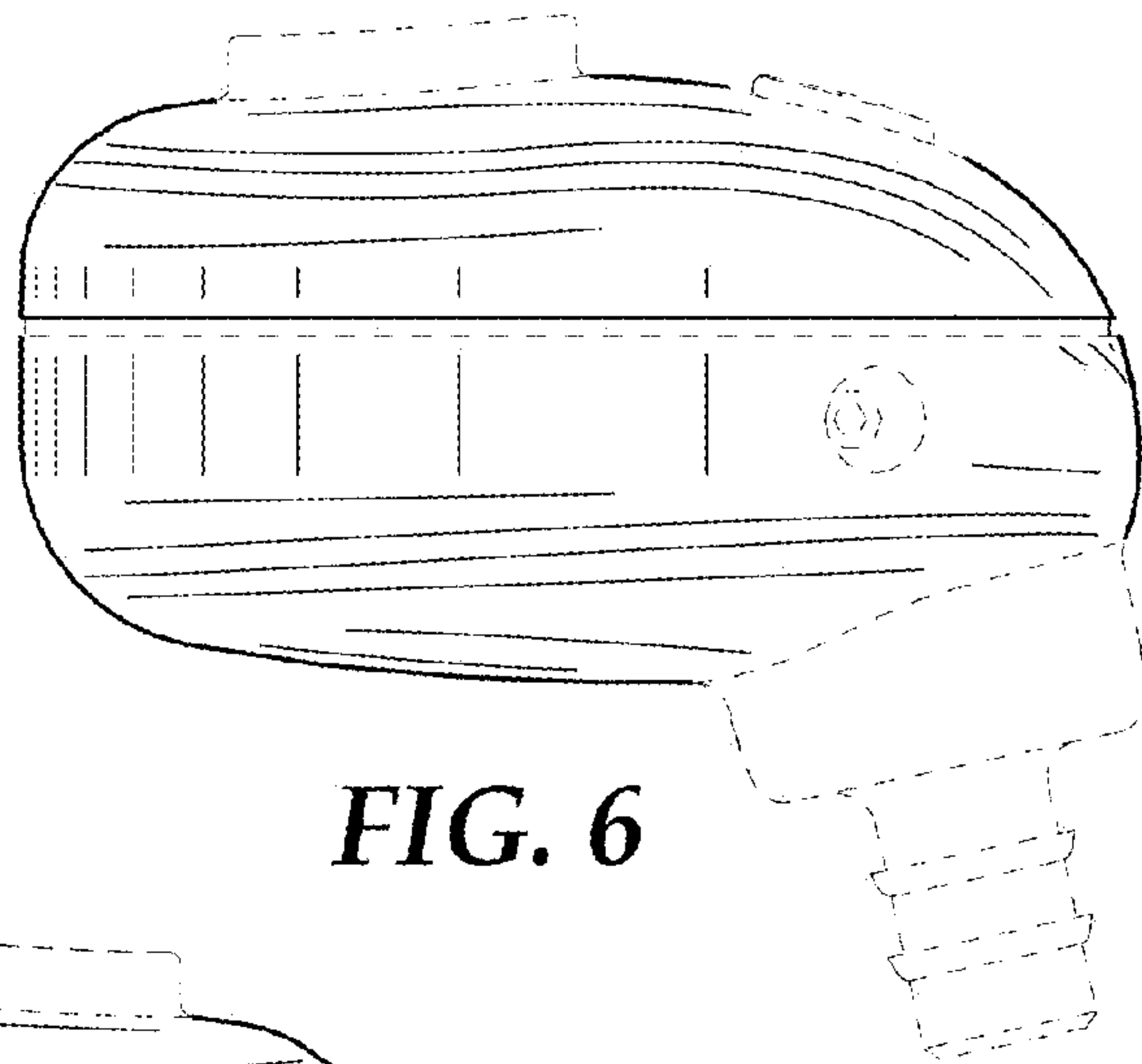


FIG. 6

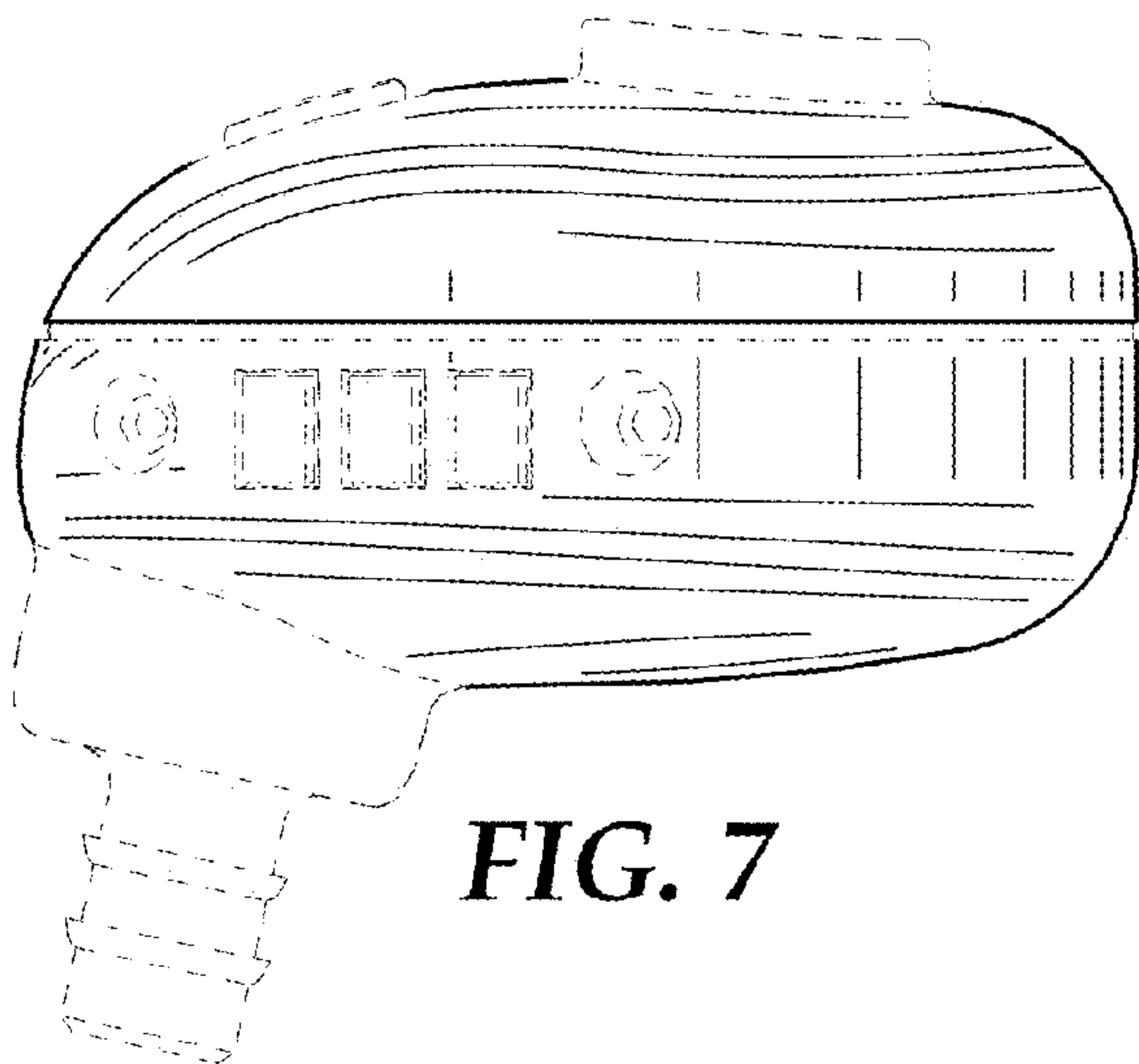


FIG. 7