



US00D719138S

(12) **United States Design Patent**
Schwartz

(10) **Patent No.:** **US D719,138 S**
(45) **Date of Patent:** **** Dec. 9, 2014**

(54) **CIRCULAR SHOWER RADIO WITH BASE**

(71) Applicant: **Adam Schwartz**, Orlando, FL (US)

(72) Inventor: **Adam Schwartz**, Orlando, FL (US)

(73) Assignee: **Altus Holdings, Inc.**, Brooklyn, NY (US)

(**) Term: **14 Years**

(21) Appl. No.: **29/478,643**

(22) Filed: **Jan. 7, 2014**

(51) **LOC (10) Cl.** **14-03**

(52) **U.S. Cl.**
USPC **D14/216**

(58) **Field of Classification Search**

CPC H04M 1/03; H04M 1/035; H04R 1/02;
H04R 1/06; H04R 1/021; H04R 1/025;
H04R 1/026; H04R 1/105; H04R 1/323;
H04R 1/345; H04R 1/403; H04R 1/2803;
H04R 1/2834; H04R 5/02; H04R 7/20;
H04R 9/06; H04R 9/025; H04R 2201/021;
H04R 2400/07; H04R 2499/11; H04R
2499/13; H04R 2499/15; G06F 1/1688;
H04N 5/642; H04N 21/4852; H04S 3/00;
H04S 7/30; B60R 11/0217
USPC D14/167, 168, 170-172, 188, 194-196,
D14/204, 207, 209.1, 210-216, 219, 221,
D14/222, 224, 496; 181/143, 144, 147, 148,
181/150, 153, 157, 198, 199; 381/300-303,
381/306, 332, 333, 336, 345, 361-364,
381/386-388; 369/6-12

See application file for complete search history.

(56) **References Cited**

U.S. PATENT DOCUMENTS

D342,738 S *	12/1993	Hwang	D14/213
D474,169 S *	5/2003	Fletcher	D14/159
D585,421 S *	1/2009	Petersen	D14/189
D587,240 S *	2/2009	Zadro	D14/189
D635,956 S *	4/2011	Zadro	D14/197
D641,342 S *	7/2011	Chang	D14/240
D651,216 S *	12/2011	Pail	D14/496
D656,486 S *	3/2012	Parraga Gimeno	D14/216
D682,805 S *	5/2013	Rath	D14/149
D698,753 S *	2/2014	Yiu et al.	D14/216
D711,366 S *	8/2014	Lui et al.	D14/253

* cited by examiner

Primary Examiner — Keli L Hill

(74) *Attorney, Agent, or Firm* — Ezra Sutton

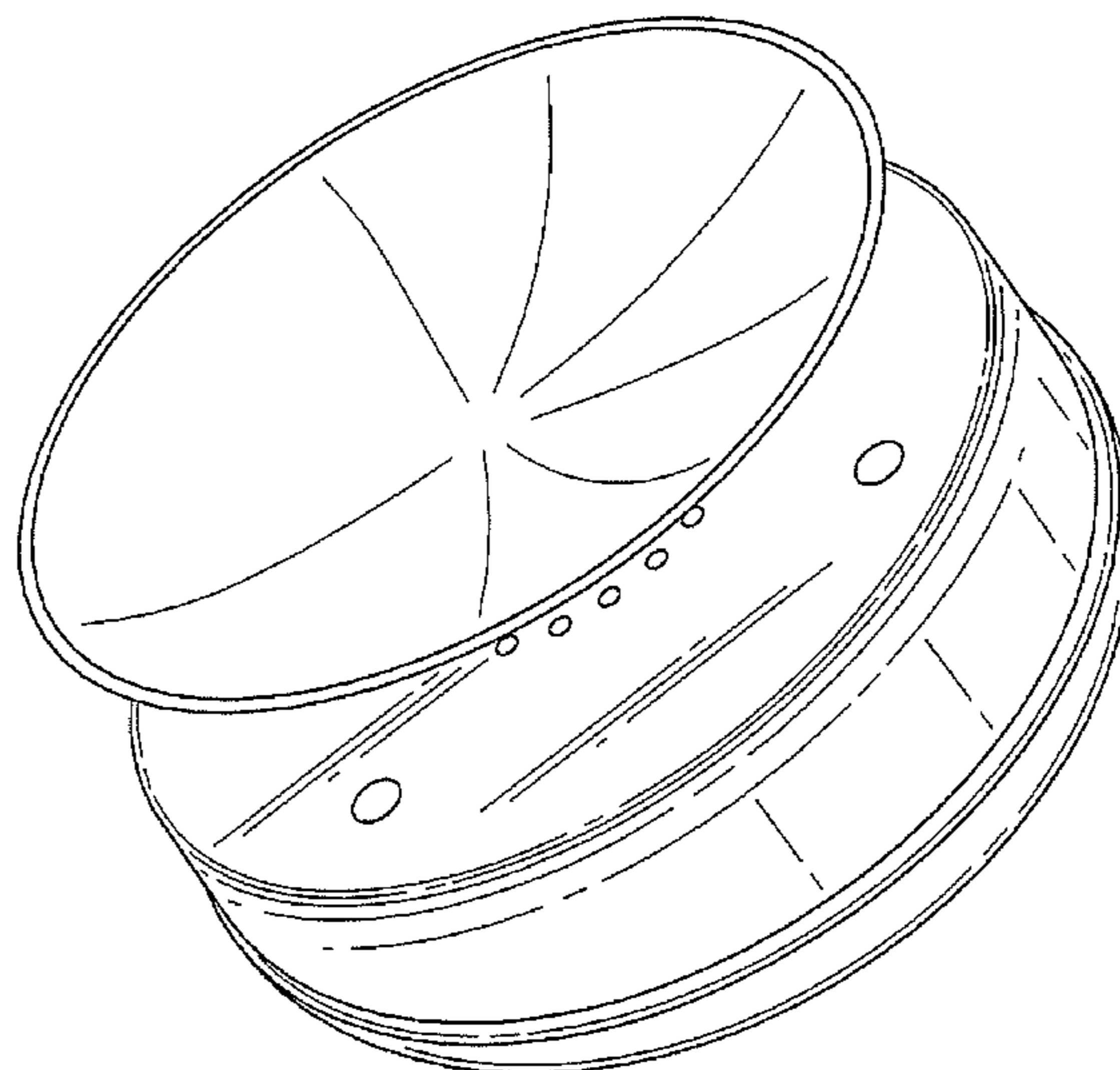
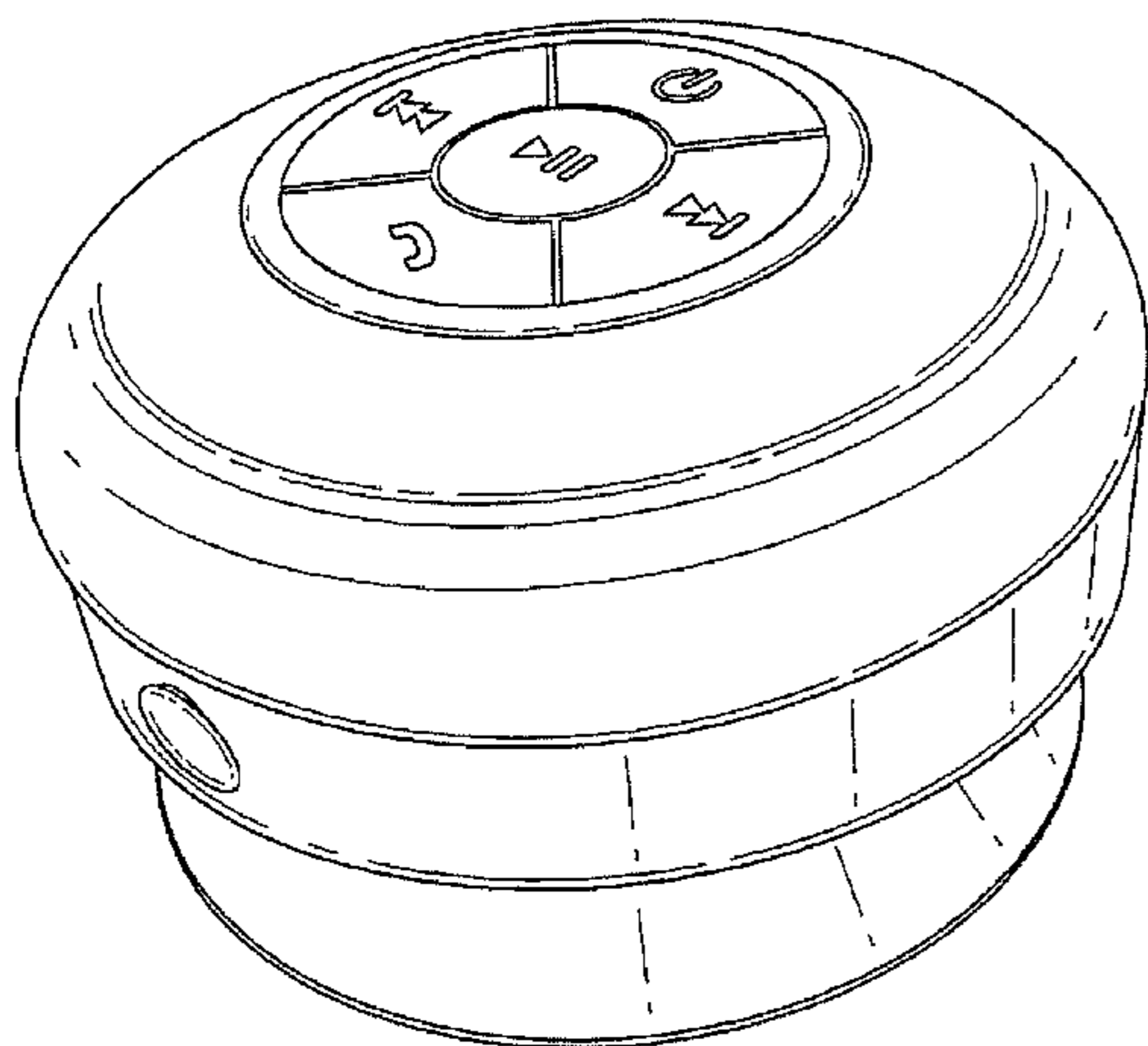
(57) **CLAIM**

The ornamental designs for a circular shower radio with base, as shown and described.

DESCRIPTION

FIG. 1 is a top and front perspective view of a circular shower radio with base embodying our new design; FIG. 2 is a bottom perspective view thereof; FIG. 3 is a top view thereof; FIG. 4 is a bottom view thereof; FIG. 5 is a front view thereof; FIG. 6 is a rear view thereof; FIG. 7 is a left side view thereof; and, FIG. 8 is a right side view thereof.

1 Claim, 8 Drawing Sheets



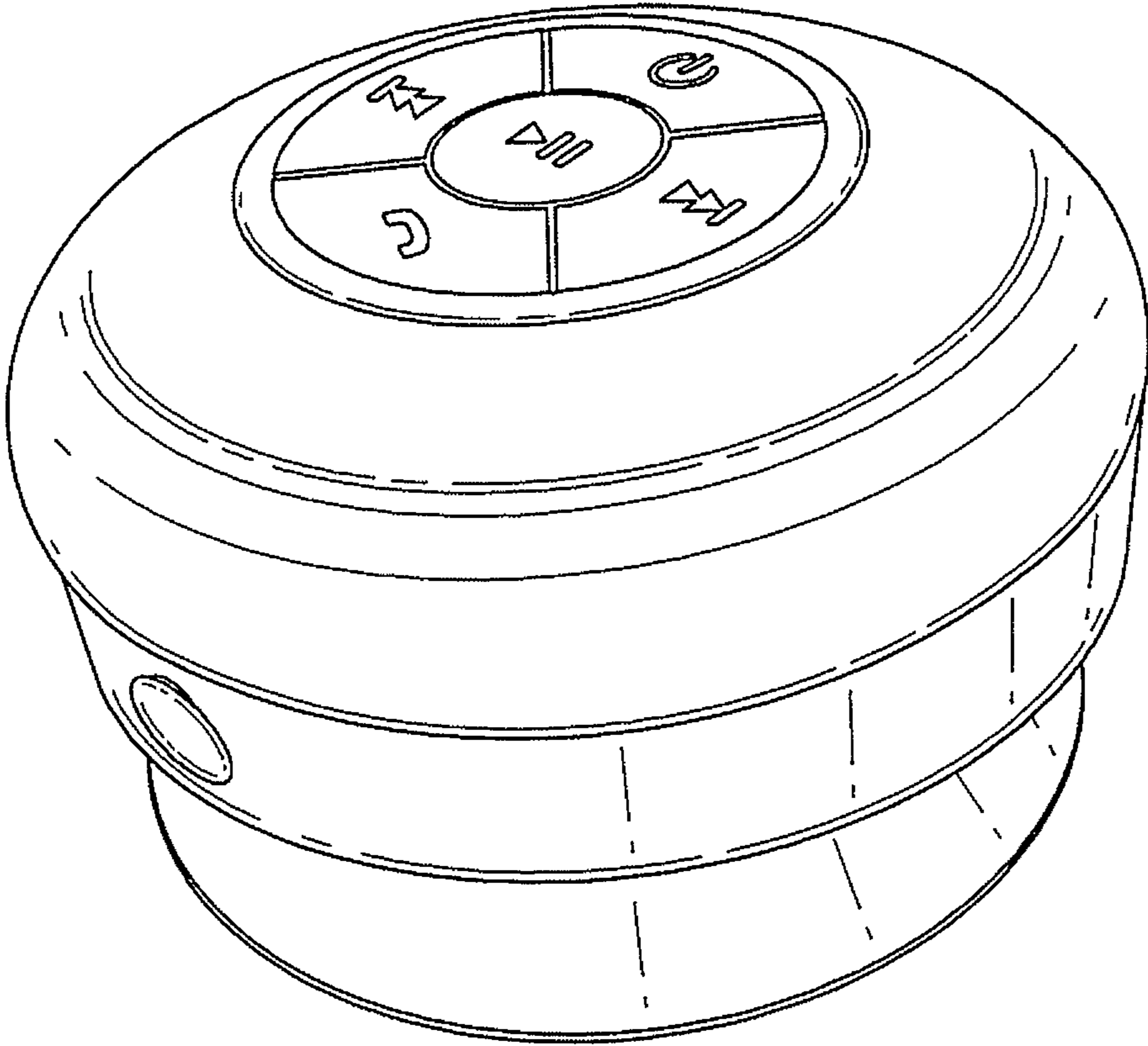


FIG. 1

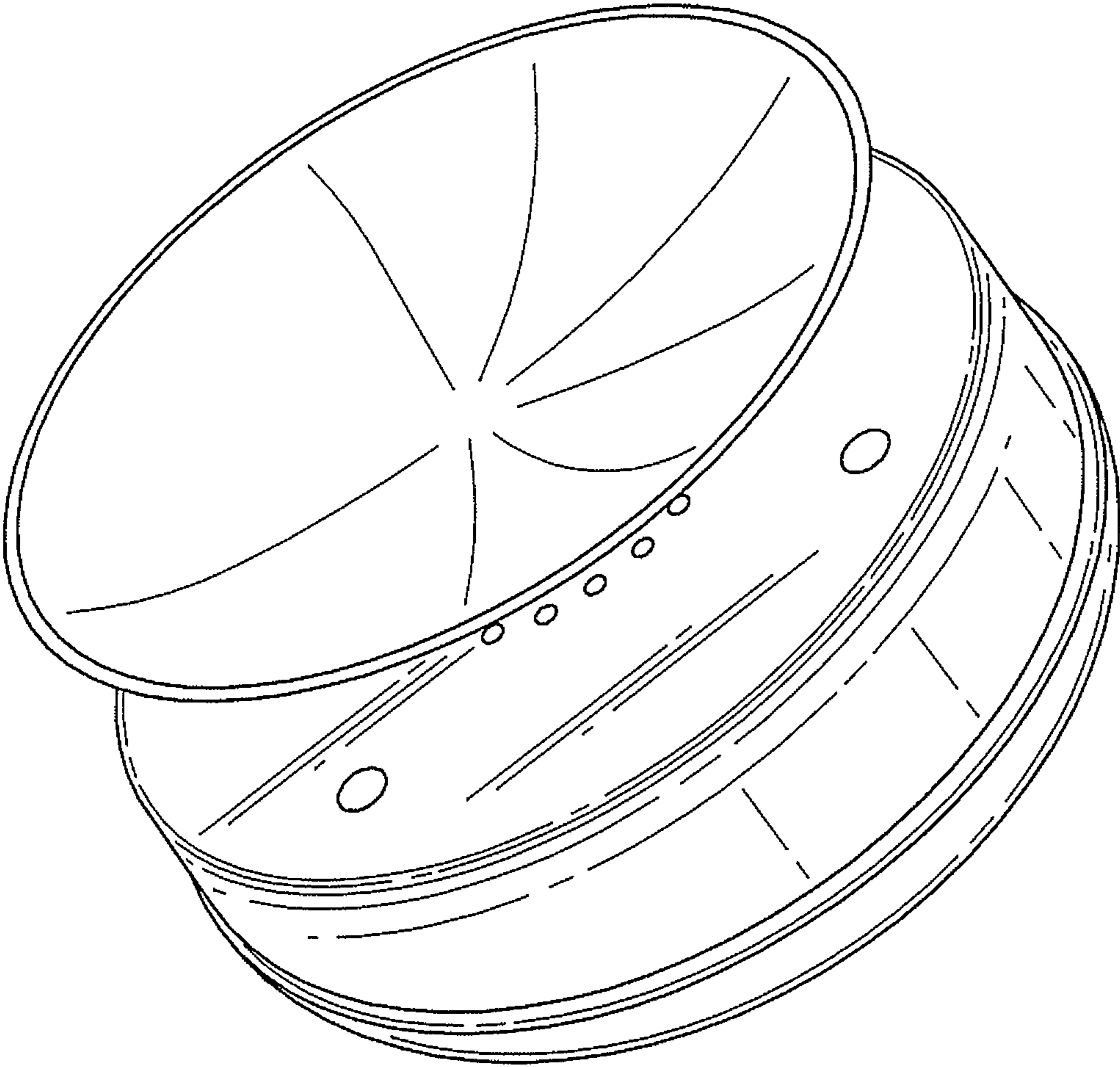


FIG. 2

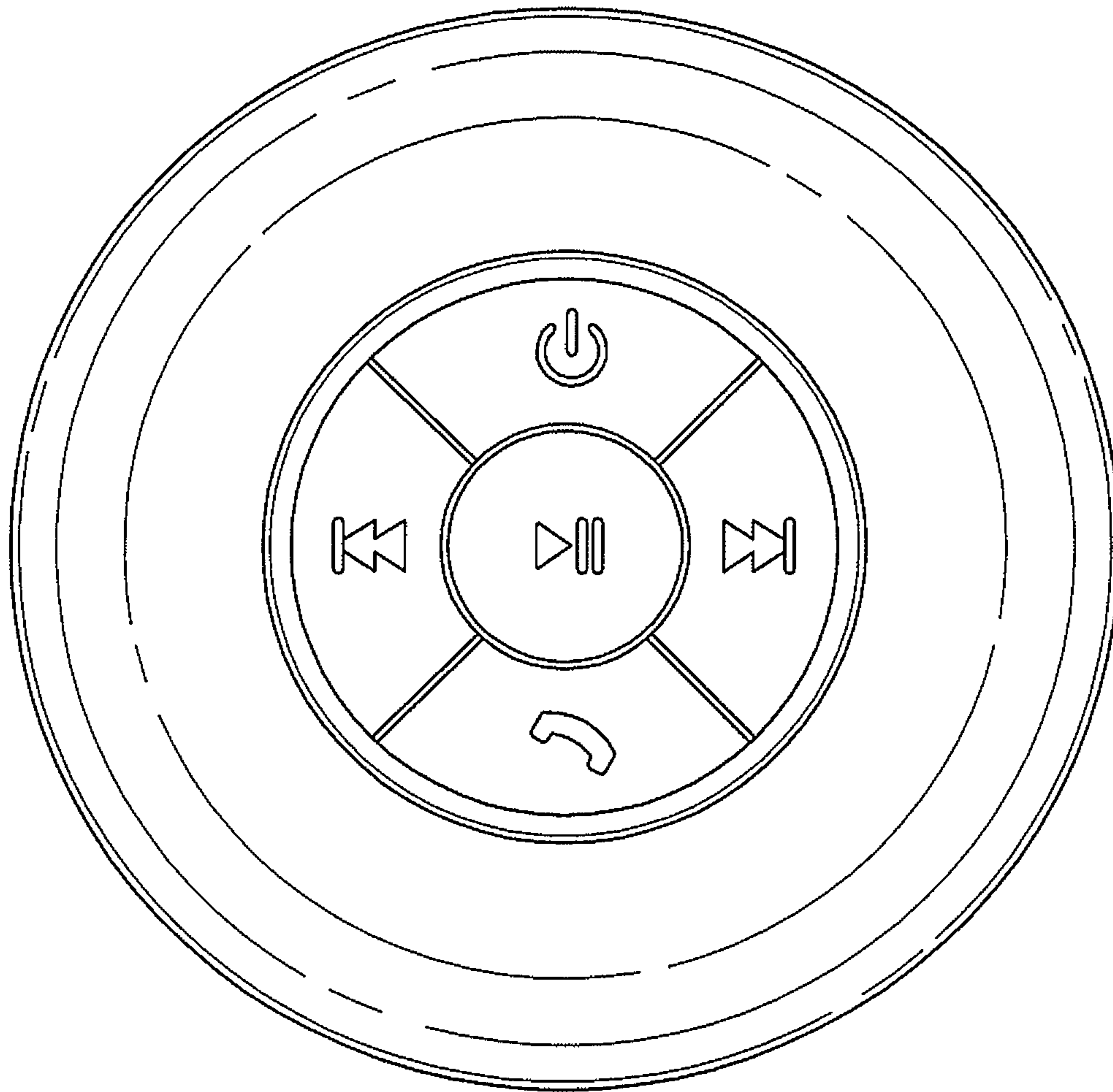


FIG. 3

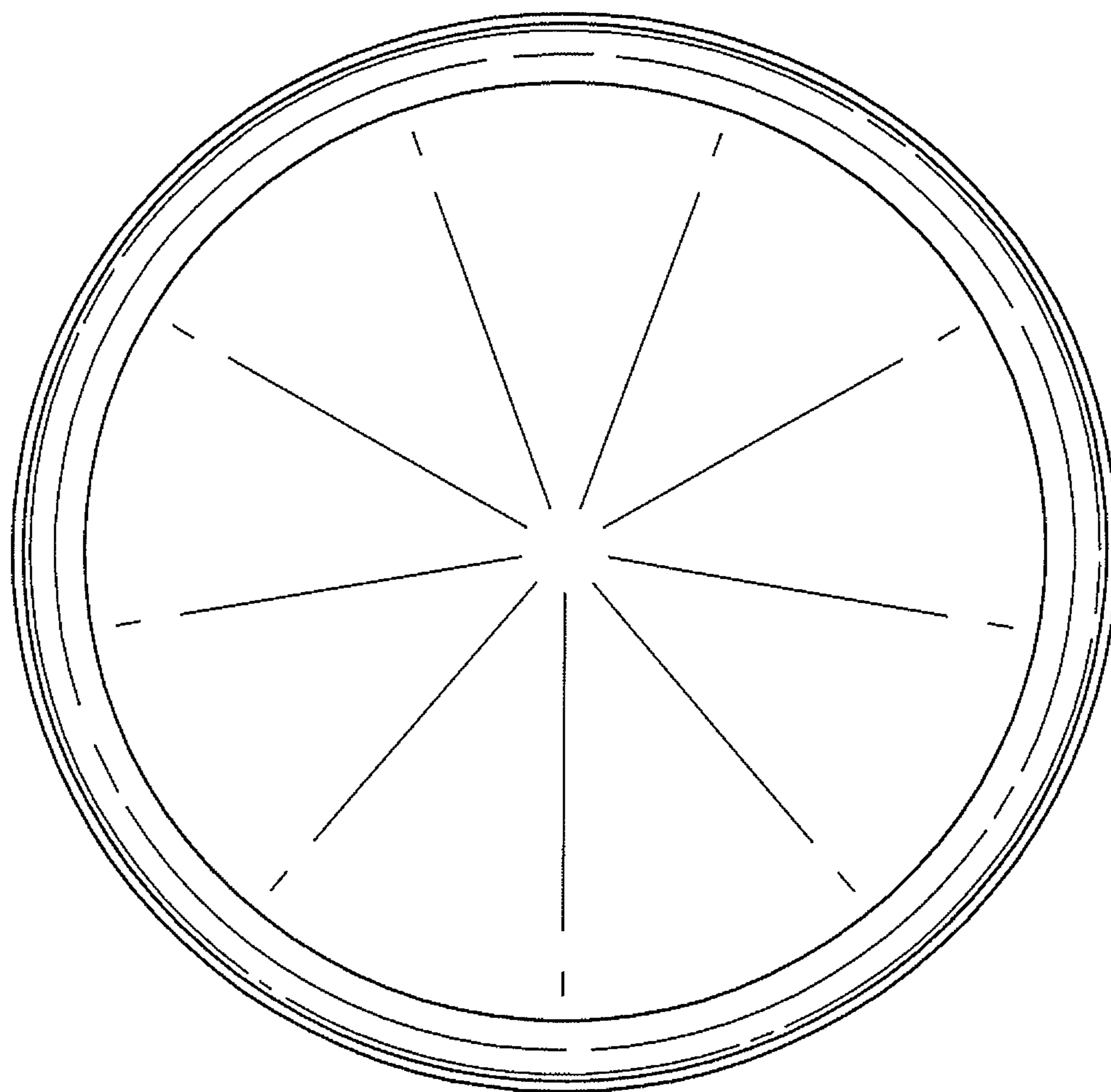


FIG. 4

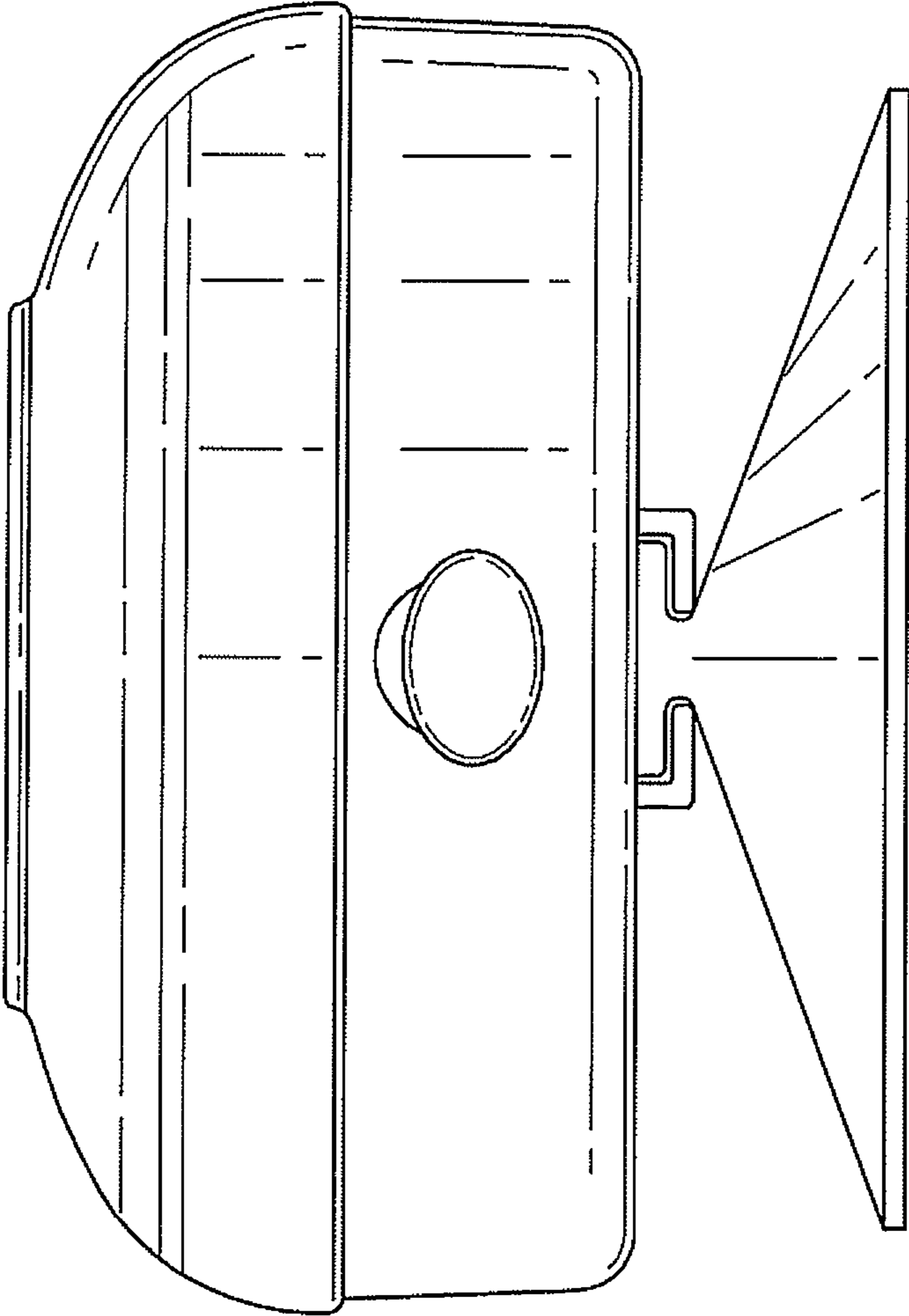


FIG. 5

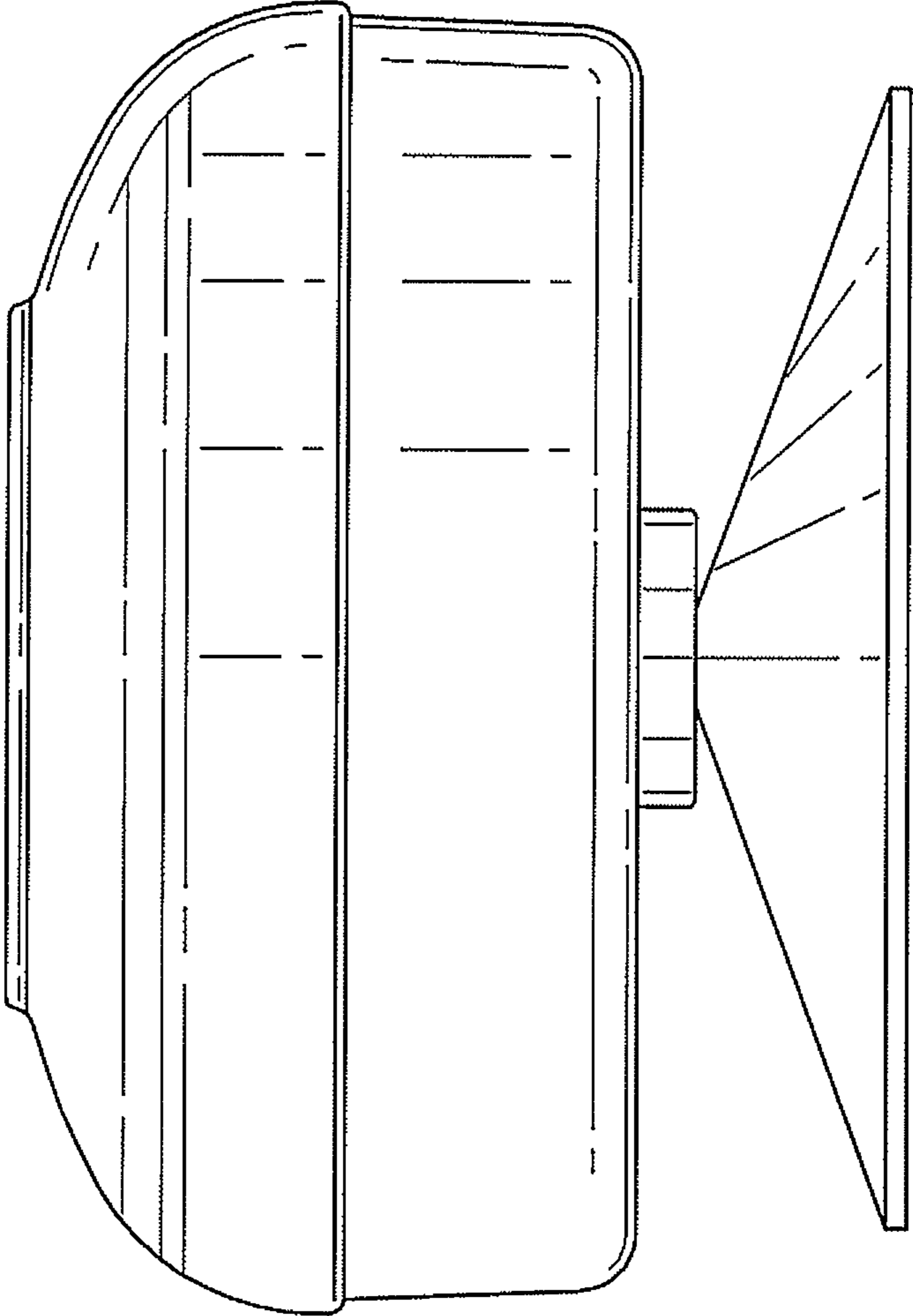


FIG. 6

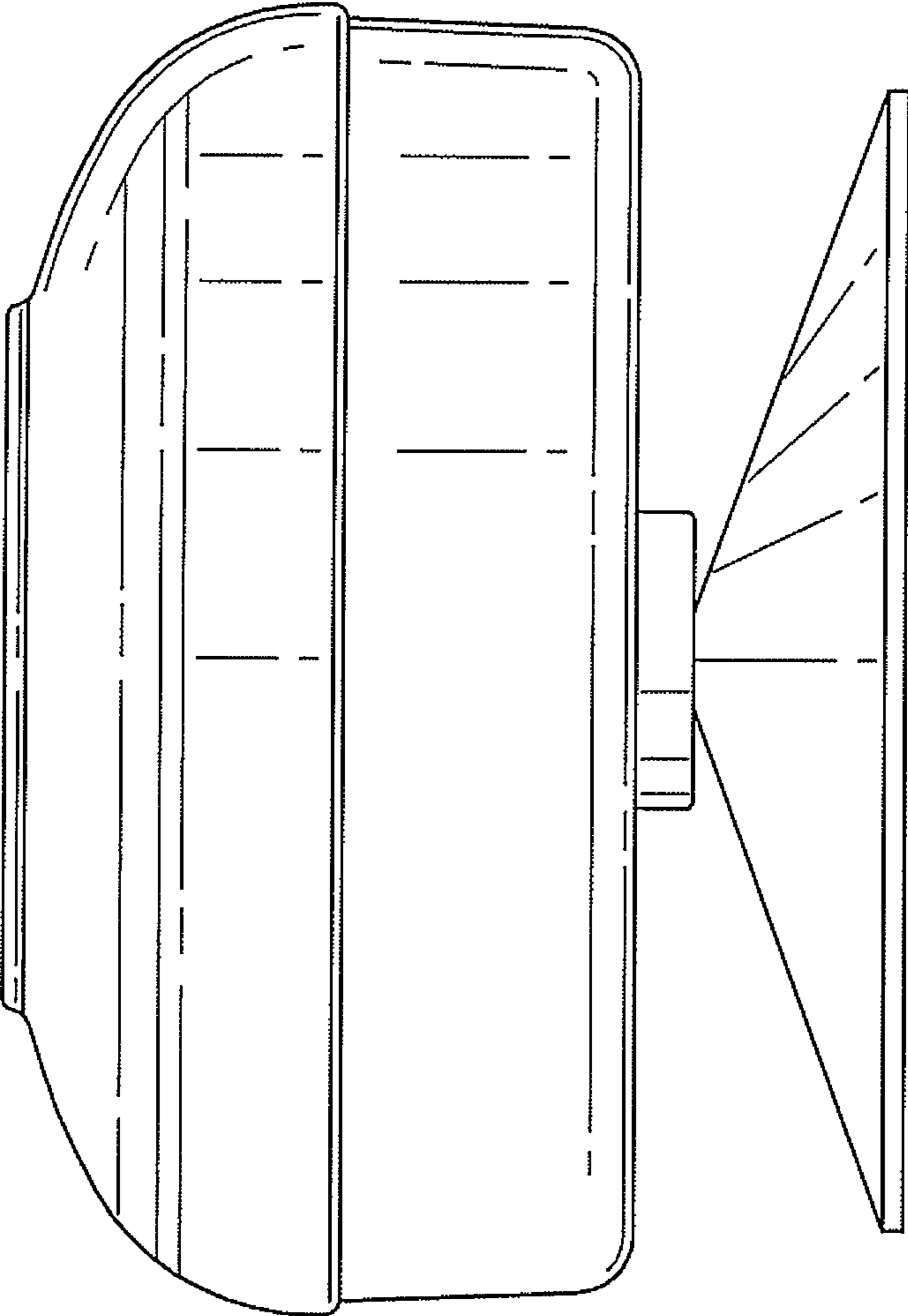


FIG. 7

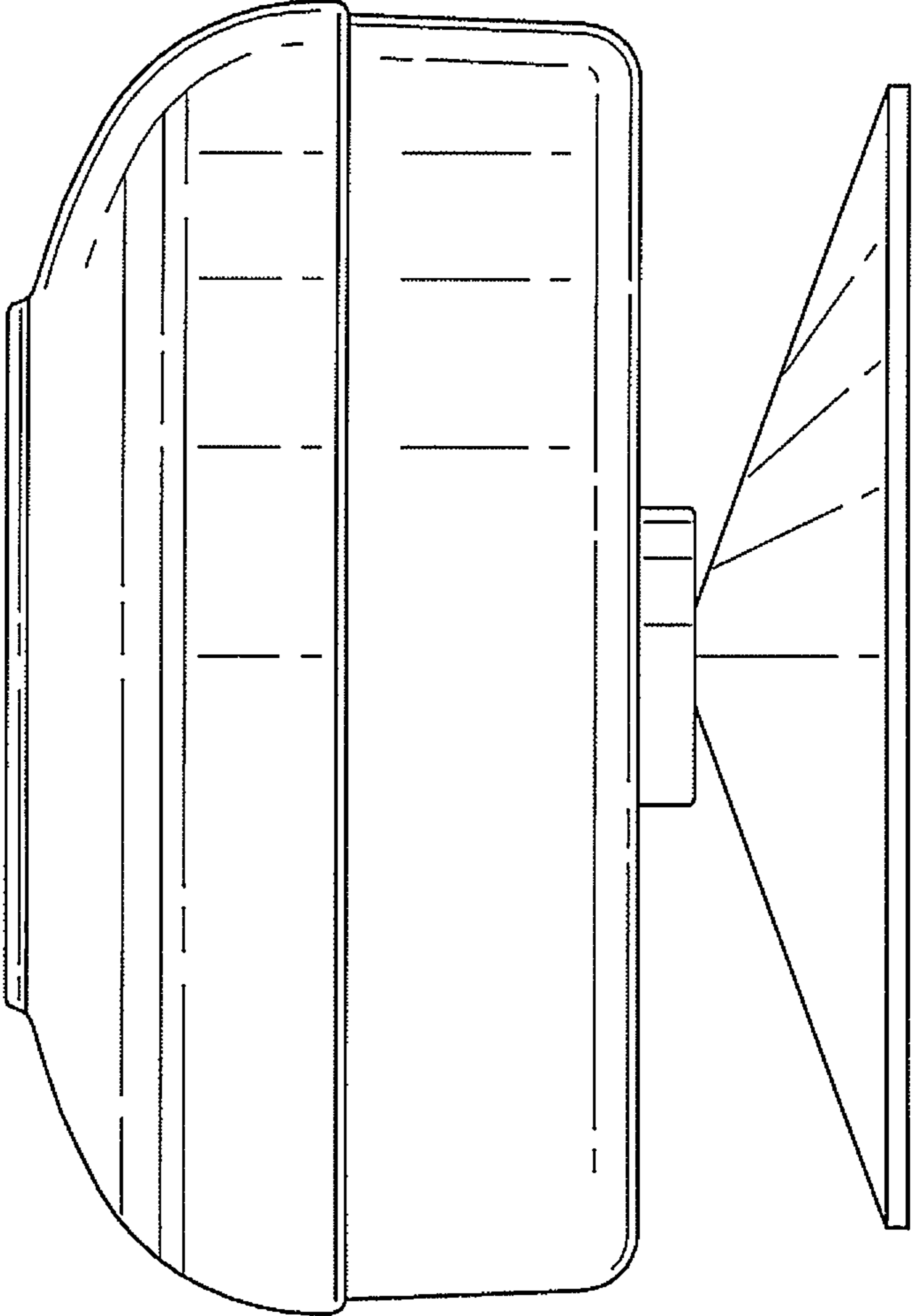


FIG. 8

(12) INTER PARTES REVIEW CERTIFICATE (3199th)

**United States Patent
Schwartz**

**(10) Number: US D719,138 K1
(45) Certificate Issued: Jul. 31, 2023**

(54) CIRCULAR SHOWER RADIO WITH BASE

(71) Applicant: Adam Schwartz

(72) Inventor: Adam Schwartz

(73) Assignee: ALTUS HOLDINGS, INC.

Trial Number:

IPR2022-00155 filed Nov. 9, 2021

Inter Partes Review Certificate for:

Patent No.: **D719,138**

Issued: **Dec. 9, 2014**

Appl. No.: **29/478,643**

Filed: **Jan. 7, 2014**

The results of IPR2022-00155 are reflected in this inter partes review certificate under 35 U.S.C. 318(b).

INTER PARTES REVIEW CERTIFICATE
U.S. Patent D719,138 K1
Trial No. IPR2022-00155
Certificate Issued Jul. 31, 2023

1

2

AS A RESULT OF THE INTER PARTES
REVIEW PROCEEDING, IT HAS BEEN
DETERMINED THAT:

The claim is cancelled.

5

* * * * *