



US00D719137S

(12) **United States Design Patent**  
**Cheng**

(10) **Patent No.:** **US D719,137 S**  
(45) **Date of Patent:** **\*\* Dec. 9, 2014**

(54) **BLUETOOTH SPEAKER**

(71) Applicant: **Sky Tech Worldwide, Inc.**, Ontario, CA (US)

(72) Inventor: **Chin-Hung Cheng**, Ontario, CA (US)

(73) Assignee: **Sky Tech Worldwide, Inc.**, Ontario (CA)

(\*\*) Term: **14 Years**

(21) Appl. No.: **29/455,295**

(22) Filed: **May 20, 2013**

(51) **LOC (10) Cl.** ..... **14-03**

(52) **U.S. Cl.**  
USPC ..... **D14/216**

(58) **Field of Classification Search**  
USPC ..... D14/167, 168, 170–172, 188, 194–196, D14/204, 207, 209.1, 210–216, 219, 221, D14/222, 224, 496; 181/143, 144, 147, 148, 181/150, 153, 157, 198, 199; 381/300–303, 381/306, 332, 333, 336, 345, 361–364, 381/386–388; 369/6–12

See application file for complete search history.

(56) **References Cited**

**U.S. PATENT DOCUMENTS**

D223,580 S \* 5/1972 Richards ..... D14/215  
D505,941 S \* 6/2005 Hirano ..... D14/215

D563,391 S \* 3/2008 Skurdal ..... D14/216  
D571,359 S \* 6/2008 Chang ..... D14/216  
D609,718 S \* 2/2010 Chang et al. .... D14/496  
D615,530 S \* 5/2010 Dobson ..... D14/216  
D659,679 S \* 5/2012 Aoki ..... D14/215  
D686,186 S \* 7/2013 Kaneko et al. .... D14/168  
D698,753 S \* 2/2014 Yiu et al. .... D14/216

\* cited by examiner

*Primary Examiner* — Keli L Hill

(74) *Attorney, Agent, or Firm* — Alan D. Kamrath; Kamrath IP Lawfirm, P.A.

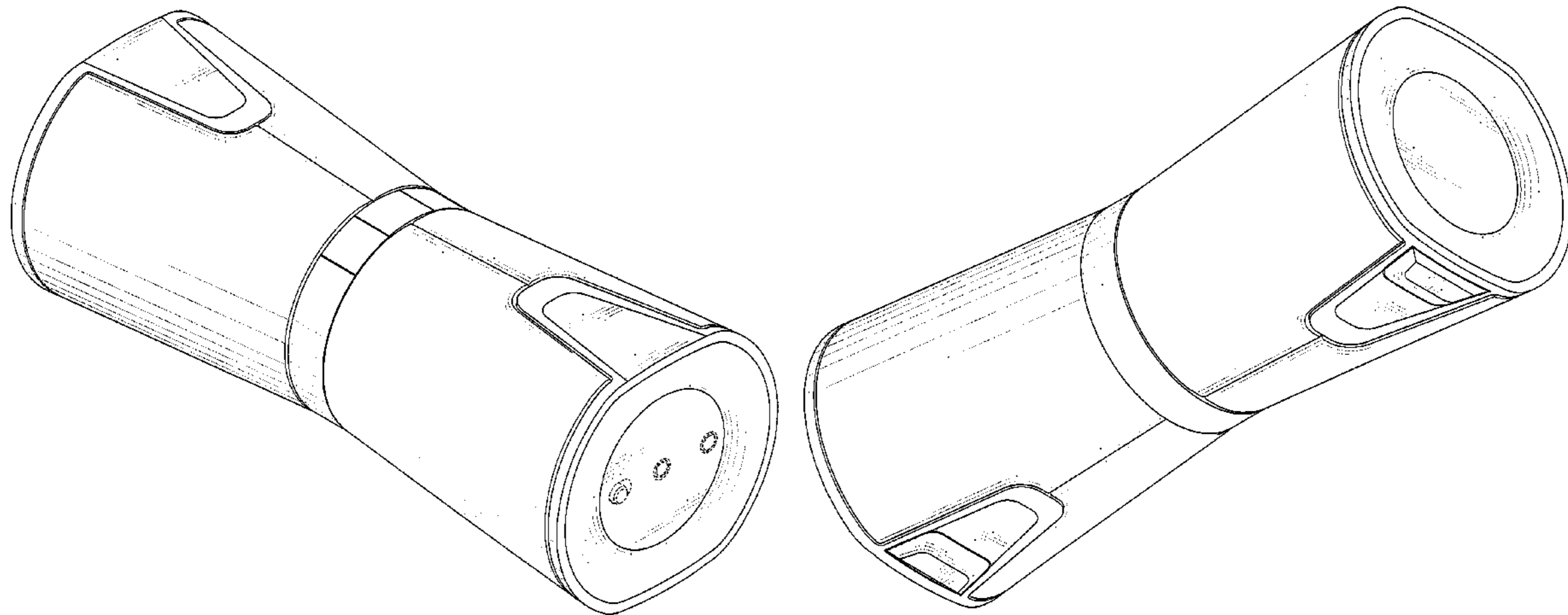
(57) **CLAIM**

The ornamental design for a bluetooth speaker, as shown and described.

**DESCRIPTION**

FIG. 1 is a perspective view of a bluetooth speaker showing my new design;  
FIG. 2 is a front view thereof;  
FIG. 3 is a rear view thereof;  
FIG. 4 is a left side view thereof;  
FIG. 5 is a right side view thereof;  
FIG. 6 is a top view thereof;  
FIG. 7 is a bottom view thereof; and,  
FIG. 8 is another perspective view thereof.  
The broken lines are shown for illustrative purposes only and form no part of the claimed design.

**1 Claim, 7 Drawing Sheets**



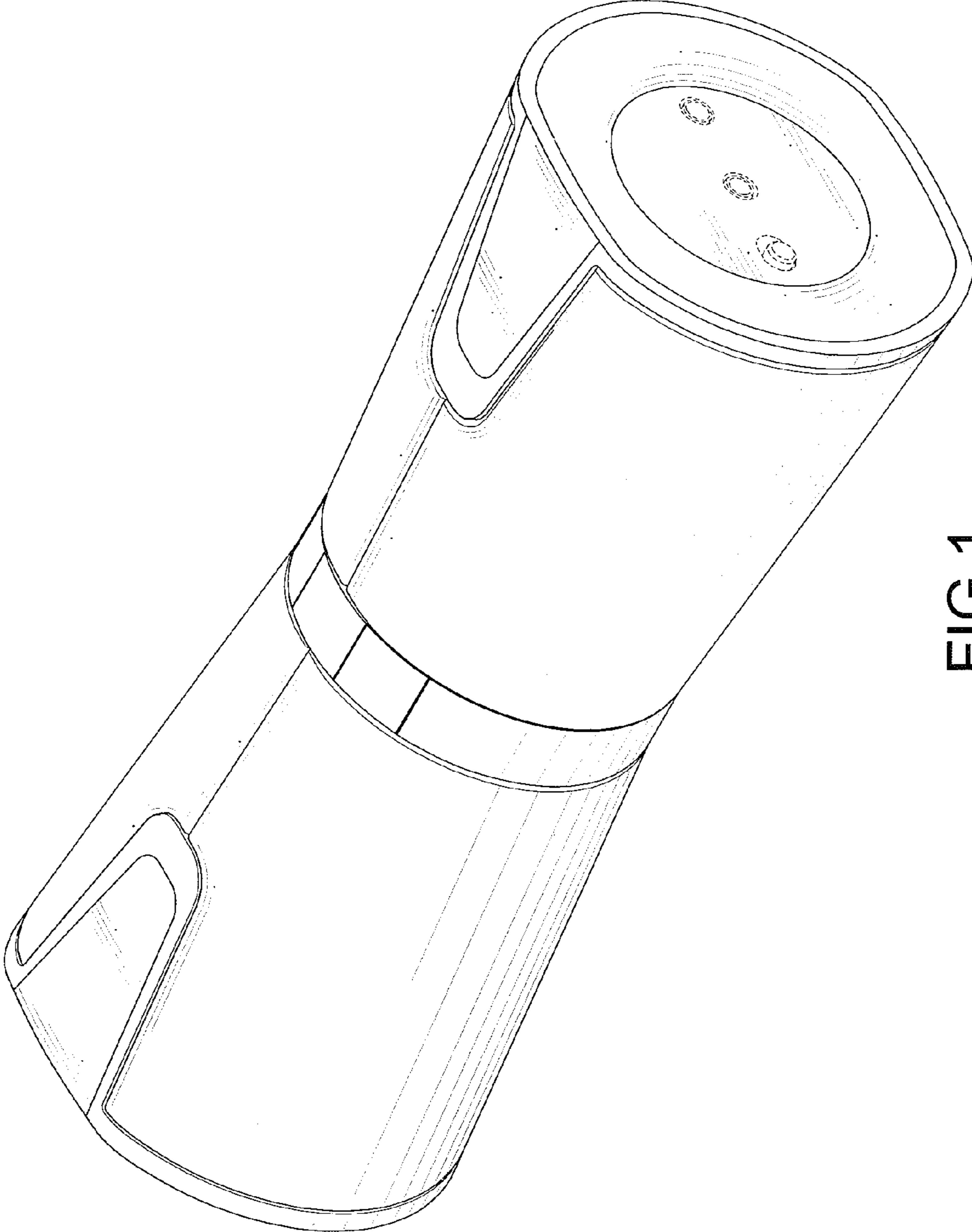


FIG.1

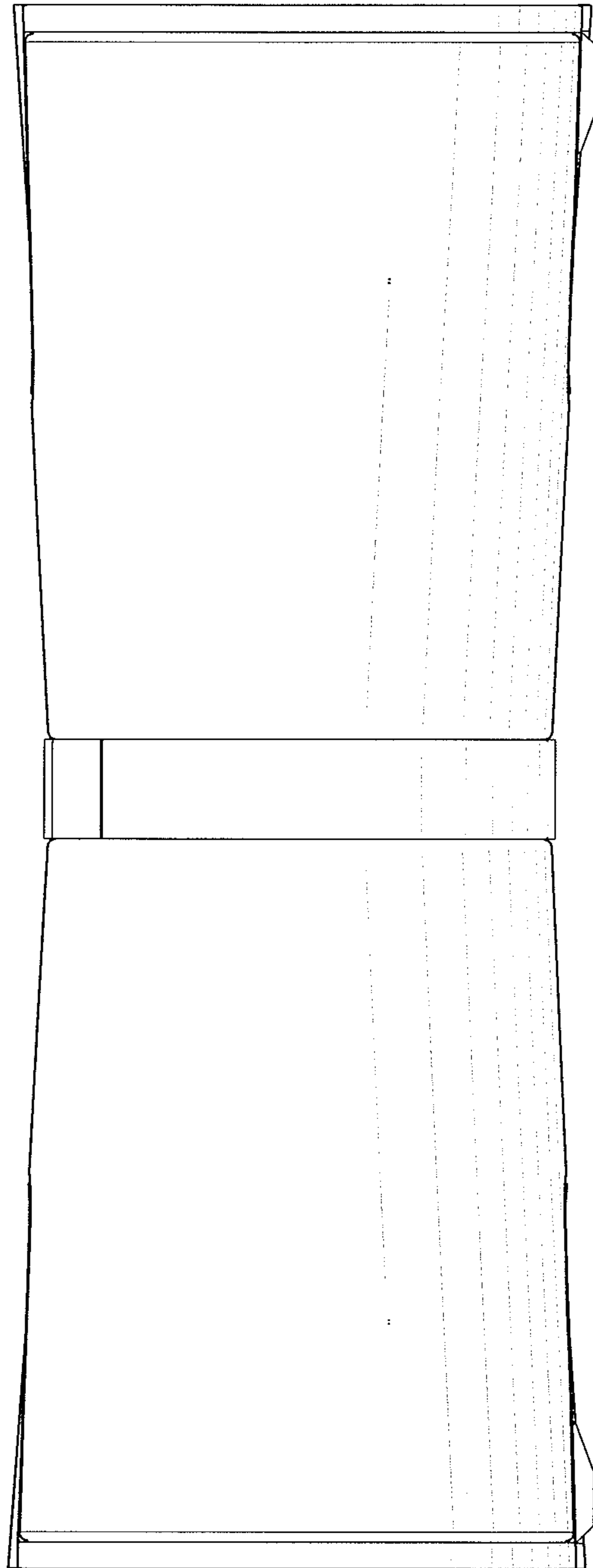


FIG.2

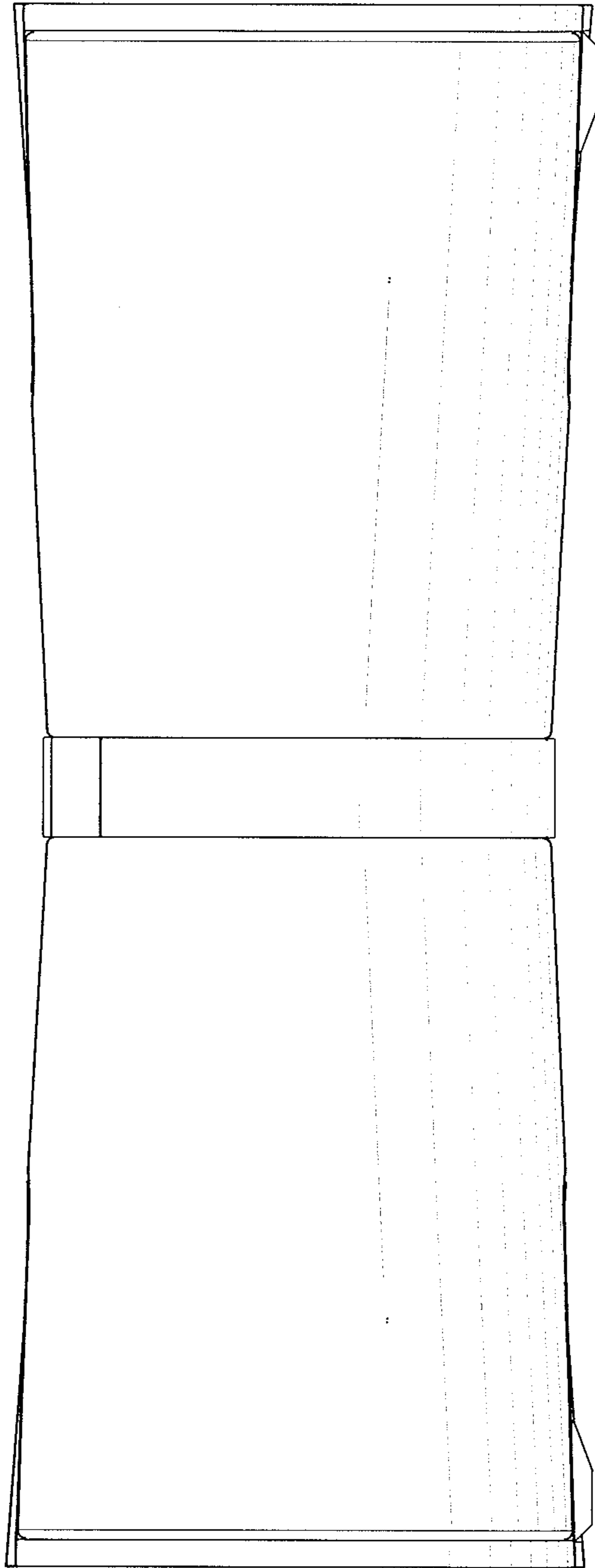


FIG.3

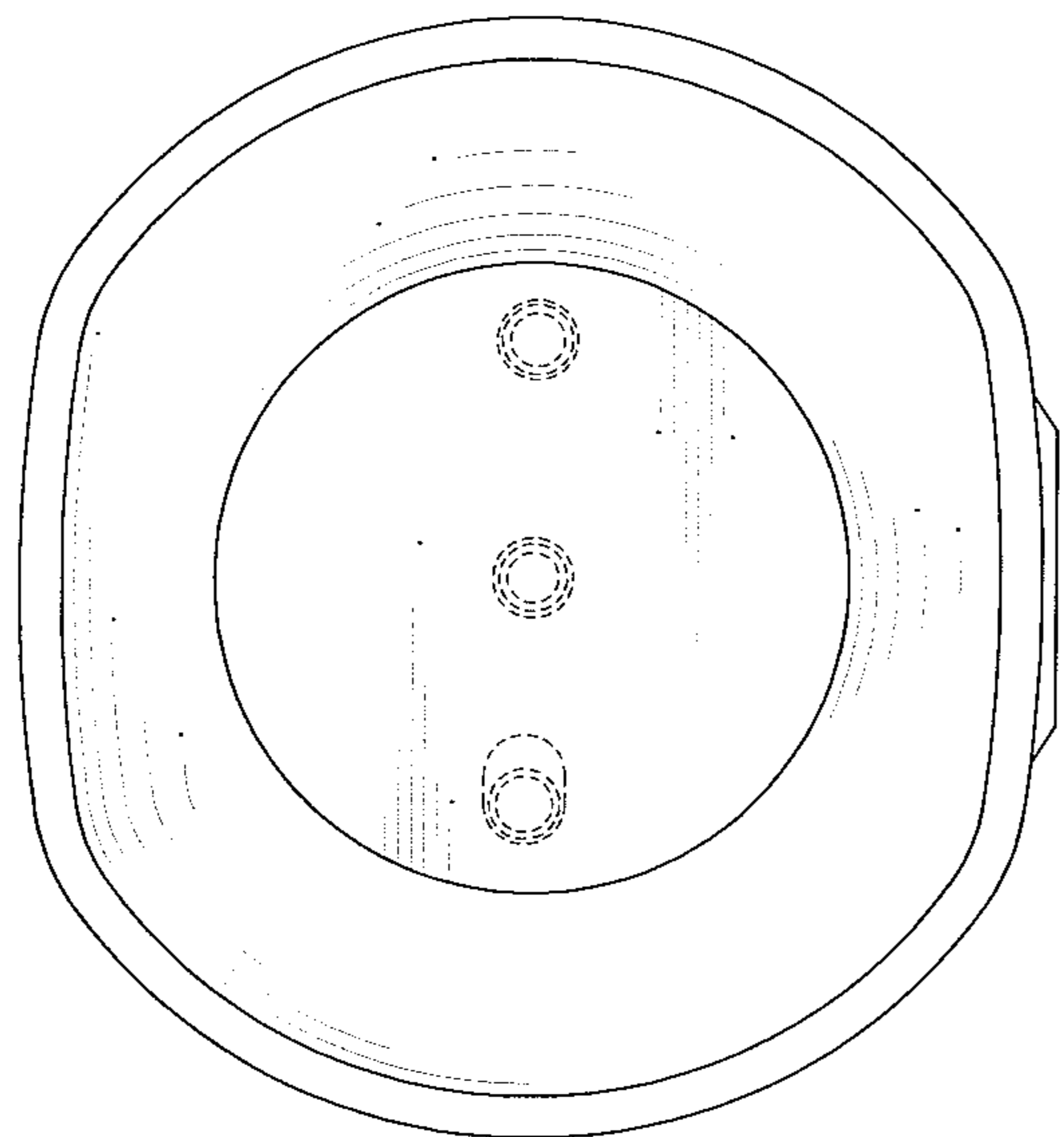


FIG.5

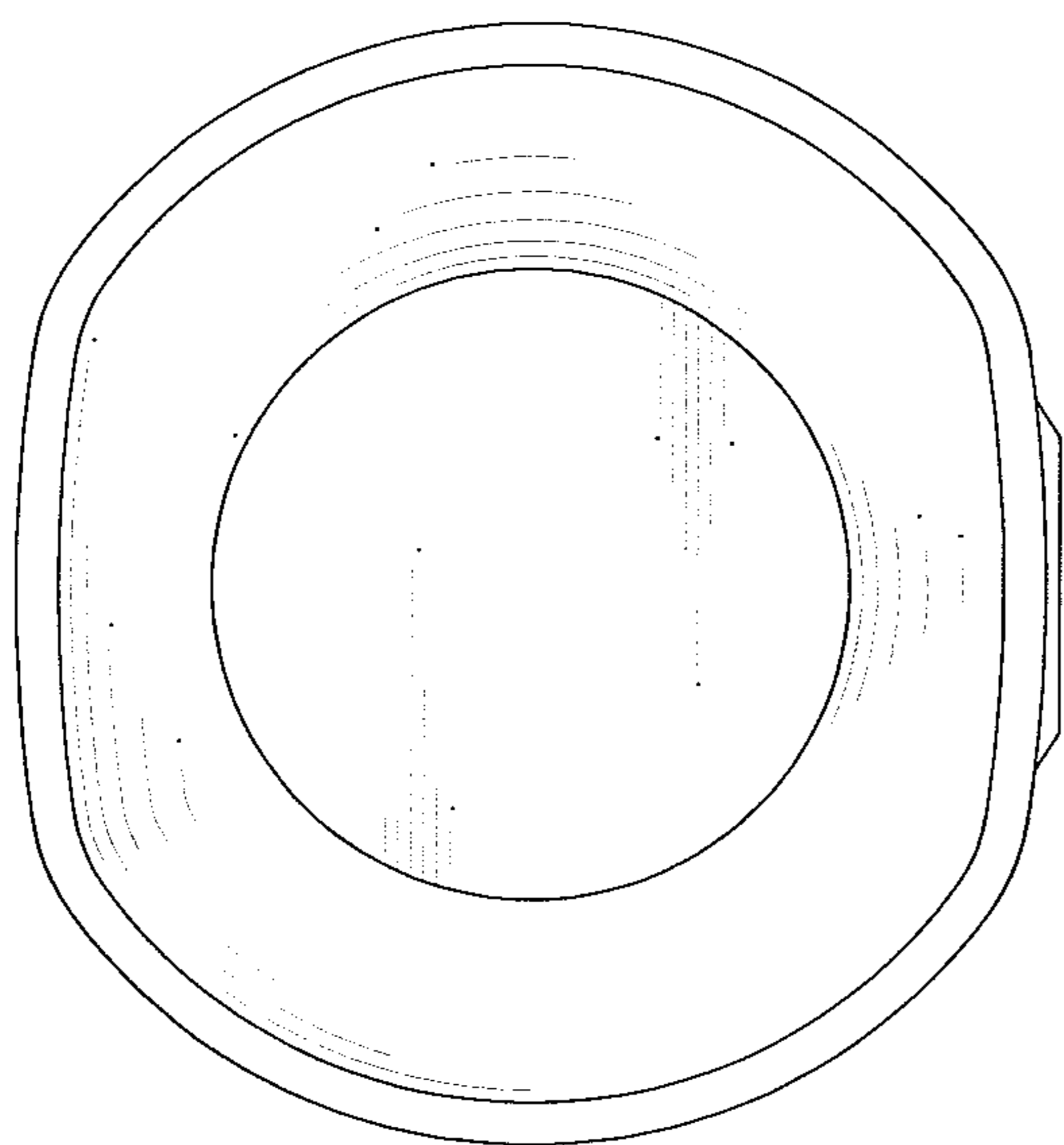


FIG.4

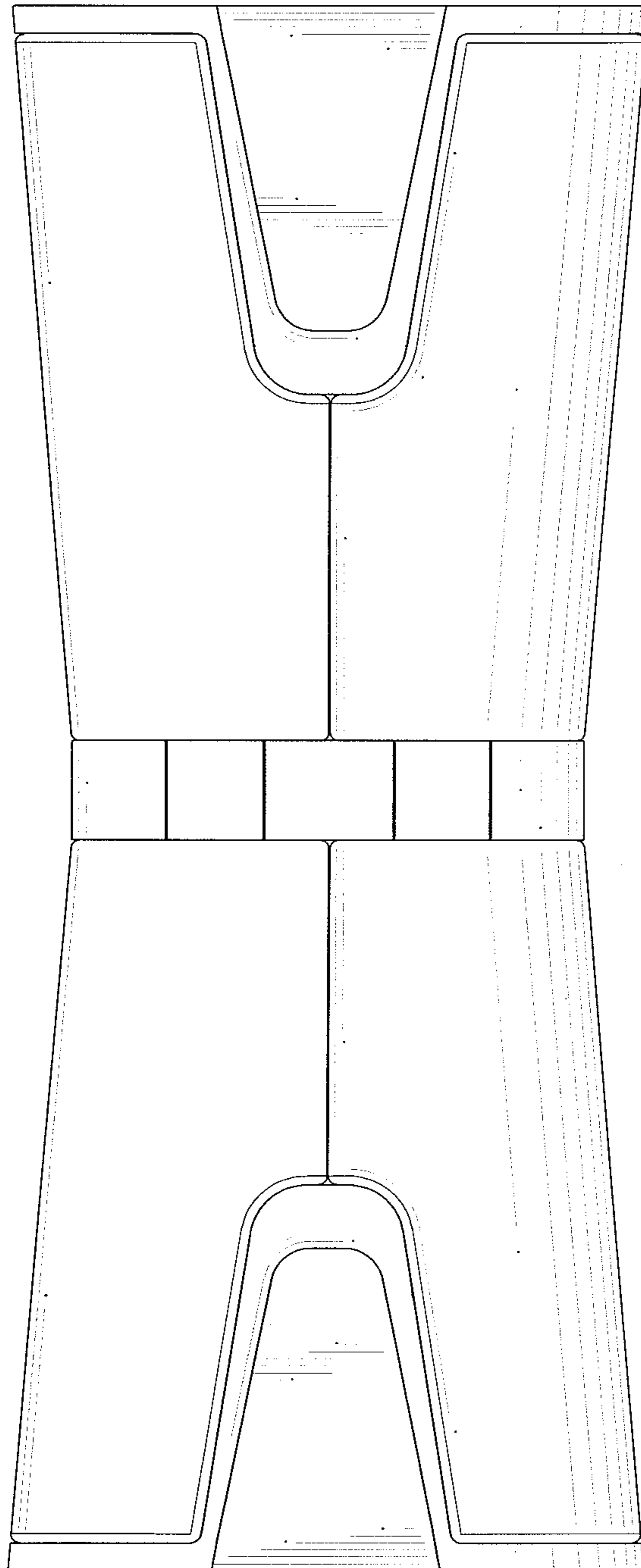


FIG.6

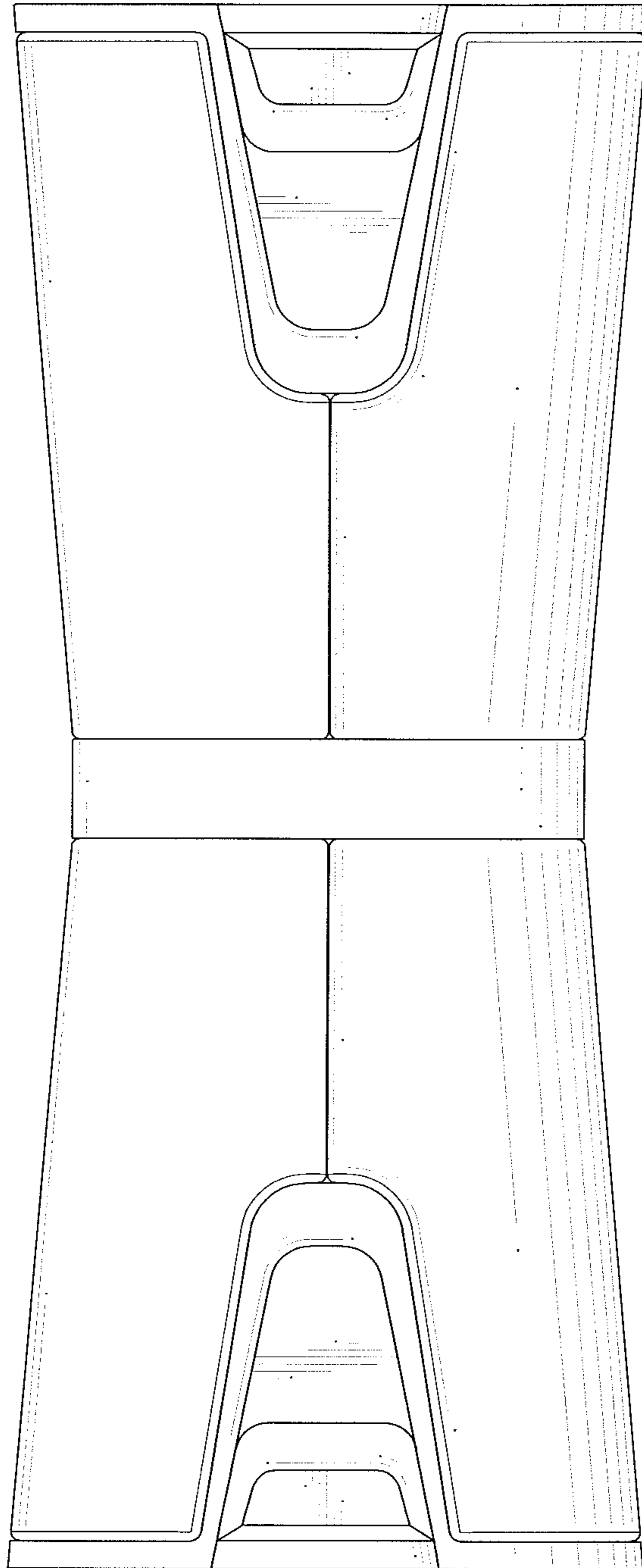


FIG.7



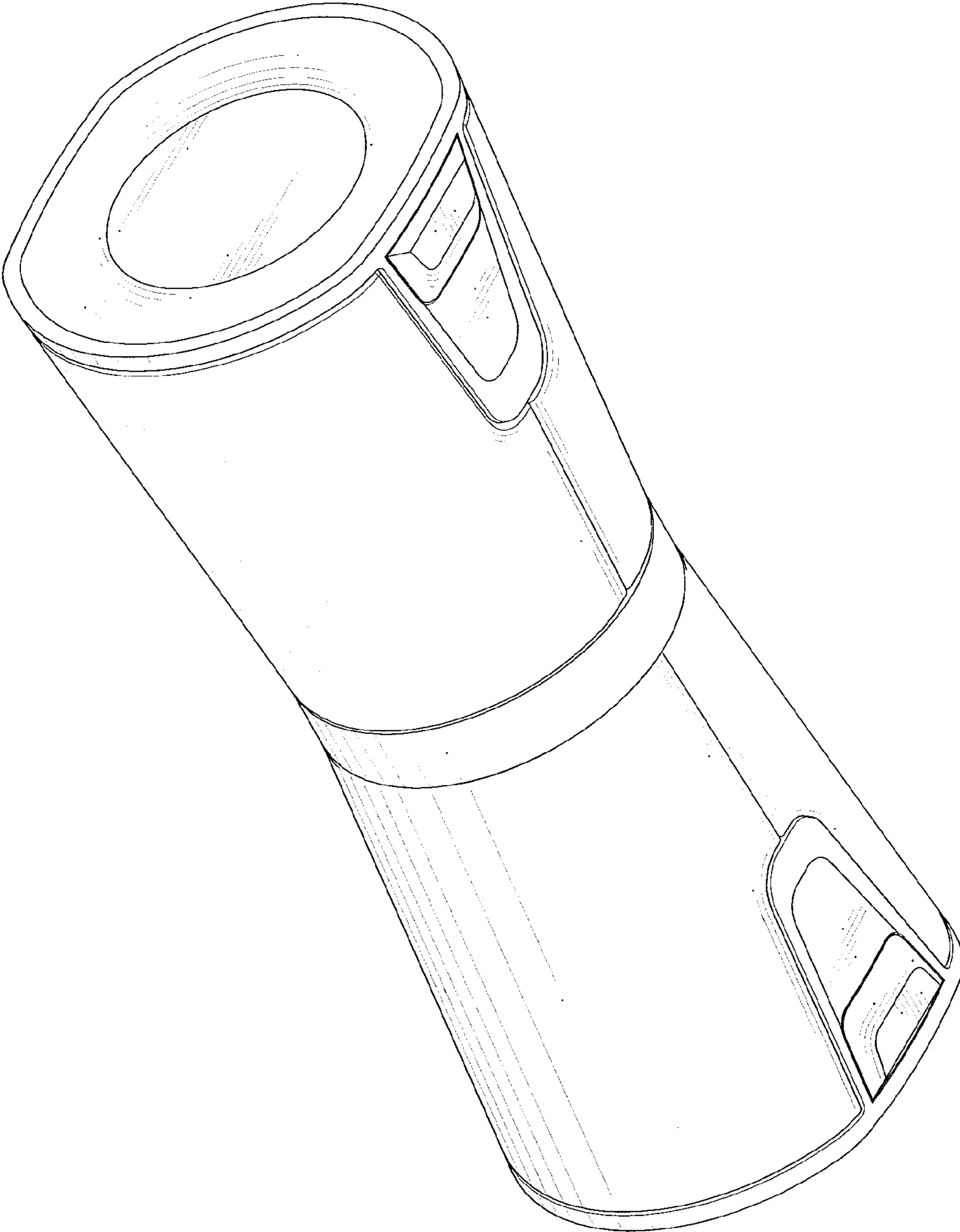


FIG.8