



US00D719136S

(12) **United States Design Patent**  
**Schaal et al.**

(10) **Patent No.:** **US D719,136 S**  
(45) **Date of Patent:** **\*\* Dec. 9, 2014**

(54) **HEADPHONES**

(71) Applicant: **Bose Corporation**, Framingham, MA (US)

(72) Inventors: **Nathan David Schaal**, Cambridge, MA (US); **Adam A. Carr**, Southborough, MA (US); **Joshua Kevin Dryden**, Marlborough, MA (US); **Kenneth D. Gagnon**, Westminster, MA (US); **Kevin M. Krauss**, Sudbury, MA (US); **Michael E. Laude**, Upton, MA (US); **Tristan Edward Taylor**, Boston, MA (US); **Julie E. Tierney**, Shrewsbury, MA (US)

(73) Assignee: **Bose Corporation**, Framingham, MA (US)

(\*\*) Term: **14 Years**

(21) Appl. No.: **29/475,709**

(22) Filed: **Dec. 5, 2013**

(51) **LOC (10) Cl.** ..... **14-01**

(52) **U.S. Cl.**  
USPC ..... **D14/206**; D14/205

(58) **Field of Classification Search**  
CPC ..... H04R 1/1066  
USPC ..... D14/205, 206; D29/112; 2/209;  
181/129, 130, 135; 379/430, 431;  
381/380, 381, 374

See application file for complete search history.

(56) **References Cited**

**U.S. PATENT DOCUMENTS**

D255,352 S	6/1980	Besasie	
D328,074 S	7/1992	Yamazaki et al.	
D337,115 S	7/1993	Yamazaki et al.	
5,233,704 A *	8/1993	Booher	2/207
D353,817 S	12/1994	Wada	
D353,818 S	12/1994	Nakamura	
5,406,037 A *	4/1995	Nageno et al.	181/129
D431,550 S	10/2000	Yoneda	
D476,639 S	7/2003	Bergeron et al.	

D491,163 S *	6/2004	Green	D14/205
D512,708 S *	12/2005	Harris et al.	D14/205
D514,087 S	1/2006	Wilson et al.	
D520,492 S *	5/2006	Chen	D14/205
D532,407 S	11/2006	Motoishi	
D538,261 S	3/2007	Taylor et al.	
D541,255 S	4/2007	Taylor et al.	
D549,688 S *	8/2007	Suzuki	D14/205
D563,382 S *	3/2008	Wikel	D14/205
7,388,960 B2 *	6/2008	Kuo et al.	381/186
D573,581 S *	7/2008	Gondo et al.	D14/205
D585,871 S *	2/2009	Lee	D14/205
D597,070 S *	7/2009	Zheng	D14/205
D603,370 S *	11/2009	Suzuki	D14/205
D617,770 S *	6/2010	Sanguinetti et al.	D14/205
D642,554 S *	8/2011	Schaal et al.	D14/205
D662,080 S *	6/2012	Carr et al.	D14/205
D669,451 S *	10/2012	Tappeiner et al.	D14/205
D688,649 S *	8/2013	Combs et al.	D14/205
D697,896 S *	1/2014	Lee et al.	D14/205
D699,702 S *	2/2014	Chen	D14/205
D705,750 S *	5/2014	Wu et al.	D14/205
D710,822 S *	8/2014	Gan	D14/205
D711,347 S *	8/2014	Gan	D14/205

**OTHER PUBLICATIONS**

Able Planet Linx Fusion Active Noise Canceling Headphones—NC2000BCM : Award-Winning Headphones, Headsets and Accessories, retrieved Feb. 10, 2014, <http://shop.ableplanet.com/noise-cancellation-headphones/linx-fusion/linxr-fusion-nc2000bcm.html>. QuietComfort Acoustic Noise Cancelling Headphones—Bose Product Support, retrieved Feb. 10, 2014, [http://worldwide.bose.com/productsupport/en\\_us/web/qc/page.html](http://worldwide.bose.com/productsupport/en_us/web/qc/page.html). RadioShack 12-932 Headset. Date of sale unknown.

\* cited by examiner

*Primary Examiner* — Paula Greene

(57) **CLAIM**

The ornamental design for headphones, substantially as shown and described.

**DESCRIPTION**

FIG. 1 is a perspective view of a set of headphones as seen from the front and left side;  
FIG. 2 is a perspective view thereof as seen from the front and right side;

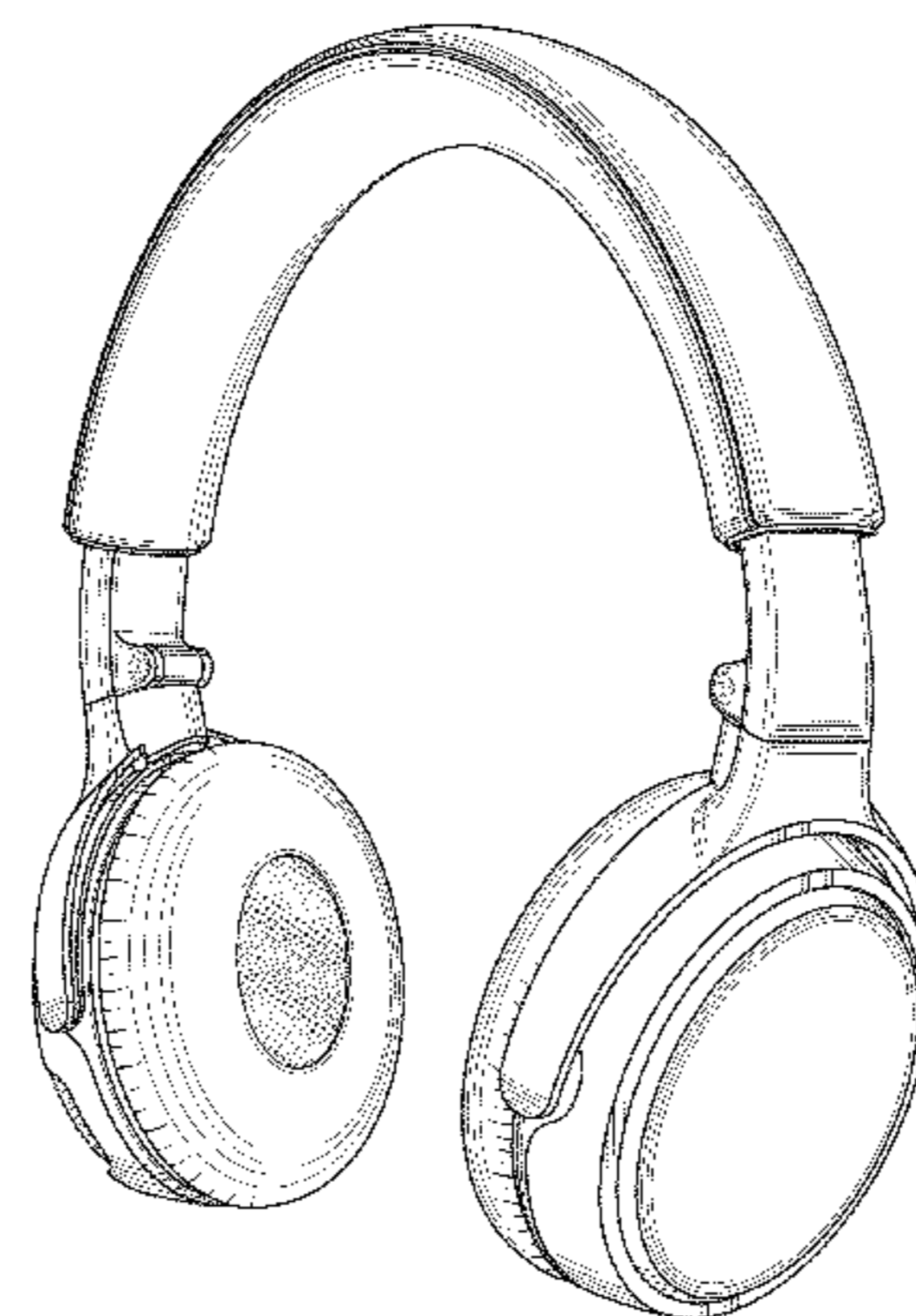
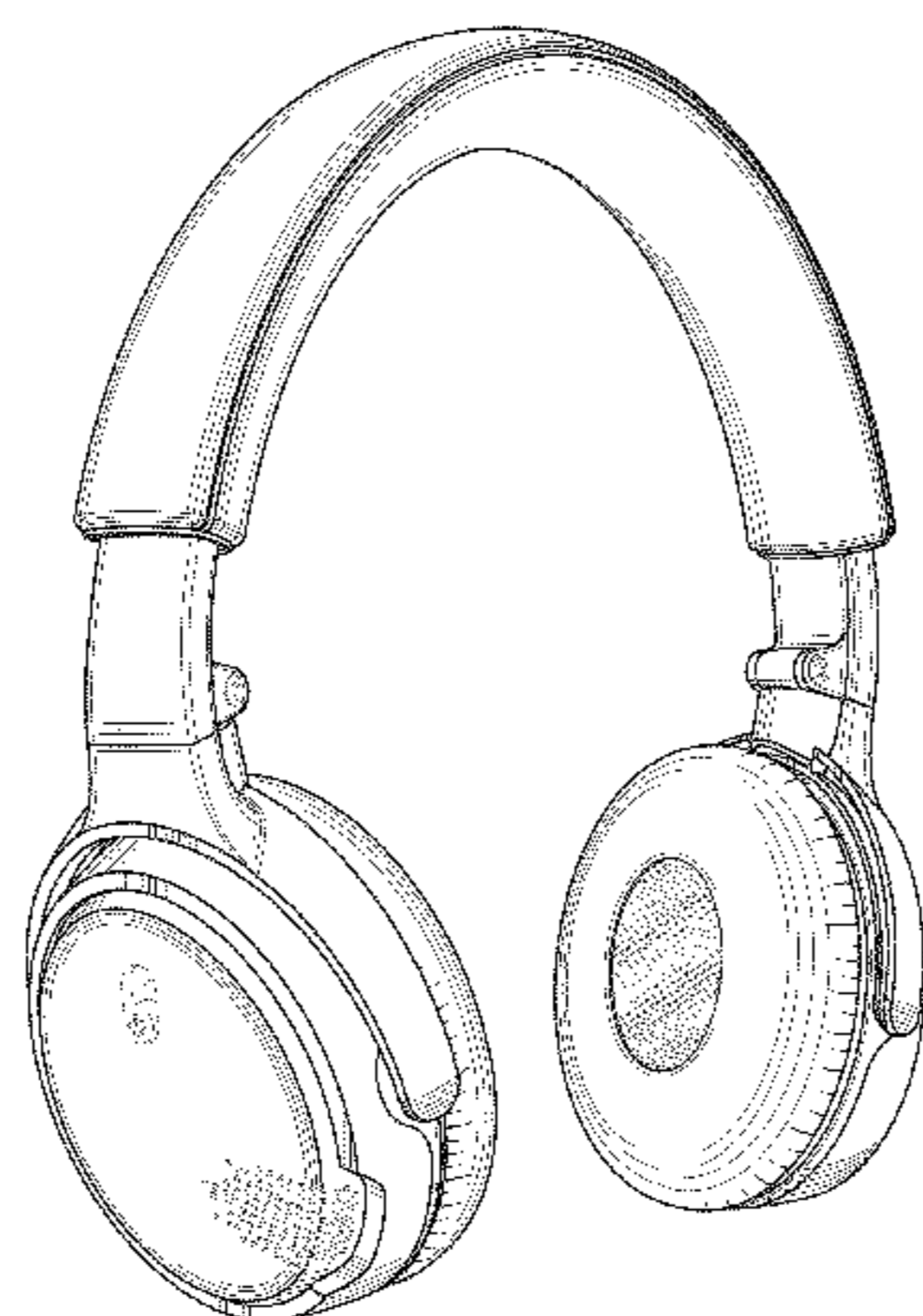


FIG. 3 is a front view thereof;  
FIG. 4 is a back view thereof;  
FIG. 5 is a left side view thereof;  
FIG. 6 is a right side view thereof;  
FIG. 7 is a perspective view thereof as seen from the left side and bottom;  
FIG. 8 is a perspective view thereof as seen from the right side and bottom;  
FIG. 9 is a top end view thereof;  
FIG. 10 is a bottom end view thereof.  
FIG. 11 is a perspective view of a set of headphone ear cups as seen from the front and left side;  
FIG. 12 is a perspective view thereof as seen from the front and right side;  
FIG. 13 is a front view thereof;  
FIG. 14 is a back view thereof;  
FIG. 15 is a left side view thereof;  
FIG. 16 is a right side view thereof;  
FIG. 17 is a perspective view thereof as seen from the left side and bottom;  
FIG. 18 is a perspective view thereof as seen from the right side and bottom;

FIG. 19 is a top end view thereof;  
FIG. 20 is a bottom end view thereof;  
FIG. 21 is a perspective view of a headphone headband as seen from the front and left side;  
FIG. 22 is a perspective view thereof as seen from the front and right side;  
FIG. 23 is a front view thereof;  
FIG. 24 is a back view thereof;  
FIG. 25 is a left side view thereof;  
FIG. 26 is a right side view thereof;  
FIG. 27 is a perspective view thereof as seen from the left side and bottom;  
FIG. 28 is a perspective view thereof as seen from the right side and bottom;  
FIG. 29 is a top end view thereof; and,  
FIG. 30 is a bottom end view thereof.  
The dotted line portions of the drawings represent environmental structure only and do not form part of the claimed design.

**1 Claim, 30 Drawing Sheets**



**FIG. 1**



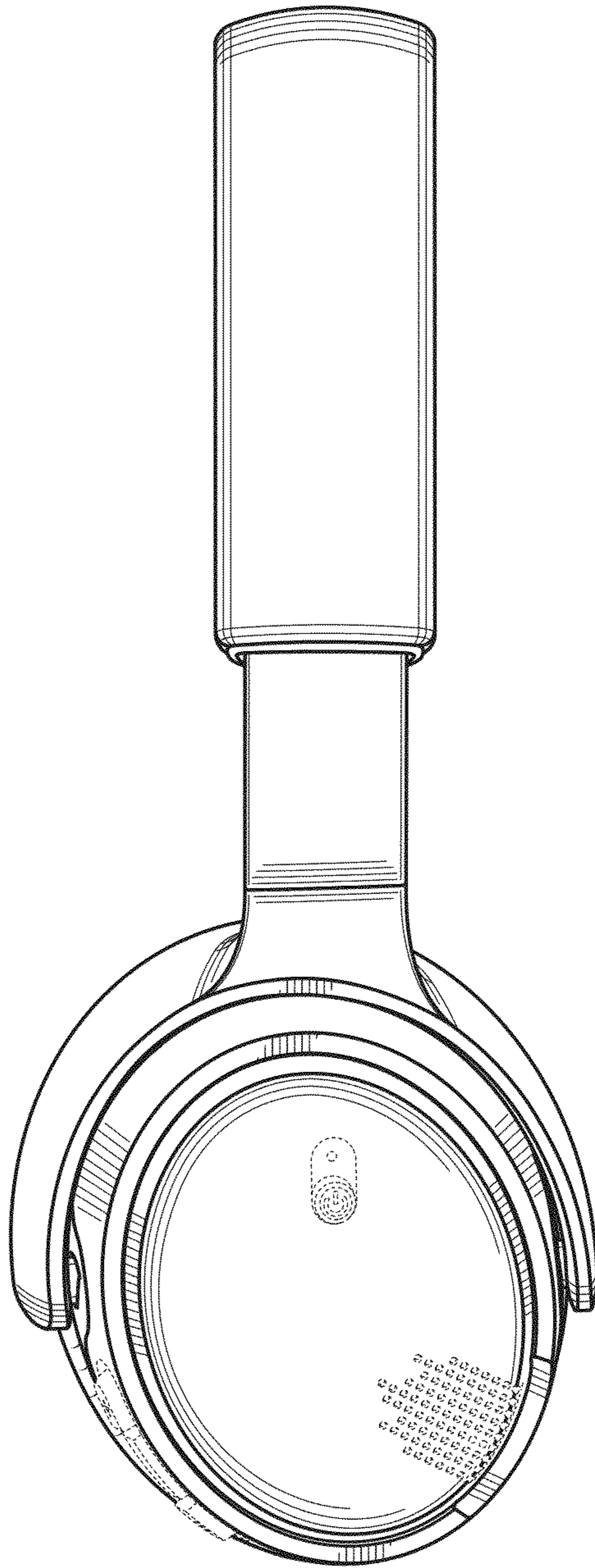
**FIG. 2**



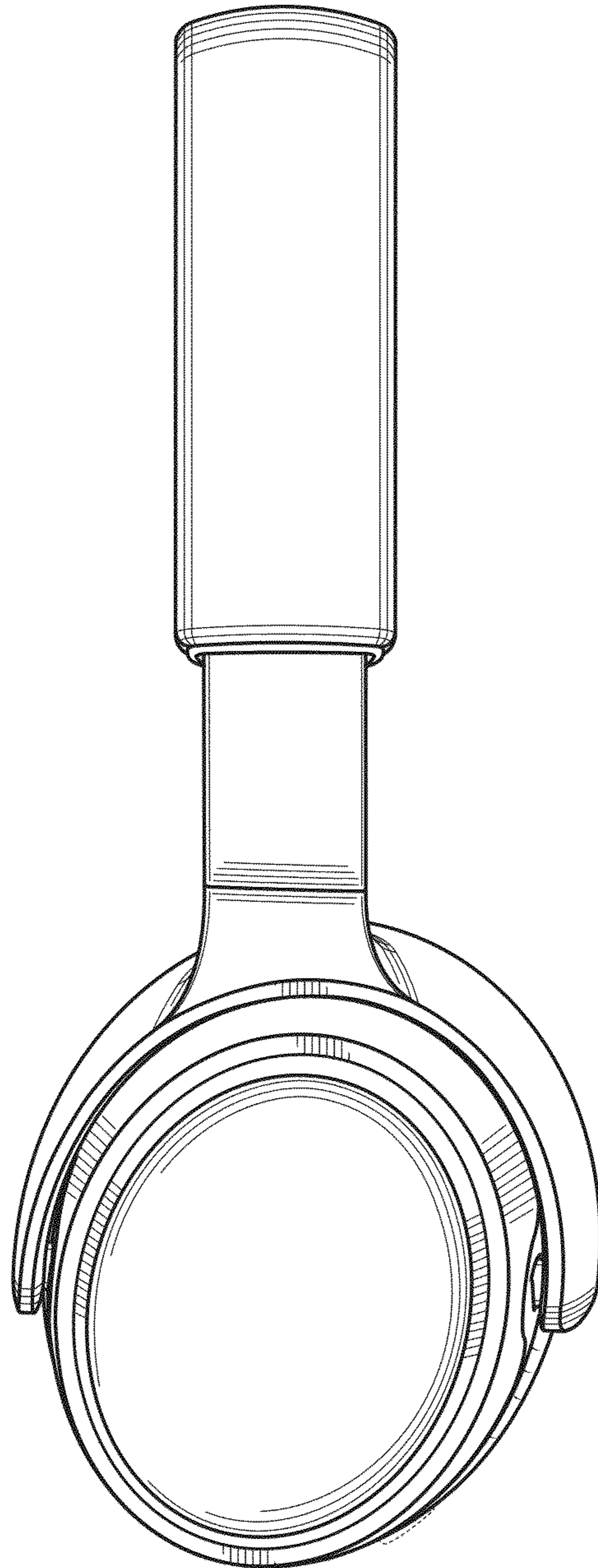
**FIG. 3**



**FIG. 4**

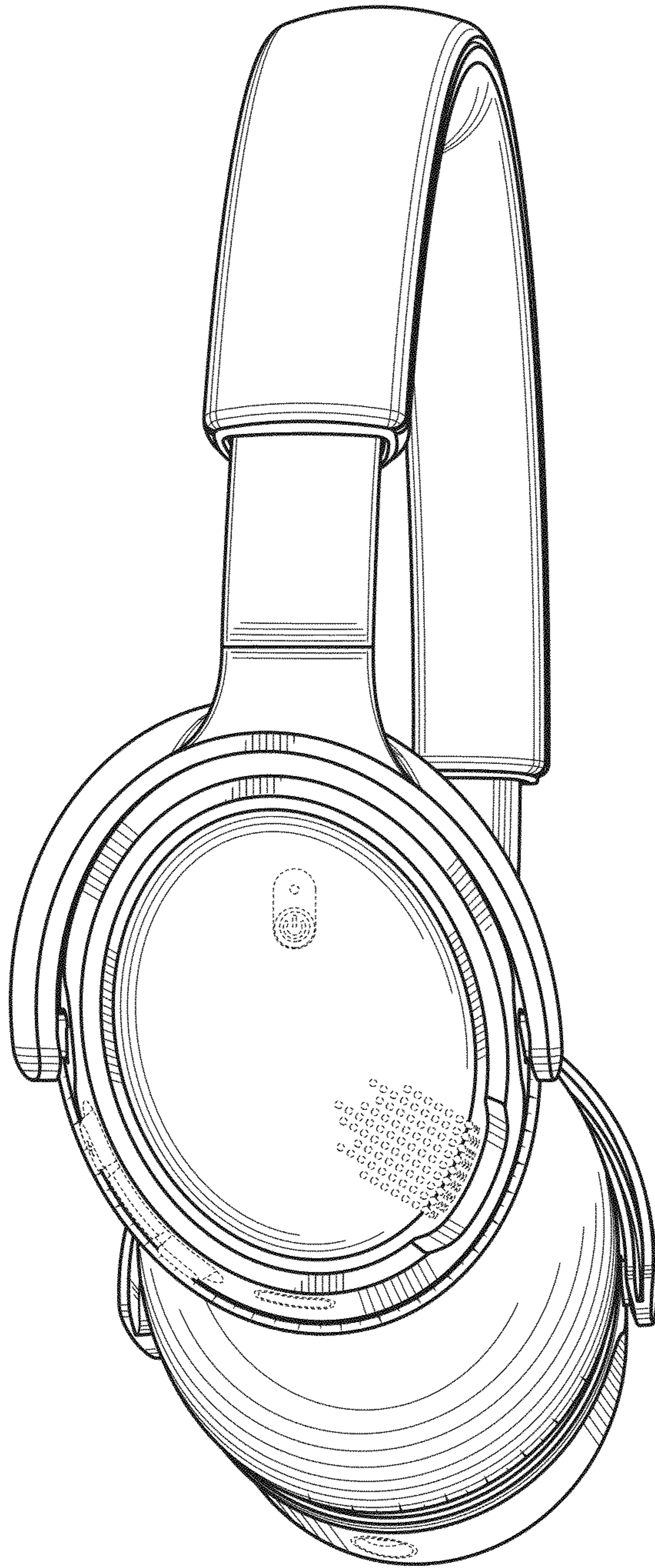


**FIG. 5**

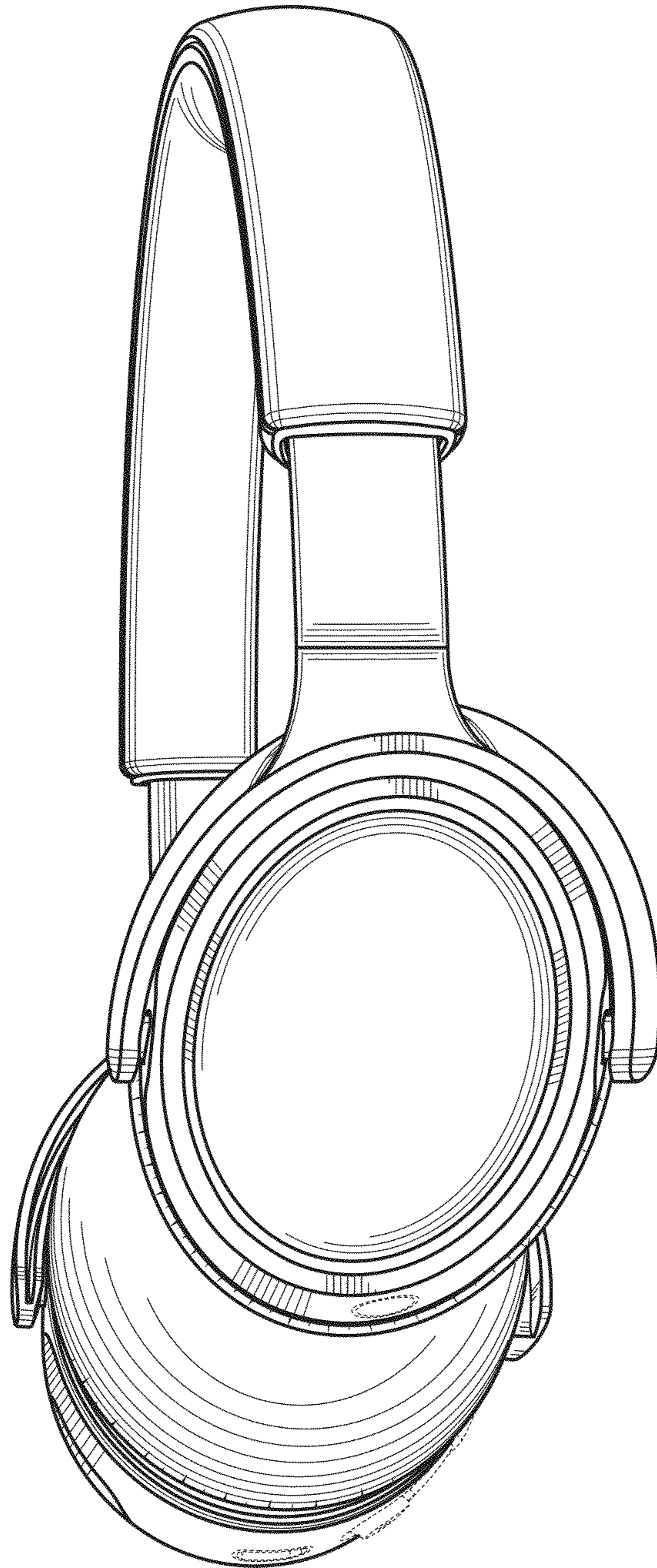


**FIG. 6**

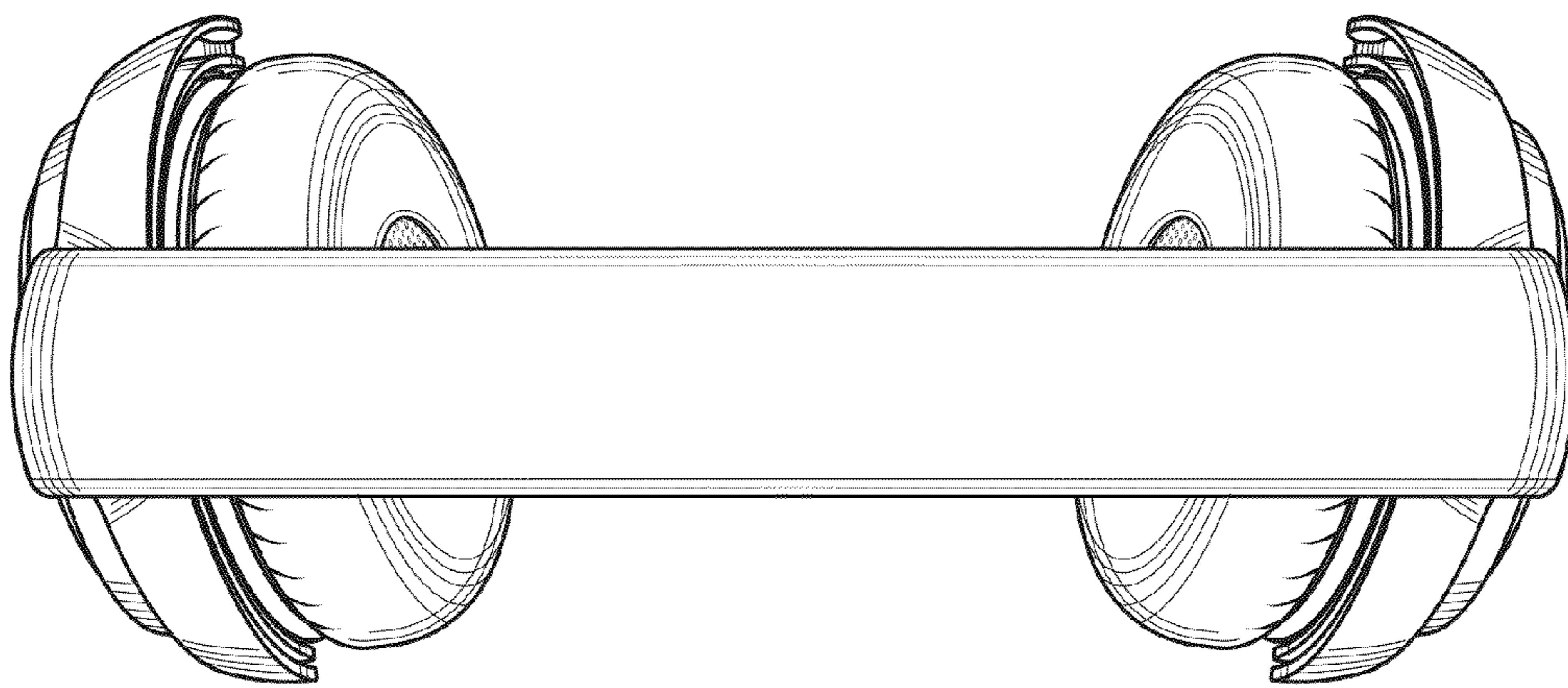




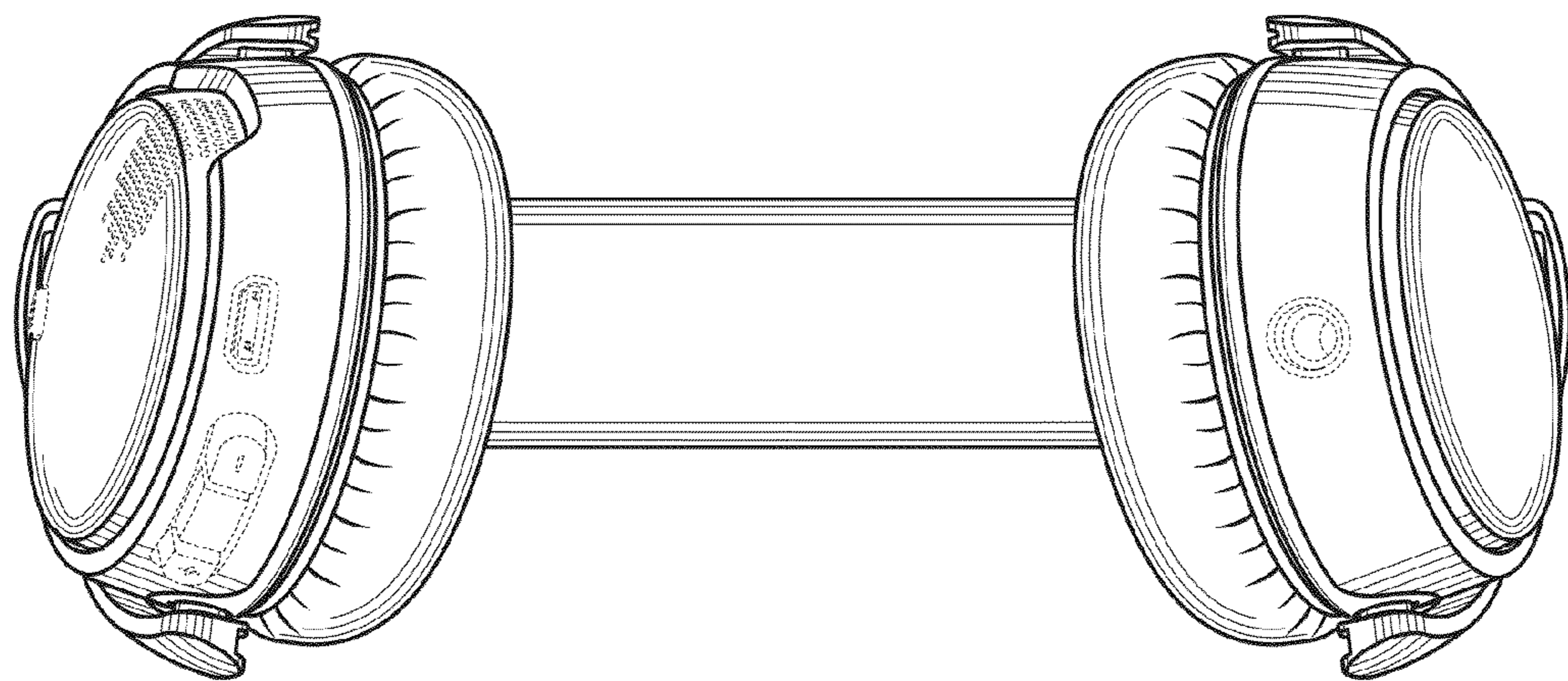
**FIG. 7**



**FIG. 8**



**FIG. 9**



**FIG. 10**



**FIG. 11**



**FIG. 12**

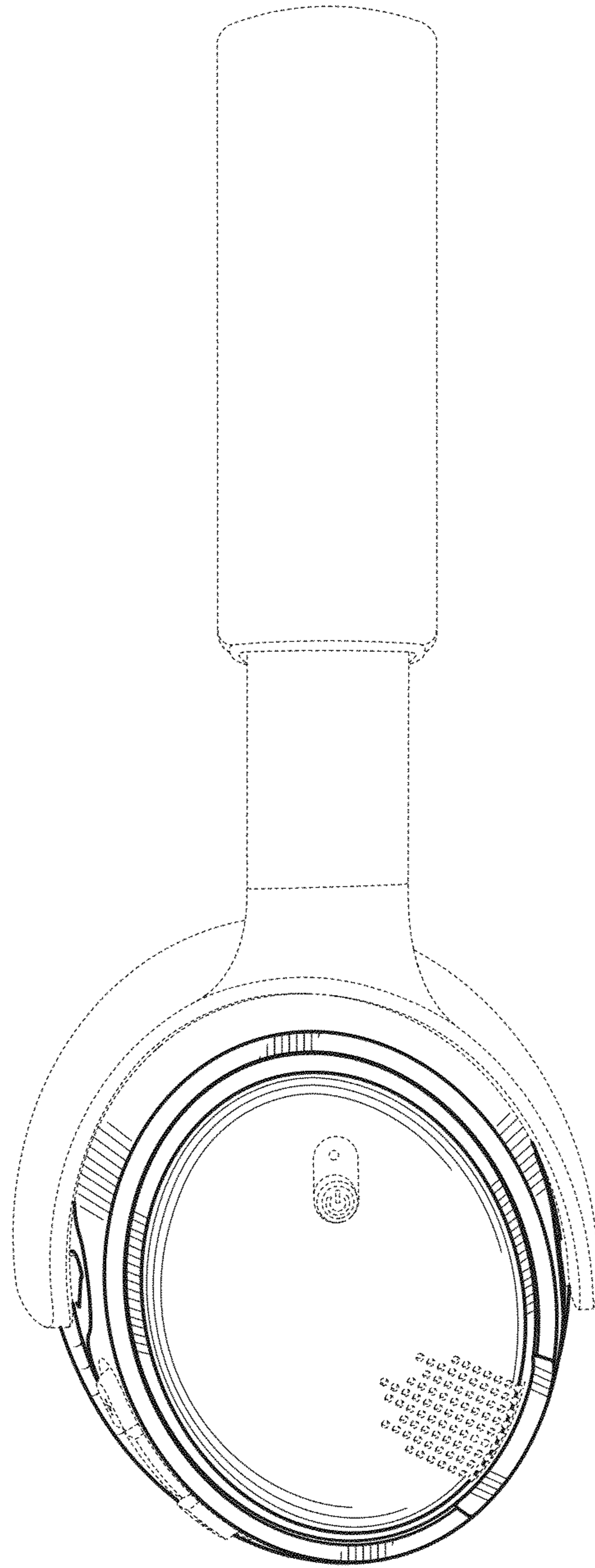


**FIG. 13**

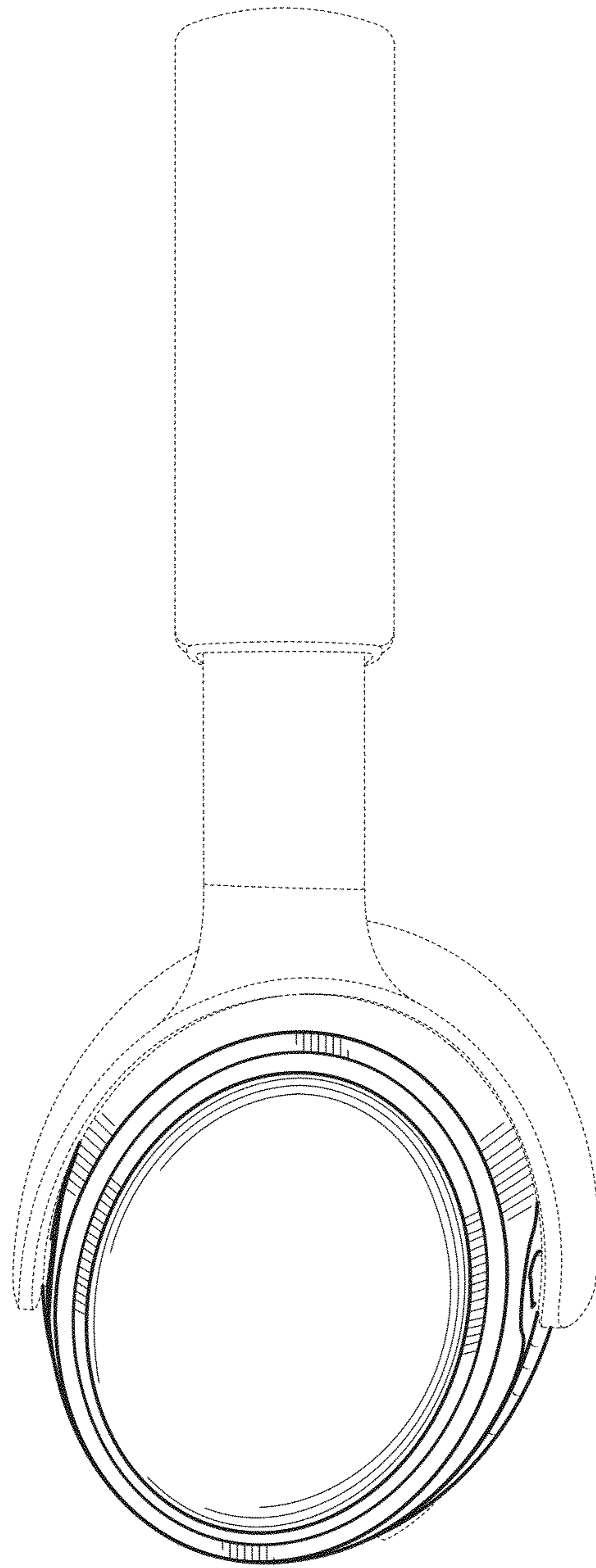


**FIG. 14**

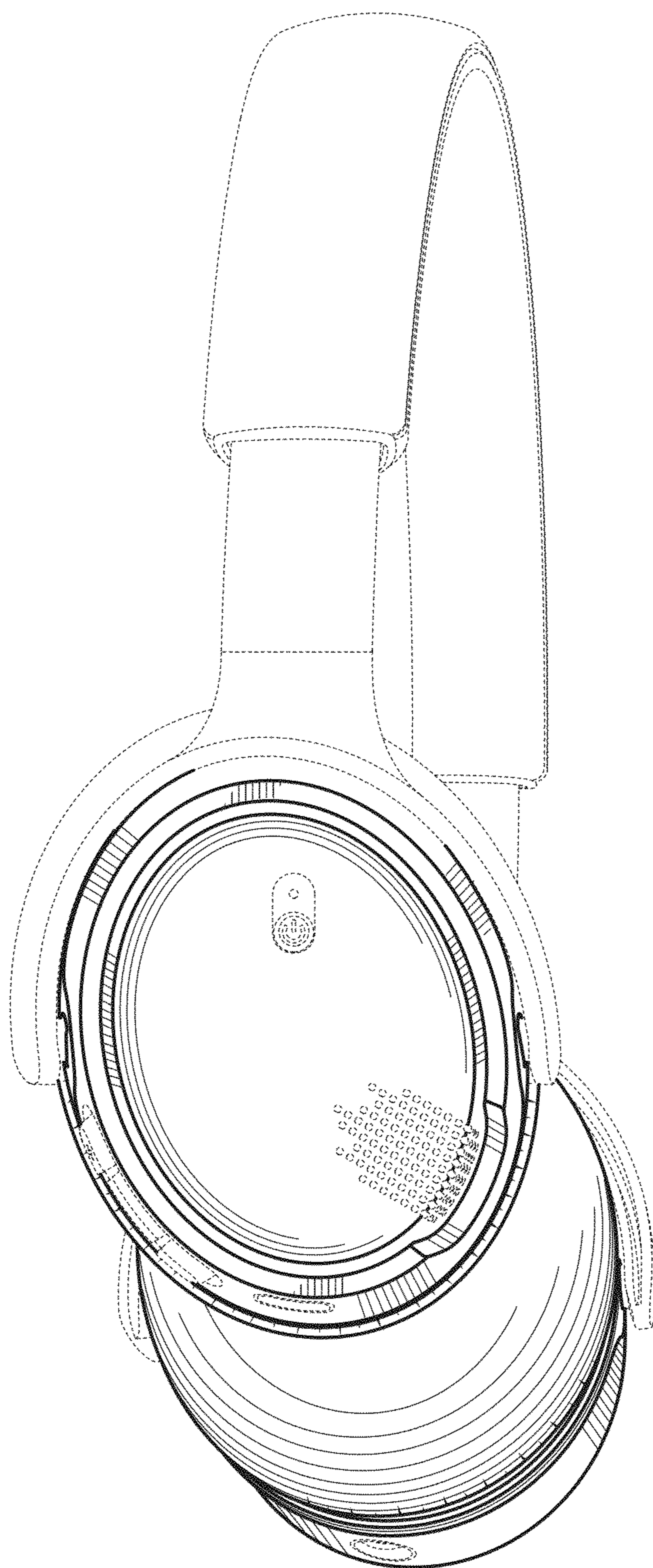




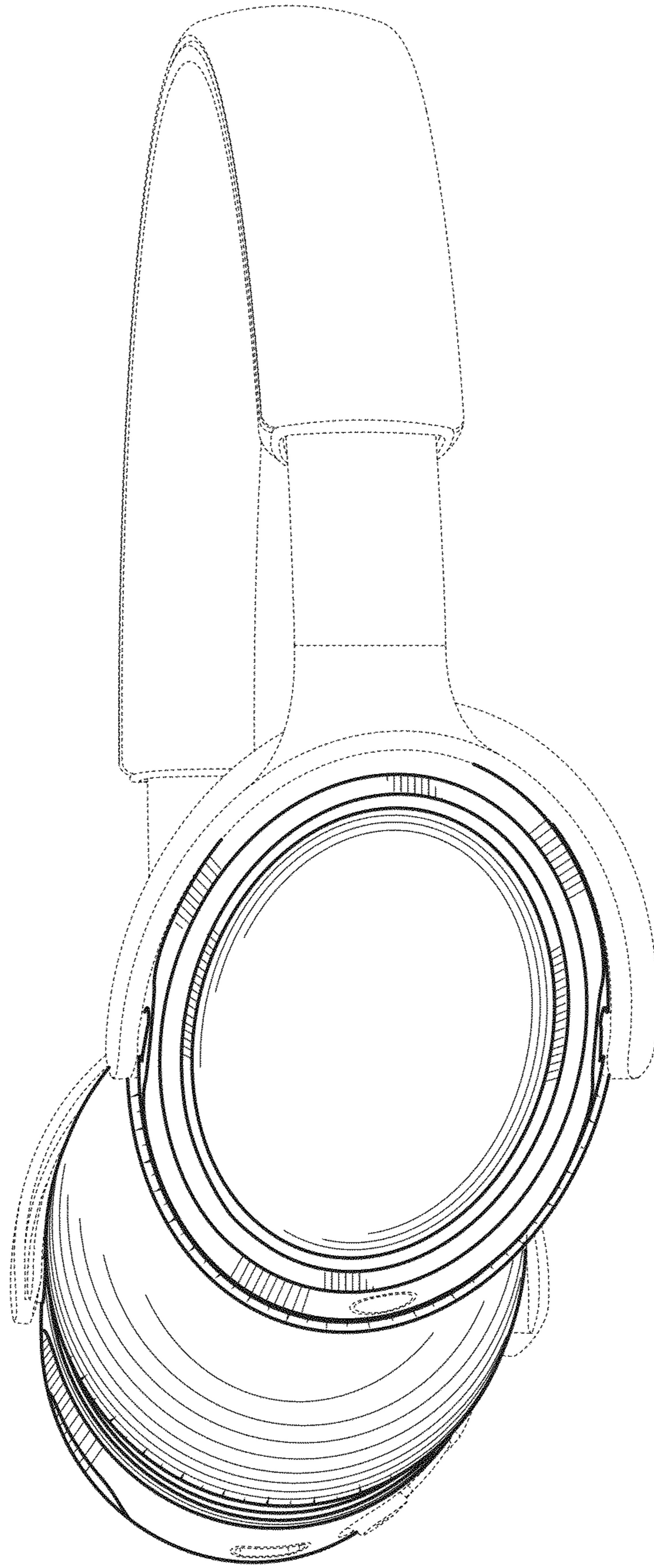
**FIG. 15**



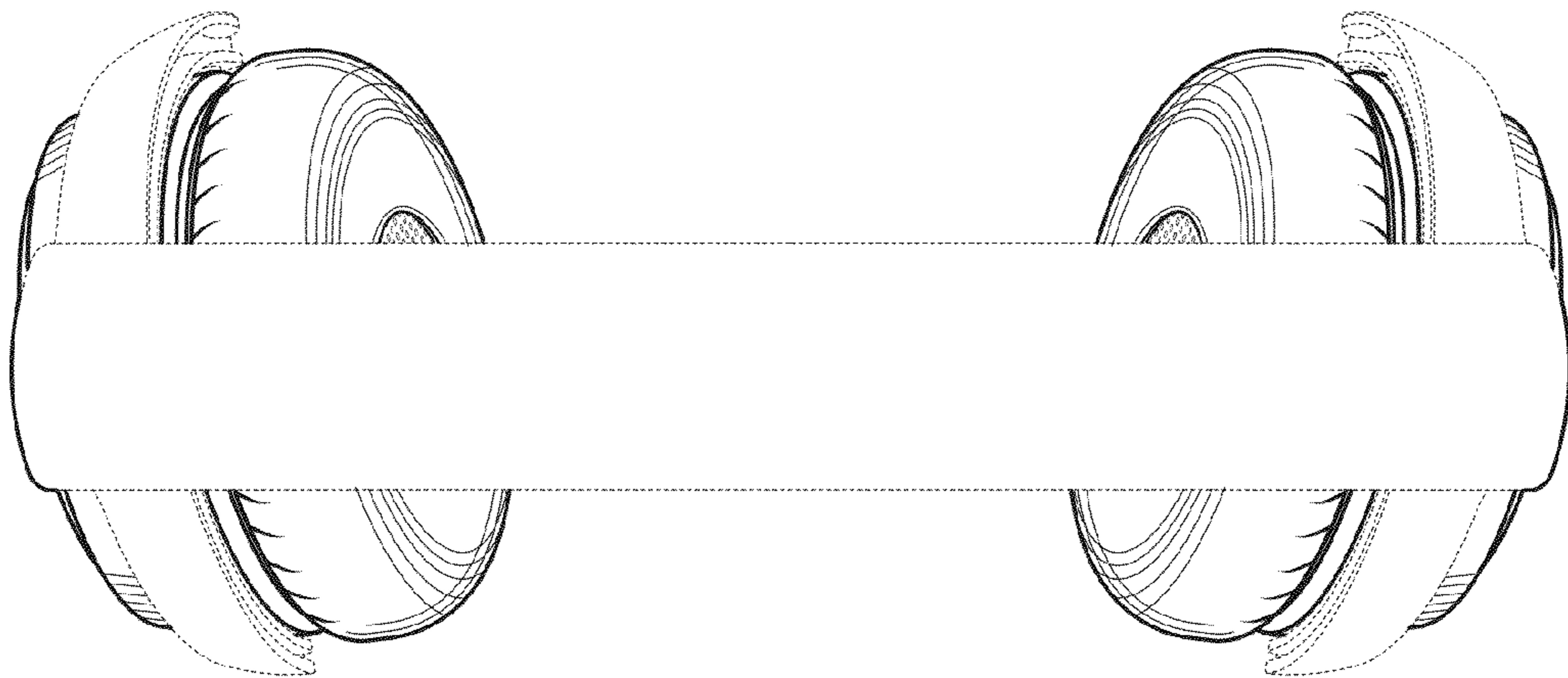
**FIG. 16**



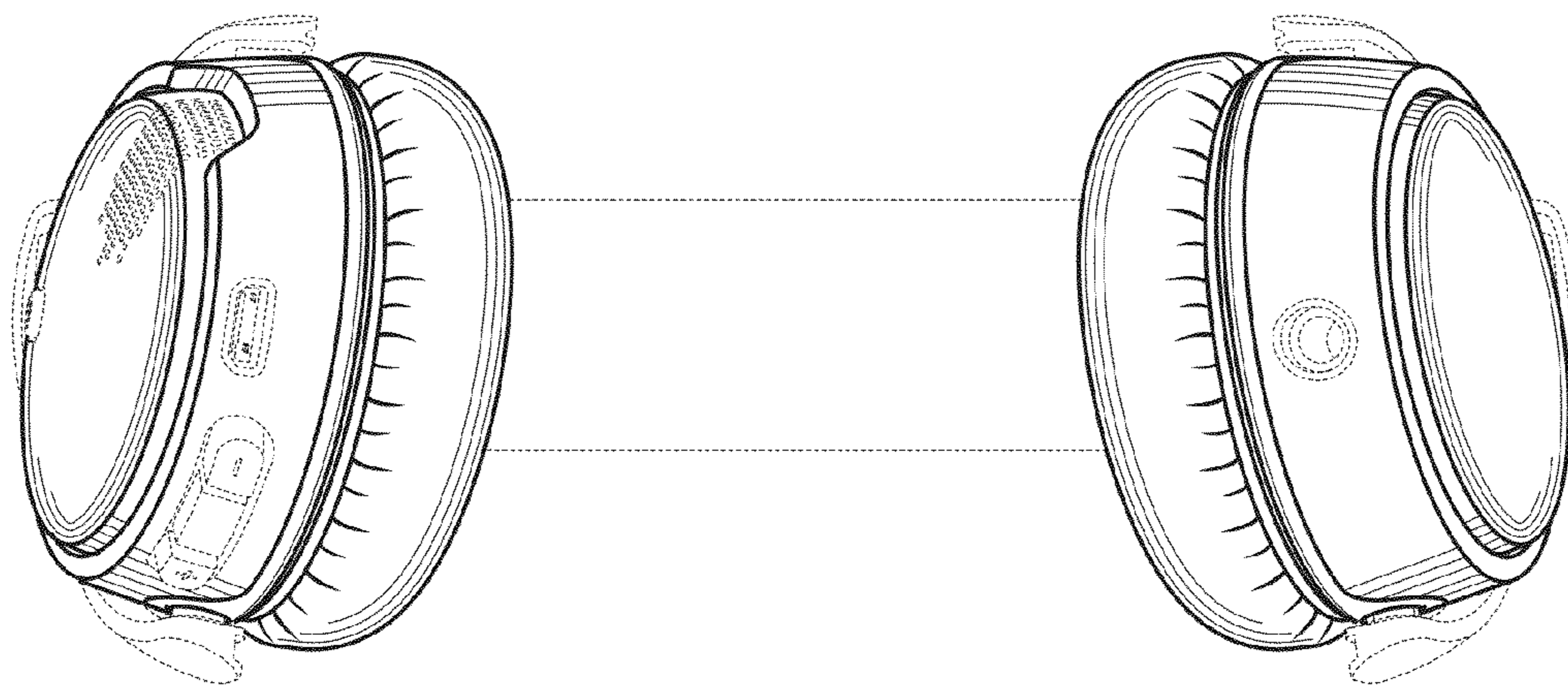
**FIG. 17**



**FIG. 18**



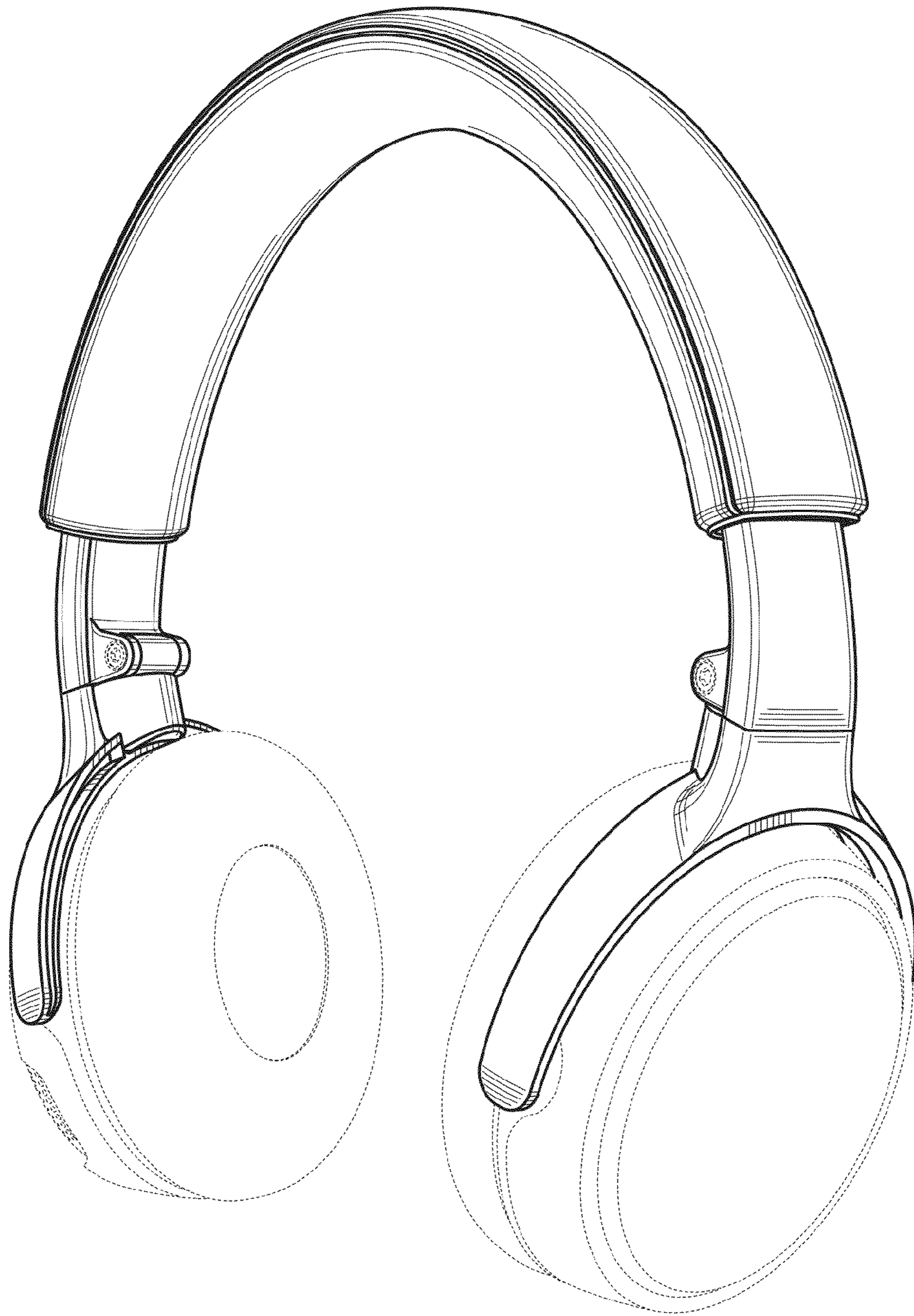
**FIG. 19**



**FIG. 20**



**FIG. 21**



**FIG. 22**

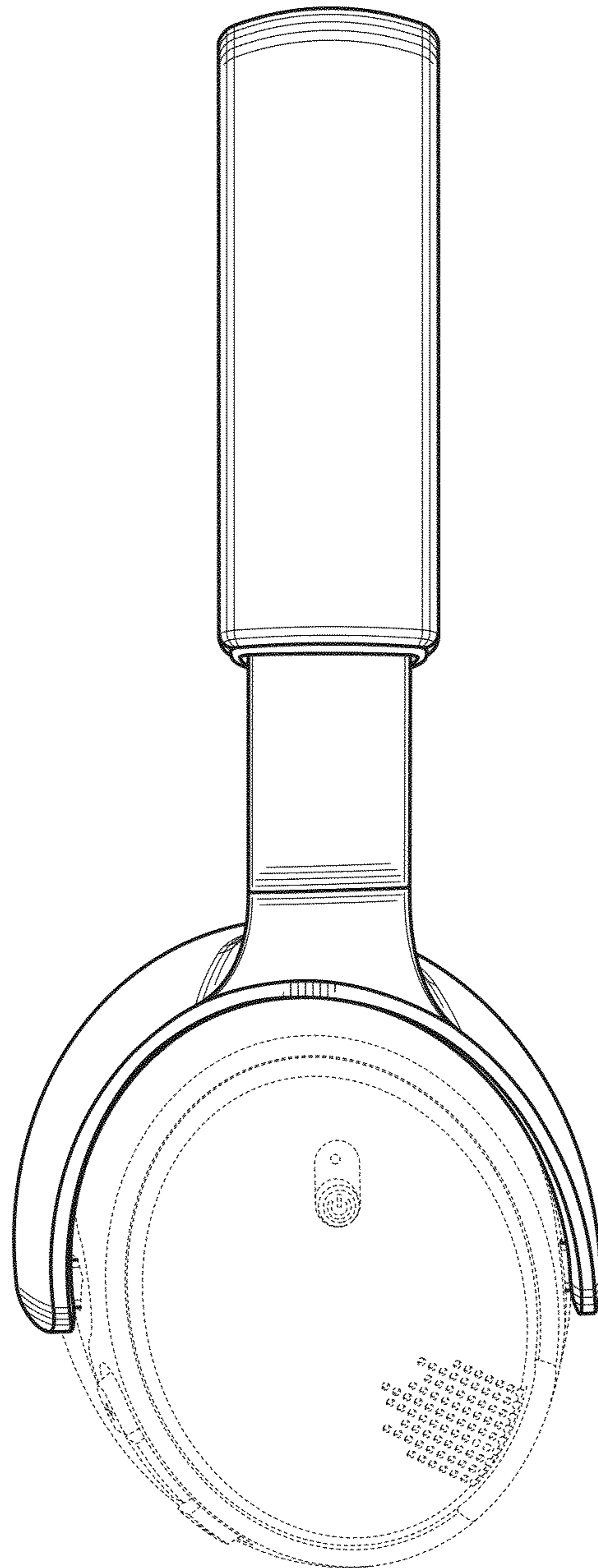




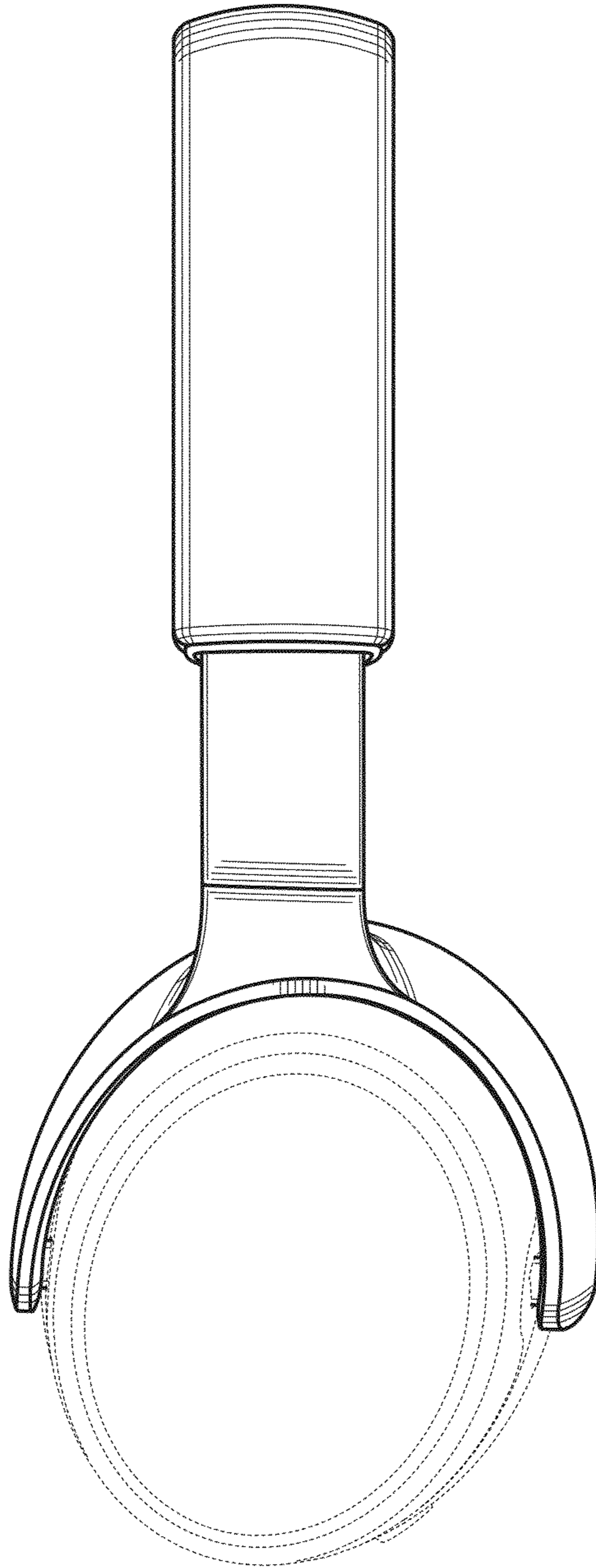
**FIG. 23**



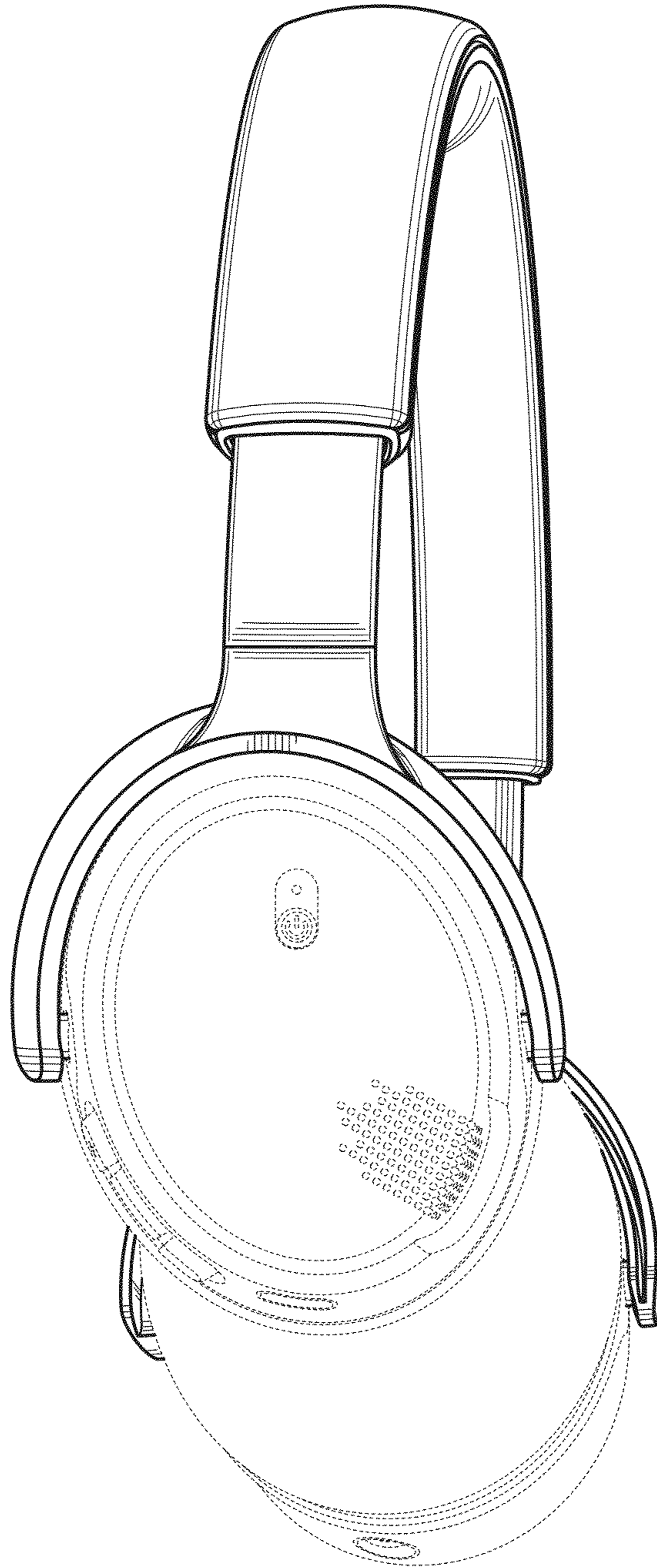
**FIG. 24**



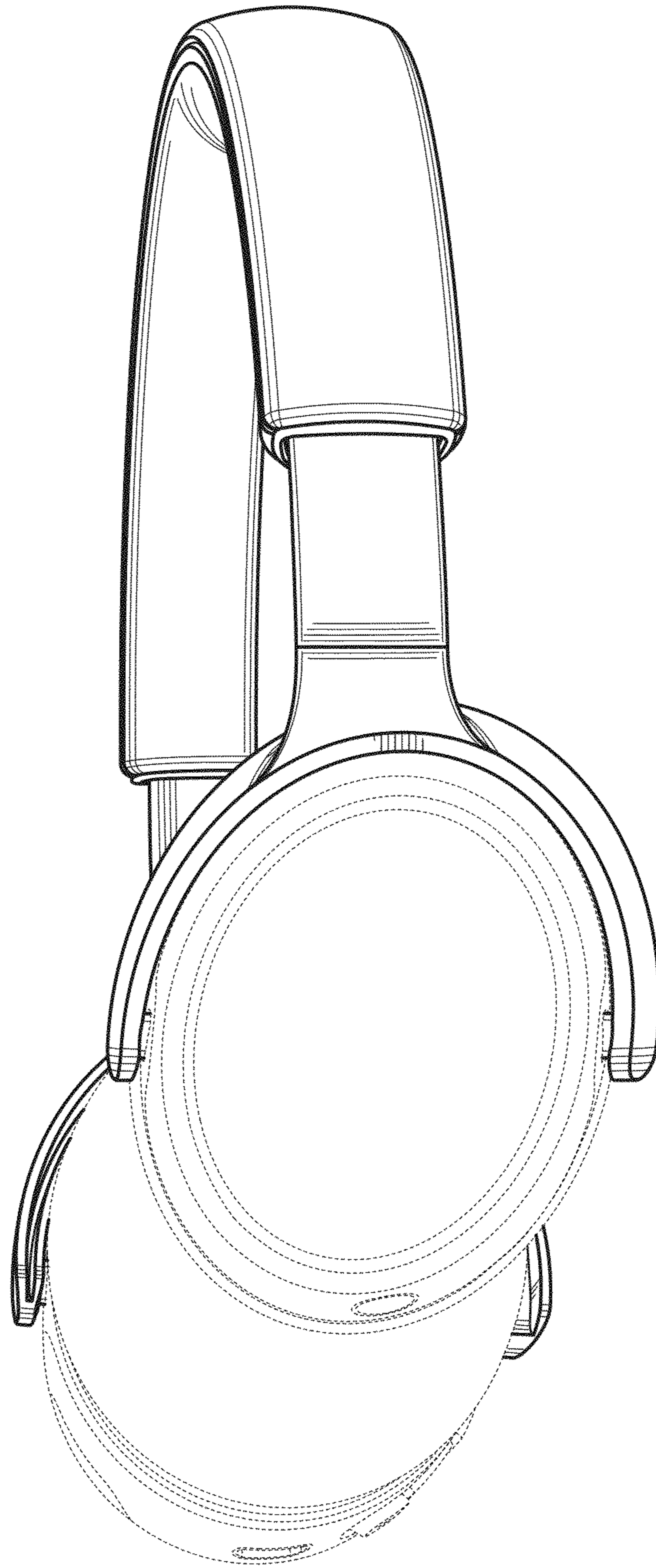
**FIG. 25**



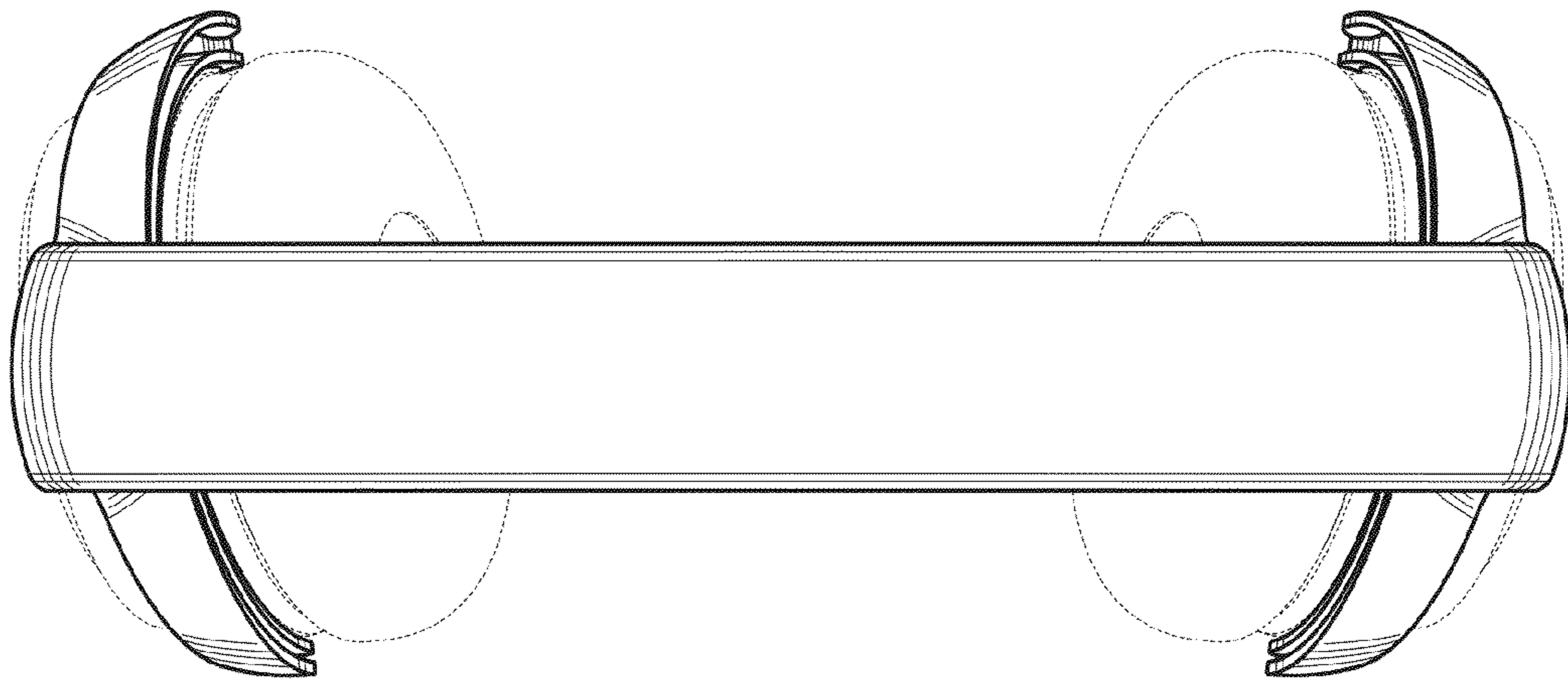
**FIG. 26**



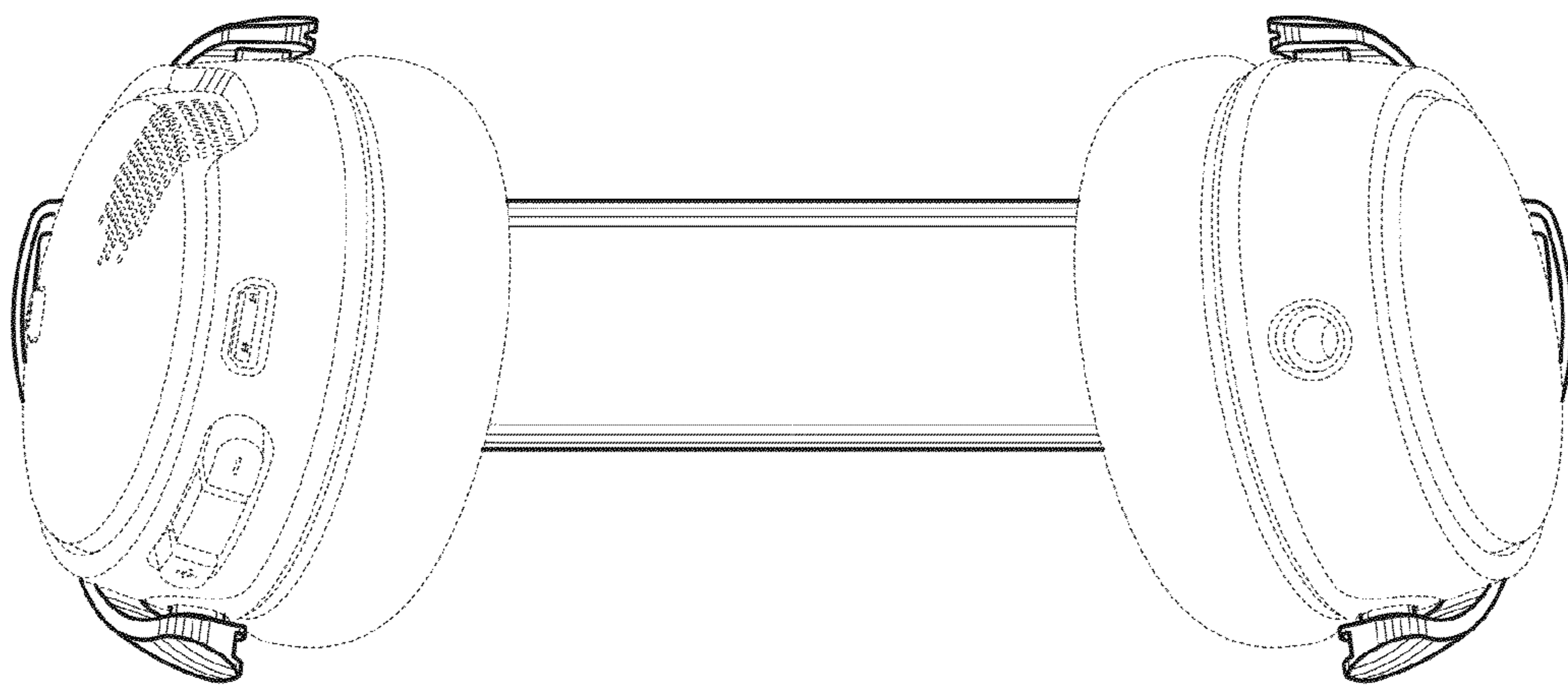
**FIG. 27**



**FIG. 28**



**FIG. 29**



**FIG. 30**