



US00D719135S

(12) **United States Design Patent**
Kelley

(10) **Patent No.:** **US D719,135 S**
(45) **Date of Patent:** **** Dec. 9, 2014**

- (54) **COMMUNICATIONS HEADSET**
- (71) Applicant: **Plantronics, Inc.**, Santa Cruz, CA (US)
- (72) Inventor: **John Kelley**, Santa Cruz, CA (US)
- (73) Assignee: **Plantronics, Inc.**, Santa Cruz, CA (US)
- (**) Term: **14 Years**
- (21) Appl. No.: **29/471,308**
- (22) Filed: **Oct. 30, 2013**
- (51) **LOC (10) Cl.** **14-01**
- (52) **U.S. Cl.**
USPC **D14/205**
- (58) **Field of Classification Search**
CPC H04R 25/00
USPC D14/205, 206; D29/112; 2/209;
181/129, 130, 135; 379/430, 431;
381/380, 381; 455/90.3, 569.1
See application file for complete search history.

(56) **References Cited**

U.S. PATENT DOCUMENTS

535,615	A *	3/1895	Dean	379/319
1,555,997	A *	10/1925	Lidberg	381/378
1,985,722	A *	12/1934	Erickson	381/398
2,149,341	A *	3/1939	Harrison	381/379
2,593,892	A *	4/1952	Kindel	181/129
2,858,544	A *	11/1958	Roth	2/209
2,899,683	A *	8/1959	Wadsworth et al.	2/209
3,192,326	A *	6/1965	Chapman	379/447
D203,677	S *	2/1966	Spilman	D14/205
3,272,926	A *	9/1966	Falkenberg	381/372
3,311,713	A *	3/1967	Knuebel	381/375
3,505,684	A *	4/1970	Hutchinson et al.	2/209
3,562,816	A *	2/1971	Hutchinson	2/209
D228,352	S *	9/1973	Itagaki	D14/205
3,787,899	A *	1/1974	Krawagna	2/209
D266,244	S *	9/1982	Hofer et al.	D14/205
4,437,538	A *	3/1984	Ohlsson et al.	181/129
4,571,746	A *	2/1986	Gorike	2/209
D318,053	S *	7/1991	Ludeke et al.	D14/206

D328,461	S *	8/1992	Daido et al.	D14/205
D353,818	S *	12/1994	Nakamura	D14/205
5,551,090	A *	9/1996	Thompson	2/209
D394,437	S *	5/1998	Landreth et al.	D14/206
D409,197	S *	5/1999	Nakamura	D14/205
D494,154	S	8/2004	Polito	
D498,470	S	11/2004	Skulley et al.	
6,980,666	B1 *	12/2005	Owen	381/371
D514,086	S	1/2006	Skulley	
D560,654	S *	1/2008	Feng	D14/205
D654,472	S *	2/2012	Fischer	D14/206
D673,524	S *	1/2013	Brennwald	D14/206
D675,595	S *	2/2013	Cho et al.	D14/205
D684,559	S *	6/2013	Groset et al.	D14/205
D686,593	S *	7/2013	Larsen	D14/205

* cited by examiner

Primary Examiner — Paula Greene

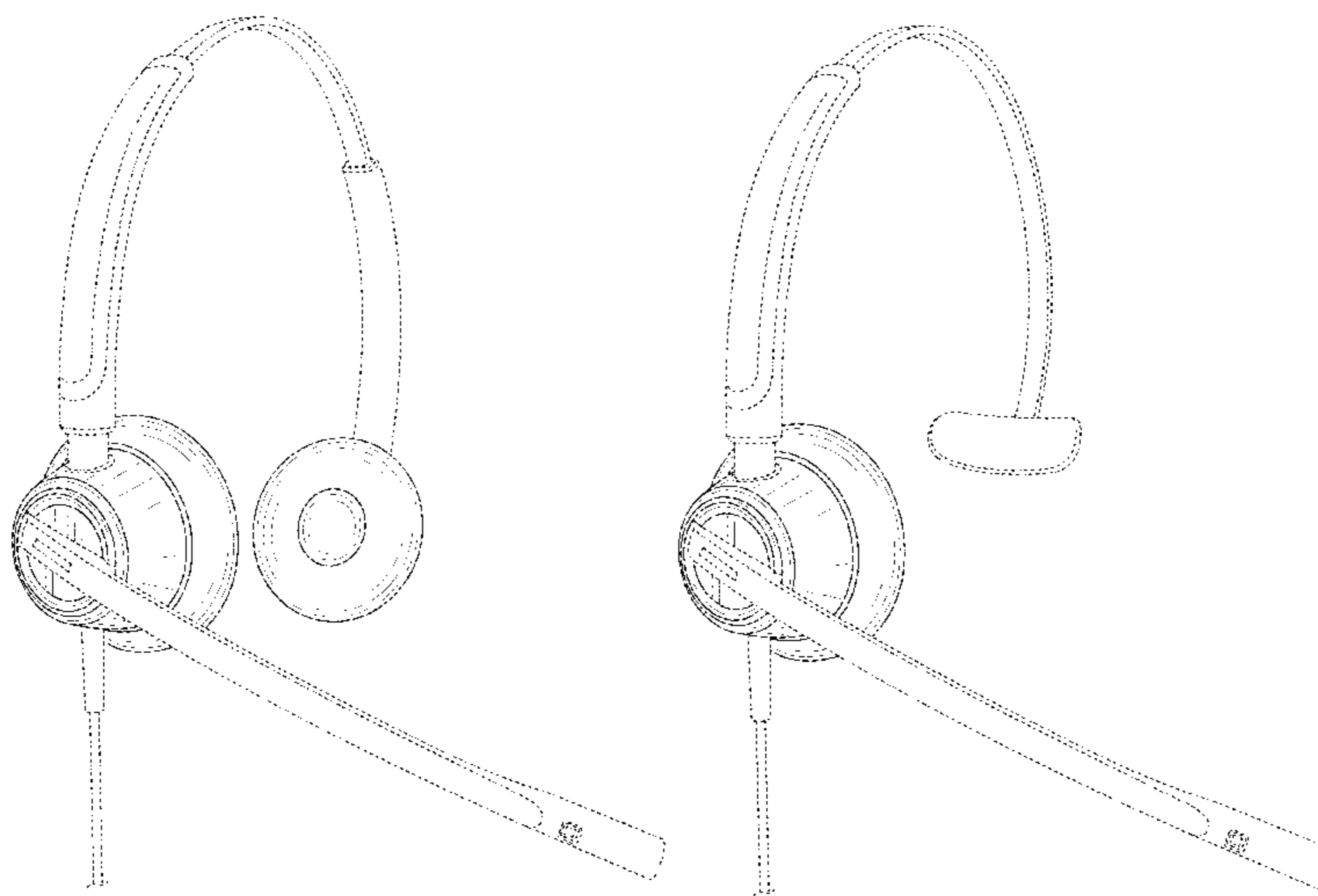
(57) **CLAIM**

The ornamental design for a communications headset, as shown and described.

DESCRIPTION

FIG. 1 is a front-top-left perspective view of a communications headset showing my new design;
 FIG. 2 is a front view thereof;
 FIG. 3 is a back view thereof;
 FIG. 4 is a left side view thereof;
 FIG. 5 is a right side view thereof;
 FIG. 6 is a top view thereof;
 FIG. 7 is a bottom view thereof;
 FIG. 8 is a front-top-left perspective view of a second embodiment showing my new design;
 FIG. 9 is a front view thereof;
 FIG. 10 is a back view thereof;
 FIG. 11 is a left side view thereof;
 FIG. 12 is a right side view thereof;
 FIG. 13 is a top view thereof; and,
 FIG. 14 is a bottom view thereof.
 The broken lines showing the unclaimed features form no part of the claimed design.

1 Claim, 14 Drawing Sheets



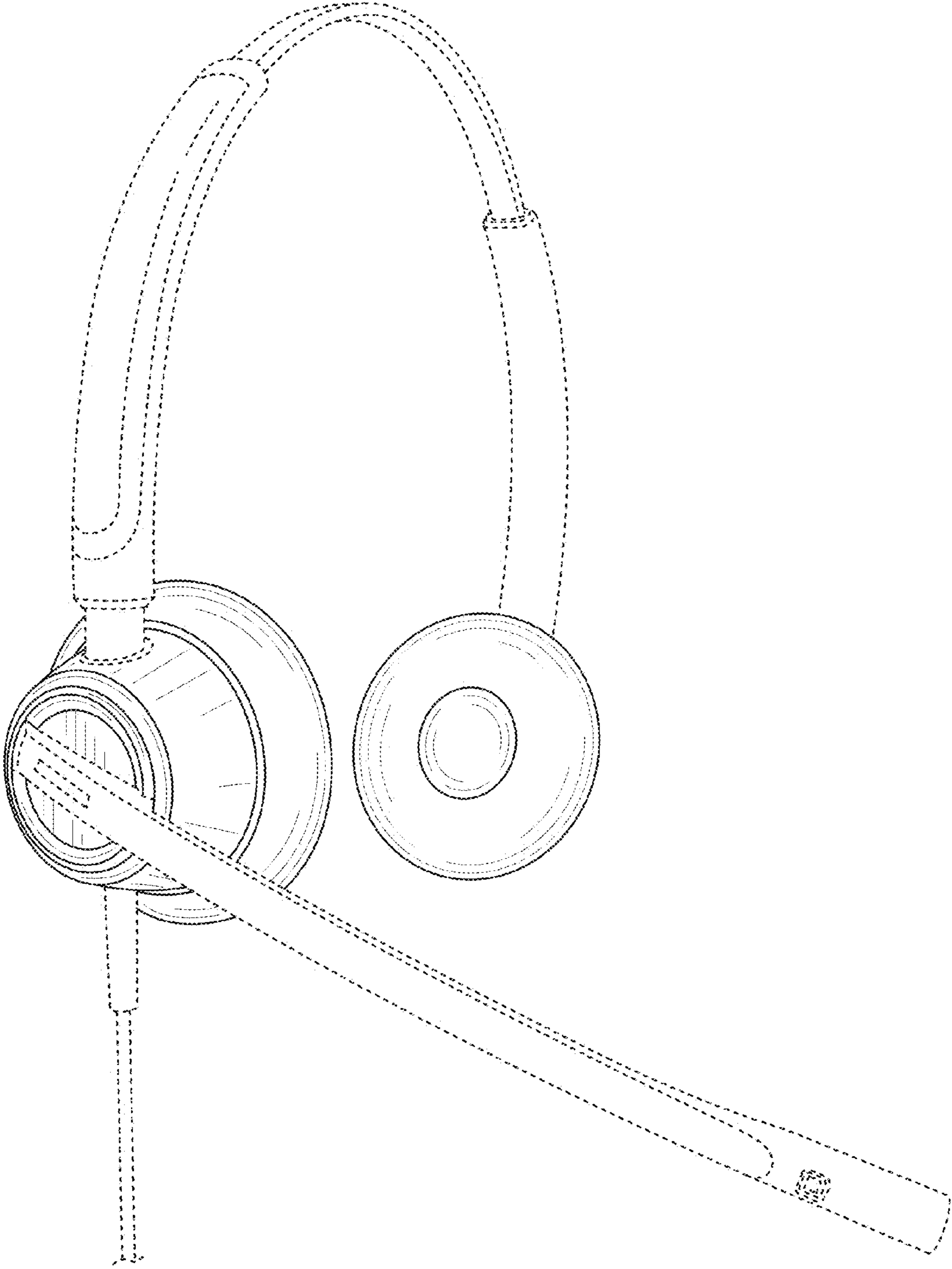


FIG. 1

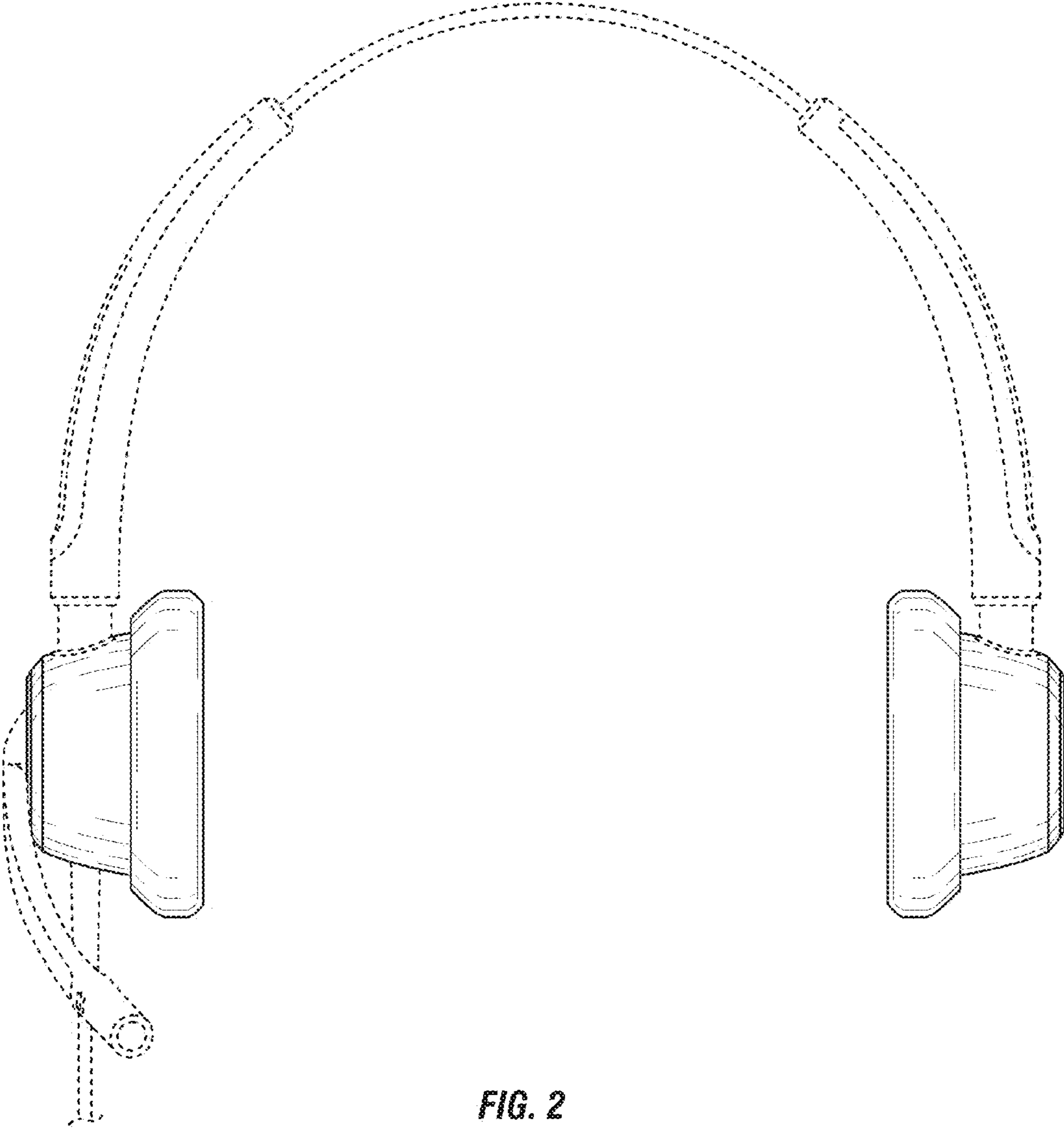


FIG. 2

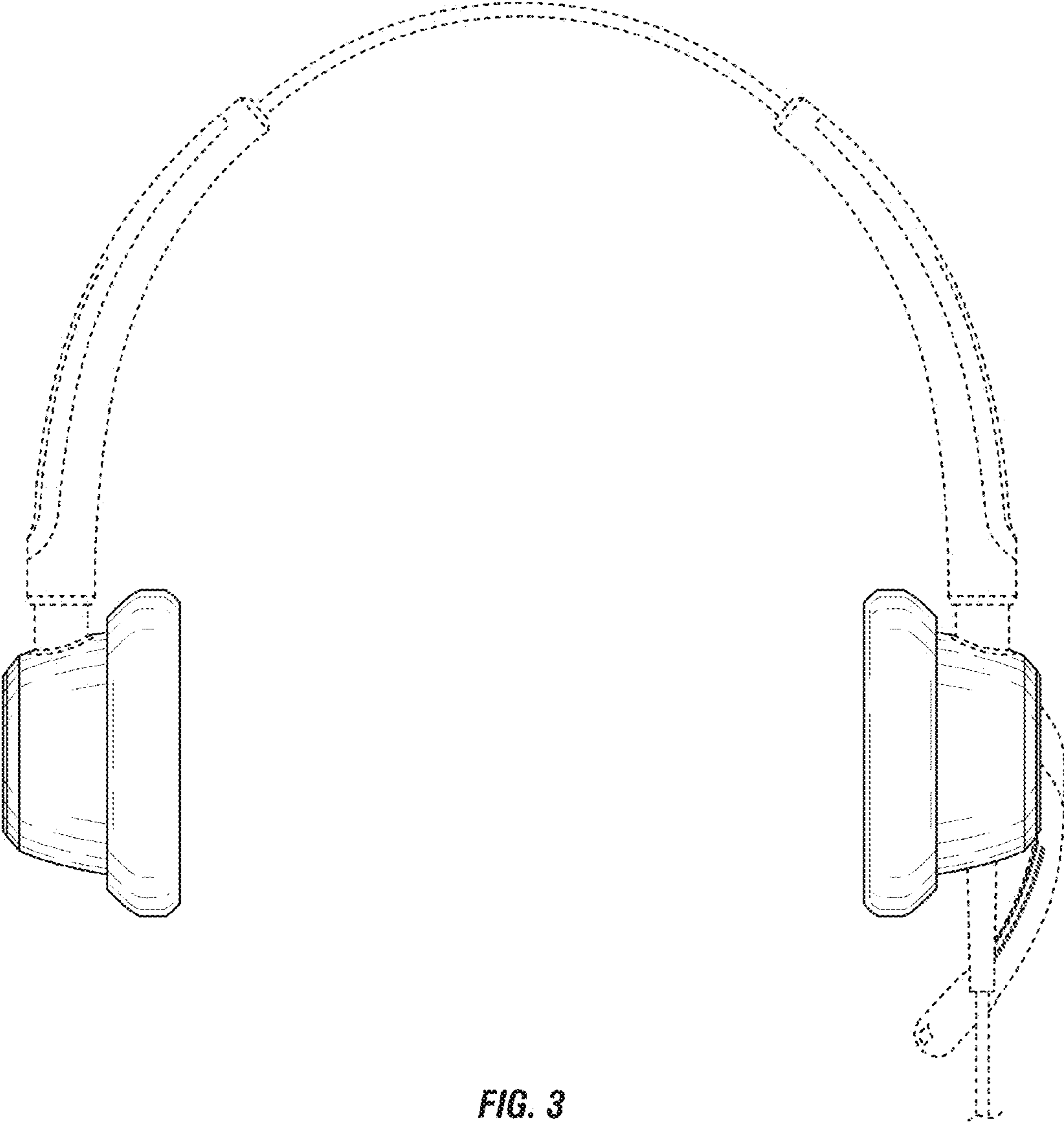


FIG. 3

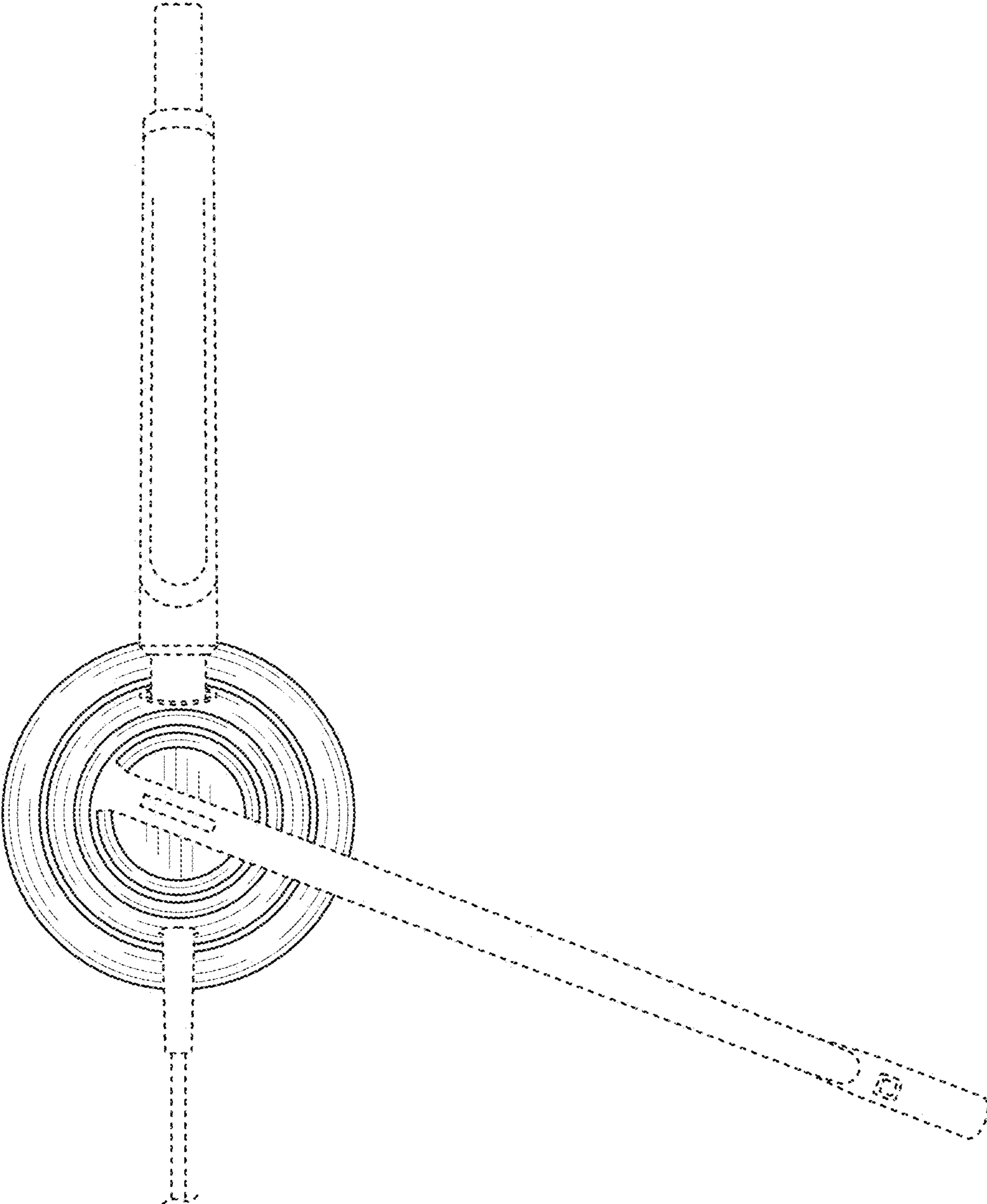


FIG. 4

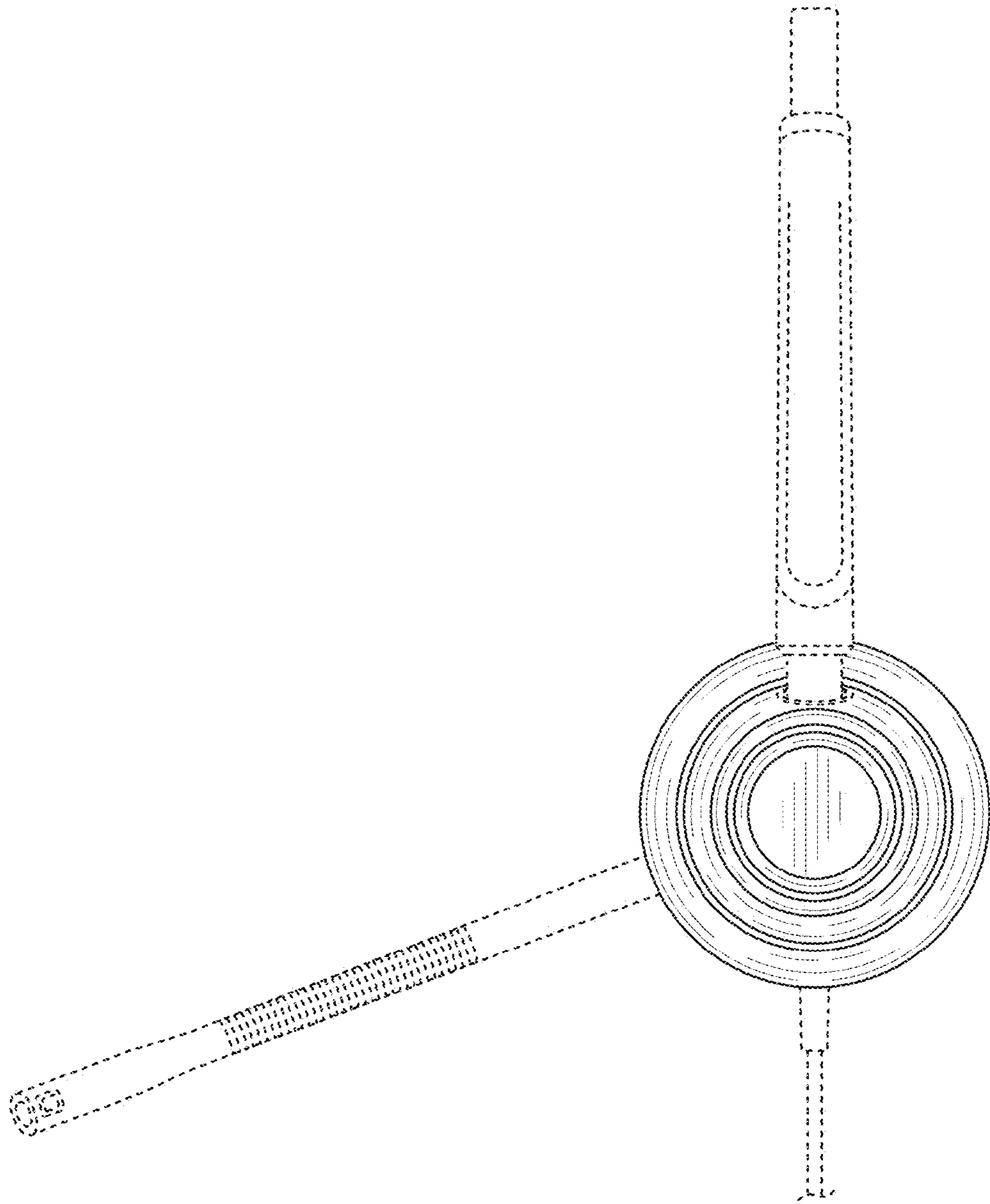


FIG. 5

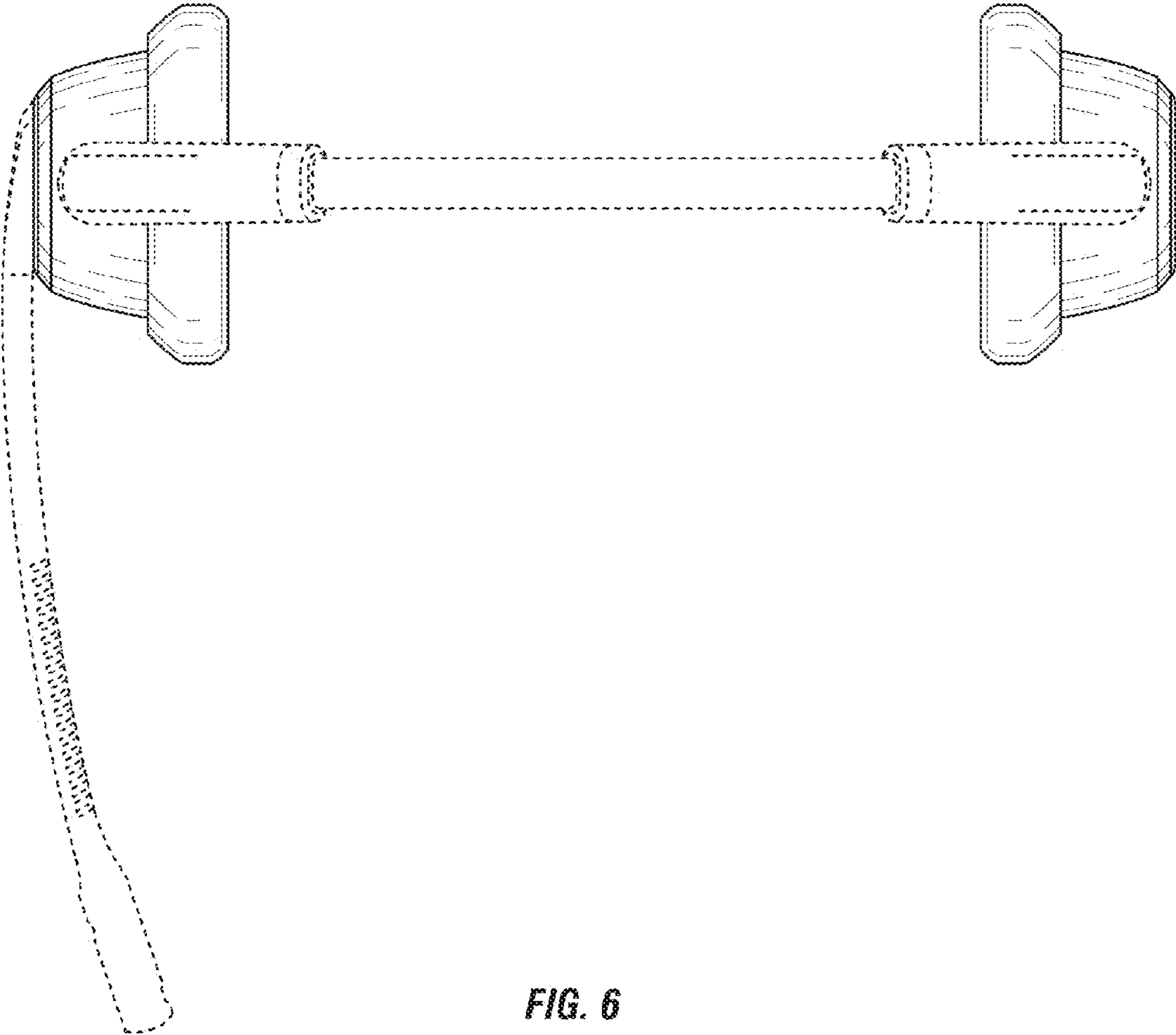


FIG. 6

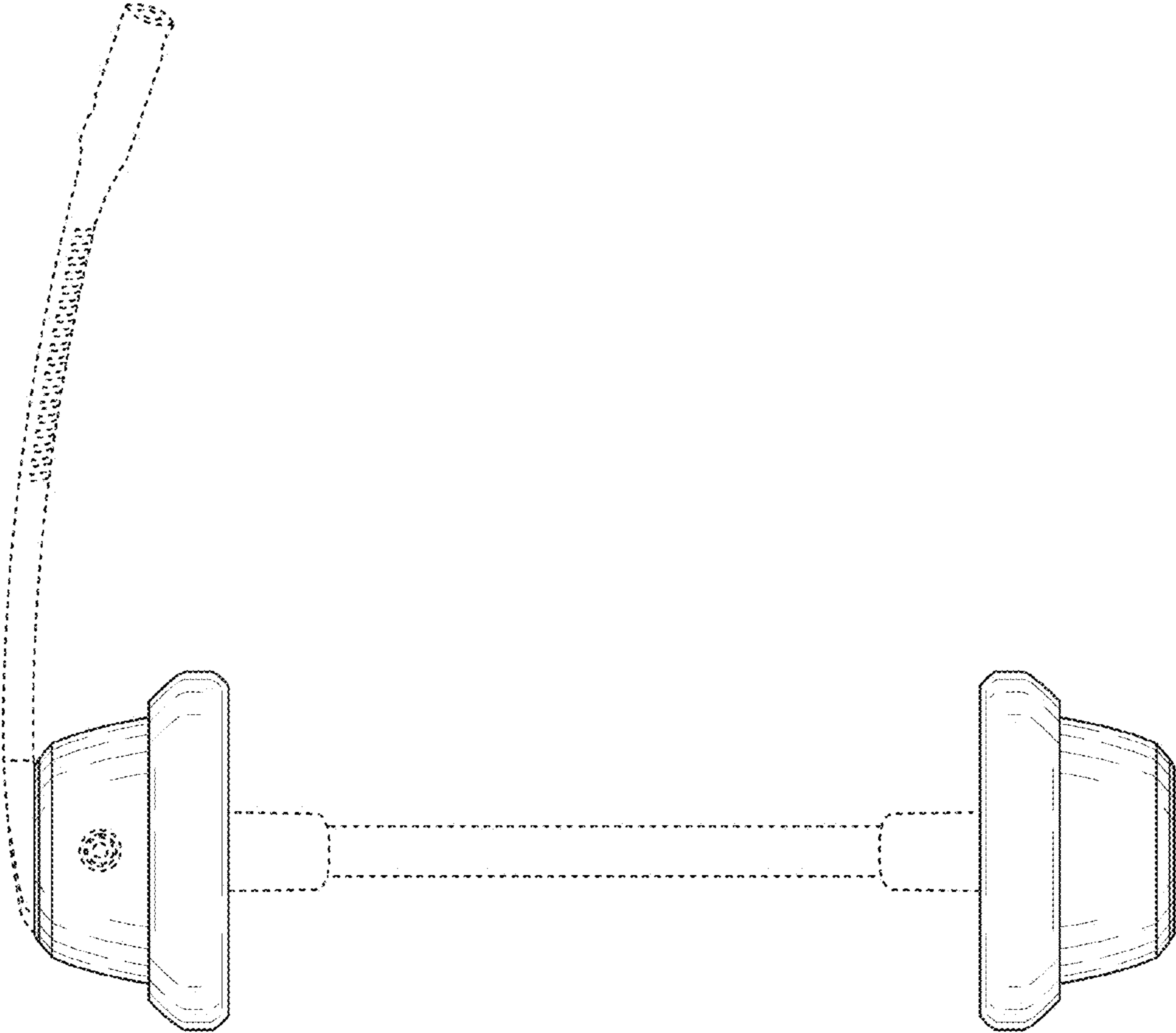


FIG. 7

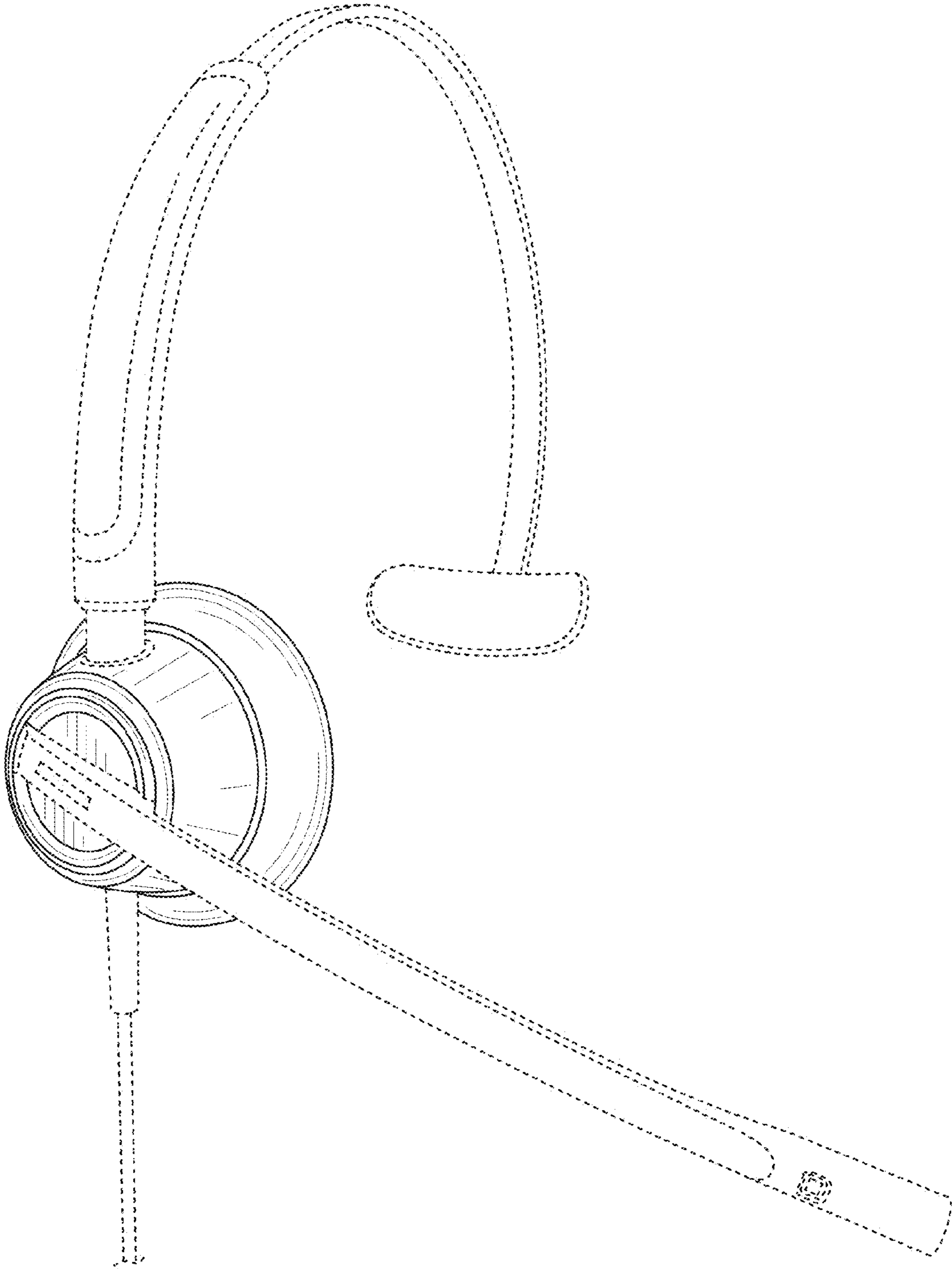


FIG. 8

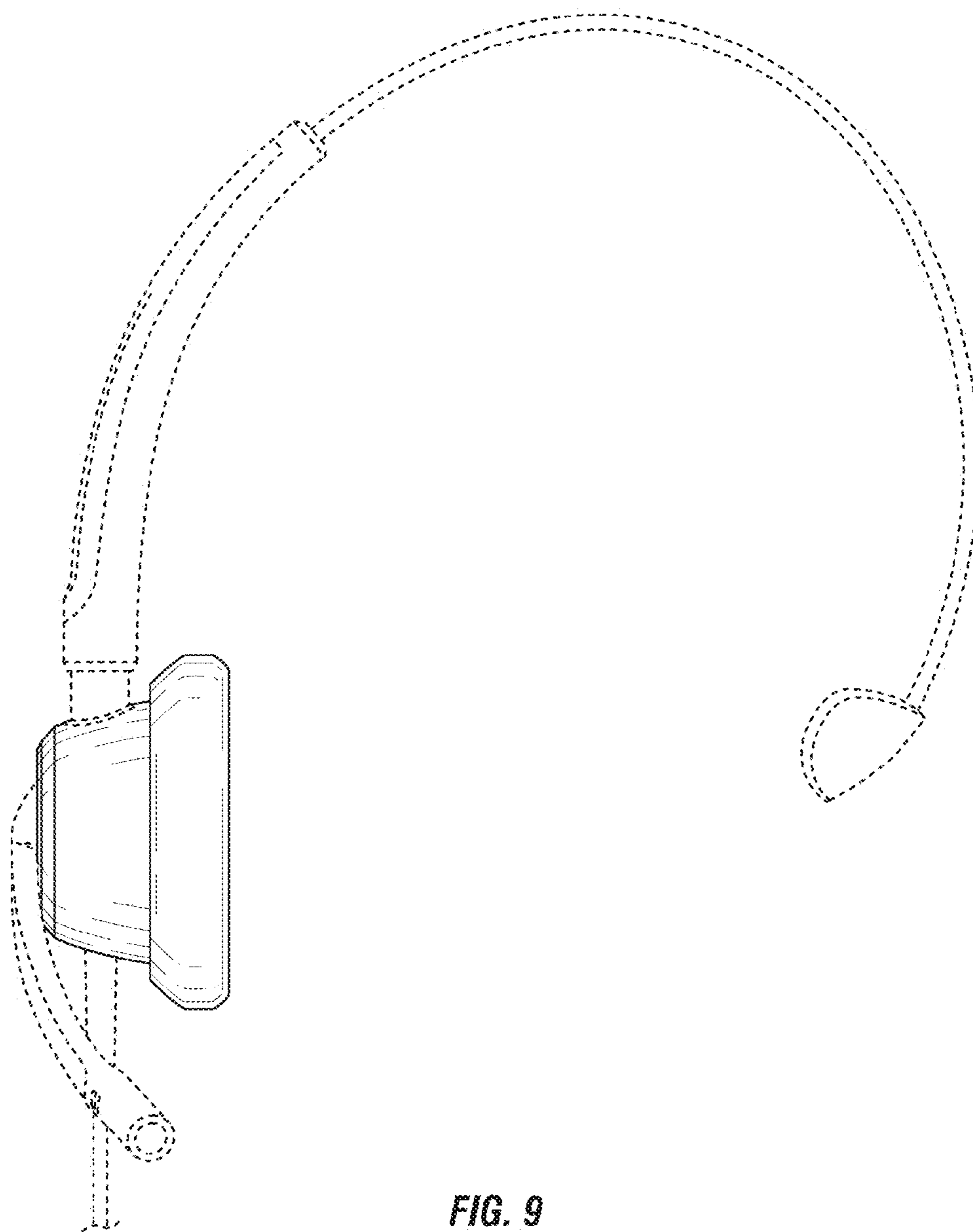


FIG. 9

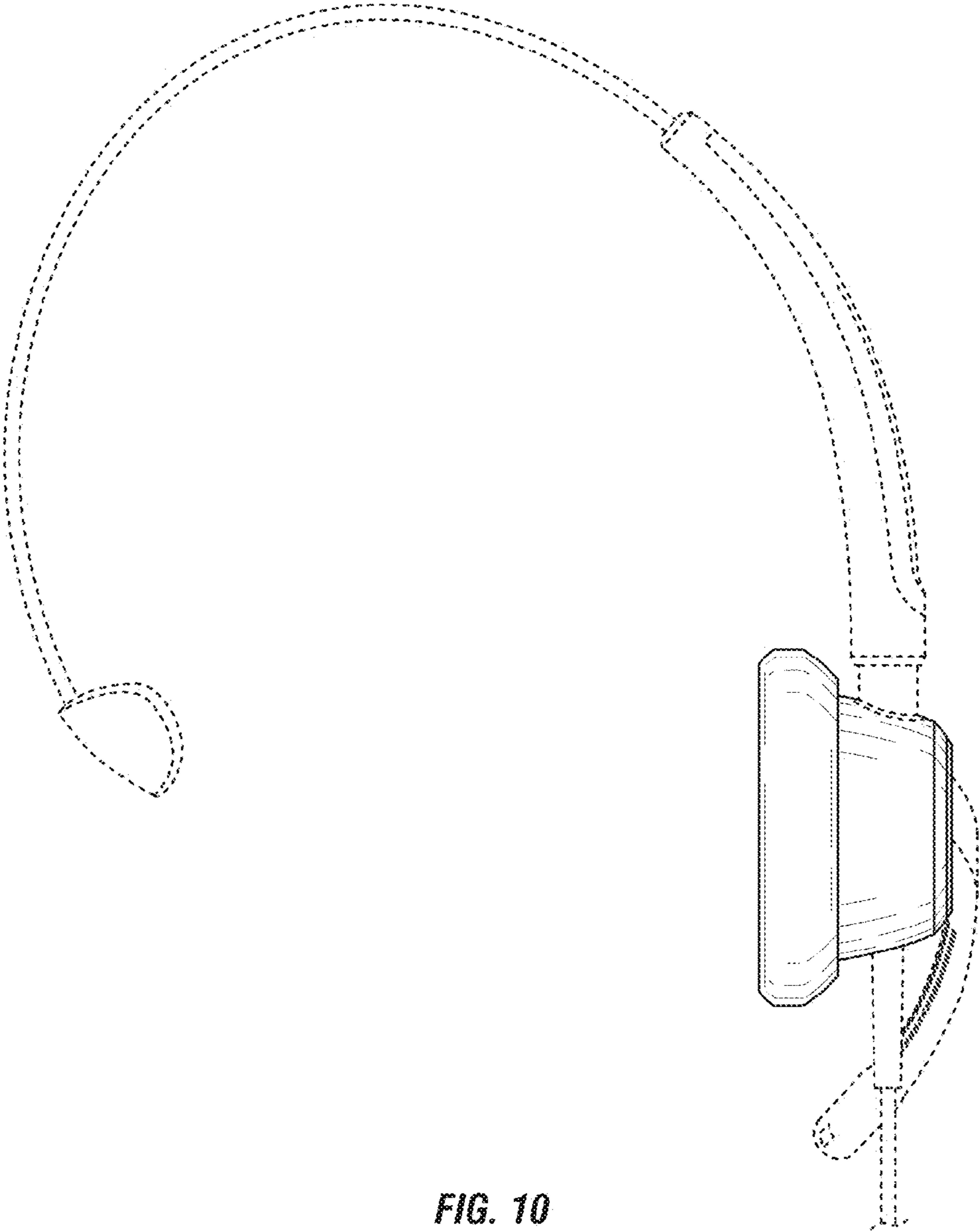


FIG. 10

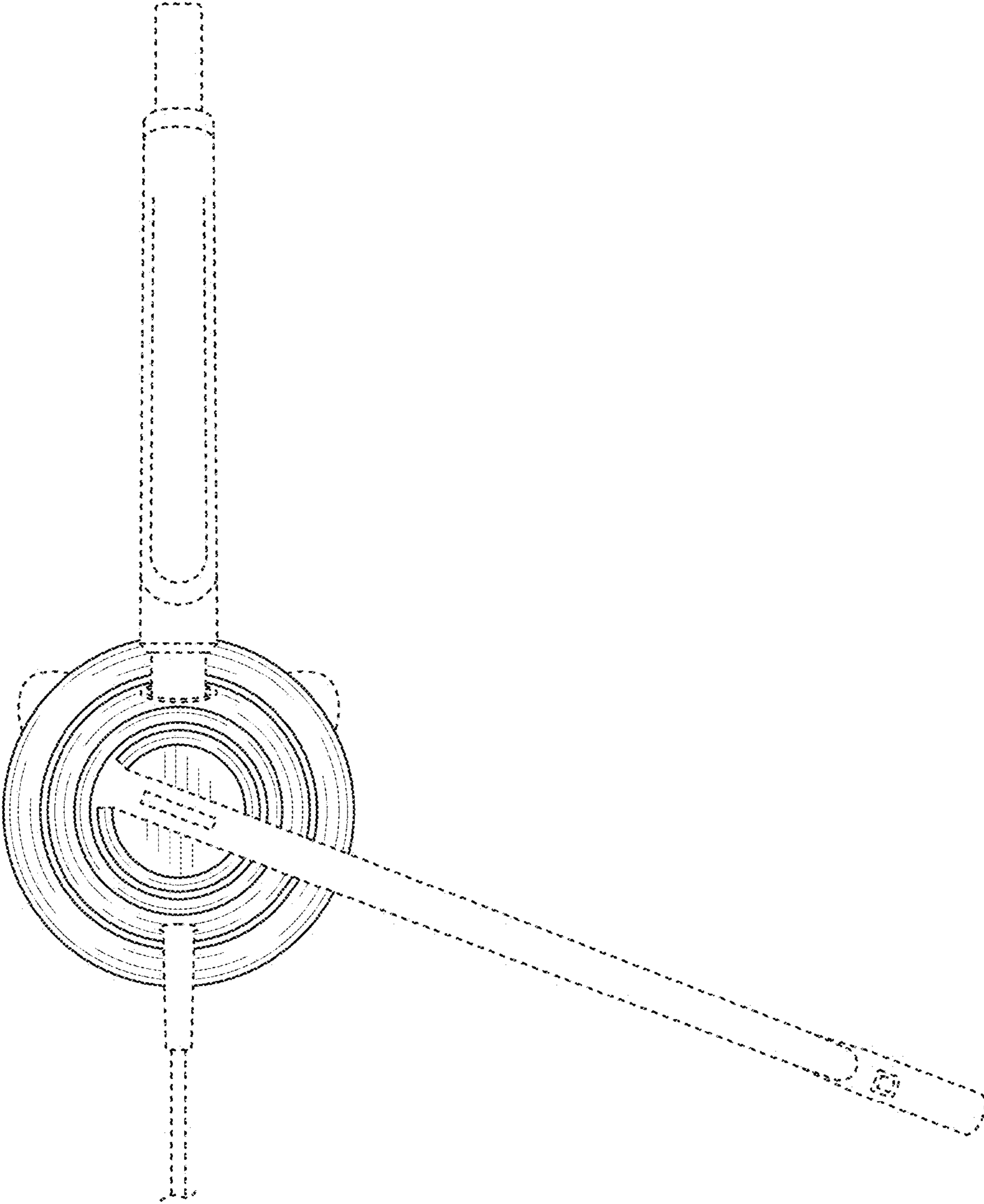


FIG. 11

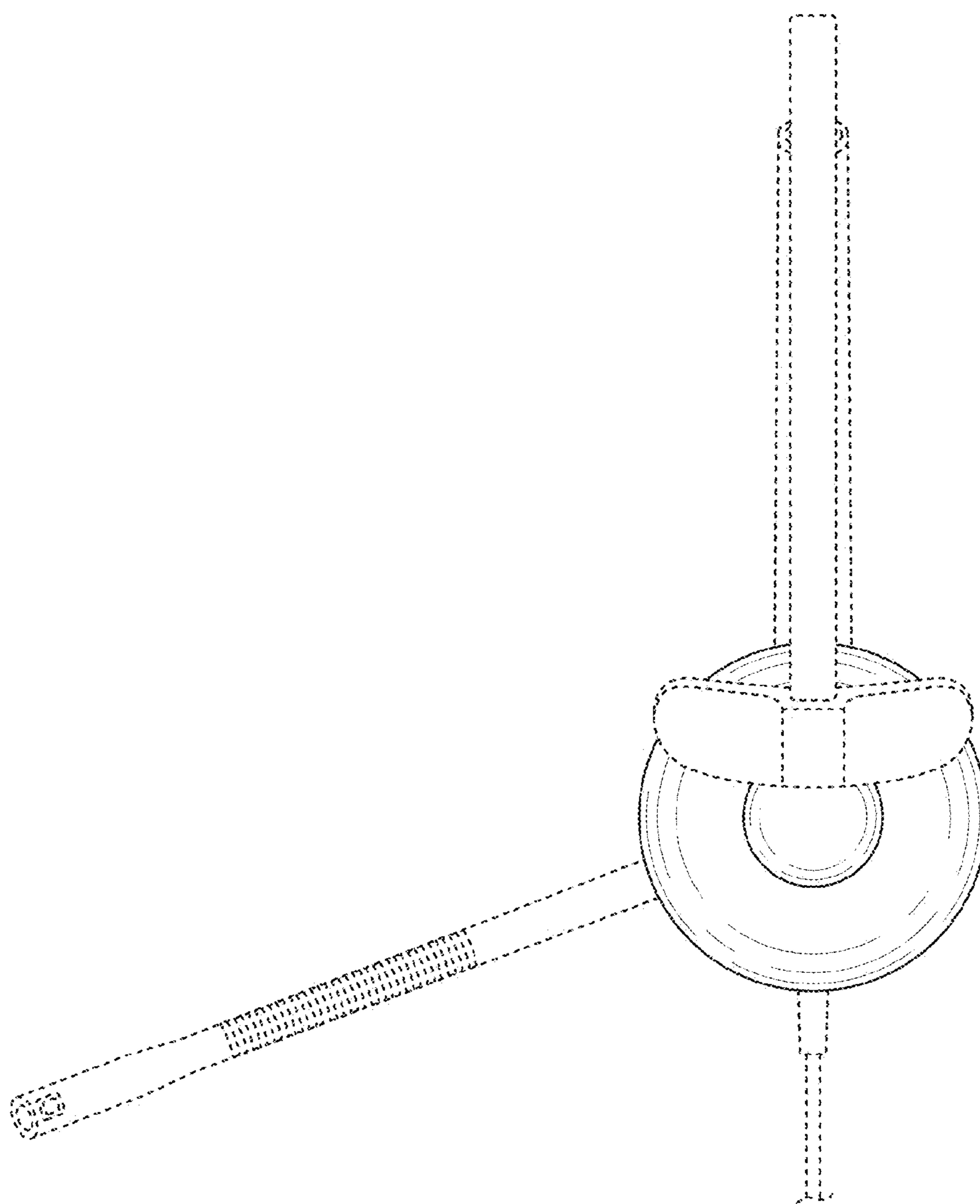


FIG. 12

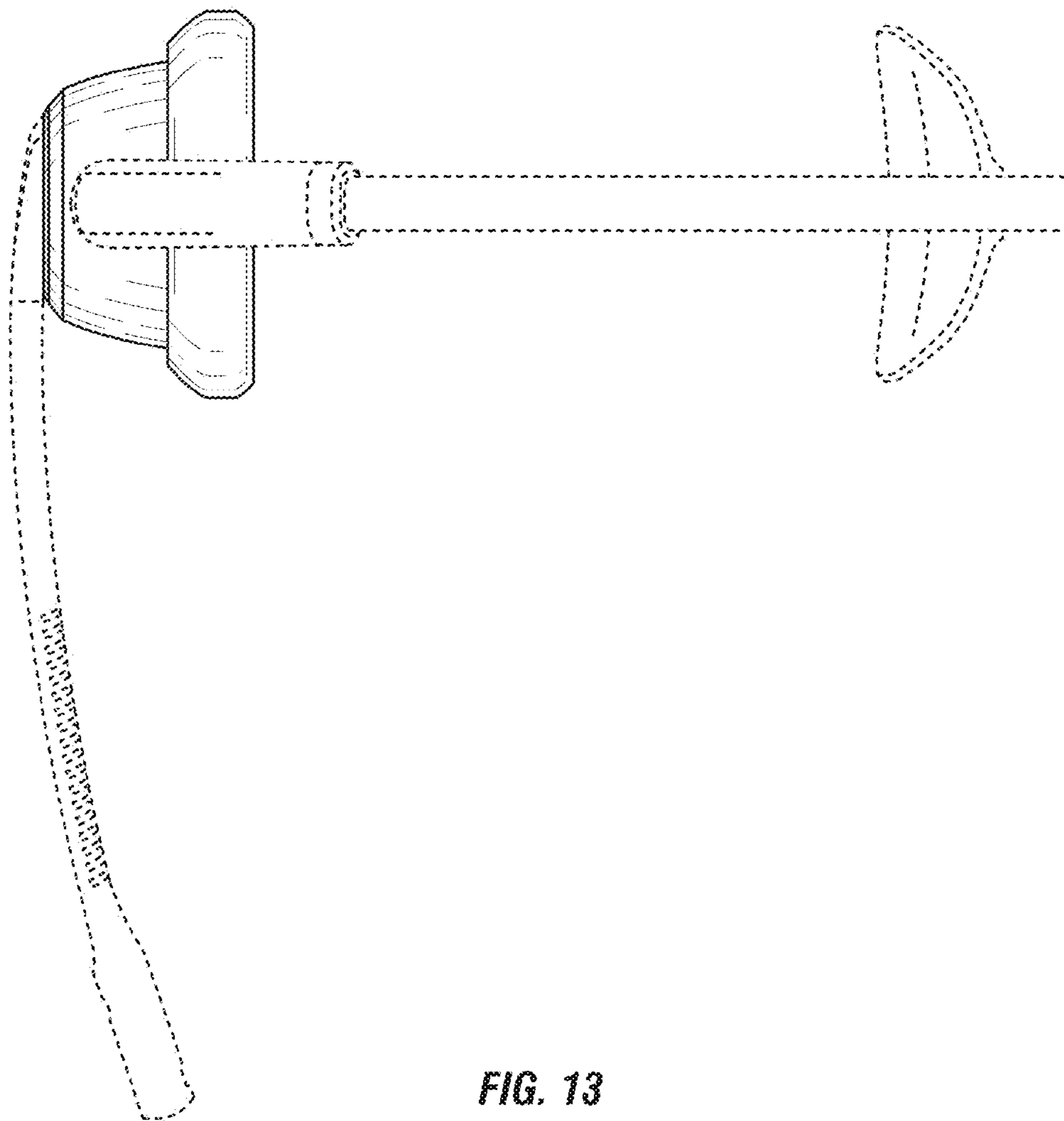


FIG. 13

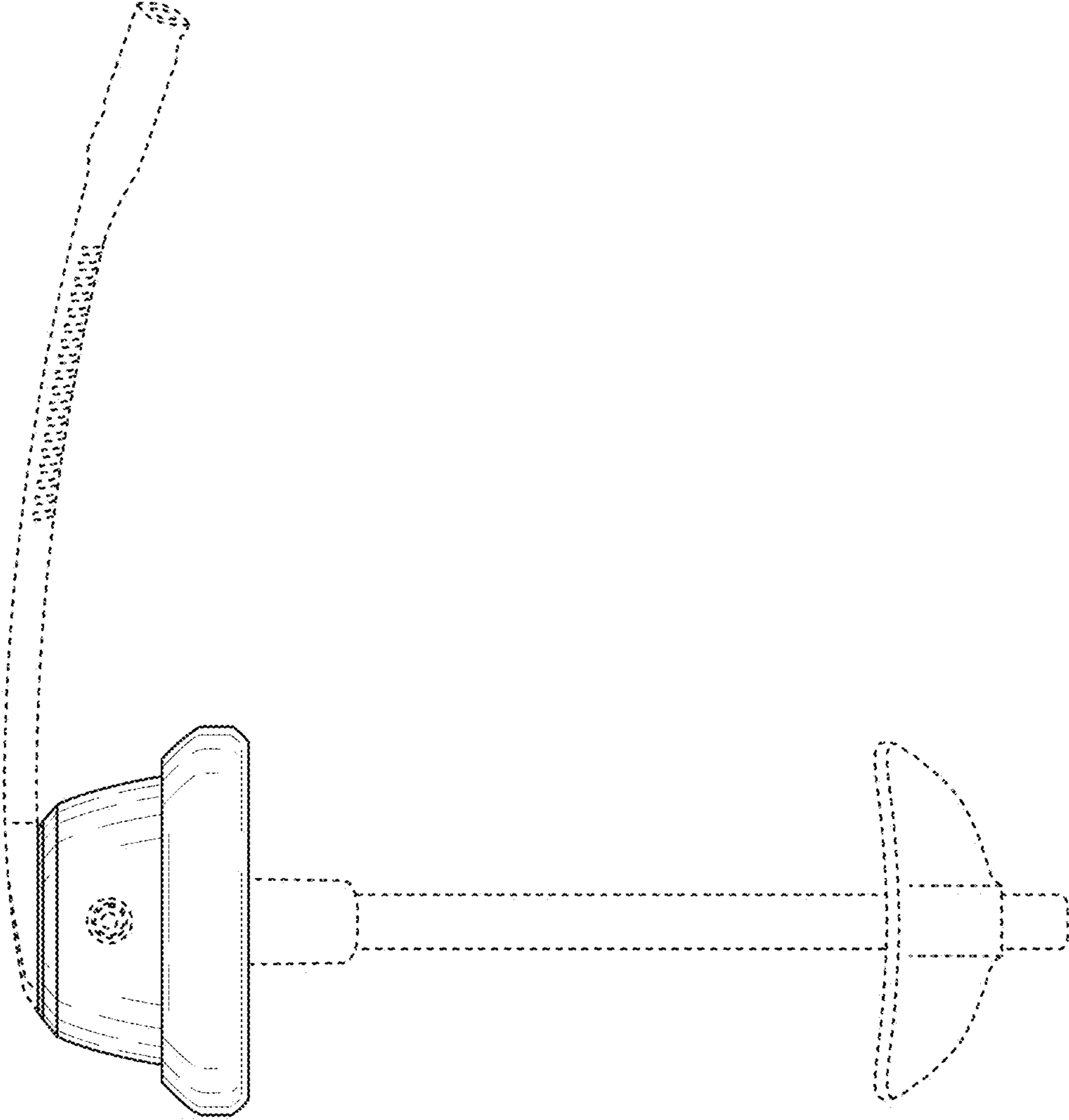


FIG. 14