



US00D719133S

(12) **United States Design Patent**
Gan

(10) **Patent No.:** **US D719,133 S**

(45) **Date of Patent:** **** Dec. 9, 2014**

(54) **HEADPHONE**

(71) Applicant: **Creative Technology Ltd**, Singapore (SG)

(72) Inventor: **Huey Ying Gan**, Singapore (SG)

(73) Assignee: **Creative Technology Ltd**, Singapore (SG)

(**) Term: **14 Years**

(21) Appl. No.: **29/460,012**

(22) Filed: **Jul. 6, 2013**

(30) **Foreign Application Priority Data**

Jan. 8, 2013 (SG) D2013/19/C

(51) **LOC (10) Cl.** **14-01**

(52) **U.S. Cl.**
USPC **D14/205**

(58) **Field of Classification Search**
USPC D14/205; D29/112; 2/209; 181/129,
181/130, 135; 379/430, 431; 381/370, 374,
381/380, 381; 455/90.3, 575.1
See application file for complete search history.

(56) **References Cited**

U.S. PATENT DOCUMENTS

D347,845 S * 6/1994 Sumikawa D14/205
D457,874 S * 5/2002 Yoneda D14/205

D508,483 S * 8/2005 Suzuki D14/223
D510,335 S * 10/2005 Suzuki D14/205
D549,688 S * 8/2007 Suzuki D14/205
D585,872 S * 2/2009 Lee D14/205
D597,070 S * 7/2009 Zheng D14/205
D600,674 S * 9/2009 Brennwald D14/205
D637,579 S * 5/2011 Hamaura et al. D14/205
7,940,924 B2 * 5/2011 Amae 379/430
D673,521 S * 1/2013 Yoneyama et al. D14/205
D673,522 S * 1/2013 Iijima D14/205
D691,583 S * 10/2013 Kitayama D14/205
D708,164 S * 7/2014 Ishikura D14/205

* cited by examiner

Primary Examiner — Paula Greene

(74) *Attorney, Agent, or Firm* — Russell Swerdon; Desmond Gean

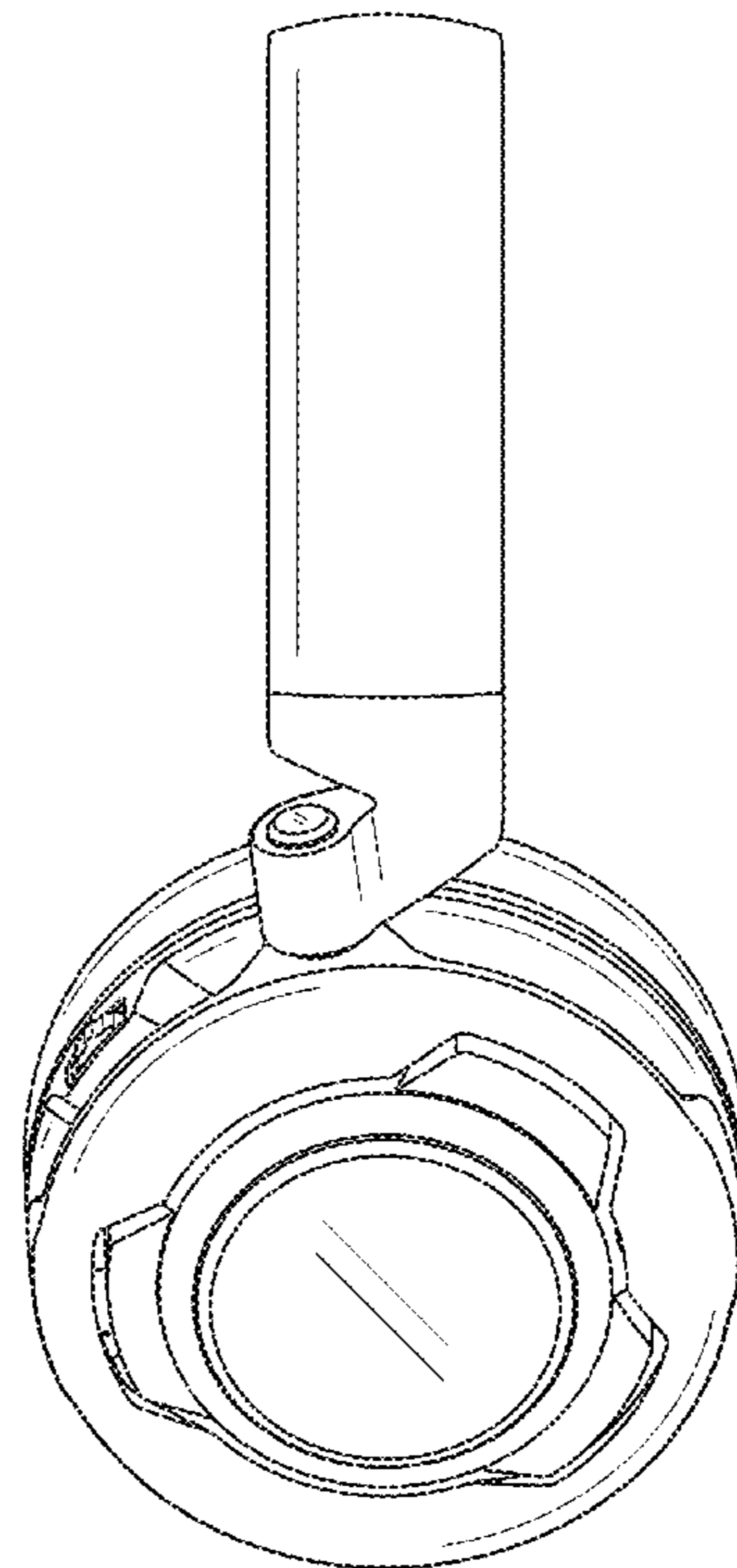
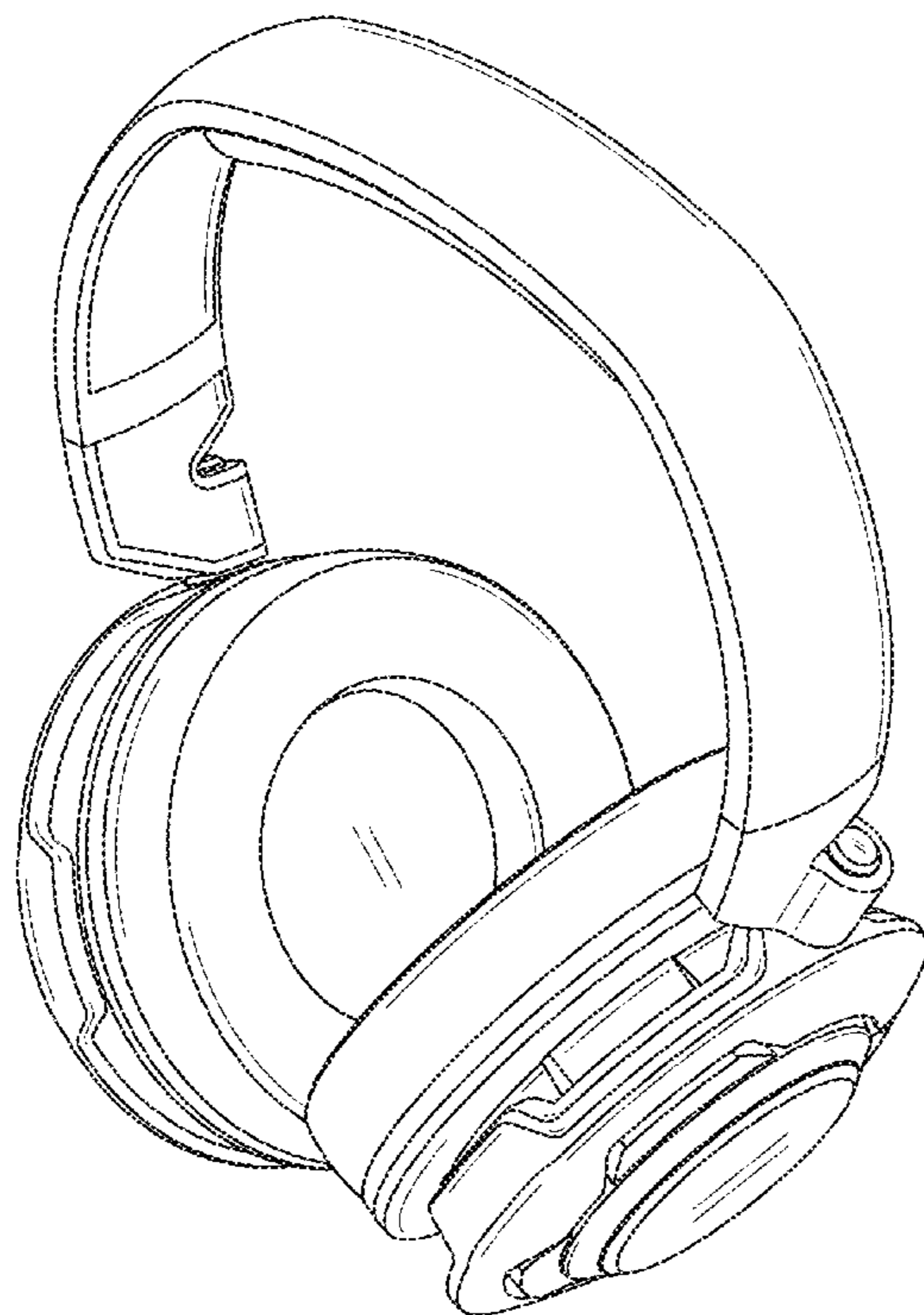
(57) **CLAIM**

The ornamental design for a headphone, substantially as shown and described.

DESCRIPTION

FIG. 1 is a front top right side perspective view of a headphone showing our new design;
FIG. 2 is a rear top left side perspective view thereof;
FIG. 3 is a front elevational view thereof;
FIG. 4 is a rear elevational view thereof;
FIG. 5 is a right side elevational view thereof;
FIG. 6 is a left side elevational view thereof;
FIG. 7 is a top plan view thereof; and,
FIG. 8 is a bottom plan view thereof.

1 Claim, 8 Drawing Sheets



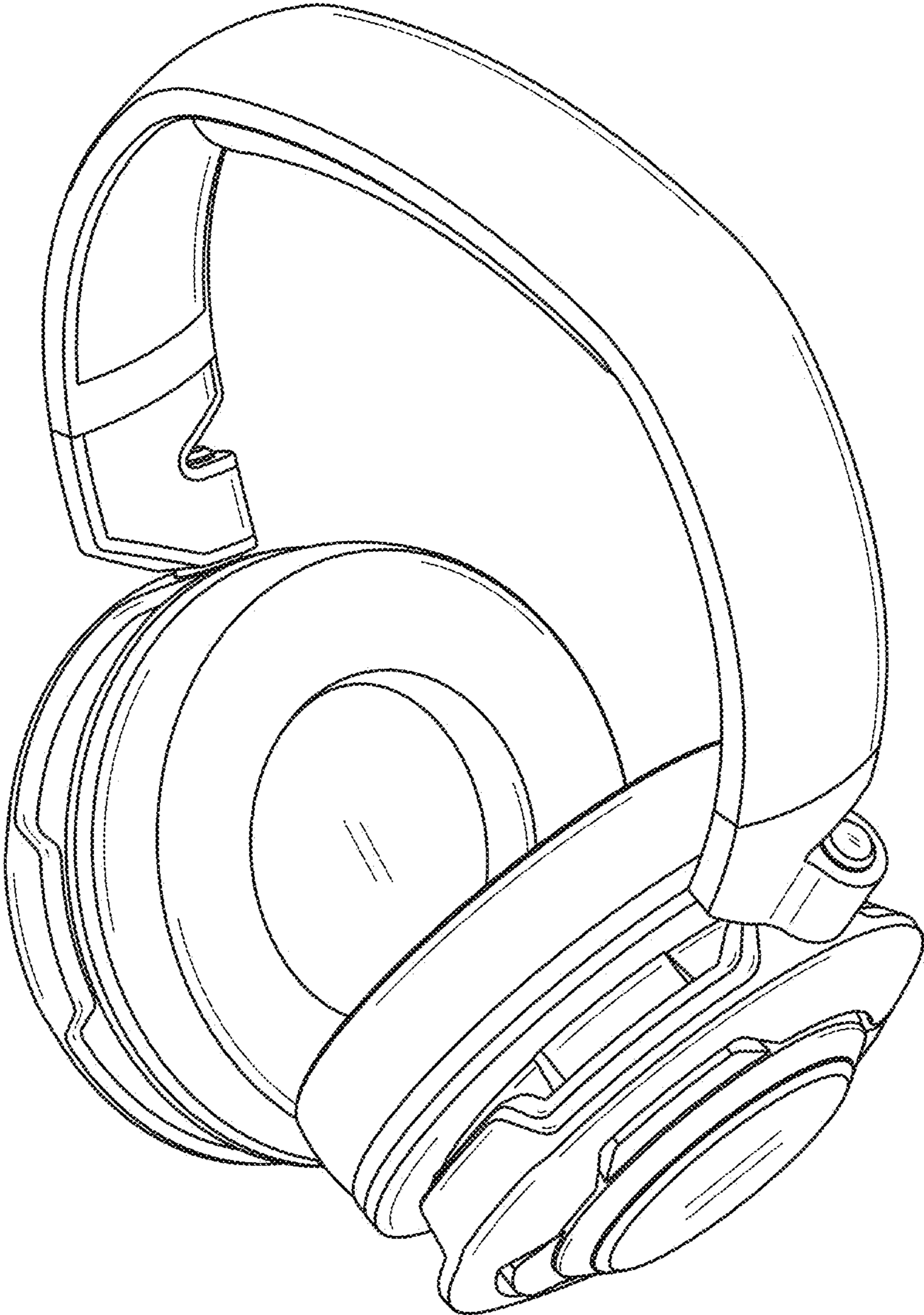


FIG. 1

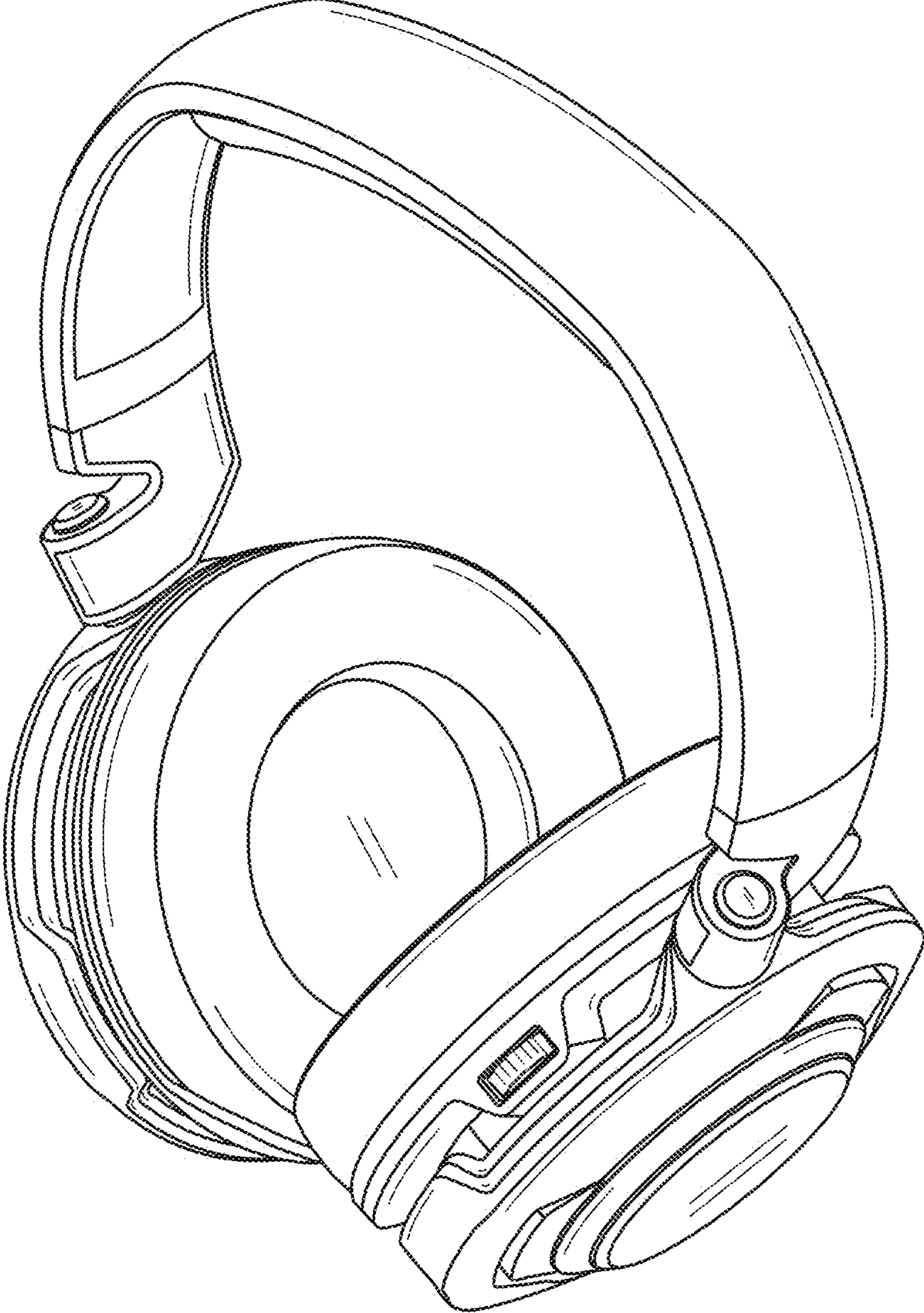


FIG. 2

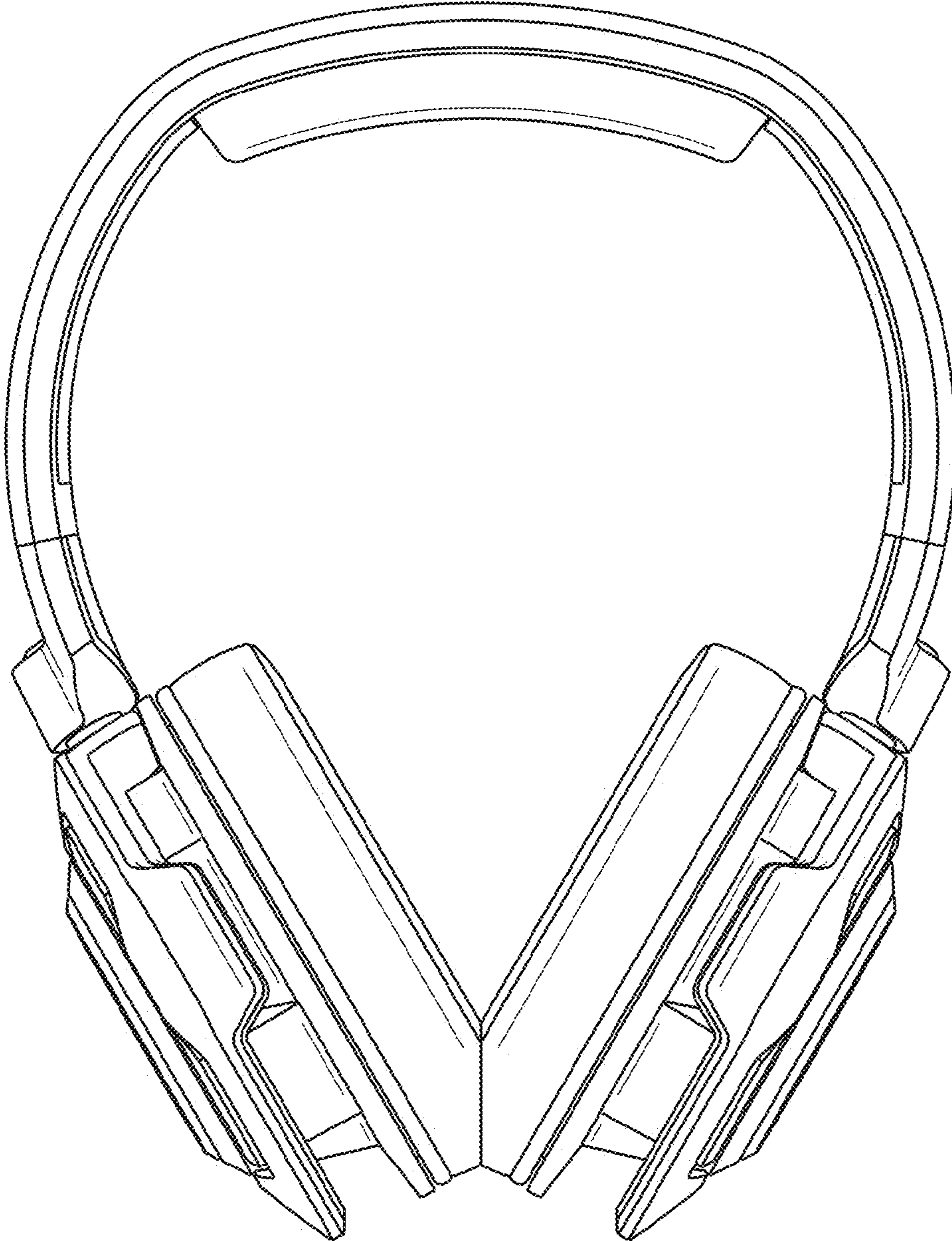


FIG. 3

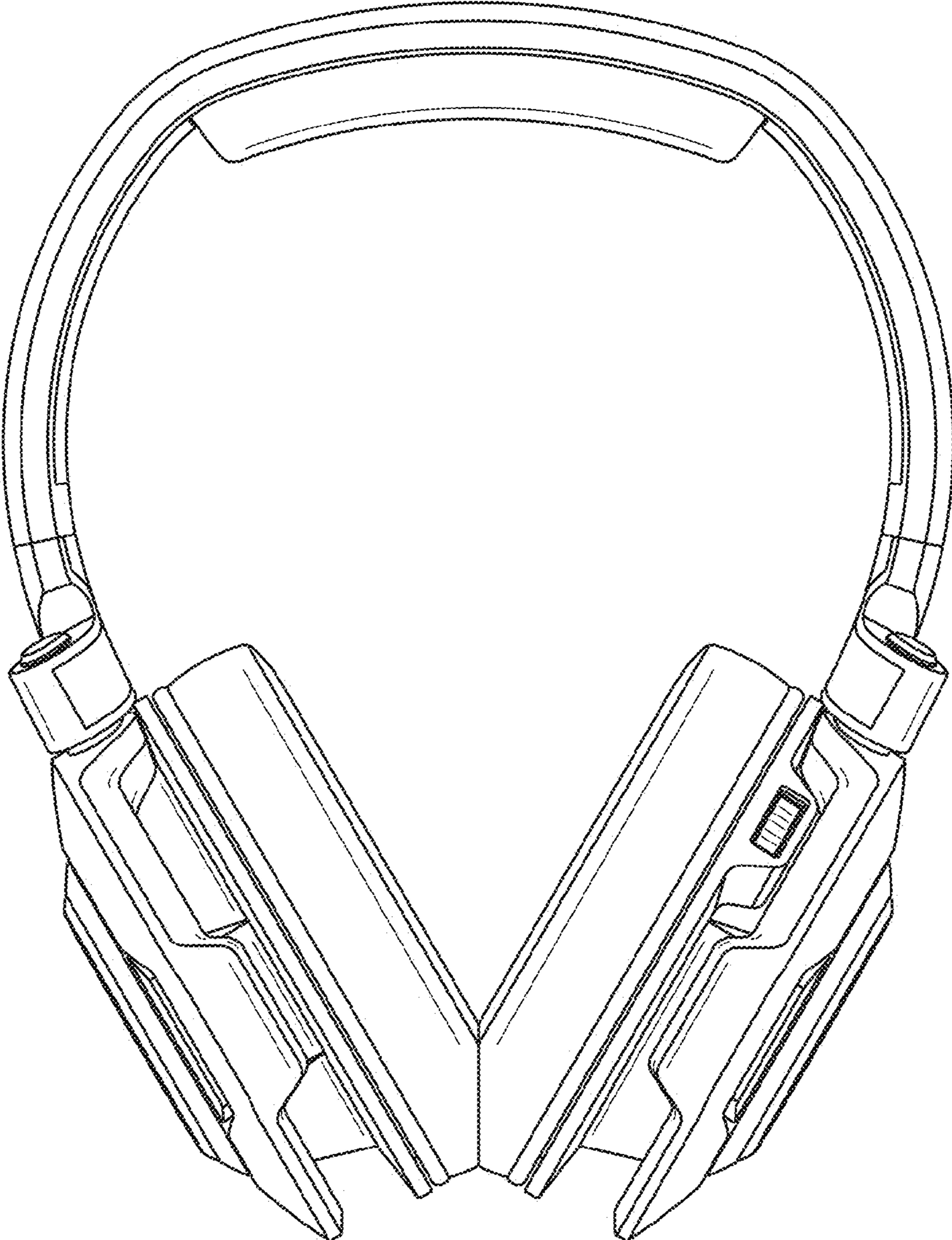


FIG. 4

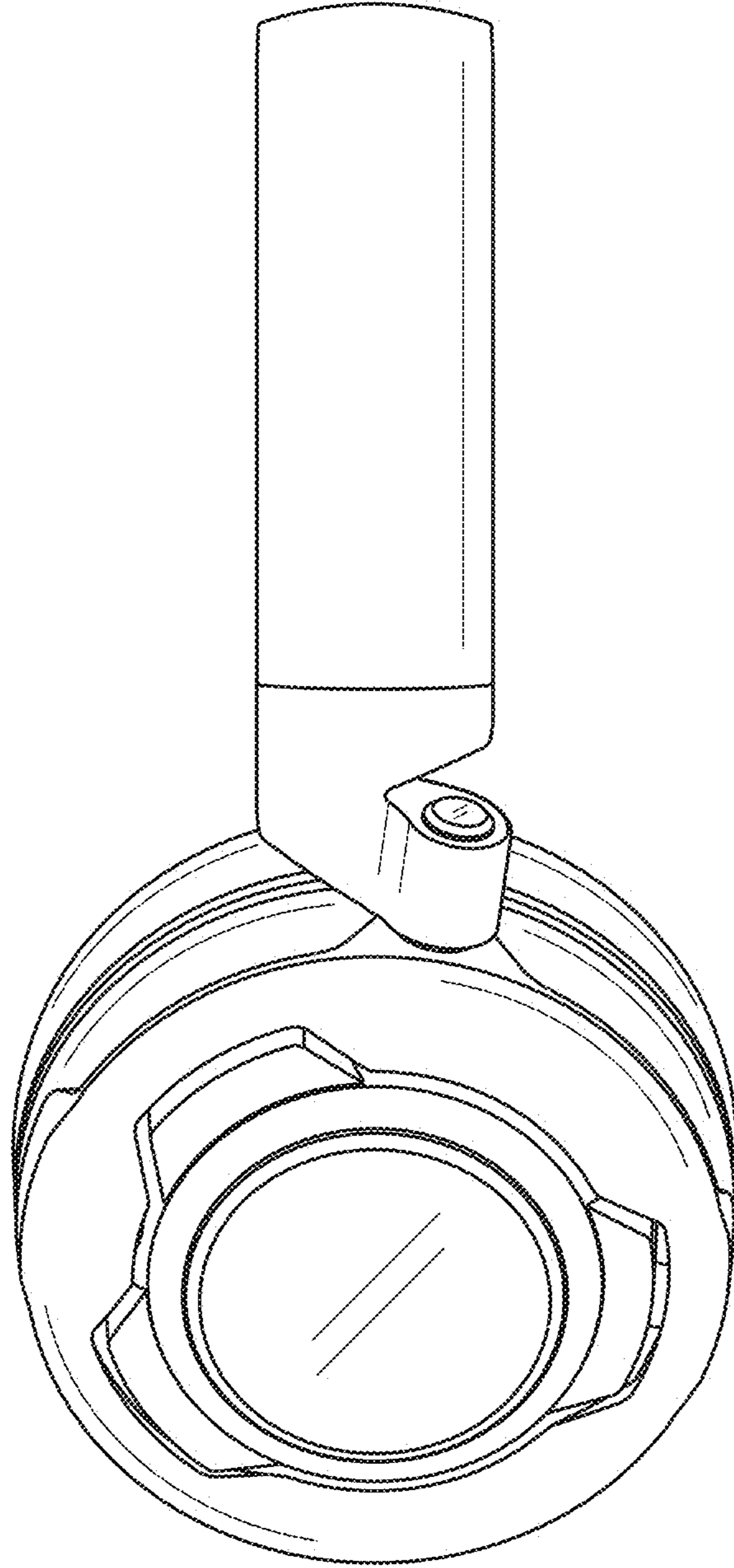


FIG. 5

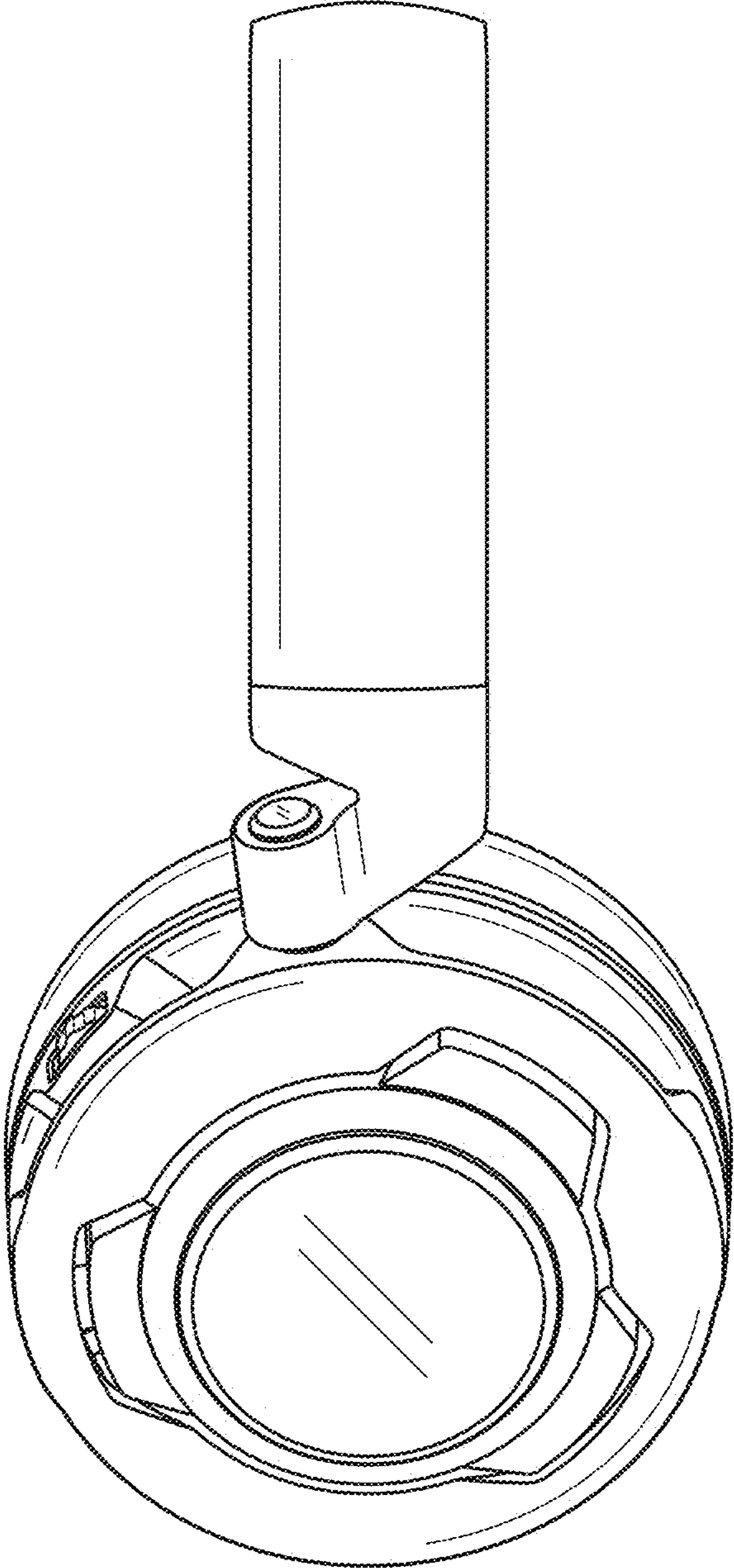


FIG. 6

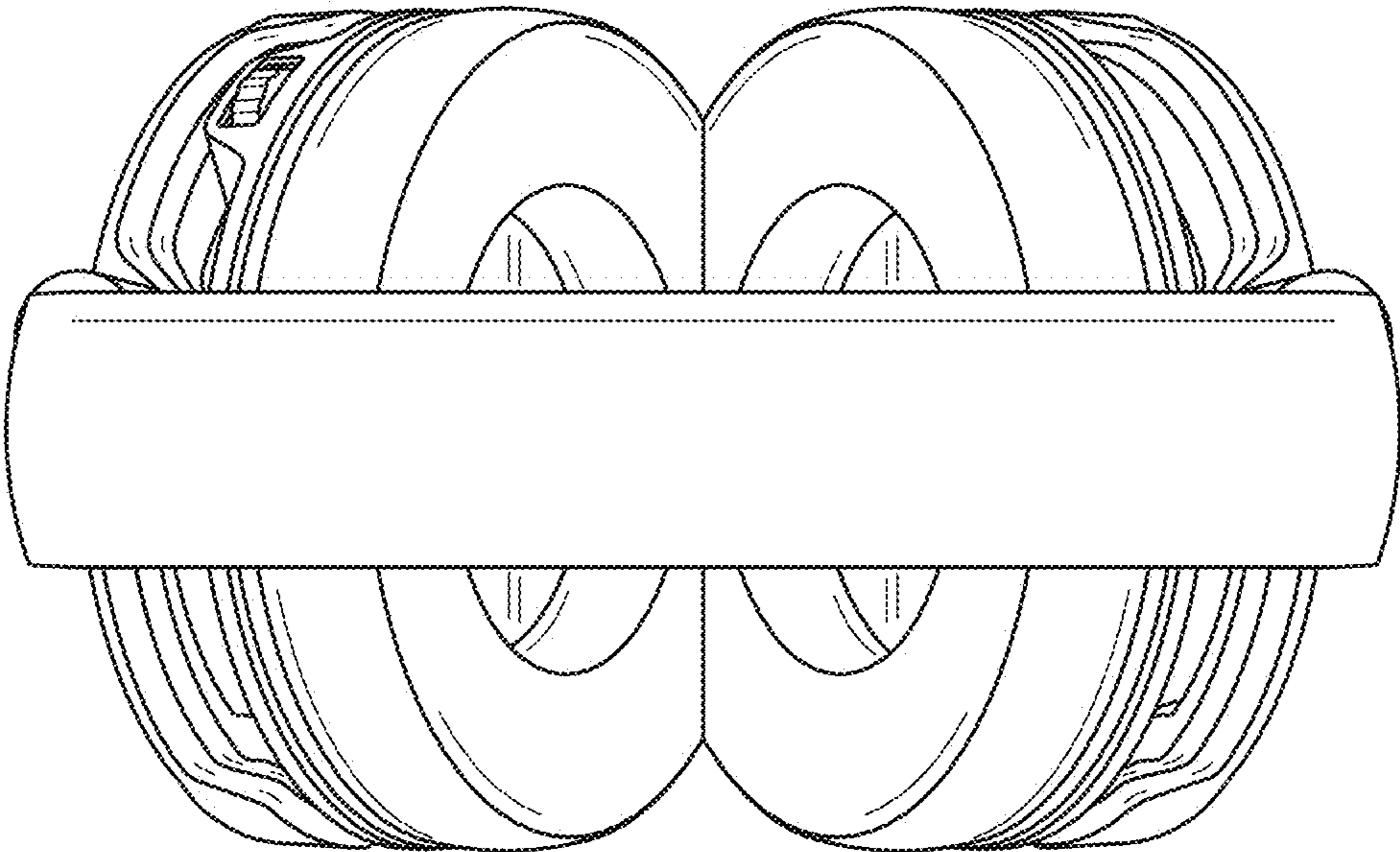


FIG. 7

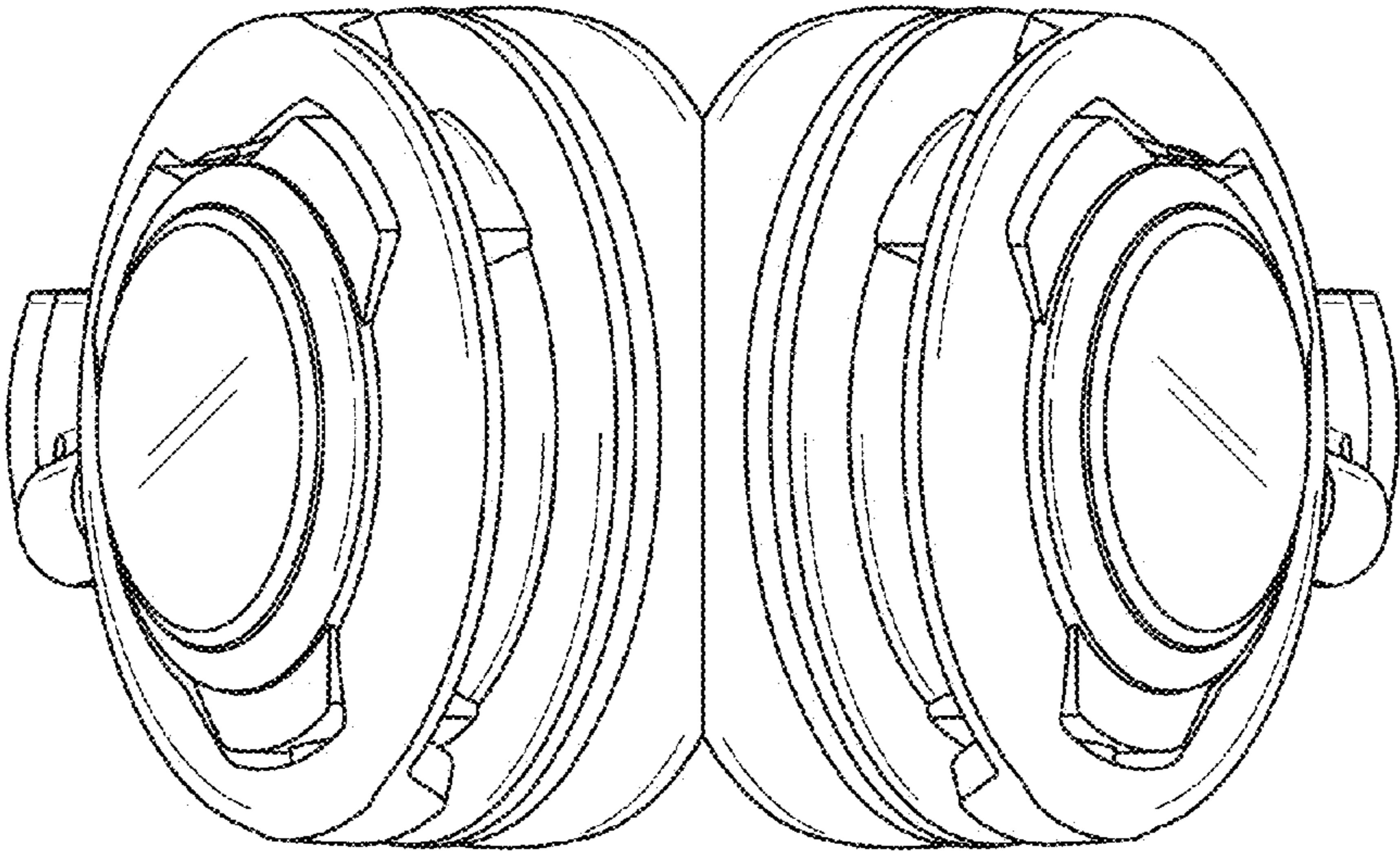


FIG. 8